



US00D395356S

United States Patent [19] Tang

[11] Patent Number: **Des. 395,356**
[45] Date of Patent: ****Jun. 23, 1998**

[54] URINE COLLECTION BAG SUPPORT

[76] Inventor: **Gordon Tang**, 13 Diamond 'S' Ranch,
Bellevue, Wash. 98004

[**] Term: **14 Years**

[21] Appl. No.: **63,165**

[22] Filed: **Nov. 27, 1996**

[51] LOC (6) Cl. **03-01**

[52] U.S. Cl. **D3/203**

[58] Field of Search **D3/203, 215, 318;**
224/163, 222, 660, 661-667, 230, 237;
D24/122, 127, 128; 604/331, 343, 345,
355; 206/828, 438

5,383,867	1/1995	Klinger	604/385.1
5,399,176	3/1995	Chen	604/385.1
5,401,266	3/1995	Runeman et al.	604/378
5,429,622	7/1995	Chung	604/312
5,462,541	10/1995	Bruemmer et al.	604/391
5,486,168	1/1996	Runeman et al.	604/385.1
5,570,827	11/1996	Wiesner	224/269 X

FOREIGN PATENT DOCUMENTS

69946	9/1892	Germany .	
325102	6/1970	Sweden	A61G 9/00
7908400-0	12/1982	Sweden	A61F 5/44

Primary Examiner—Prabhakar G. Deshmukh
Attorney, Agent, or Firm—Vance, Romero & Montague,
P.S.

[56] References Cited

U.S. PATENT DOCUMENTS

D. 319,922	9/1991	Flake	D3/203
D. 328,953	8/1992	Garcia	D24/127
D. 331,460	12/1992	Mulder	D24/127
D. 377,115	1/1997	Ferlend et al.	D3/203
1,228,452	6/1917	Lawrence .	
3,295,145	1/1967	Ericson	4/110
3,621,846	11/1971	Lehman	128/159
3,721,243	3/1973	Hesterman et al.	128/295
4,073,295	2/1978	Laufbahn	128/295
4,122,851	10/1978	Grossner	128/295
4,197,849	4/1980	Bostick	128/295
4,437,860	3/1984	Sigl et al.	604/385
4,453,938	6/1984	Brendling	604/346
4,500,314	2/1985	Brendling	604/346
4,511,358	4/1985	Johnson, Jr. et al.	604/327
4,627,846	12/1986	Ternstrom	604/349
4,713,066	12/1987	Komis	604/353
4,796,790	1/1989	Hamilton	206/828 X
4,846,816	7/1989	Manfredi	604/323
4,903,745	2/1990	Roman	224/269 X
5,009,649	4/1991	Goulter et al.	604/351
5,032,118	7/1991	Mason	604/349
5,074,853	12/1991	Bryant	604/349
5,176,666	1/1993	Conway et al.	604/349
5,193,553	3/1993	Kalinoski	128/767
5,275,592	1/1994	Grizzaffi	604/396
5,291,617	3/1994	Moretz et al.	2/400
5,300,052	4/1994	Kubo	604/349
5,375,265	12/1994	Selzer	2/242

[57] CLAIM

The ornamental design for a urine collection bag support, as shown and described.

DESCRIPTION

FIG. 1 is front elevational view of an urine collection bag support showing my new design;

FIG. 2 is a front elevational view thereof; with supporting belt shown in loose condition;

FIG. 3 is a rear elevational view thereof;

FIG. 4 is a left side elevational view thereof;

FIG. 5 is a right side elevational view thereof;

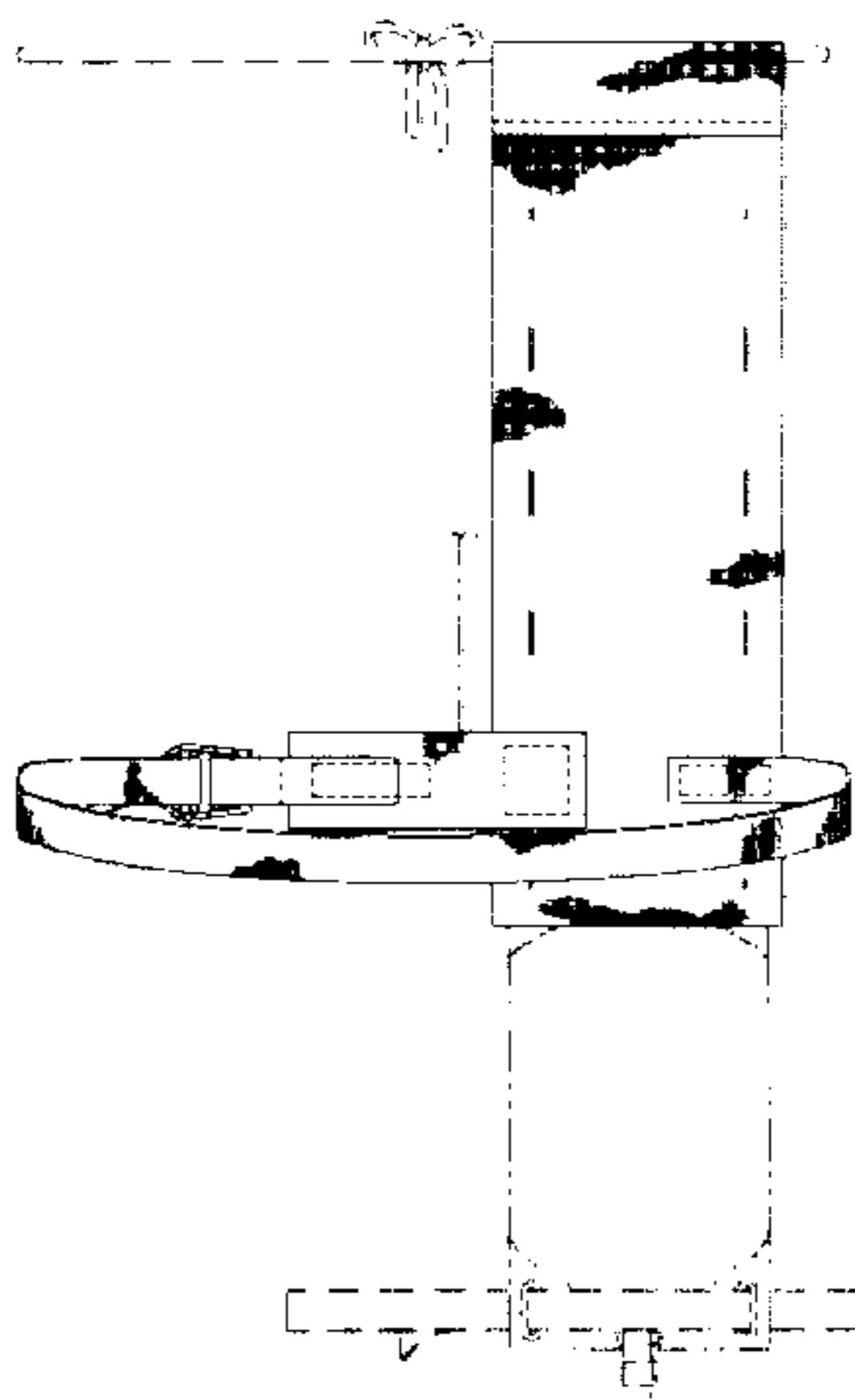
FIG. 6 is a top plan view thereof;

FIG. 7 is a bottom plan view thereof;

FIG. 8 is an enlarged scale side elevational view of a partial urine collection bag support showing a shortened length with folded urine collection bag support and a button inserted through a button hole;

FIG. 9 is a partial front elevational view thereof, showing an alternative attachment of cords in lieu of buttons and button holes; and,

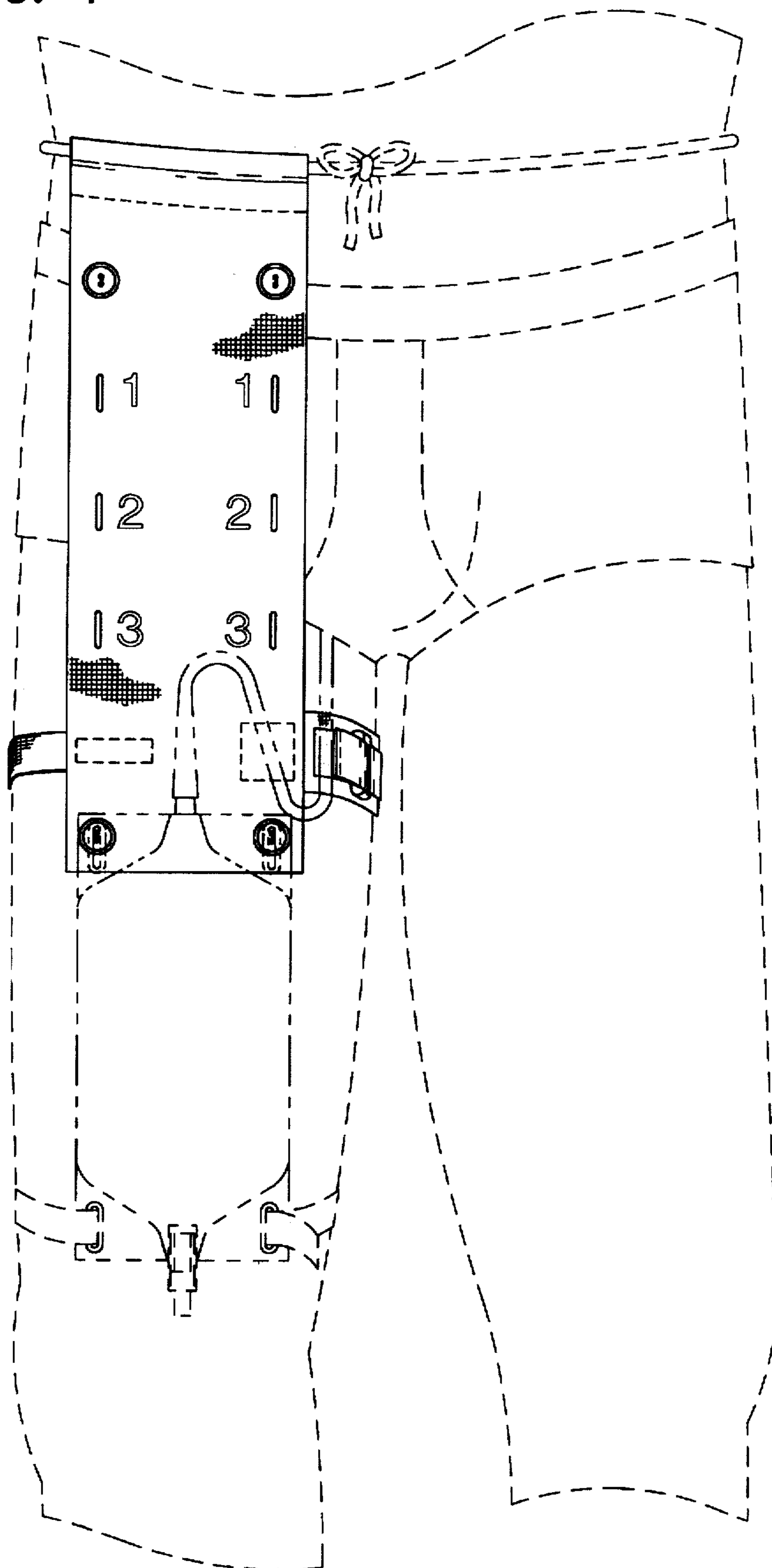
FIG. 10 is an enlarged scale elevational view of a partial urine collection bag support of FIG. 9 showing an alternative shortened length with folded urine collection bag support and tied cords in lieu of buttons and button holes.

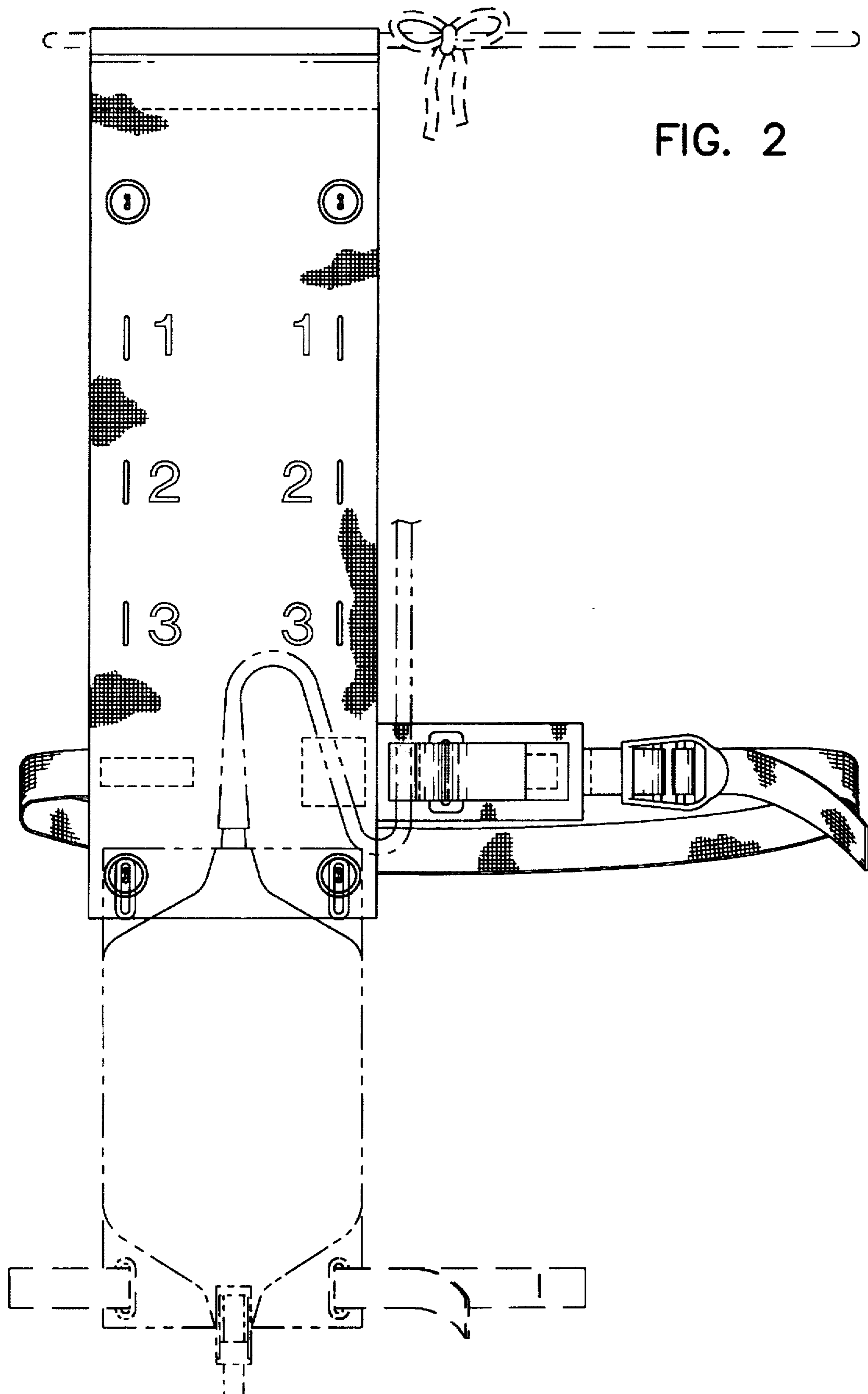


The broken lines showing a human figure, a urine bag, a catheter tube, and a waist belt are for illustrative purposes only and form no part of the Claim. Other broken lines on the claimed design represents stitch lines. FIGS. 2, 3, 4, 5, 6, 7, 8, 9 and 10 are shown in an enlarged scale with respect to FIG. 1.

1 Claim, 7 Drawing Sheets

FIG. 1





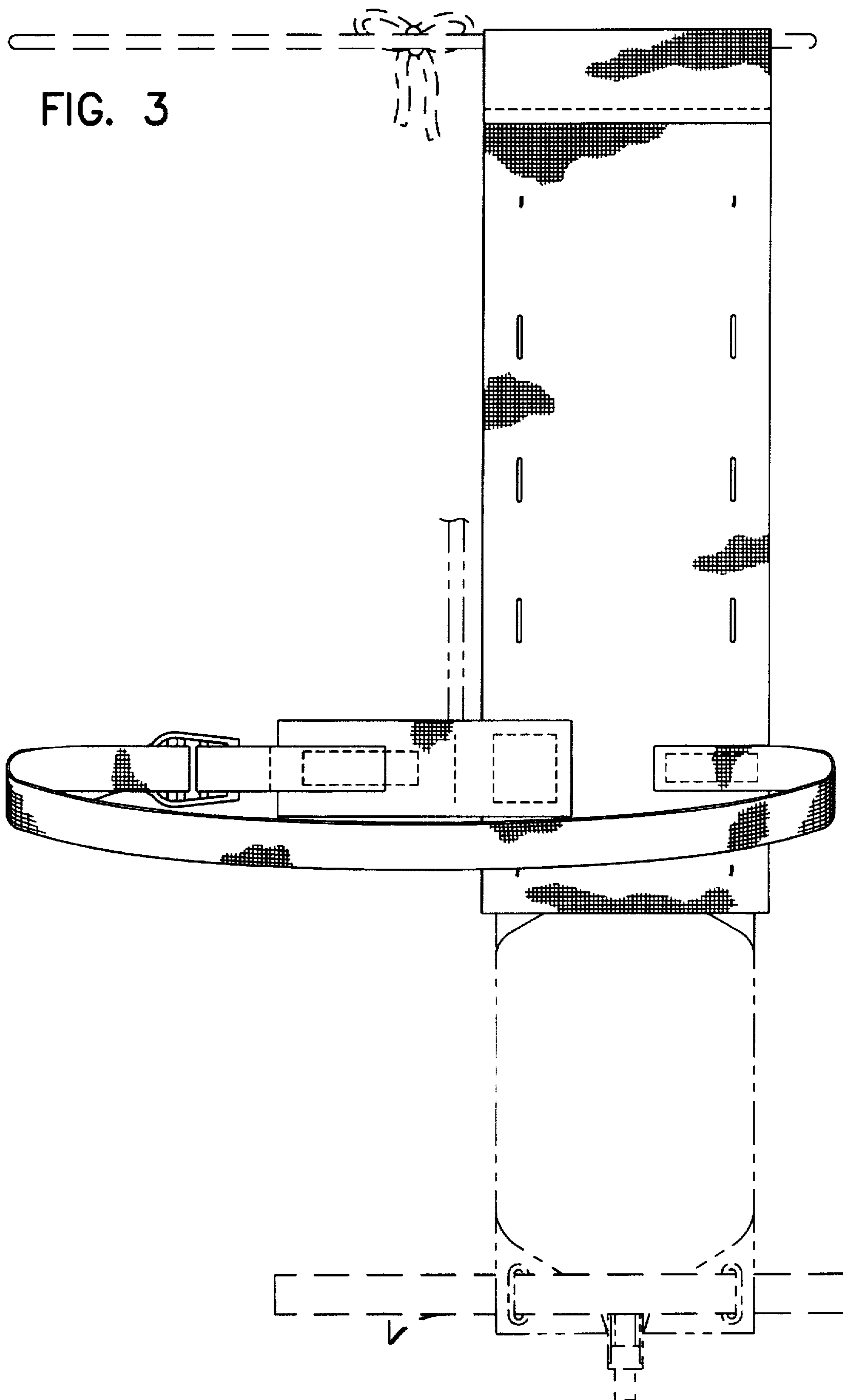


FIG. 4

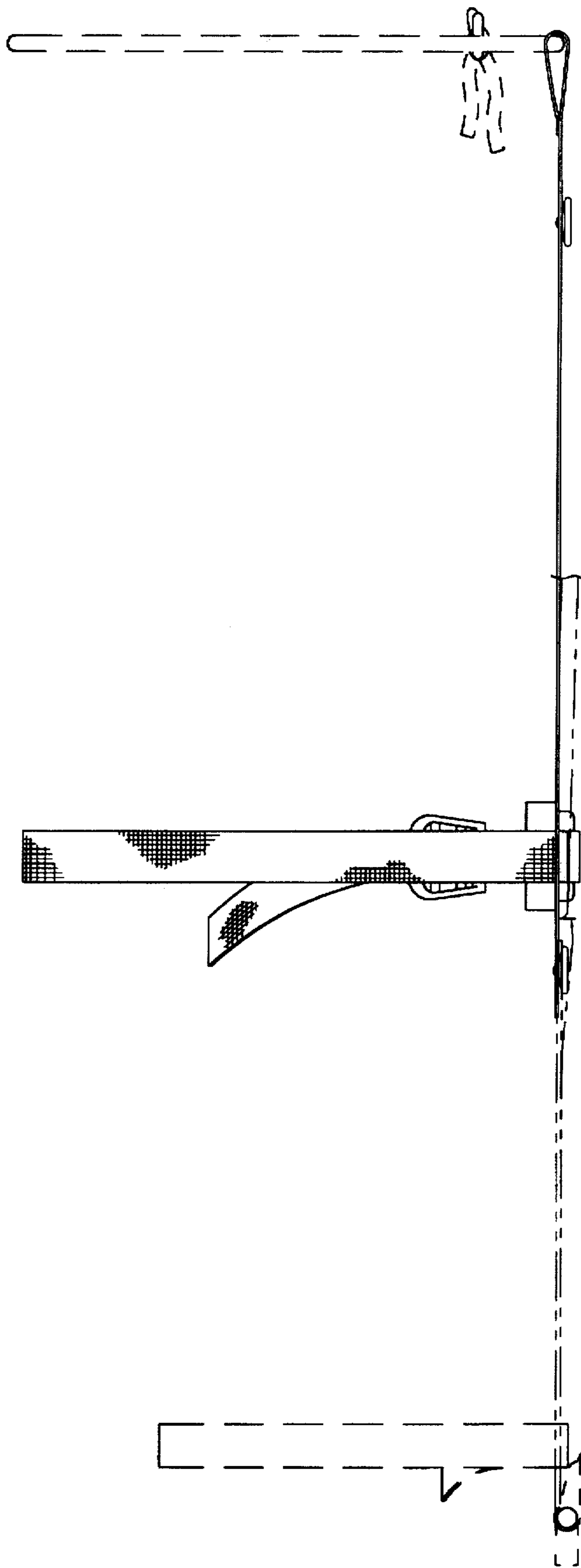


FIG. 5

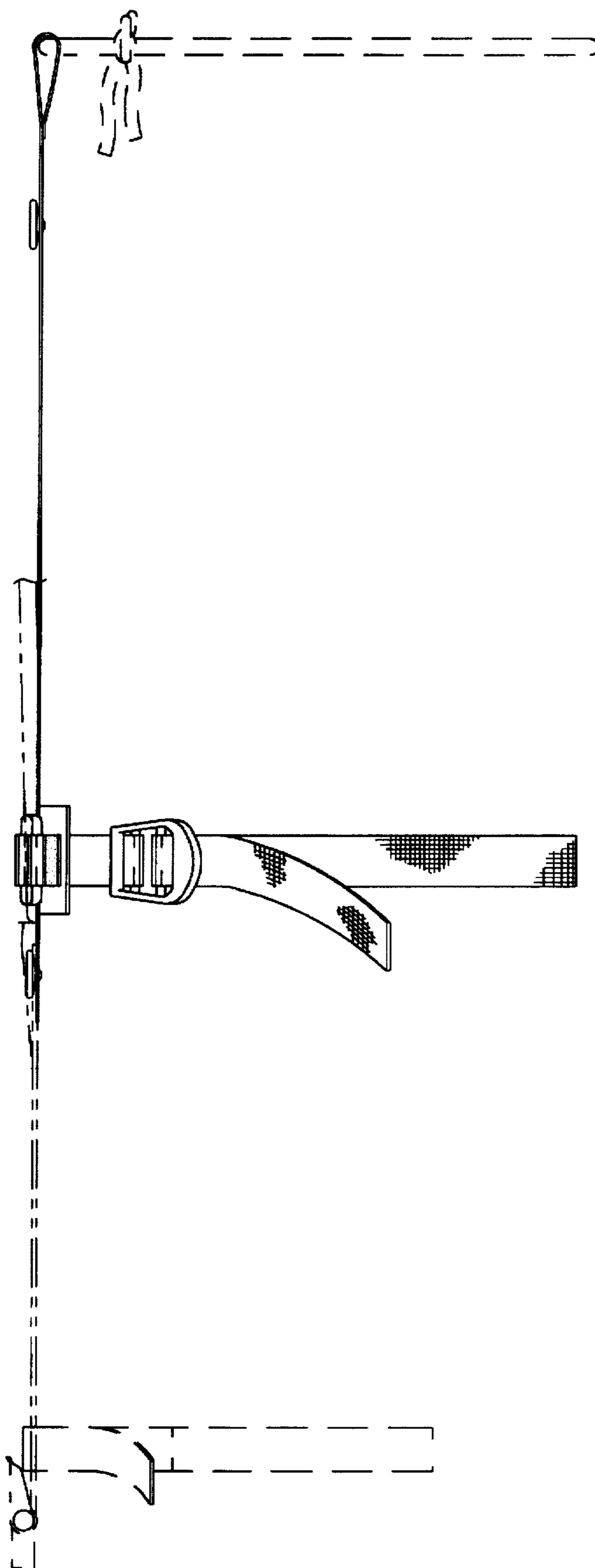


FIG. 6

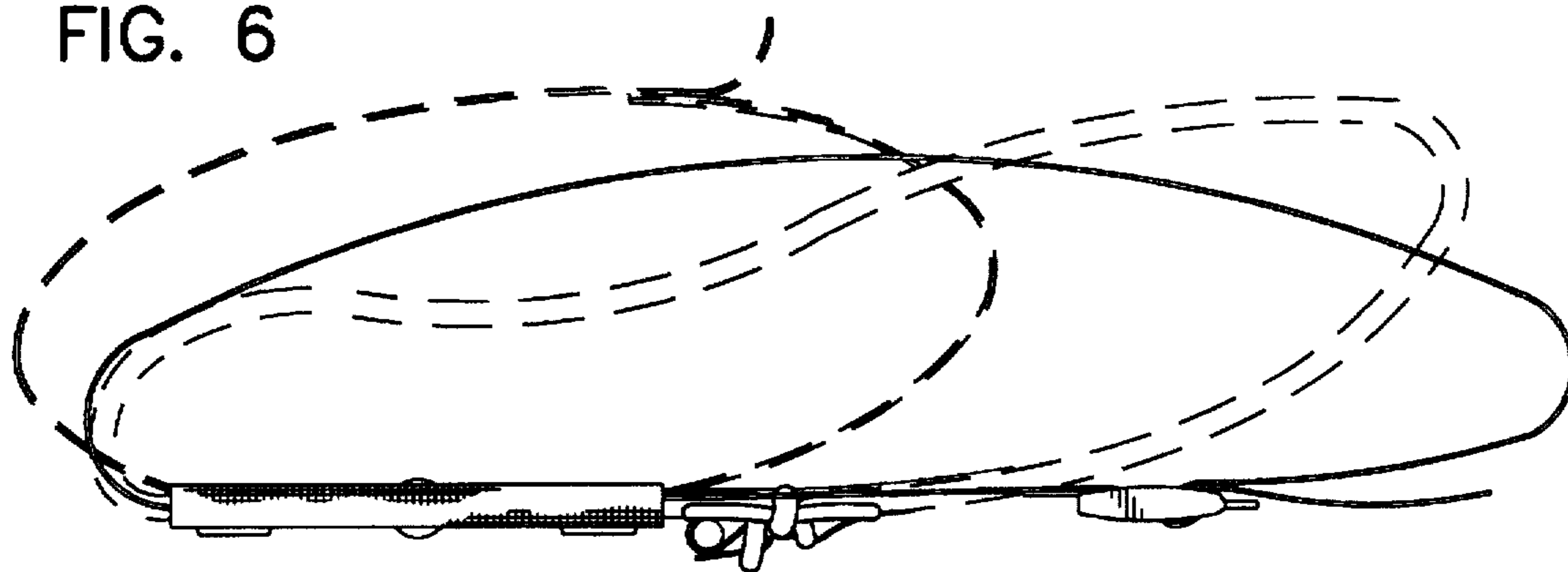


FIG. 7

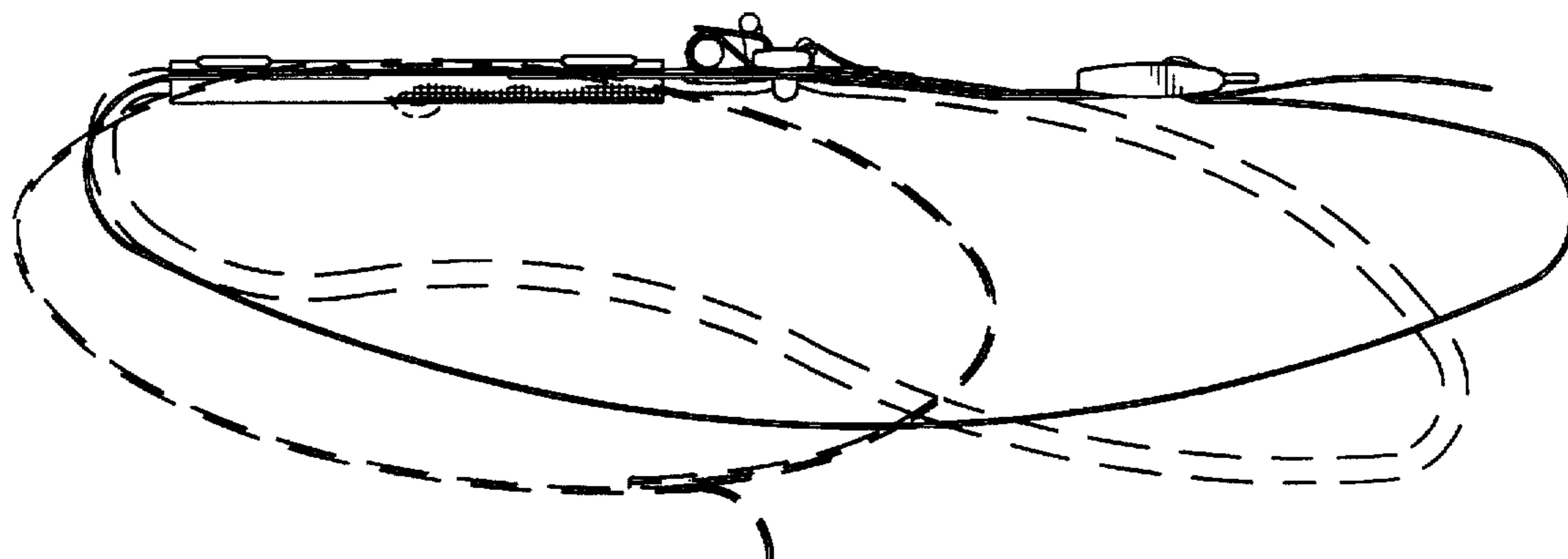


FIG. 8

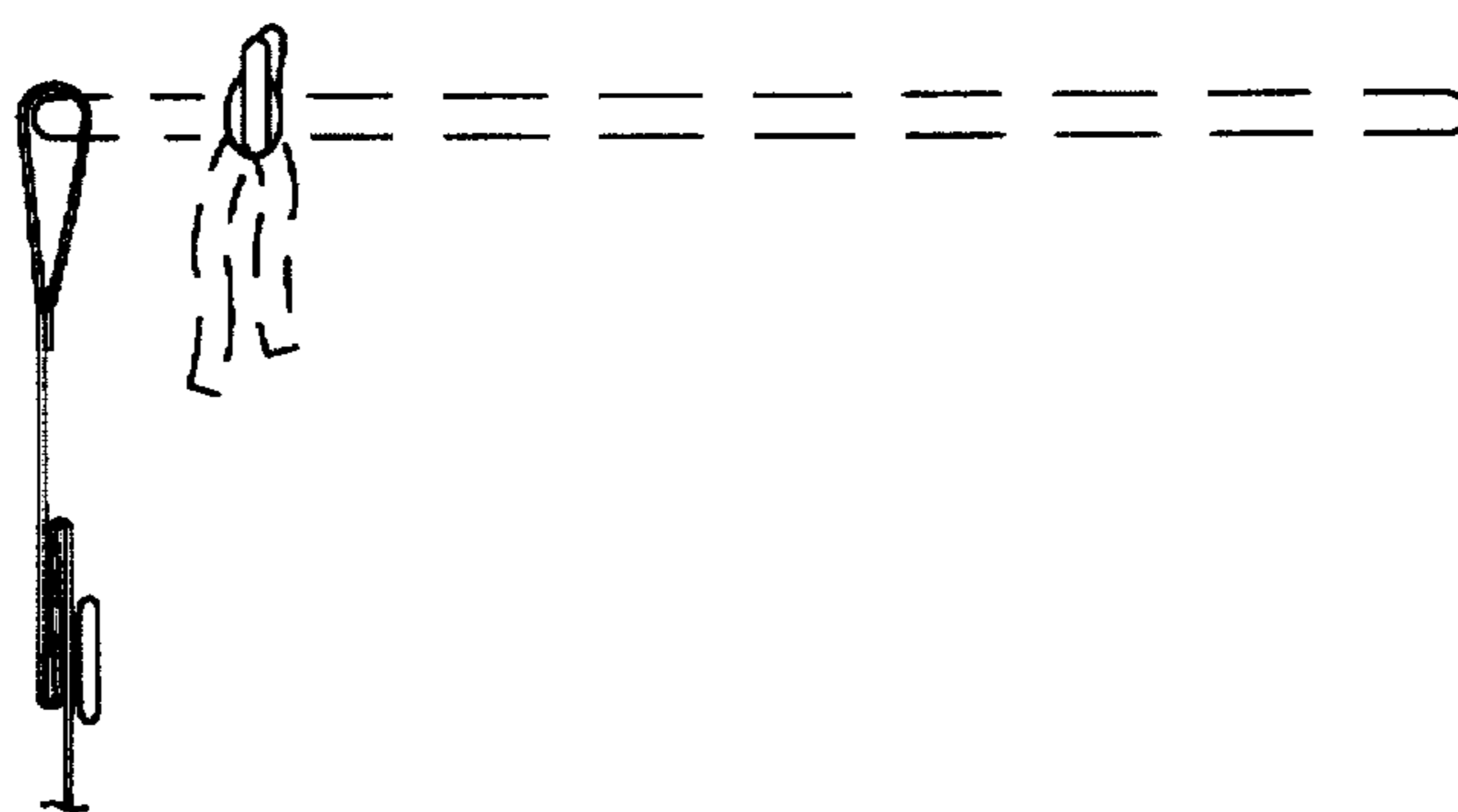


FIG. 9

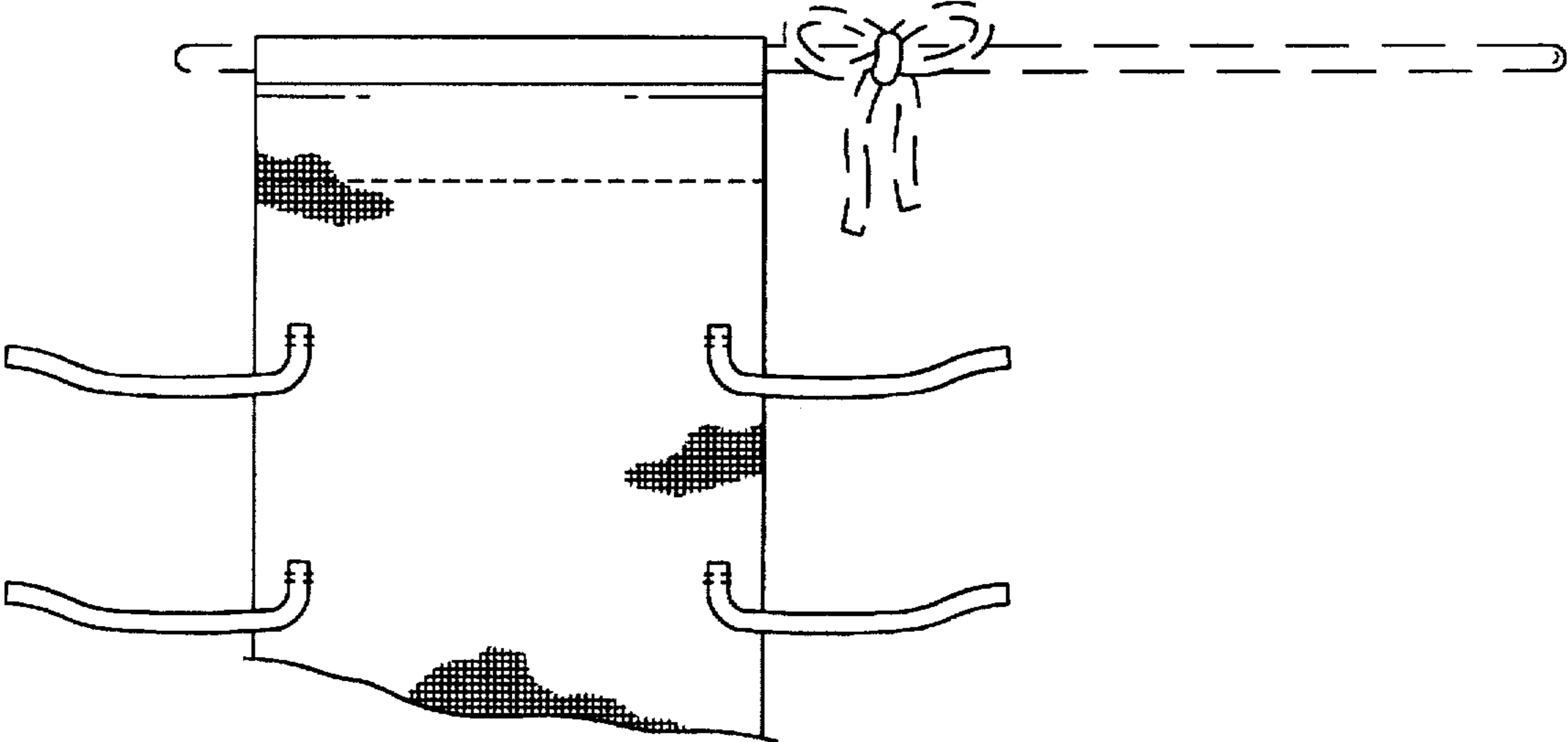
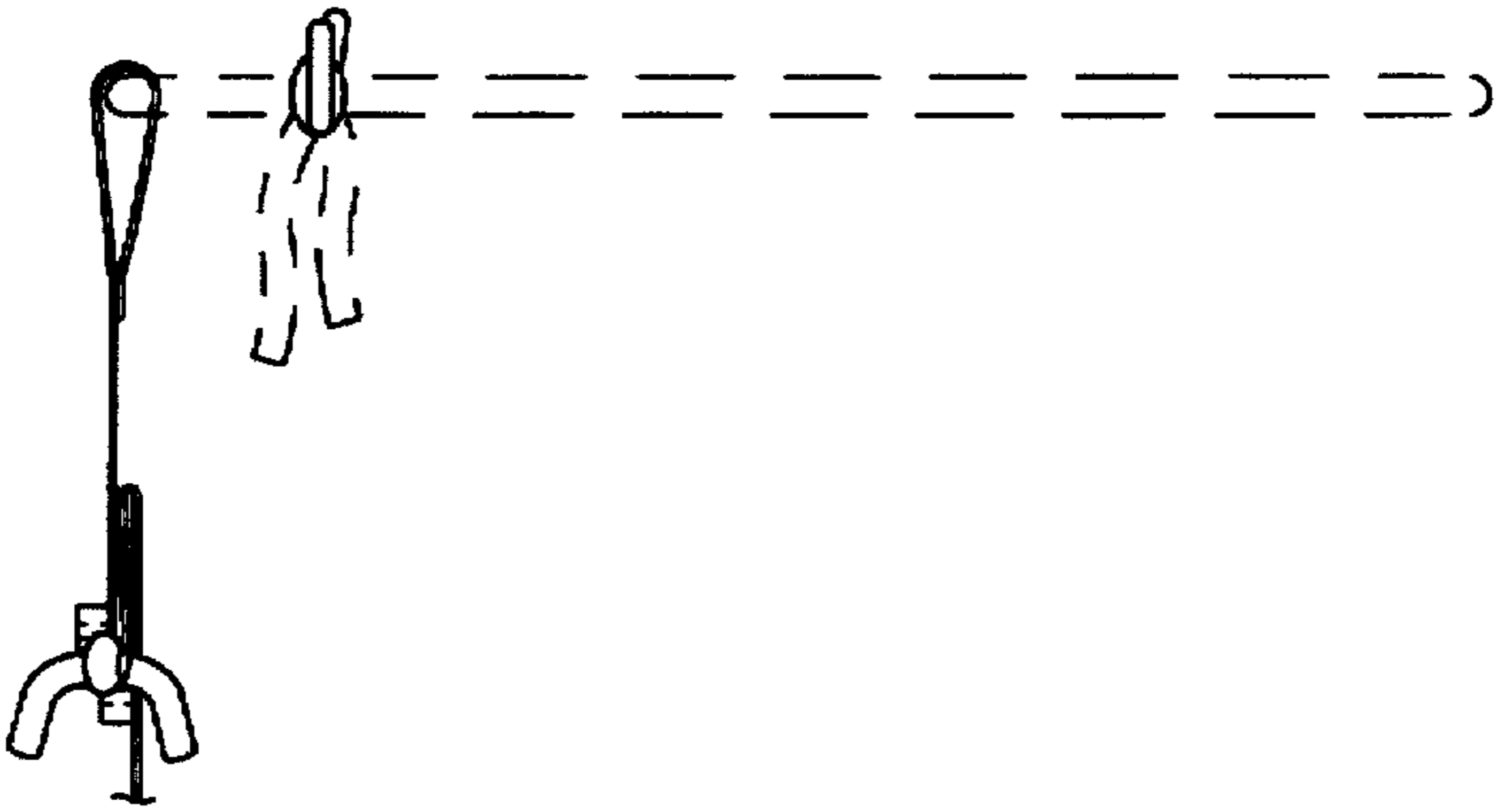


FIG. 10



UNITED STATES PATENT AND TRADEMARK OFFICE
CERTIFICATE OF CORRECTION

PATENT NO. : Des. 395,356
DATED : June 23, 1998
INVENTOR(S) : Gordon Tang

It is certified that error appears in the above-identified patent and that said Letters Patent is hereby corrected as shown below:

Page 2, line 5, delete "enlrged" and insert --enlarged--.

Signed and Sealed this
Twenty-fifth Day of August, 1998



Attest:

BRUCE LEHMAN

Attesting Officer

Commissioner of Patents and Trademarks