



US00D395334S

United States Patent [19]

Eberle et al.

[11] Patent Number: **Des. 395,334**

[45] Date of Patent: ****Jun. 16, 1998**

[54] FLOOR SIGN

[75] Inventors: **John David Eberle**, Amherst; **Daniel Joseph D'Arcy**, Lancaster; **Donald Lawrence Davis**, East Aurora, all of N.Y.

[73] Assignee: **American Allsafe Company**, Tonawanda, N.Y.

[**] Term: **14 Years**

[21] Appl. No.: **70,636**

[22] Filed: **May 13, 1997**

[51] LOC (6) Cl. **20-03**

[52] U.S. Cl. **D20/10; D10/109**

[58] Field of Search D20/10, 11, 42; D10/109, 113; 116/63 P, 63 R; 40/584, 585, 610

[56] **References Cited**

U.S. PATENT DOCUMENTS

D. 260,780	9/1981	Maza et al.	D20/10
D. 328,615	8/1992	Taylor	D10/109 X
D. 356,931	4/1995	Stover	D20/11
D. 371,807	7/1996	Mandell et al.	D20/10
4,253,260	3/1981	Maza et al.	40/610
4,298,186	11/1981	Glass	256/64
4,796,369	1/1989	Hamann	40/606
4,928,415	5/1990	Walters	40/610

4,974,815	12/1990	Glass	256/64
4,977,697	12/1990	Genick	40/606
4,999,937	3/1991	Bechtold	40/610
5,003,912	4/1991	Thurston	116/63
5,009,541	4/1991	Thurston	404/6
5,046,885	9/1991	Thurston	404/10
5,458,434	10/1995	Bent et al.	404/6

OTHER PUBLICATIONS

Wet Floor Signs, p. 364, Miller's Office Products, Jan. 1995.
Doubled Sided Floor Stand Signs, p. B22, Seton Identification Products, Jul. 1993.

Primary Examiner—Susan J. Lucas
Assistant Examiner—Jennifer Rivard
Attorney, Agent, or Firm—Dennis T. Griggs

[57] **CLAIM**

The ornamental design for a floor sign, as shown and described.

DESCRIPTION

FIG. 1 is a front elevational view of a floor sign showing our new design, the rear elevational view being a mirror image thereof;

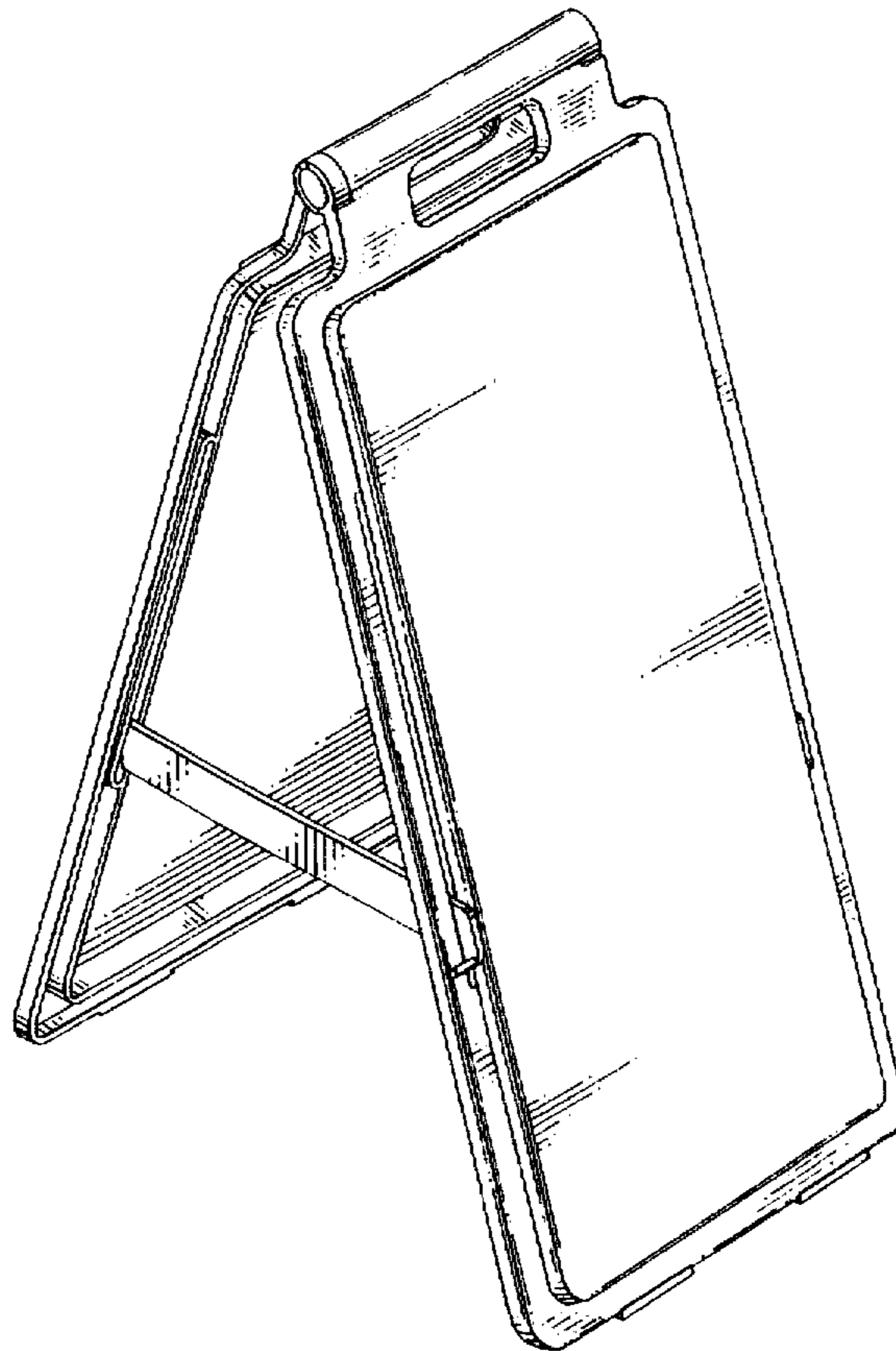
FIG. 2 is a right side elevational view thereof, the left side elevational view being a mirror image thereof;

FIG. 3 is a top plan view thereof;

FIG. 4 is a bottom plan view thereof; and,

FIG. 5 is a front perspective view thereof.

1 Claim, 3 Drawing Sheets



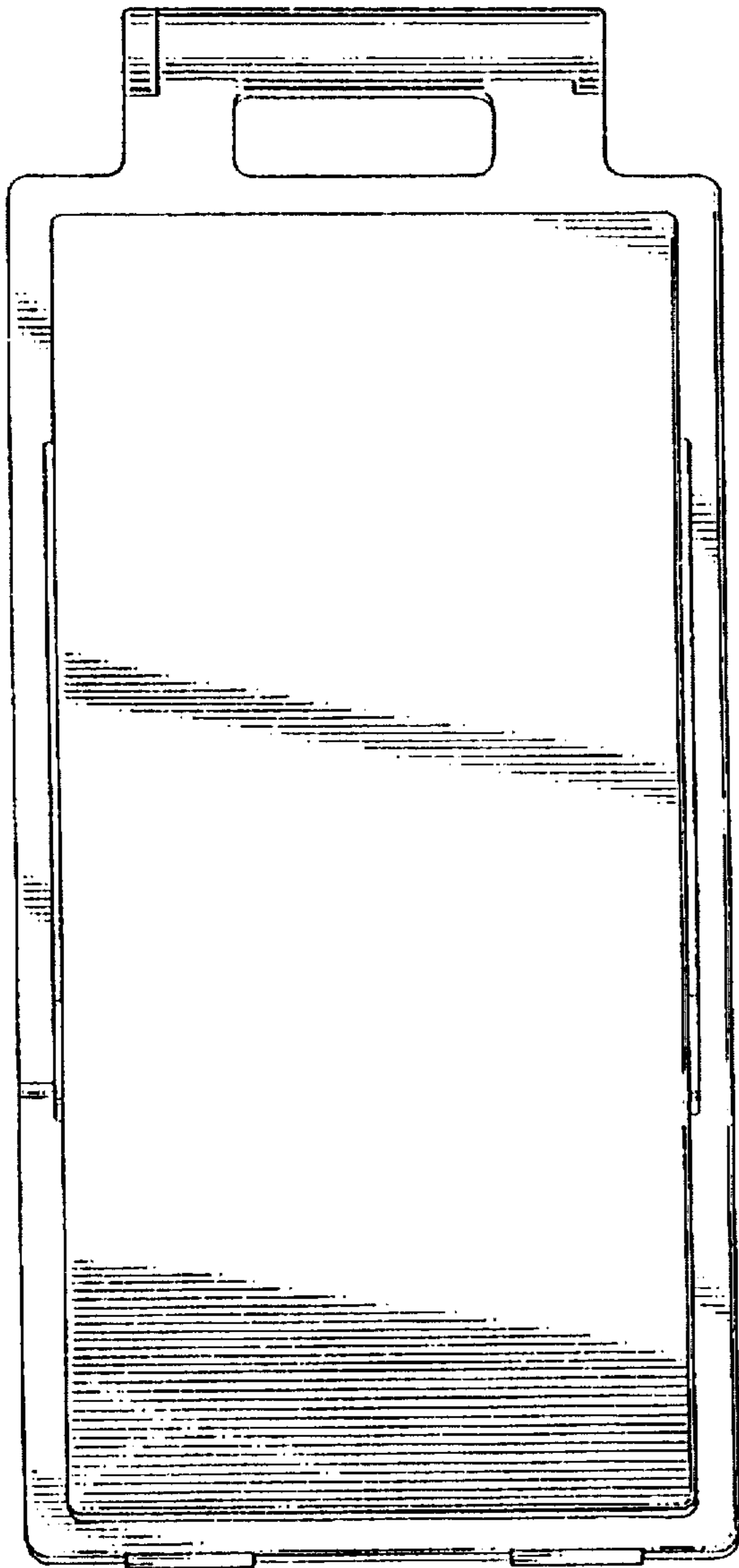


FIG. 1

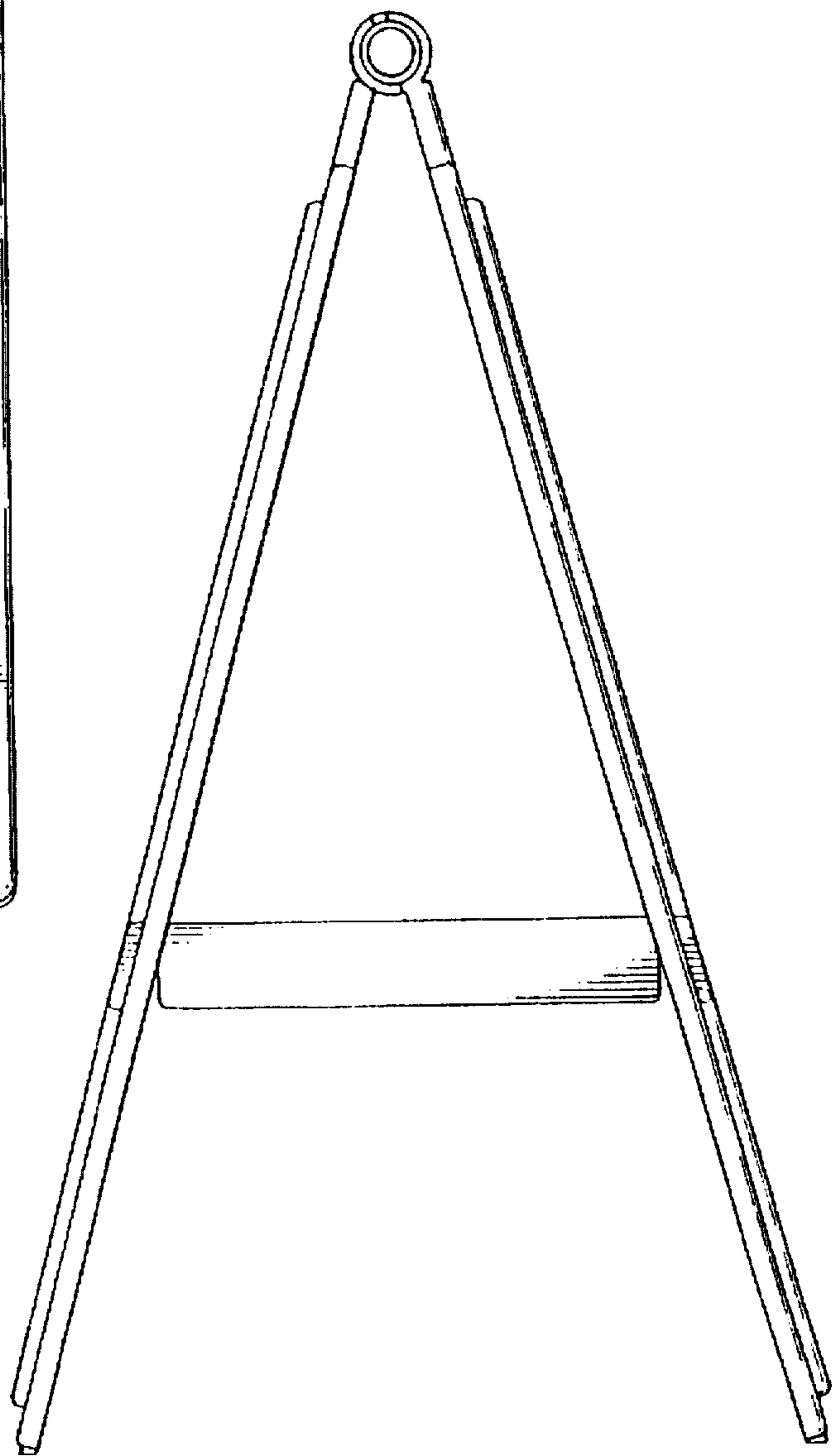


FIG. 2

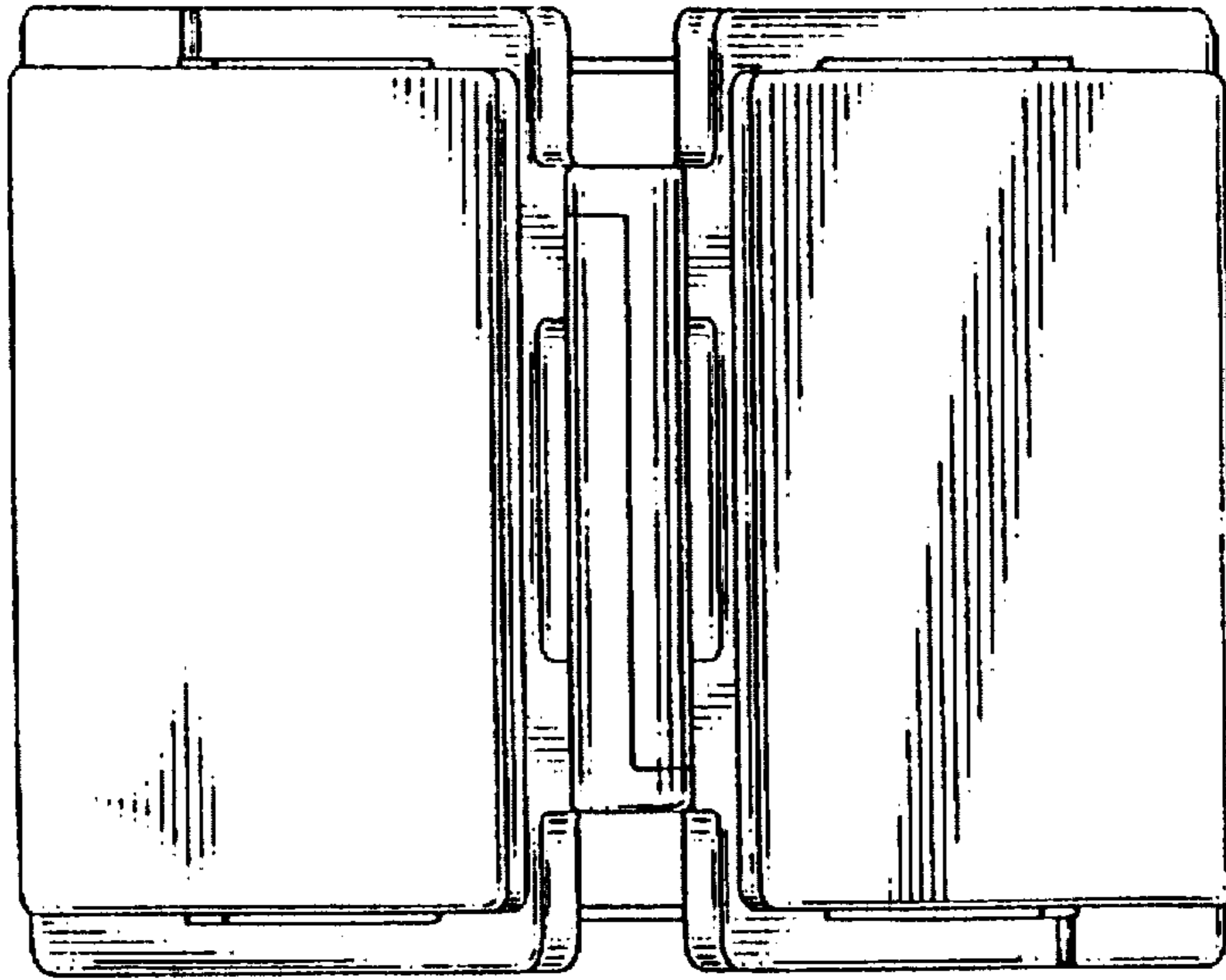


FIG. 3

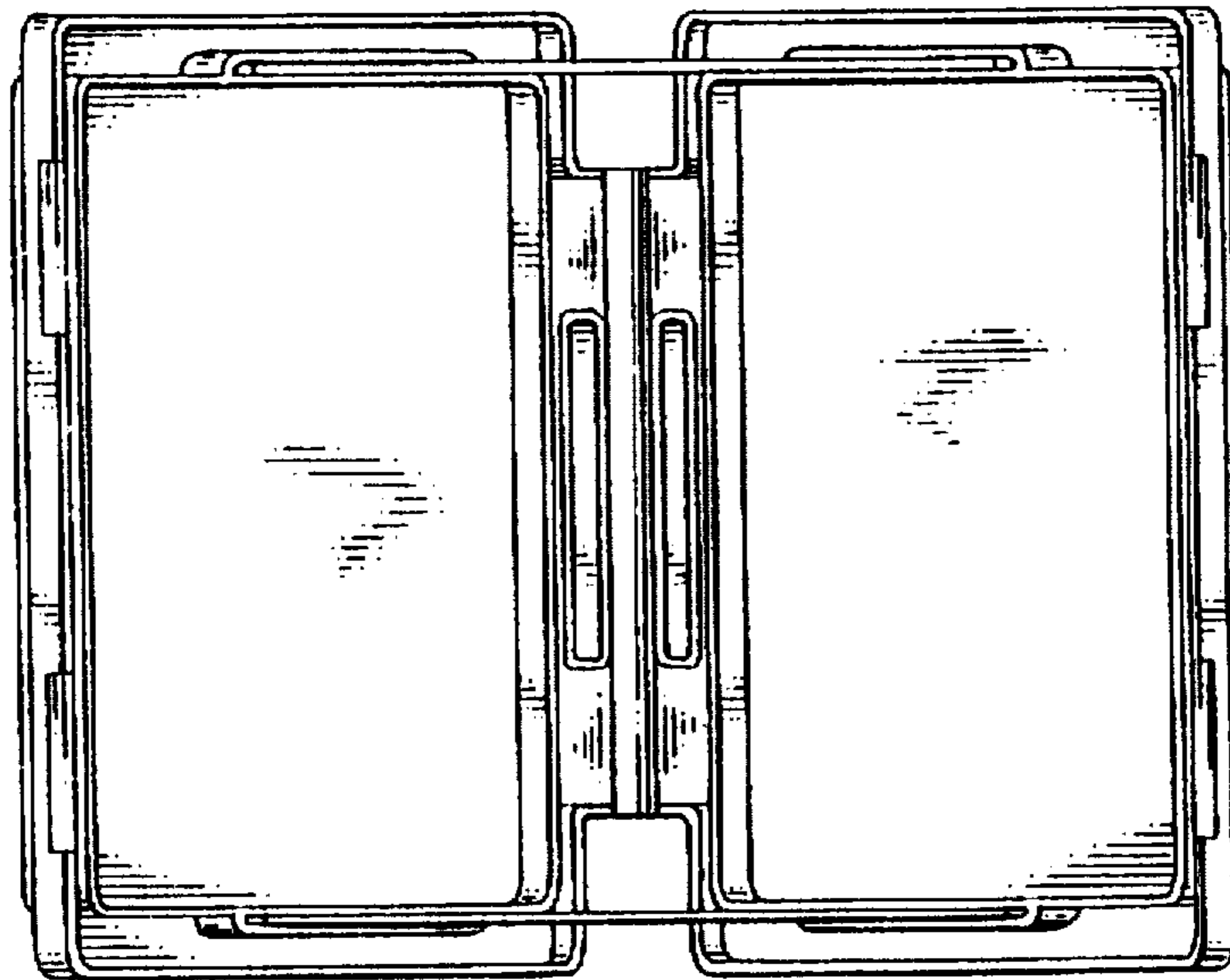


FIG. 4

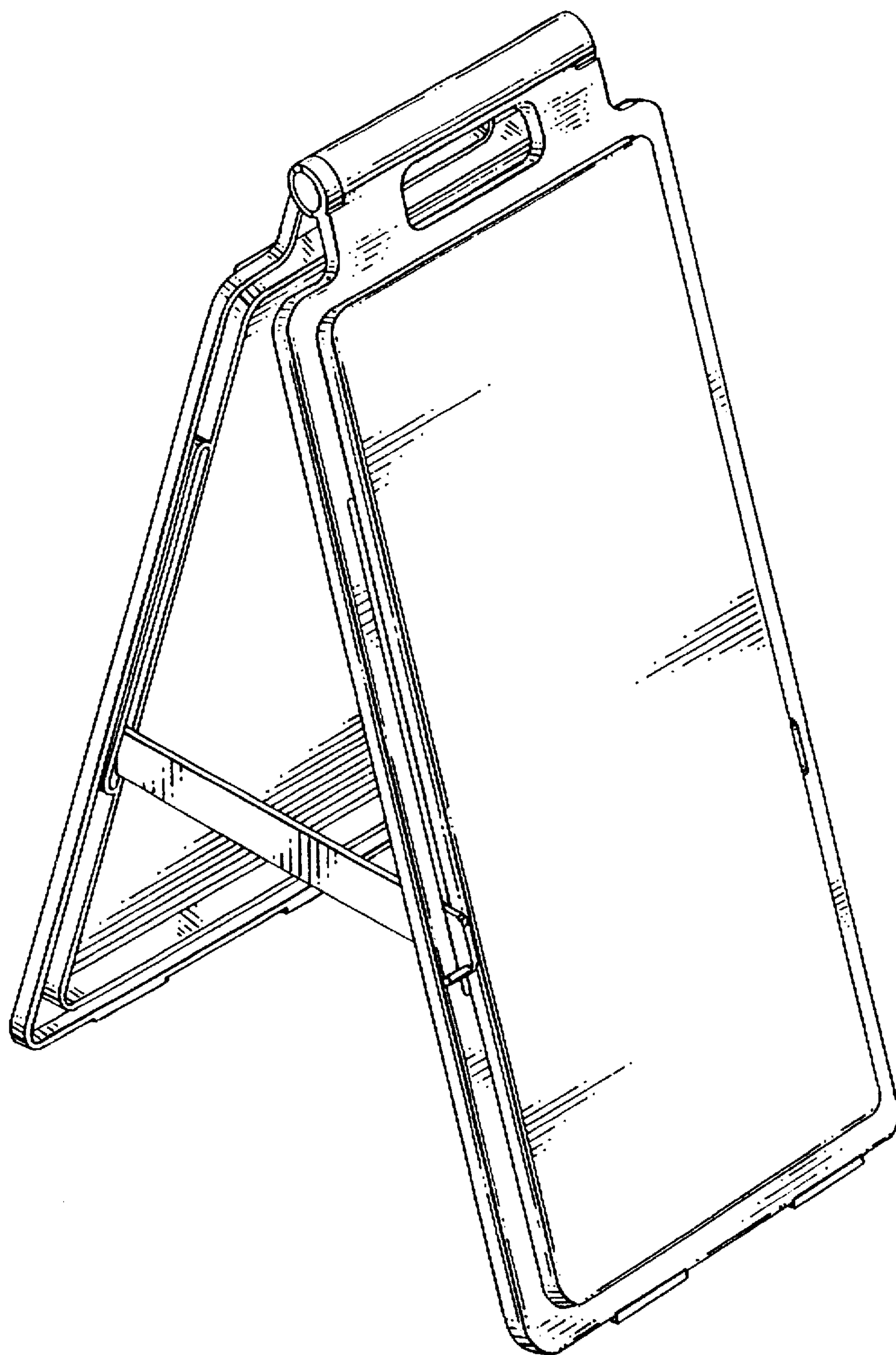


FIG. 5