



US00D395328S

**United States Patent** [19]  
**Palmer**

[11] **Patent Number: Des. 395,328**  
[45] **Date of Patent: \*\*Jun. 16, 1998**

[54] **LIGHT SHIELD FOR A TELEVISION CAMERA OR SIMILAR ARTICLE**

4,748,466 5/1988 Yamada et al. .... 396/534  
4,961,115 10/1990 Jessop ..... 348/374

[75] Inventor: **Gary L. Palmer**, Vinton, Va.

*Primary Examiner*—Ted Shooman  
*Assistant Examiner*—Adir Aronovich  
*Attorney, Agent, or Firm*—Plevy & Associates

[73] Assignee: **ITT Manufacturing Enterprises, Inc.**,  
Wilmington, Del.

[57] **CLAIM**

[\*\*] Term: **14 Years**

The ornamental design for a light shield for a television camera or similar article, as shown and described.

[21] Appl. No.: **68,646**

**DESCRIPTION**

[22] Filed: **Mar. 26, 1997**

[51] **LOC (6) Cl.** ..... **16-05**

[52] **U.S. Cl.** ..... **D16/237; D16/219**

[58] **Field of Search** ..... **D16/219, 237,**  
**D16/242; D26/118, 128; 348/373-376;**  
**396/534, 544**

FIG. 1 is a front perspective view of a light shield for a television camera or similar article showing my new design, the camera housing shown in broken lines is for illustrative purposes only and forms no part of the claimed design; FIG. 2 is a front view thereof; FIG. 3 is a rear view; FIG. 4 is a left side view, the undisclosed right side being identical; FIG. 5 is a top view; and, FIG. 6 is a bottom view.

[56] **References Cited**

**U.S. PATENT DOCUMENTS**

D. 197,257 12/1963 Fladlien et al. .... D16/237  
922,411 5/1909 Folmer ..... 396/534  
3,696,720 10/1972 Vinson ..... 396/534

**1 Claim, 2 Drawing Sheets**

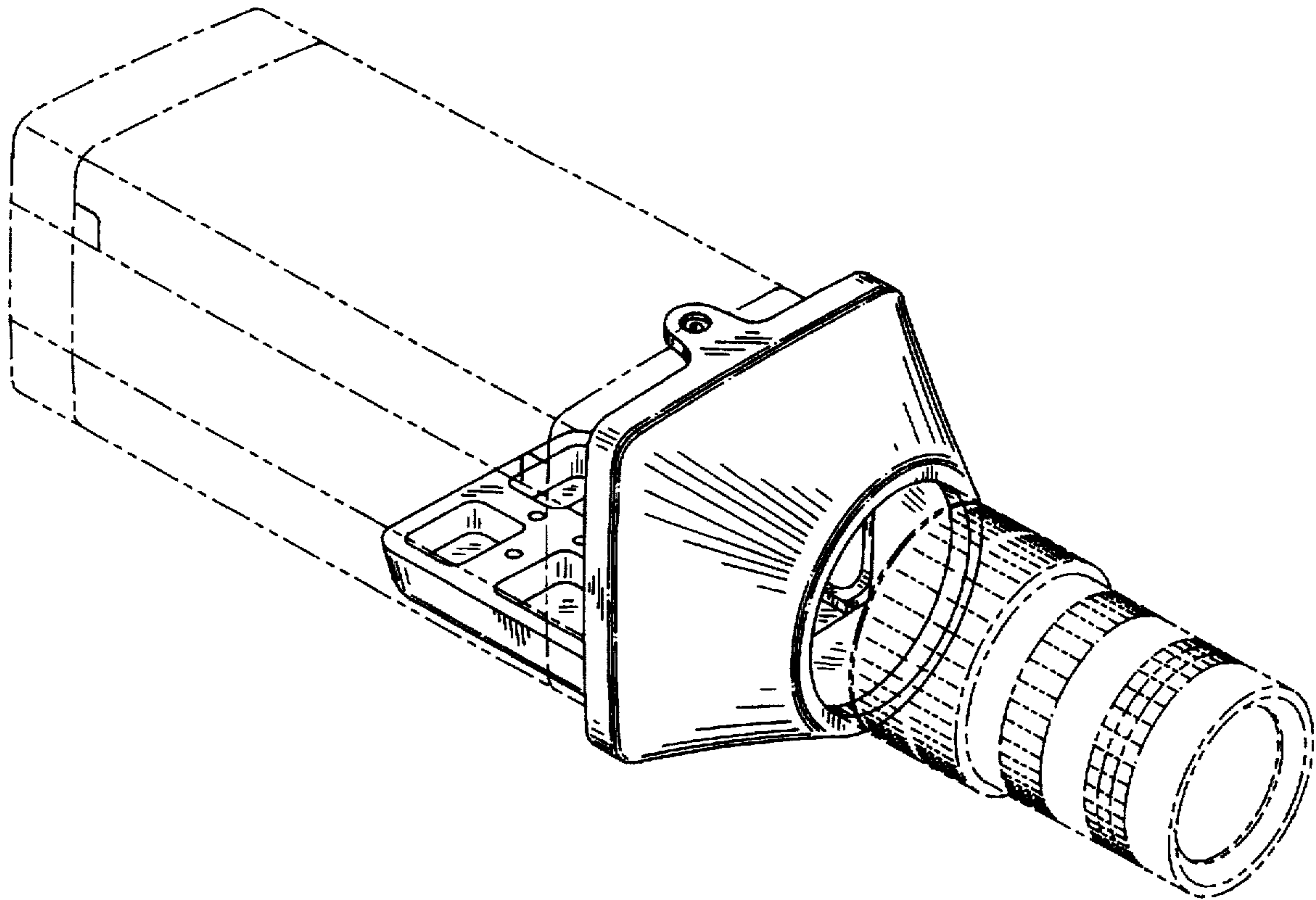


FIG. 1

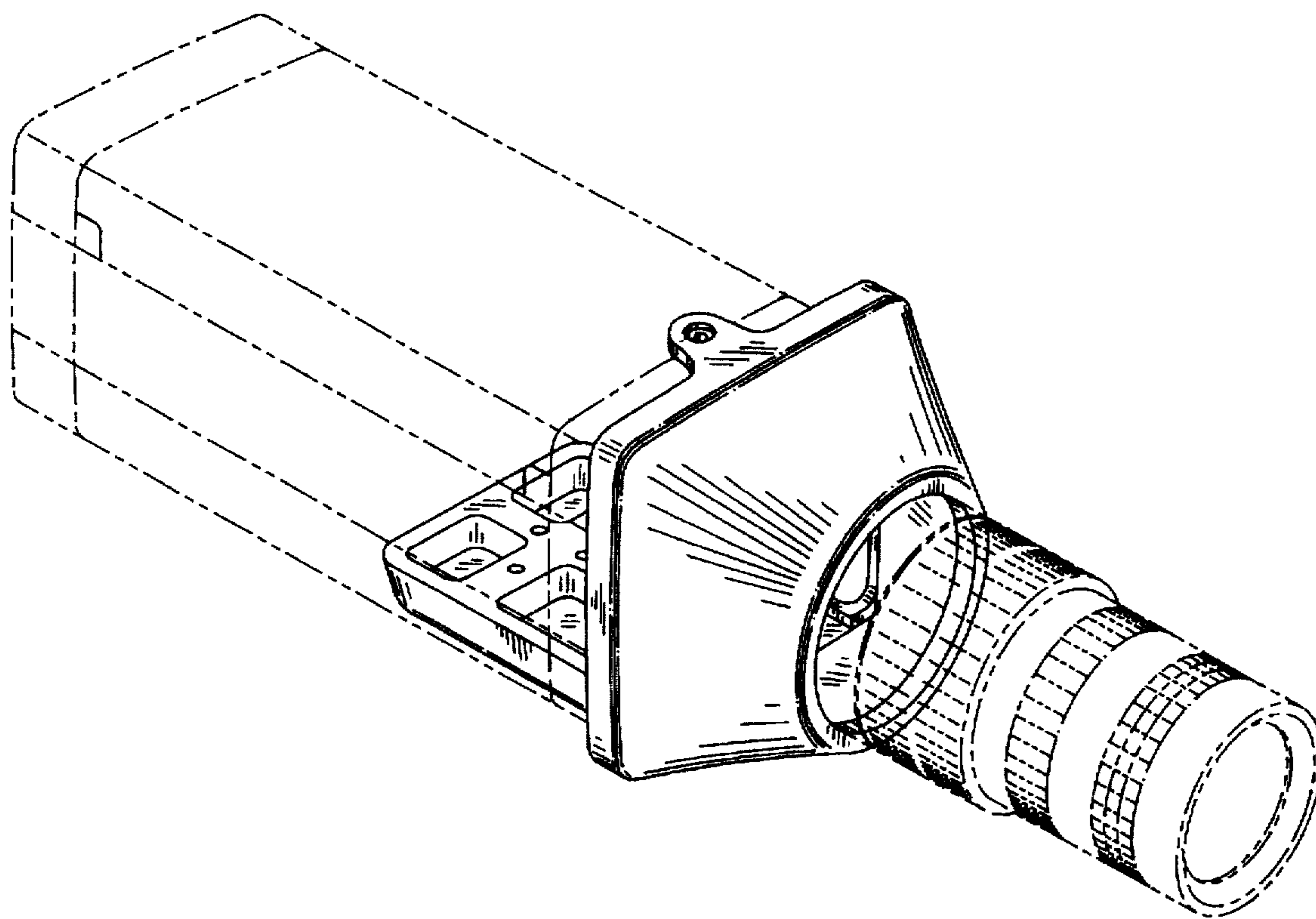


FIG. 2

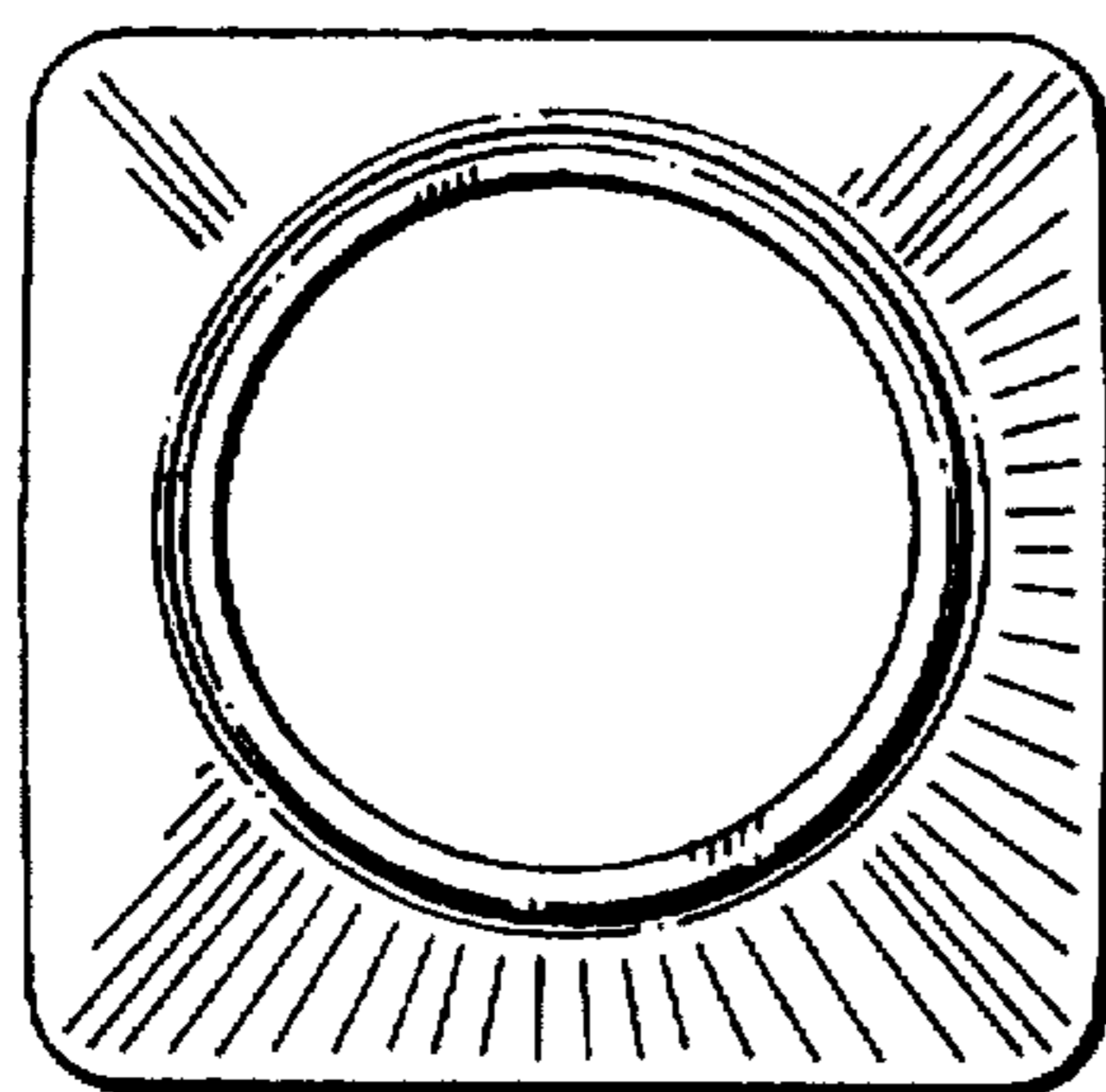


FIG. 3

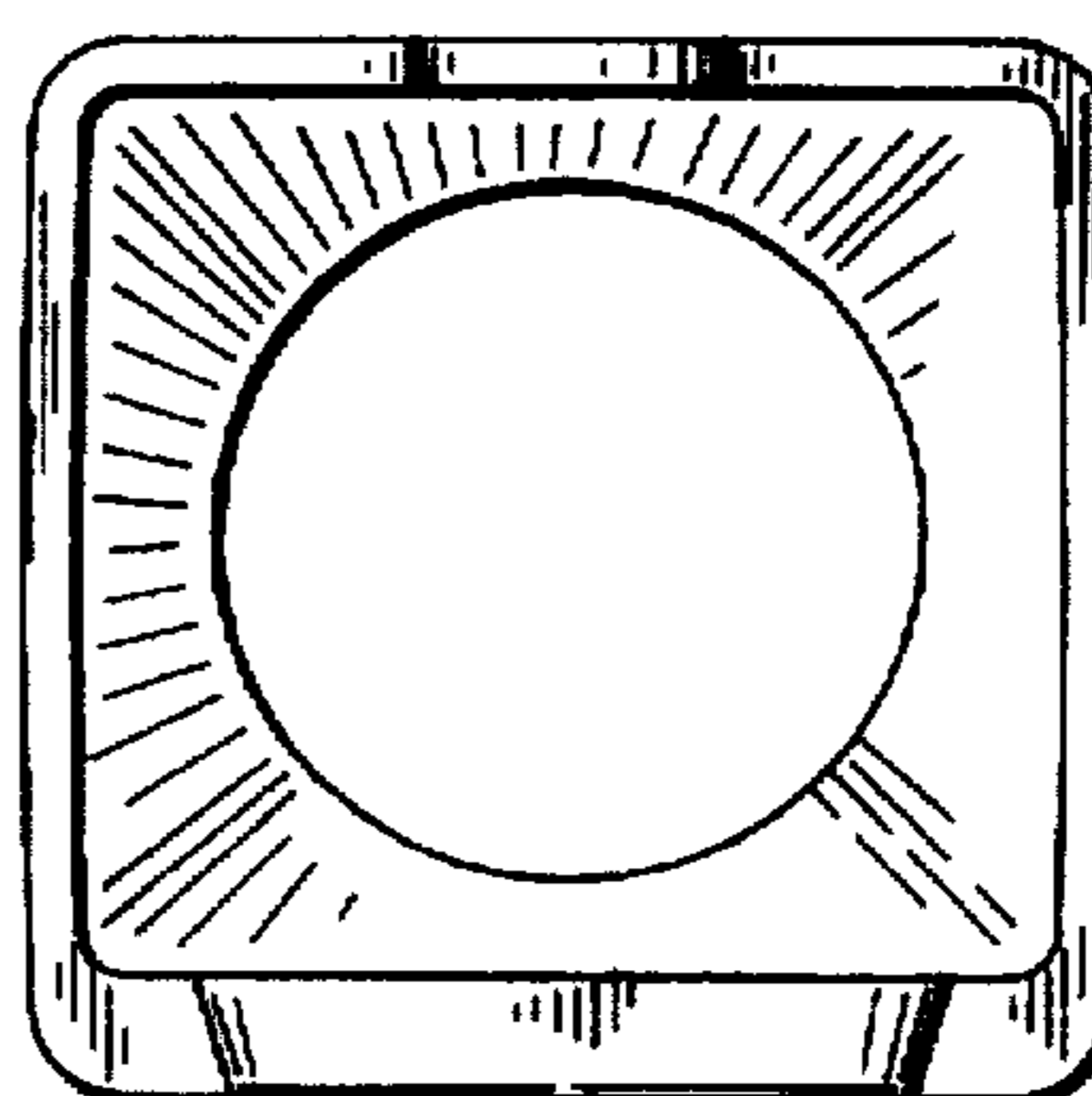


FIG. 4

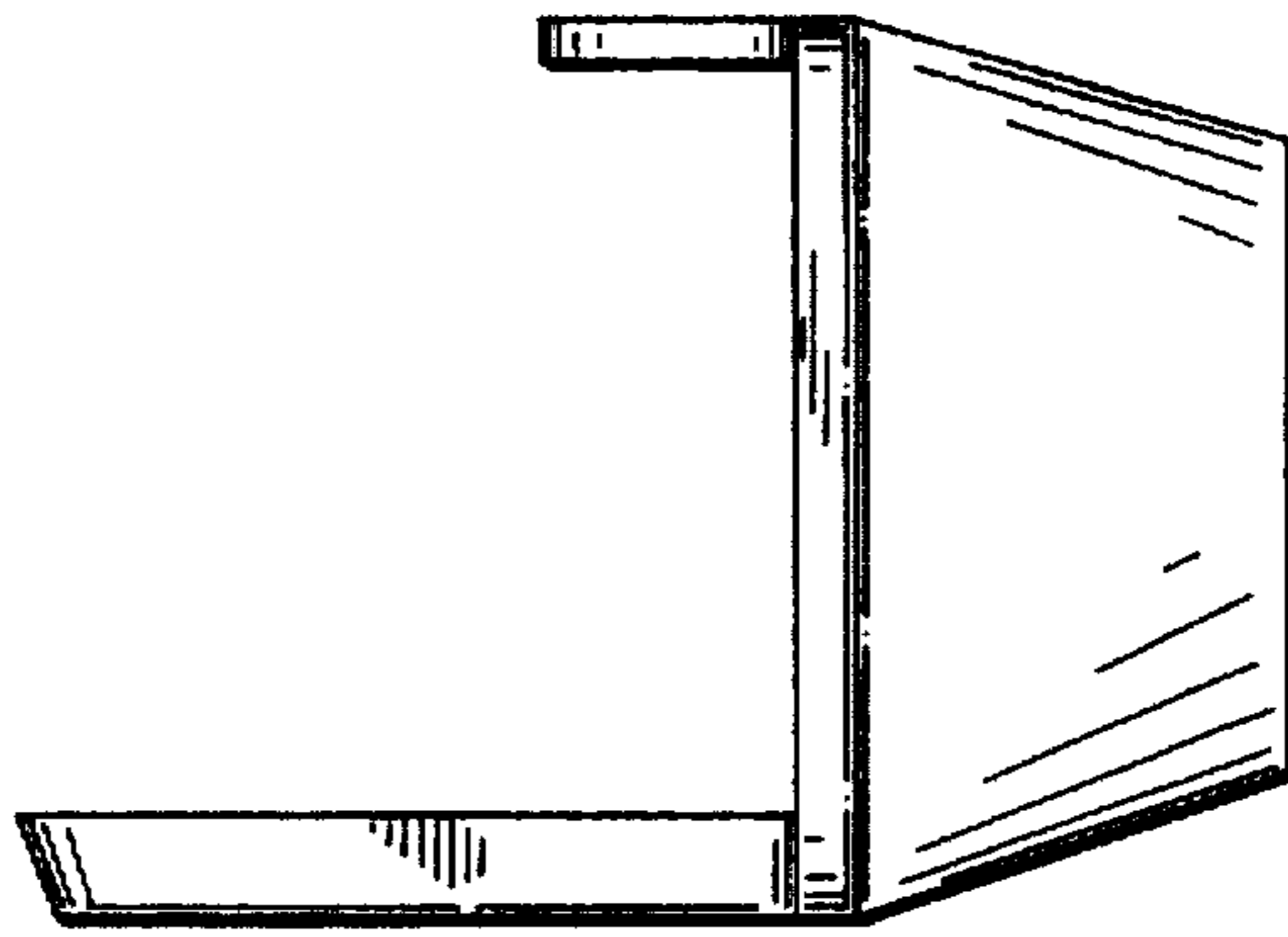


FIG. 5

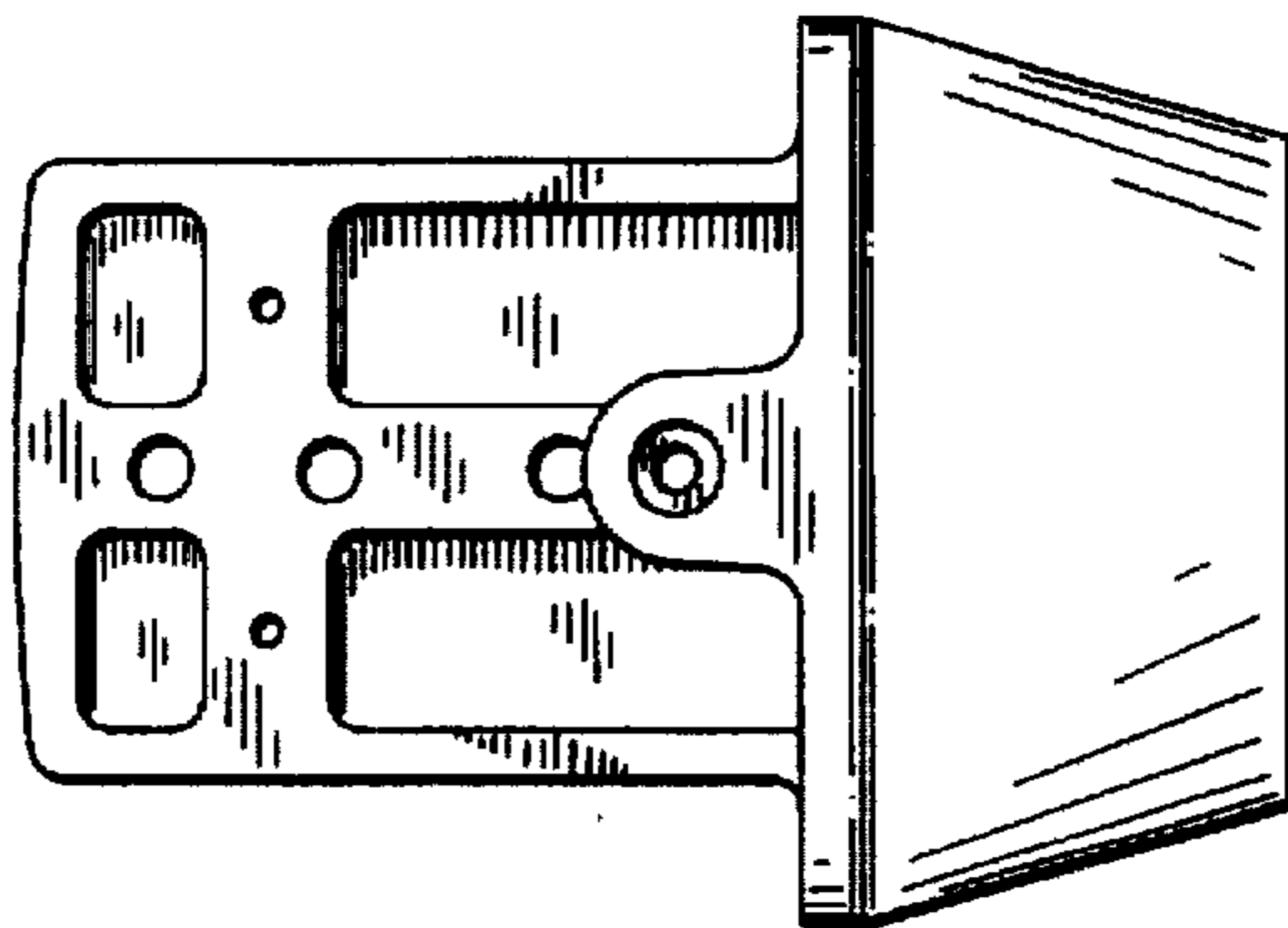


FIG. 6

