



US00D395327S

# United States Patent [19]

Io et al.

[11] Patent Number: Des. 395,327

[45] Date of Patent: \*\*Jun. 16, 1998

[54] CAMERA

[75] Inventors: **Fumitaka Io, Nara; Tomomi Saeki, Takatsuki**, both of Japan

[73] Assignee: **Minolta Co., Ltd.**, Osaka, Japan

[\*\*] Term: **14 Years**

[21] Appl. No.: **50,000**

[22] Filed: **Feb. 6, 1996**

[30] Foreign Application Priority Data

Aug. 7, 1995 [JP] Japan ..... 7-23212

[51] LOC (6) Cl. .... **16-01**

[52] U.S. Cl. .... **D16/209; D16/218**

[58] Field of Search ..... **D16/200-204, D16/208, 209, 216-218; 354/126, 149.11, 288**

## [56] References Cited

### U.S. PATENT DOCUMENTS

- D. 319,452 8/1991 Shiiba ..... D16/209
- D. 347,443 5/1994 Tago ..... D16/209
- D. 353,389 12/1994 Shirai ..... D16/209
- D. 372,723 8/1996 Schaefer et al. .... D16/218
- D. 373,243 9/1996 Nagaoka et al. .... D16/209

### OTHER PUBLICATIONS

Popular Photography, Apr. 1988 p. 70 (Canon's Sure Shot).  
**BIG MINI BM-201** by Konica (from Shashin-Kougyou on Oct. 1990. vol. 48, No. 10, p. 103).  
**CARDIA TRAVEL MINI** by Fuji Film (from Shashin-Kougyou on Apr. 1991) vol. 49, No. 4, pp. 58-61.  
**CARDIA TRAVEL MINI II** by Fuji Film (from Shashin-Kougyou on Jan., 1992) vol. 50, No. 1, p. 112.  
**NIKON MINI** by Nikon (from Shashin-Kougyou on May 1993) vol. 51, No. 5, pp. 58-59.

TRIP JUNIOR by Olympus (from Camera Sogo Catalogue 1992) vol. 104, p. 24.

MYPORT ZOOM MINI by Ricoh; TRIP AF mini Quartz Date by Olympus; and AF-10 SUPER QUARTZ Date "Picasso mini-S" by Olympus; (from Camera Sogo Catalogue of 1993) vol. 106; pp. 122, 22-23.

CARDIA MINI ELITE OP by Fuji Film; MYPORT ZOOM 320PS by Ricoh; P. MINI 2 by Kyocera/CONTAX; FS-3511 Quartz Date by Minolta; TRIP PANORAMA 2 Quartz Date by Olympus; (from Camera Sogo Catalogue of 1994) vol. 108; pp. 87, 117, 40, 115, and 23.

TRIP PANORAMA 2 by Olympus; CARDIA SUPER 28 WP by Fuji Film; SLIM T by Kyocera/CONTAX; (from Camera Sogo Catalogue 1995) vol. 110, pp. 23, 81, and 43. EPSON MINI by Pentax; P.MINI 3 by Kyocera/CONTAX; (from Camera Sogo Catalogue of 1996) vol. 111, pp. 11 and 41.

Primary Examiner—Philip S. Hyder  
Assistant Examiner—Adir Aronovich  
Attorney, Agent, or Firm—Burns, Doane, Swecker & Mathis, LLP

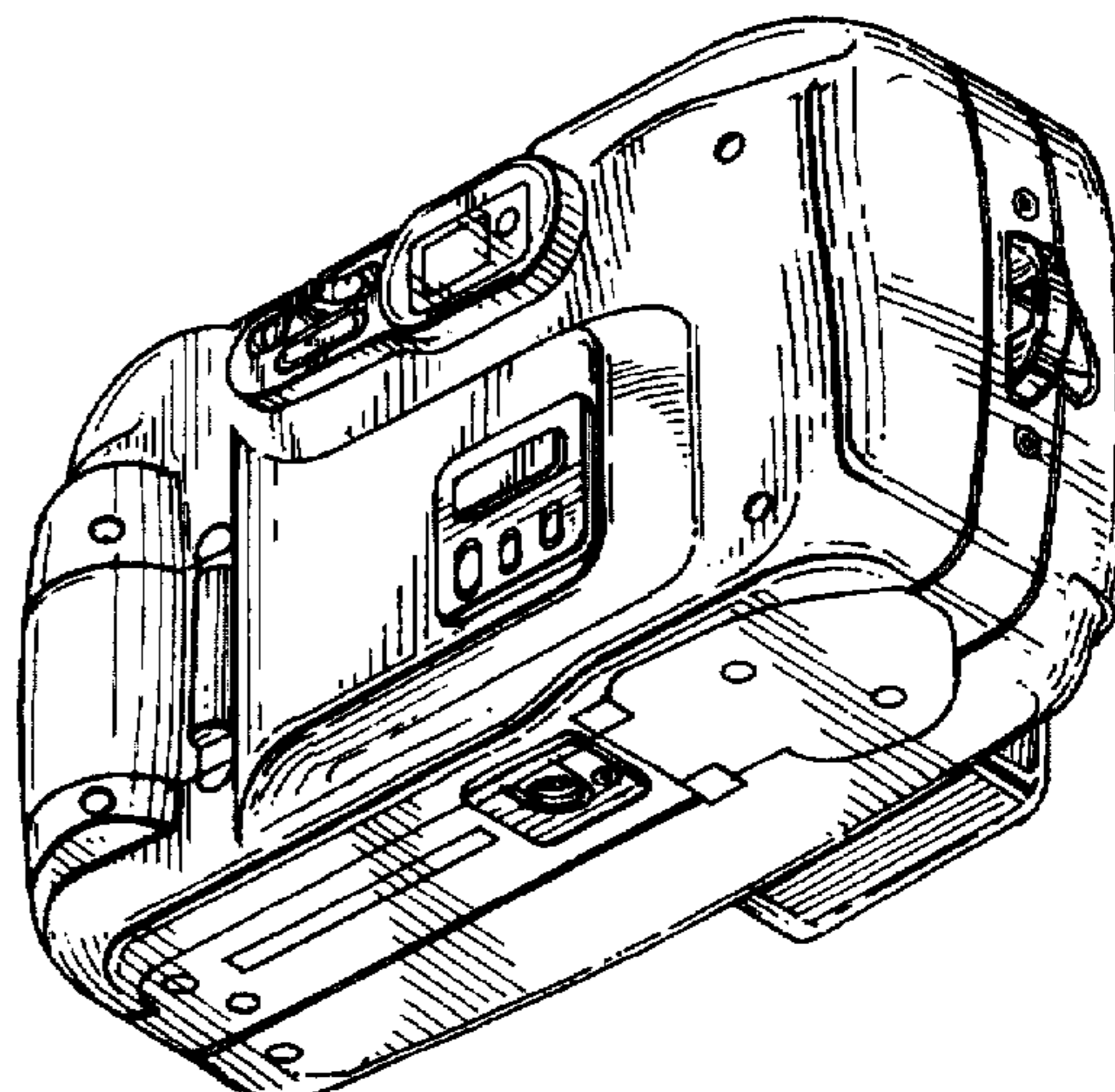
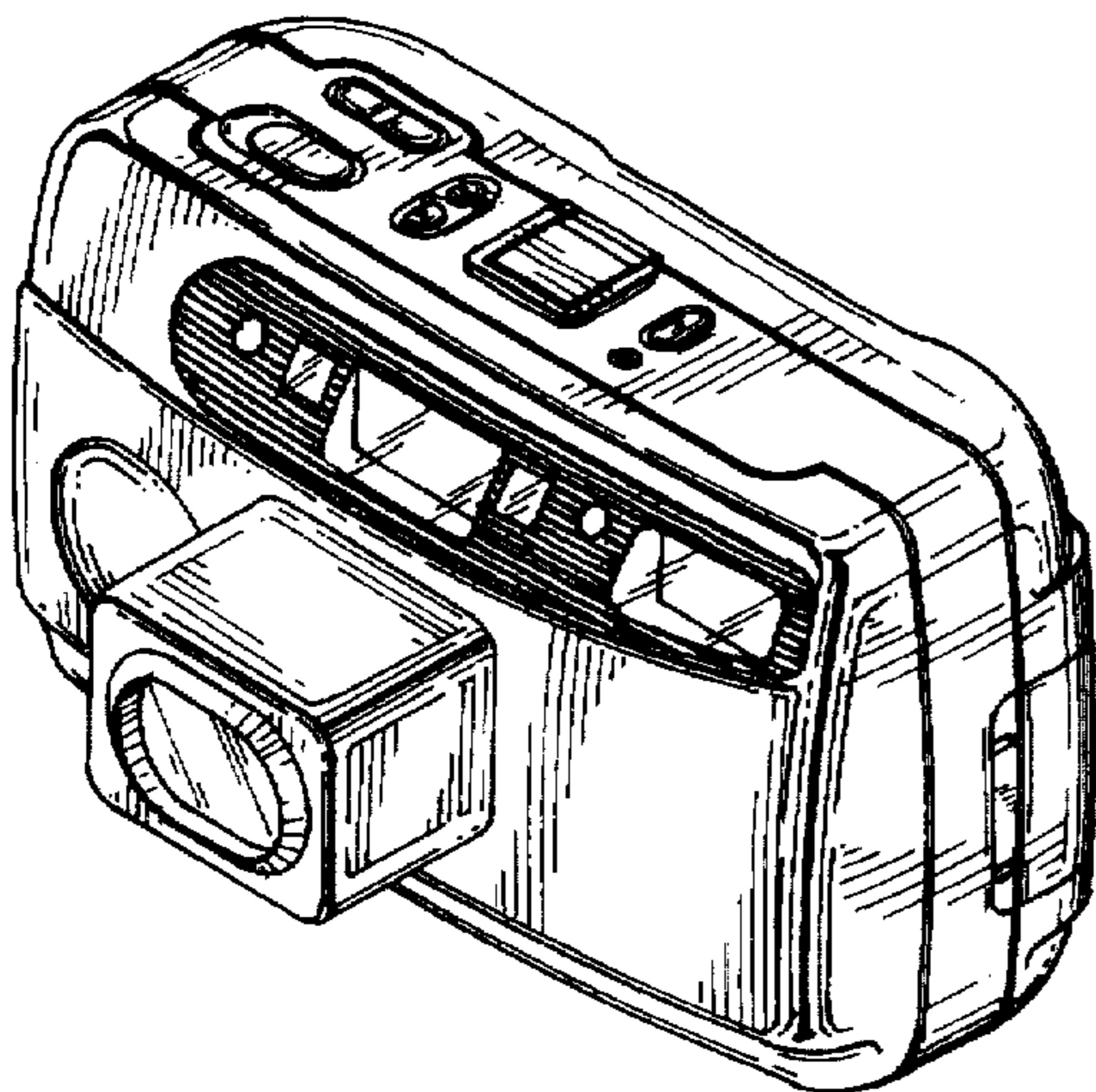
## [57] CLAIM

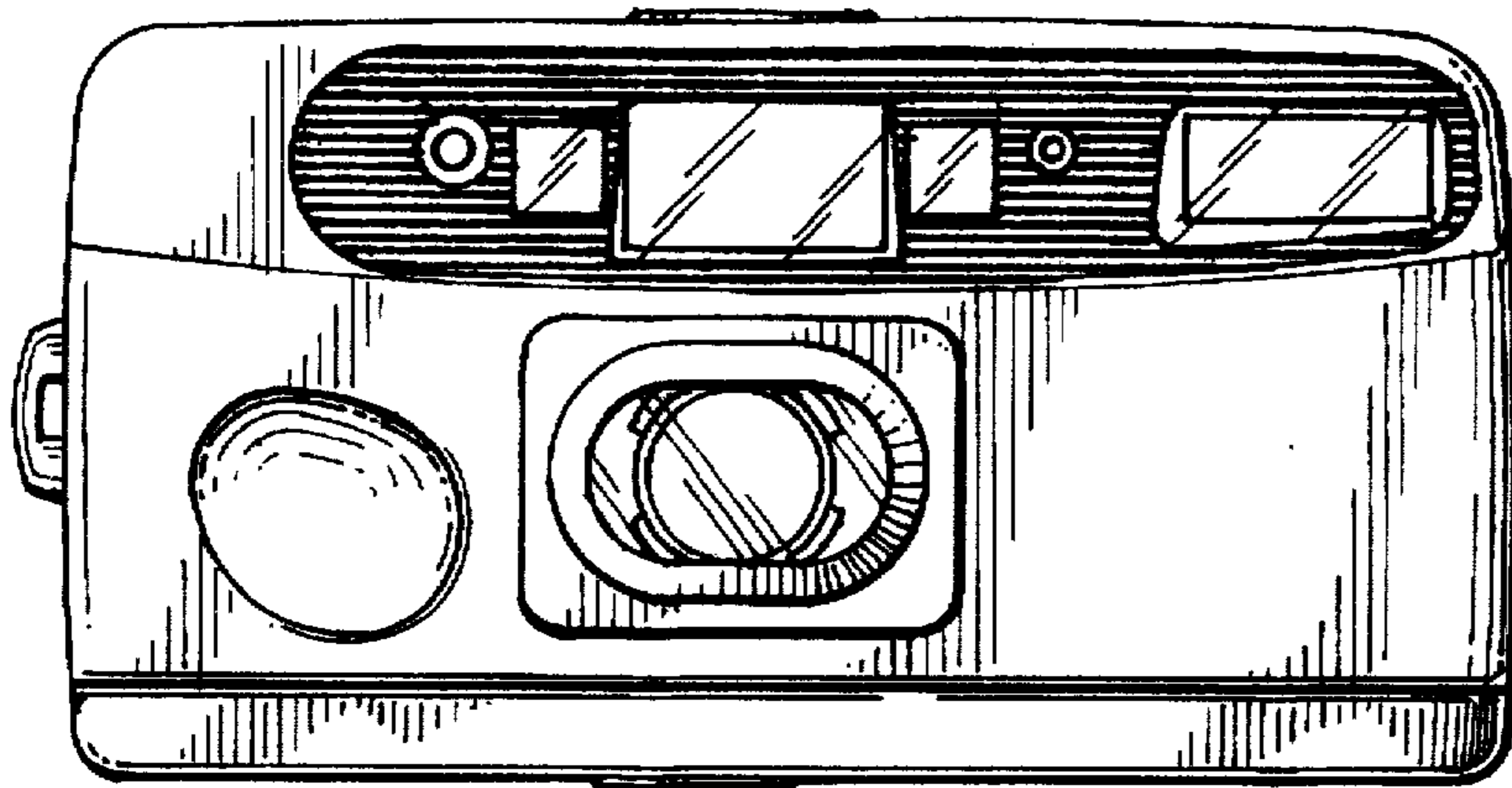
The ornamental design for a camera, as shown.

## DESCRIPTION

FIG. 1 is a front elevational view of the camera showing our new design;  
 FIG. 2 is a rear elevational view thereof;  
 FIG. 3 is a top plan view thereof;  
 FIG. 4 is a right side elevational view thereof;  
 FIG. 5 is a left side elevational view thereof;  
 FIG. 6 is a bottom plan view thereof;  
 FIG. 7 is a top front perspective view thereof; and,  
 FIG. 8 is a bottom rear perspective view thereof.

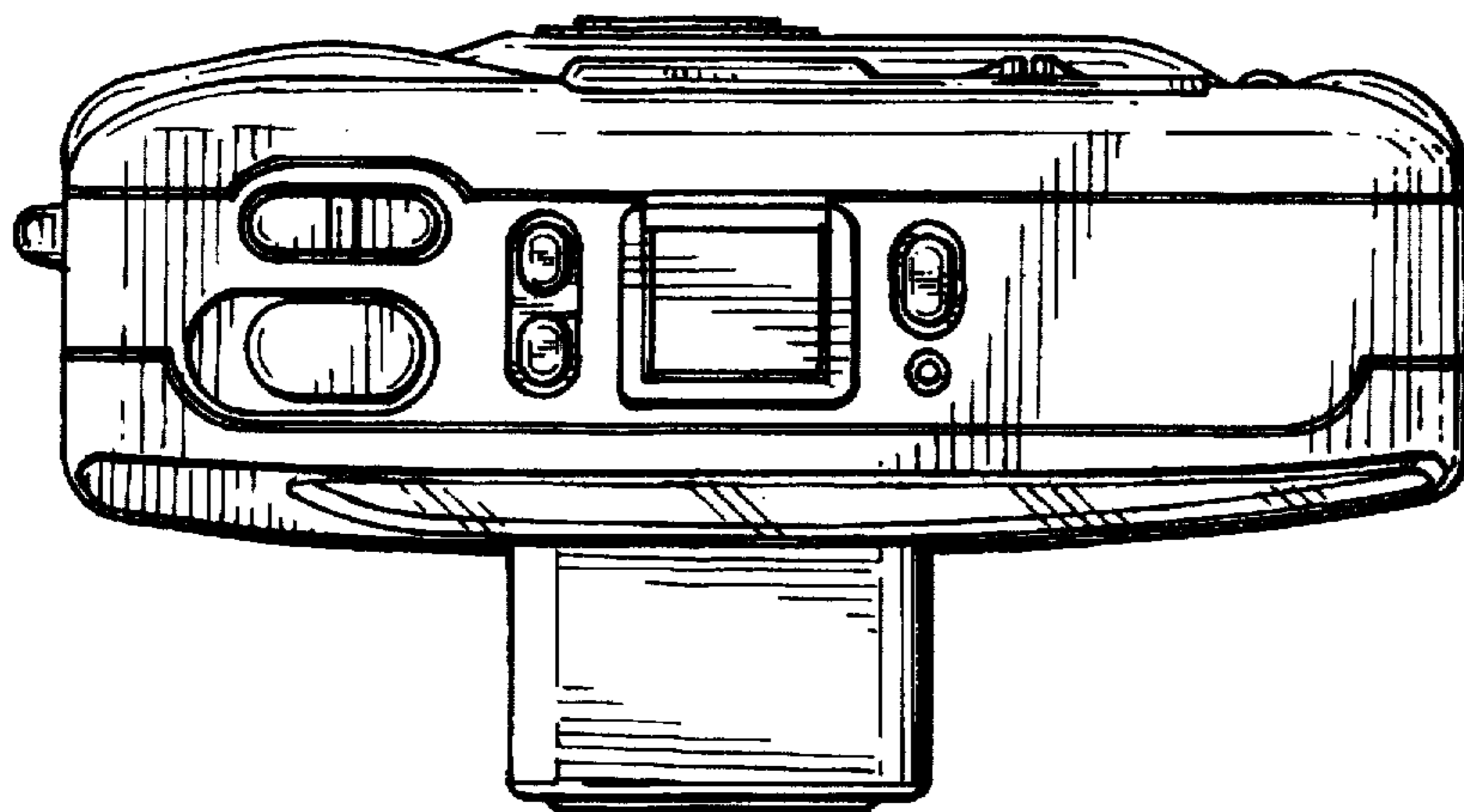
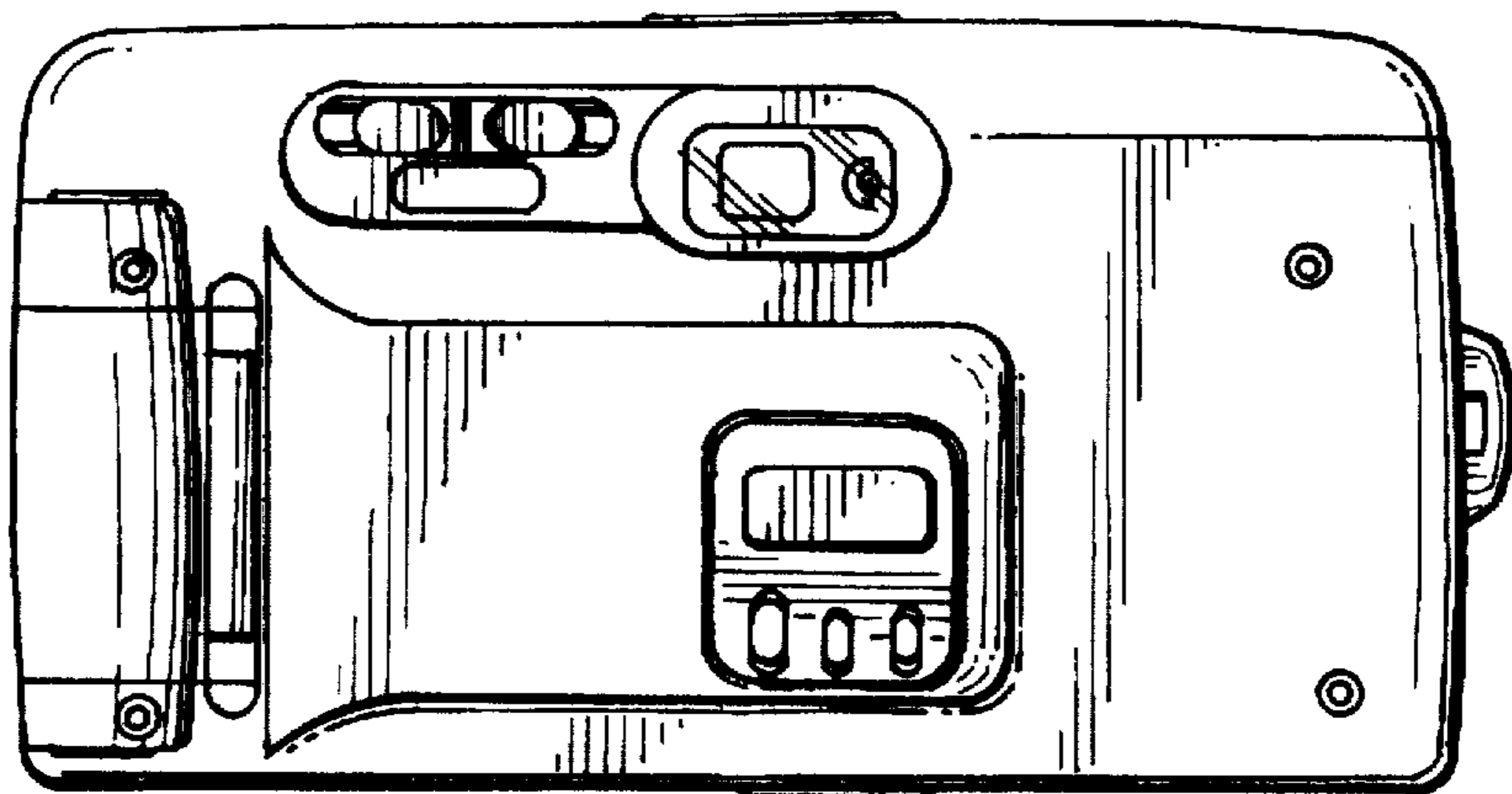
1 Claim, 3 Drawing Sheets



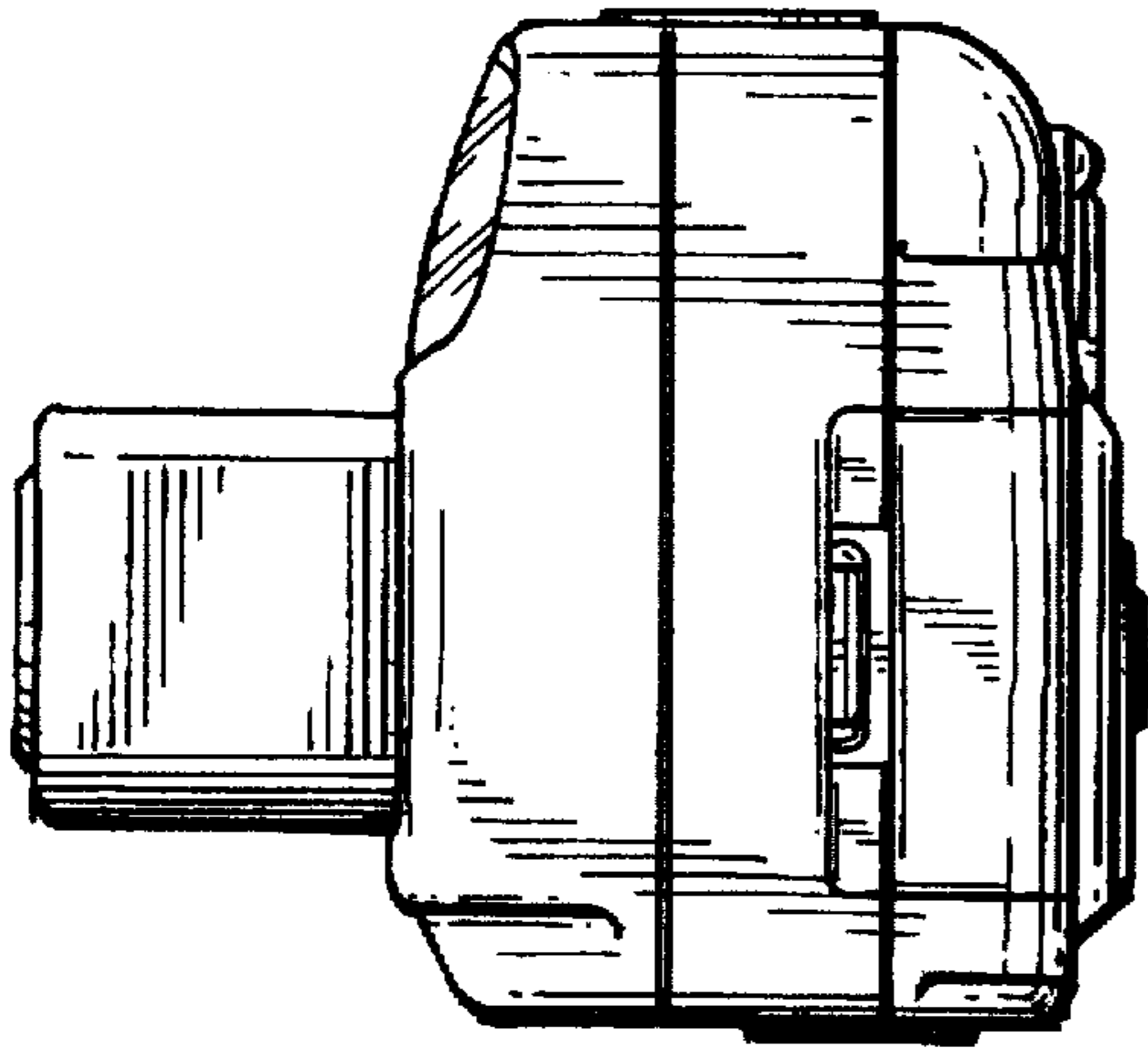


**FIG. 1**

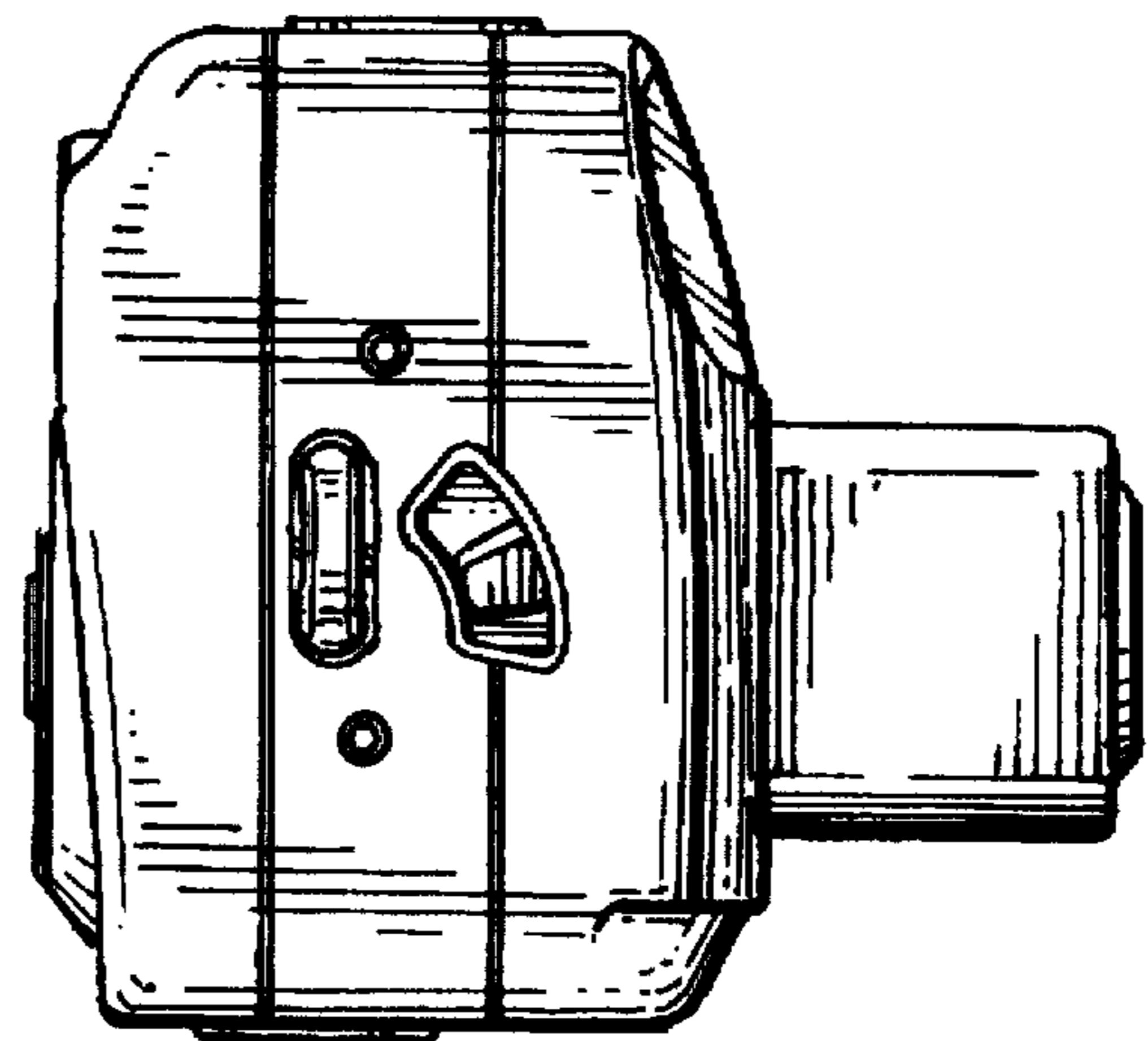
**FIG. 2**



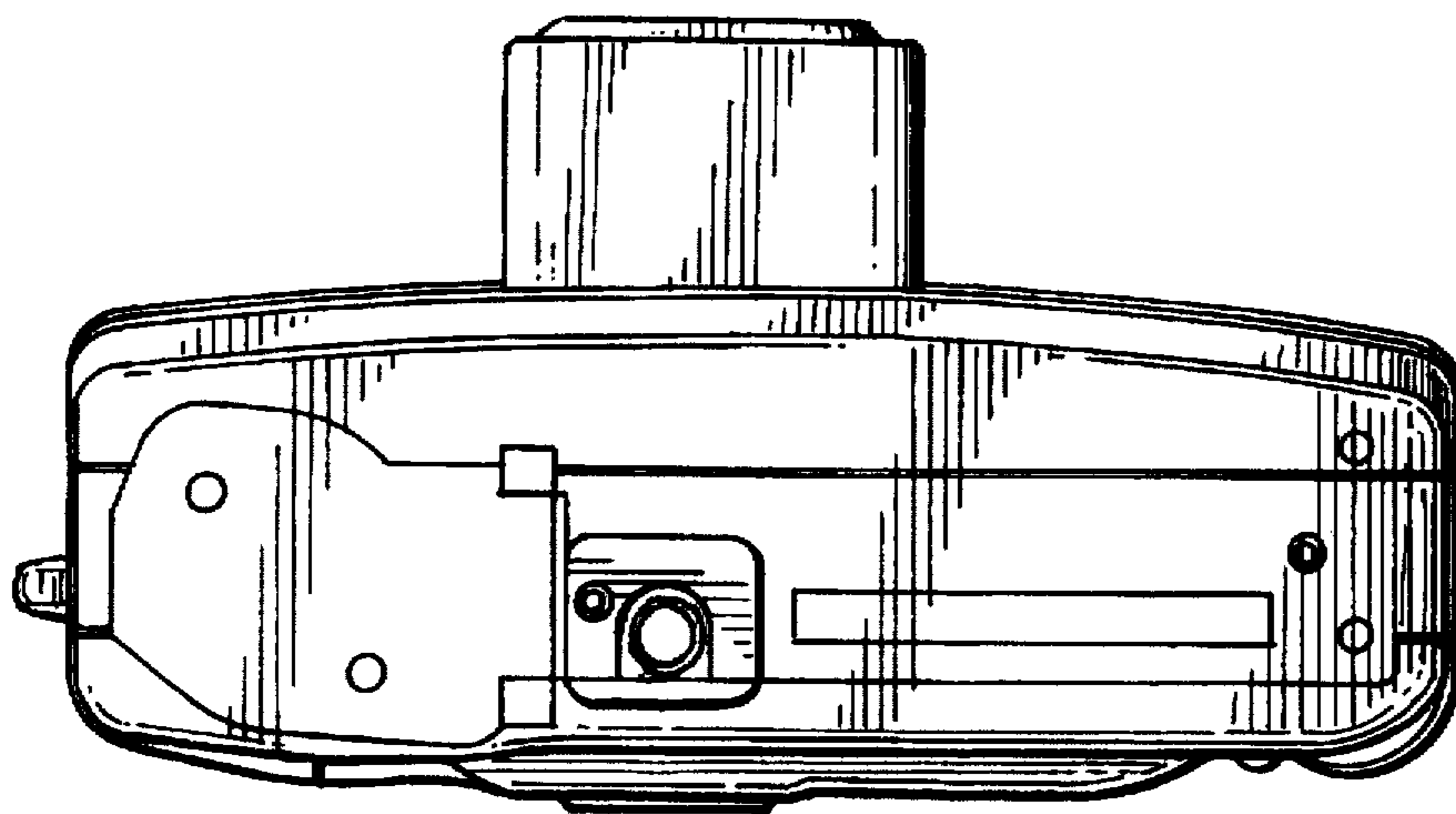
**FIG. 3**



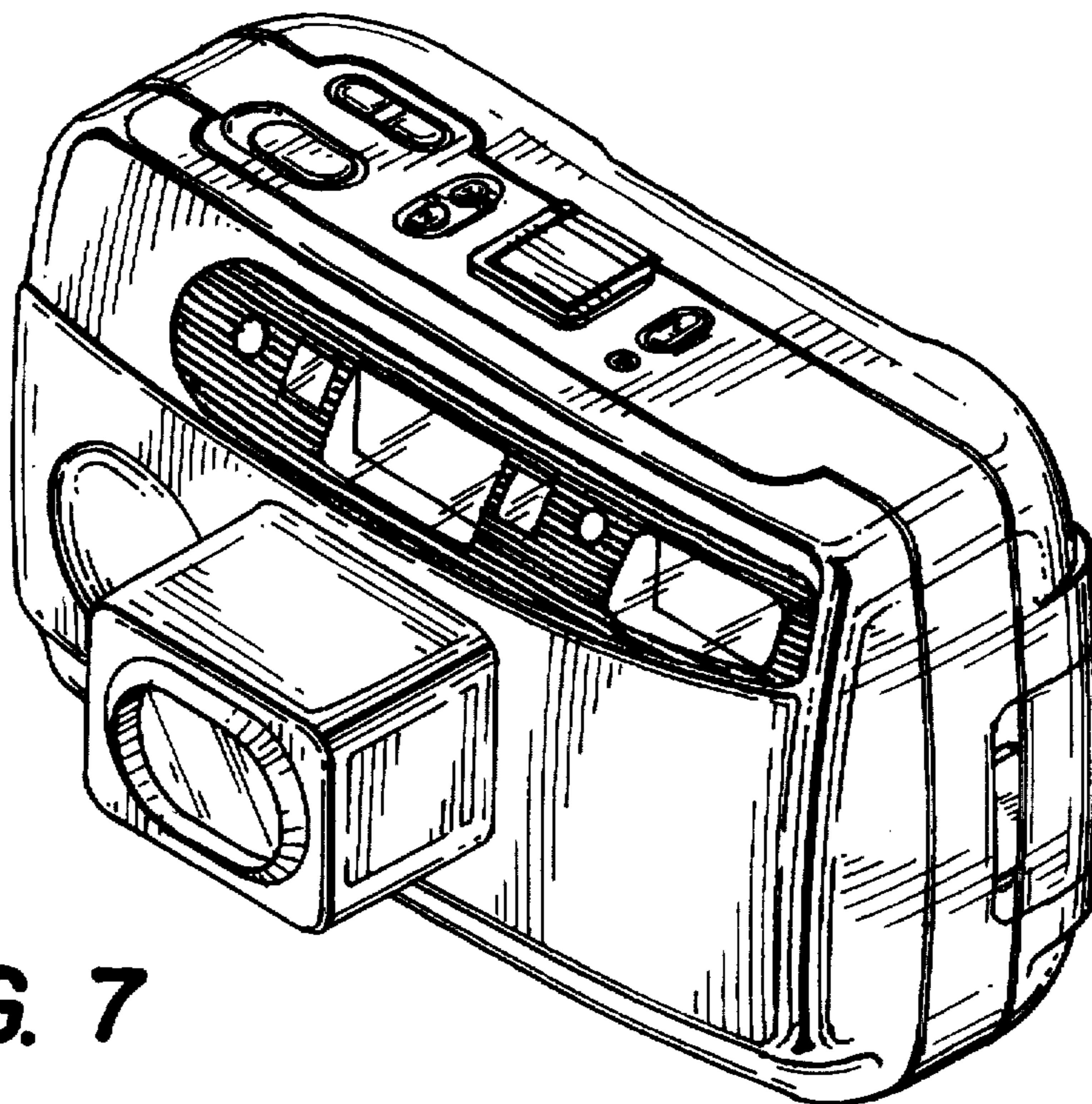
**FIG. 4**



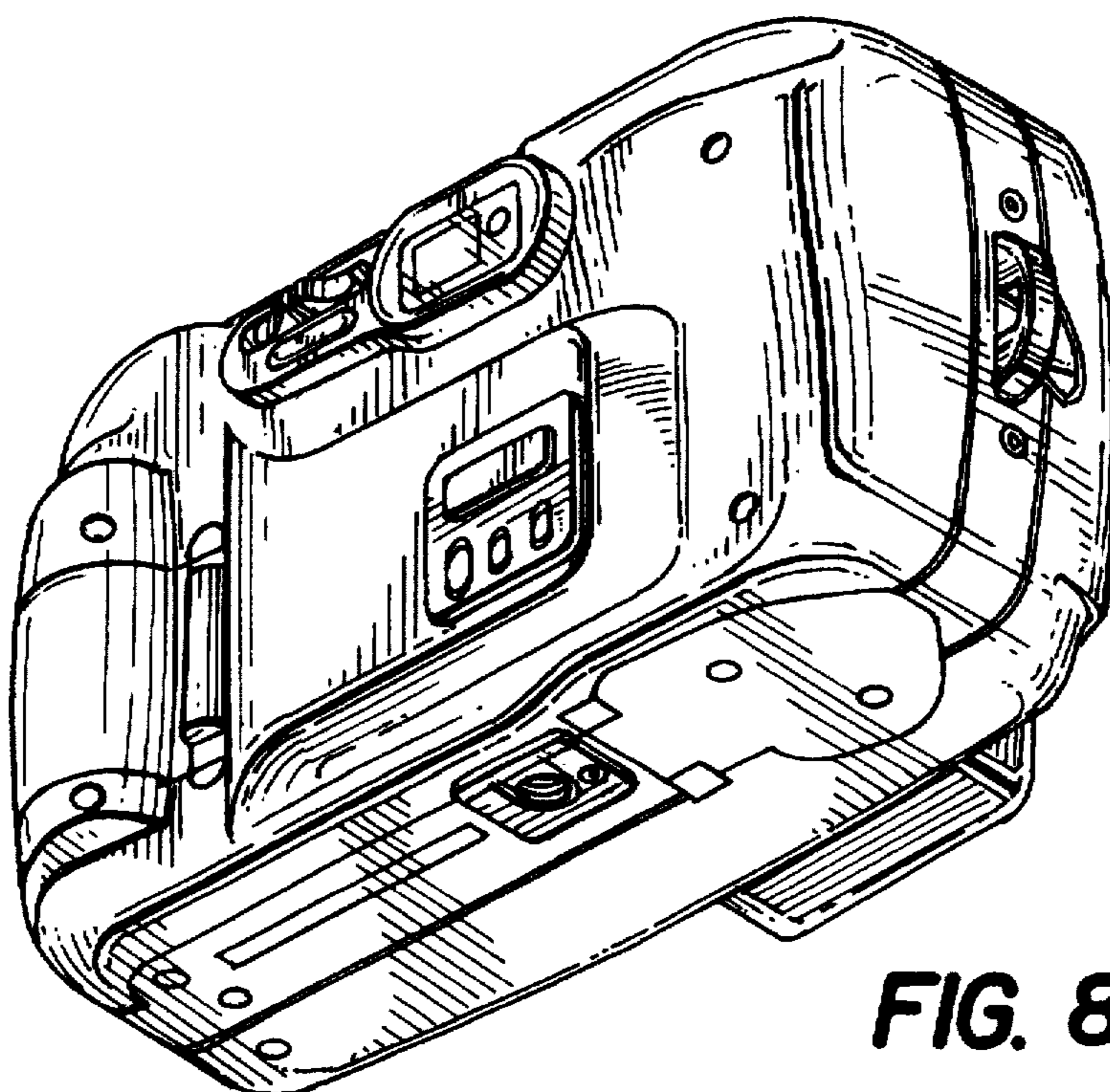
**FIG. 5**



**FIG. 6**



**FIG. 7**



**FIG. 8**