



US00D395324S

United States Patent [19]
Welsh

[11] **Patent Number: Des. 395,324**
[45] **Date of Patent: **Jun. 16, 1998**

[54] **BASE FOR A SCROLL SAW**

5,363,733 11/1994 Baird et al. 83/786

[75] Inventor: **Robert P. Welsh**, Hunt Valley, Md.

Primary Examiner—Antoine Duval Davis
Attorney, Agent, or Firm—Adan Ayala

[73] Assignee: **Black & Decker Inc.**, Newark, Del.

[**] Term: **14 Years**

[57] **CLAIM**

[21] Appl. No.: **73,717**

The ornamental design for a base for a scroll saw, as shown and described.

[22] Filed: **Jul. 16, 1997**

DESCRIPTION

Related U.S. Application Data

[63] Continuation of Ser. No. 62,012, Nov. 5, 1996, which is a continuation of Ser. No. 51,852, Mar. 1, 1996, abandoned.

FIG. 1 is a left side perspective view from the front of my new design of a base for a scroll saw;

[51] **LOC (6) Cl.** **15-09**

FIG. 2 is a left side elevational view of my design;

[52] **U.S. Cl.** **D15/133**

FIG. 3 is a right side elevational view of my design;

[58] **Field of Search** D15/133; 83/783-786

FIG. 4 is a front elevational view of my design;

FIG. 5 is a rear elevational view of my design; and

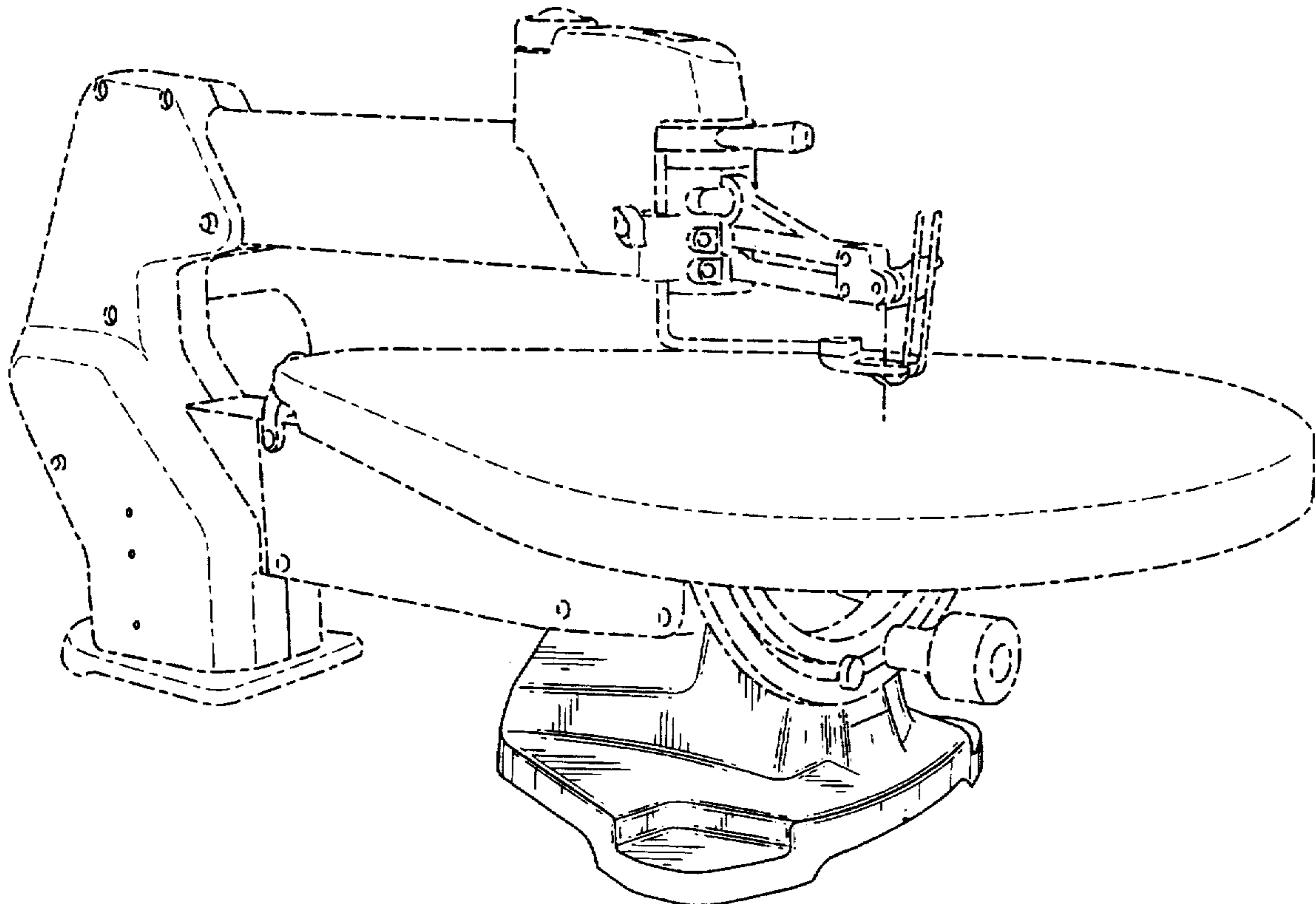
FIG. 6 is a right side perspective view from the rear of my new design.

[56] **References Cited**

U.S. PATENT DOCUMENTS

D. 350,968 9/1994 Chang D15/133

1 Claim, 5 Drawing Sheets



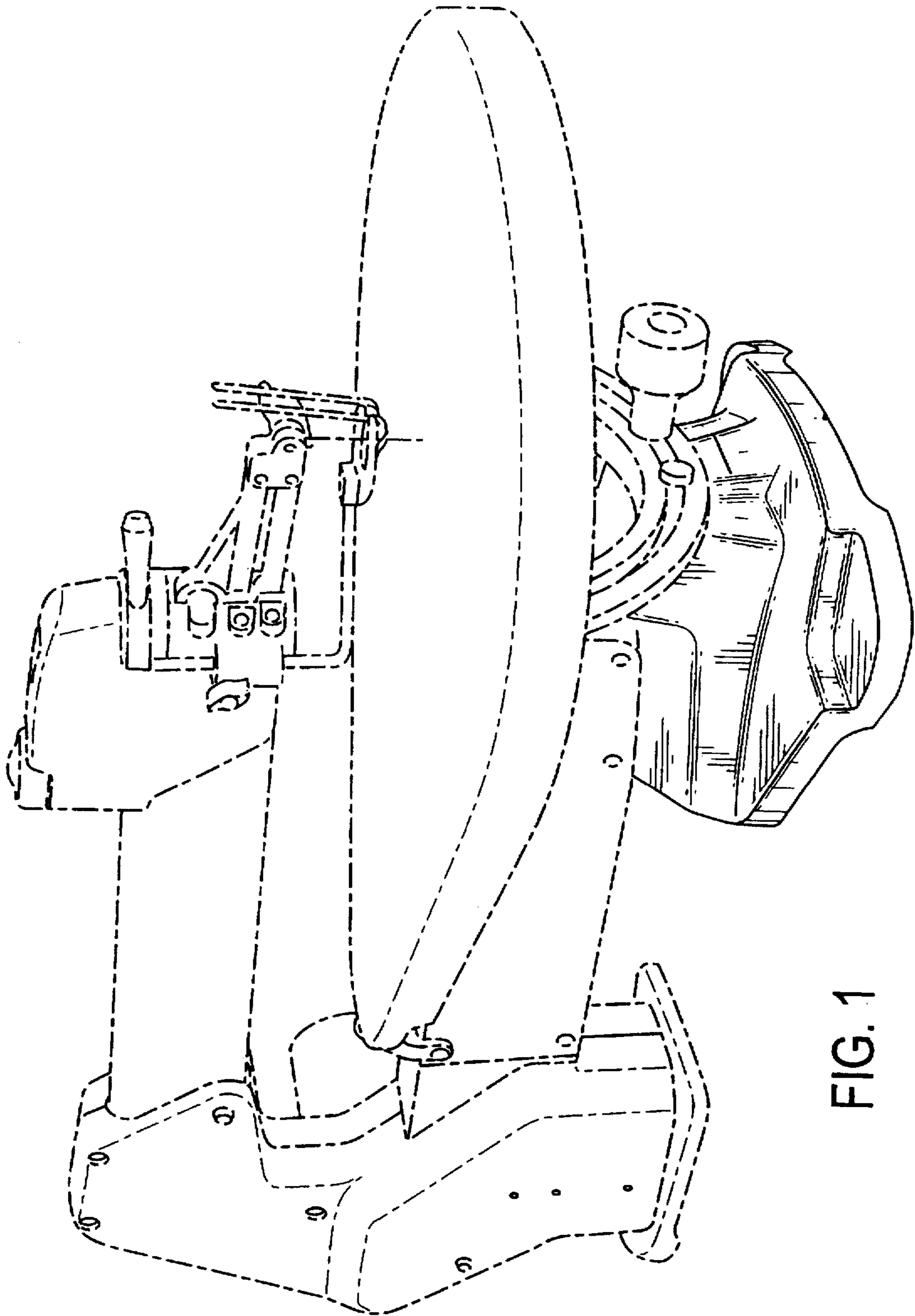


FIG. 1

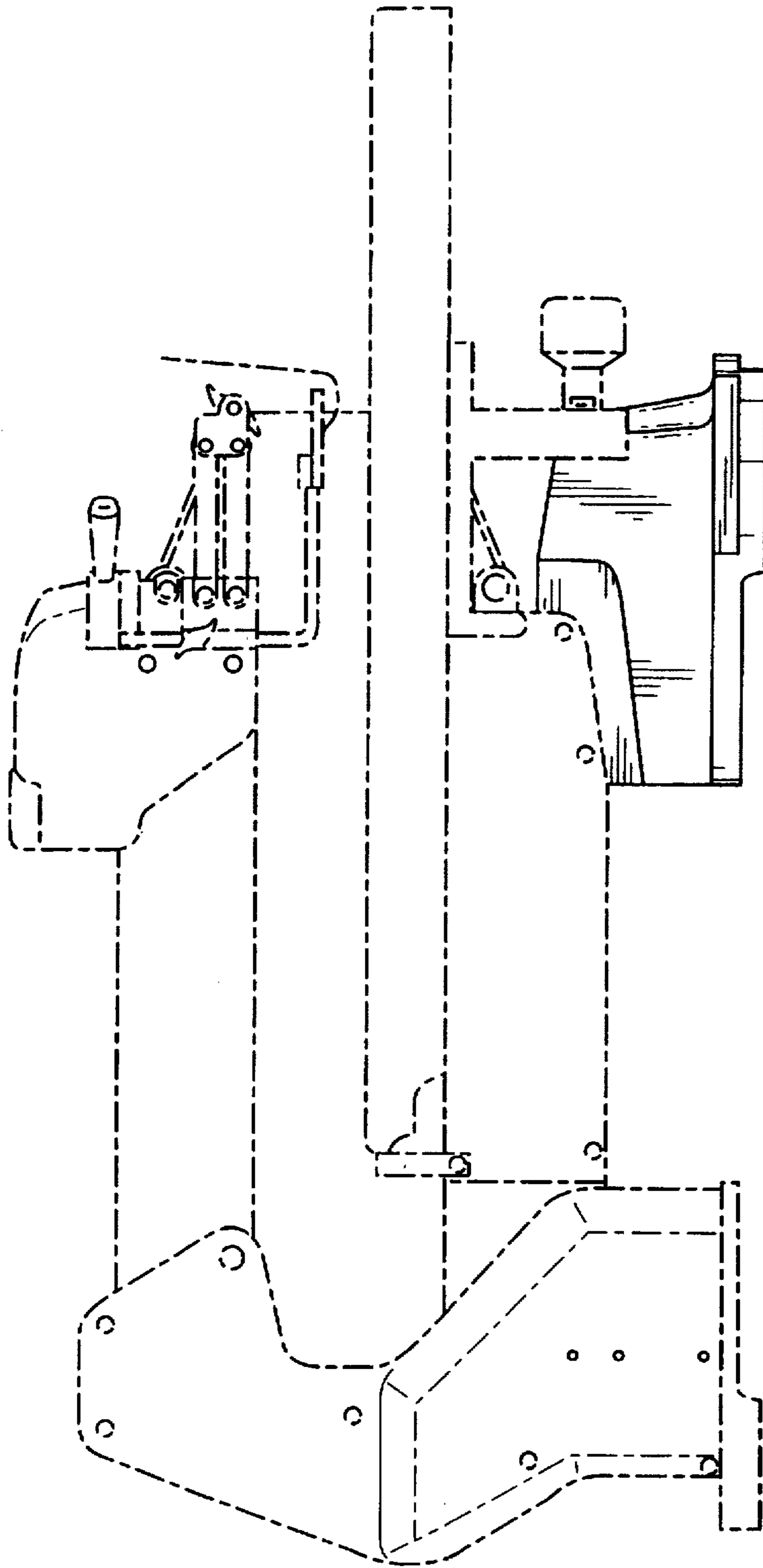


FIG. 2

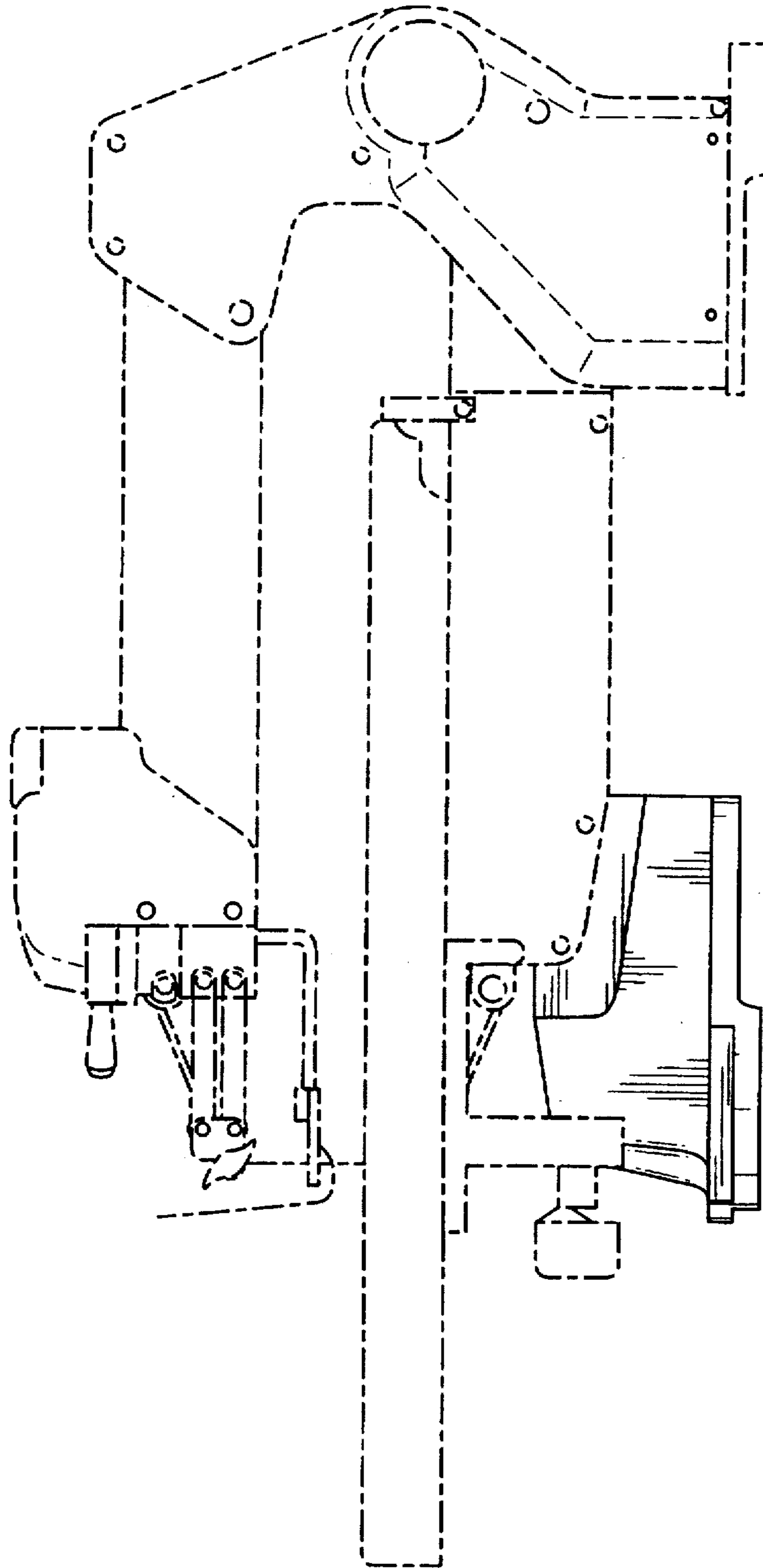


FIG. 3

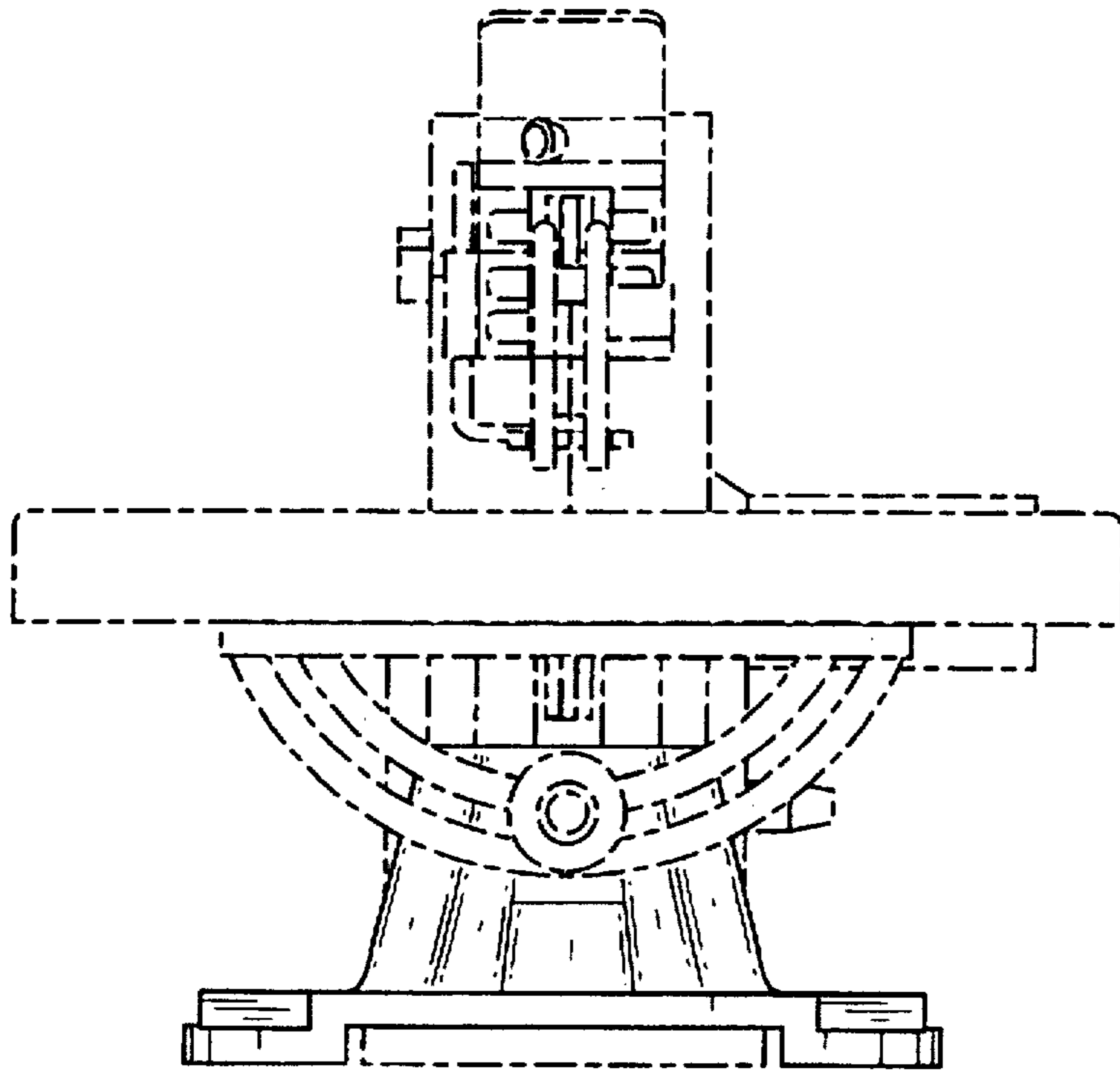


FIG. 4

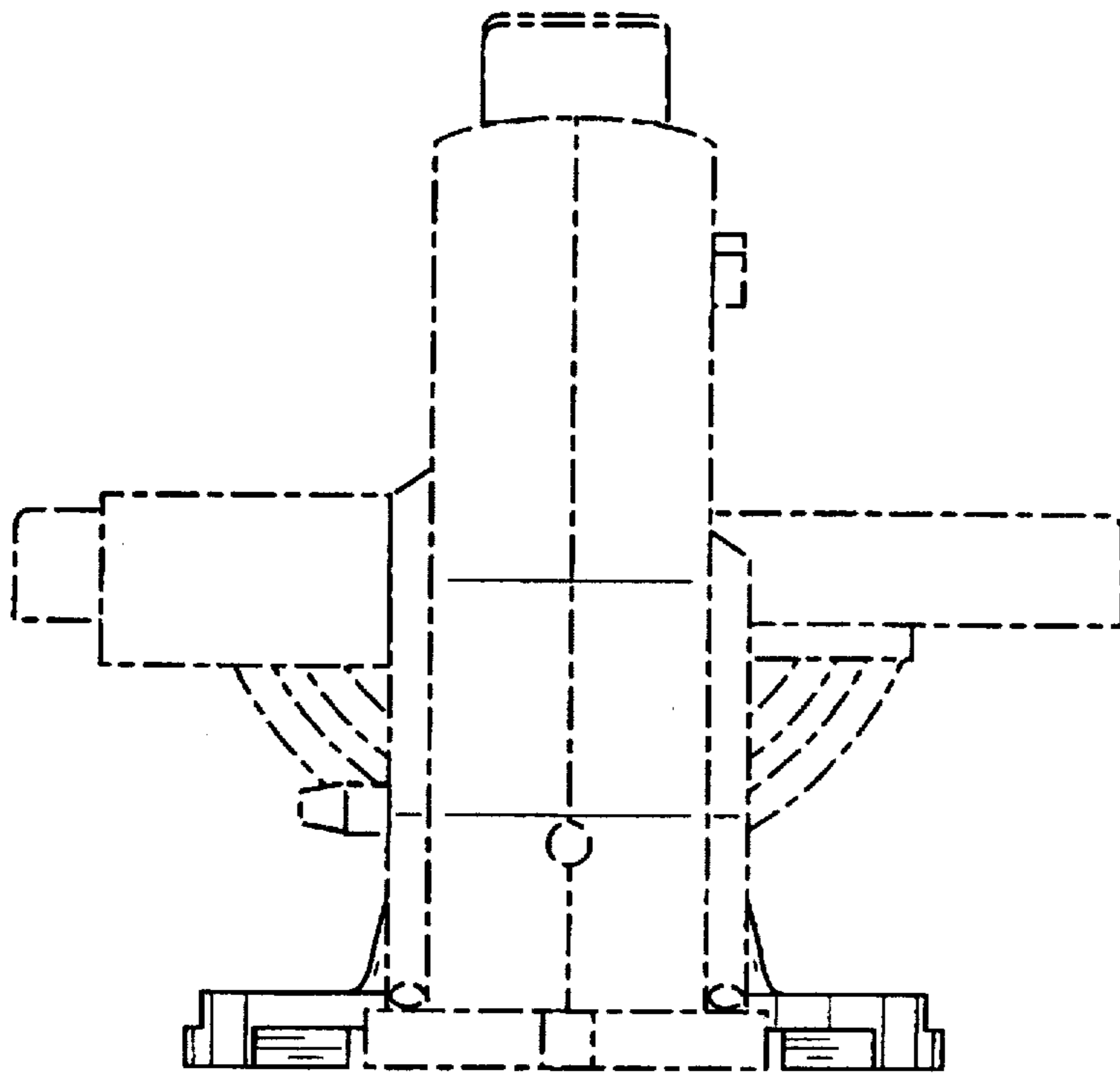


FIG. 5

