



US00D395322S

United States Patent [19]

Ceroll et al.

[11] Patent Number: **Des. 395,322**

[45] Date of Patent: ****Jun. 16, 1998**

[54] **BLADE HOLDER FOR A TABLE SAW**

[75] Inventors: **Warren A. Ceroll**, Owings Mills; **Robert S. Gehret**, Hampstead; **Daniel Puzio**, Baltimore; **Frederick R. Bean**, Finksburg; **Michael L. O'Banion**, Westminster, all of Md.; **David A. Porter**, Hanover, Pa.; **Daniel A. Ferrara, Jr.**, Bantam, Conn.

[73] Assignee: **Black & Decker Inc.**, Newark, Del.

[**] Term: **14 Years**

[21] Appl. No.: **70,477**

[22] Filed: **May 8, 1997**

Related U.S. Application Data

[63] Continuation of Ser. No. 57,853, Aug. 1, 1996, which is a continuation of Ser. No. 51,851, Mar. 1, 1996, abandoned.

[51] LOC (6) Cl. **15-09**

[52] U.S. Cl. **D15/133**

[58] Field of Search **D15/133; 83/432, 83/435, 468.3, 468.7, 477, 477.2, 478, 522.3, 522.1; 269/318, 165, 180**

[56] **References Cited**

U.S. PATENT DOCUMENTS

D. 354,757	1/1995	Wixey	D15/133
5,116,249	5/1992	Shiotani et al.	83/468.7 X
5,230,269	7/1993	Shiotani et al.	83/468.7

Primary Examiner—Antoine Duval Davis
Attorney, Agent, or Firm—Adan Ayala

[57] **CLAIM**

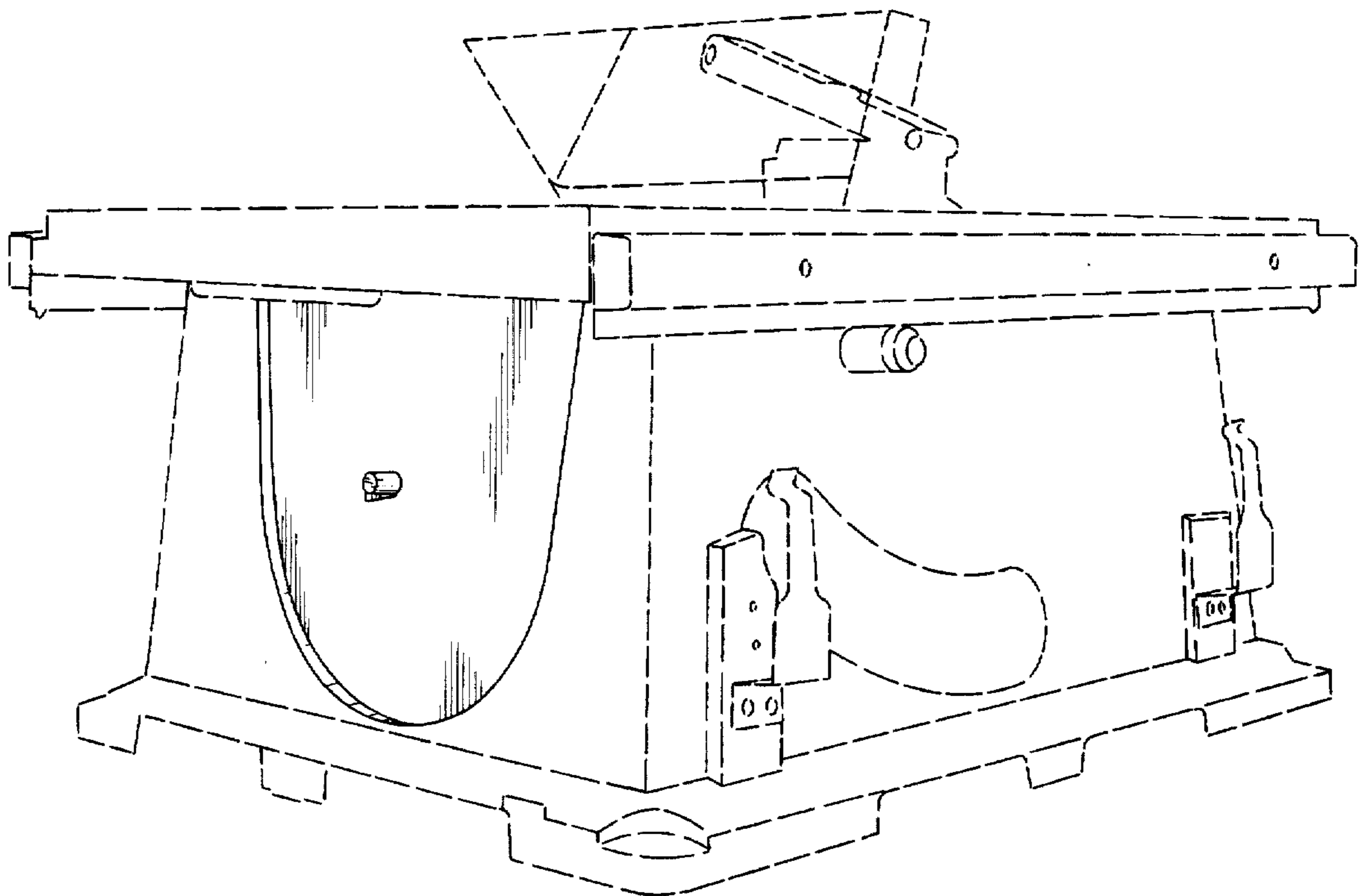
The ornamental design for a blade holder for a table saw, as shown and described.

DESCRIPTION

FIG. 1 is a rear perspective view from the right side of an embodiment of a blade holder for a table saw showing our new design; and,

FIG. 2 is a right side elevational view of the embodiment. In the above drawings, any broken line illustration is not part of the design sought to be patented. In addition, any views not shown thereof do not form a part of the invention.

1 Claim, 2 Drawing Sheets



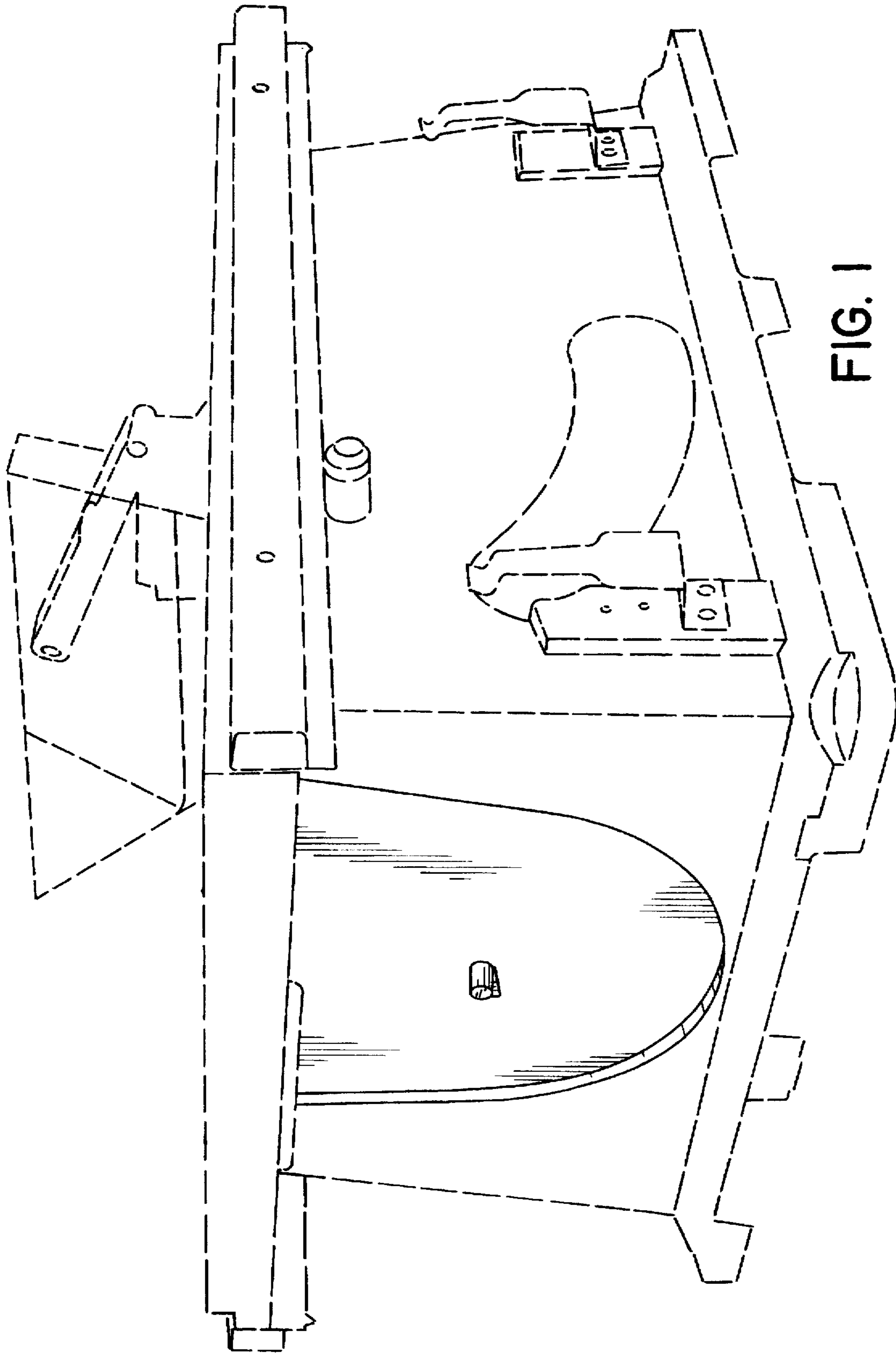


FIG. 1

