



US00D395319S

United States Patent [19]

[11] Patent Number: **Des. 395,319**

Kortenhorn et al.

[45] Date of Patent: ****Jun. 16, 1998**

[54] **VEHICLE GRILL**

[75] Inventors: **Peter H. Kortenhorn**, Sheboygan;
Terry J. Petski, Port Washington;
Casey J. Bolek, Kewaskum, all of Wis.

[73] Assignee: **Simplicity Manufacturing, Inc.**, Port Washington, Wis.

[**] Term: **14 Years**

[21] Appl. No.: **71,452**

[22] Filed: **May 29, 1997**

[51] LOC (6) Cl. **15-03**

[52] U.S. Cl. **D15/31**

[58] Field of Search D12/163; D15/10,
D15/14-17, 28, 31; 293/115, 144, 146,
148; 56/320.1, 320.2; 180/89.1, 89.12,
900

[56] **References Cited**

U.S. PATENT DOCUMENTS

D. 347,846	6/1994	Derreberry et al.	D15/28
2,283,436	5/1942	Hawkins, Sr.	293/115
3,438,667	4/1969	Davis	293/115
4,368,855	1/1983	Koch	293/146
5,215,343	6/1993	Fortune	293/144

FOREIGN PATENT DOCUMENTS

2803209	7/1979	Germany	293/144
---------	--------	--------------	---------

Primary Examiner—Sandra L. Morris

Attorney, Agent, or Firm—Reinhart, Boerner, Van Deuren
Norris & Rieselbach, s.c.

[57] **CLAIM**

The ornamental design for a vehicle grill, as shown and described.

DESCRIPTION

FIG. 1 is a perspective view of a vehicle grill showing our new design;

FIG. 2 is a front elevational view of the vehicle grill shown in FIG. 1;

FIG. 3 is rear elevational view of the vehicle grill shown in FIG. 1;

FIG. 4 is a side elevational view of the vehicle grill shown in FIG. 1, the opposite side elevational view being a mirror image;

FIG. 5 is a top plan view of the vehicle grill shown in FIG. 1;

FIG. 6 is a bottom plan view of the vehicle grill shown in FIG. 1;

FIG. 7 is a perspective view of a vehicle grill showing a second embodiment of our new design;

FIG. 8 is a front elevational view of the vehicle grill shown in FIG. 7;

FIG. 9 is rear elevational view of the vehicle grill shown in FIG. 7;

FIG. 10 is a side elevational view of the vehicle grill shown in FIG. 7, the opposite side elevational view being a mirror image;

FIG. 11 is a top plan view of the vehicle grill shown in FIG. 7;

FIG. 12 is a bottom plan view of the vehicle grill shown in FIG. 7;

FIG. 13 is a perspective view of a vehicle grill showing a third embodiment of our new design;

FIG. 14 is a front elevational view of the vehicle grill shown in FIG. 13;

FIG. 15 is rear elevational view of the vehicle grill shown in FIG. 13;

FIG. 16 is a side elevational view of the vehicle grill shown in FIG. 13, the opposite side elevational view being a mirror image;

FIG. 17 is a top plan view of the vehicle grill shown in FIG. 13; and,

FIG. 18 is a bottom plan view of the vehicle grill shown in FIG. 13.

The broken lines showing a portion of a vehicle are for the purpose of illustrating unclaimed environmental structure only. FIGS. 2-6, 8-12, and 14-18 are shown on an enlarged scale.

1 Claim, 12 Drawing Sheets

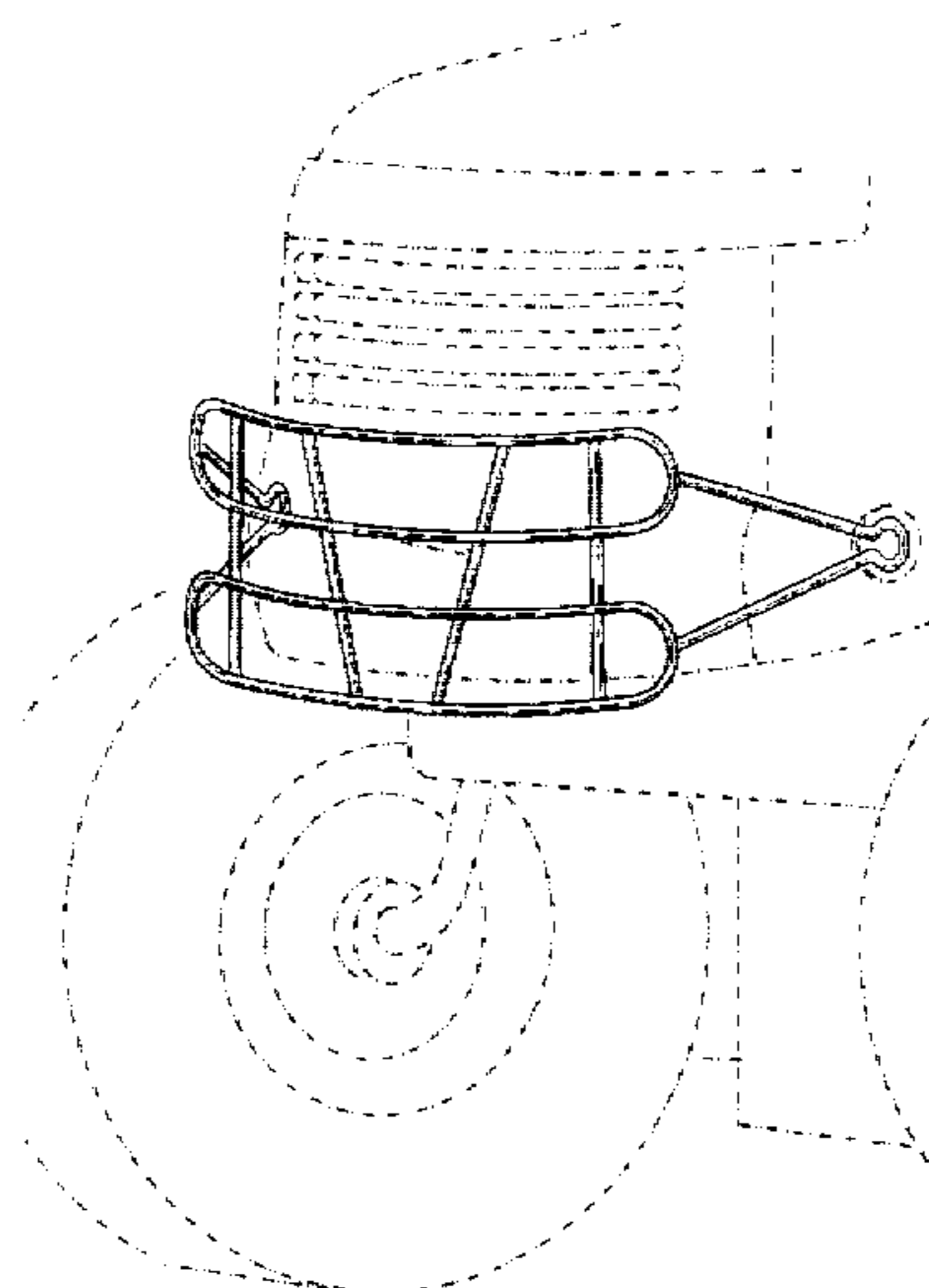


FIG. 1

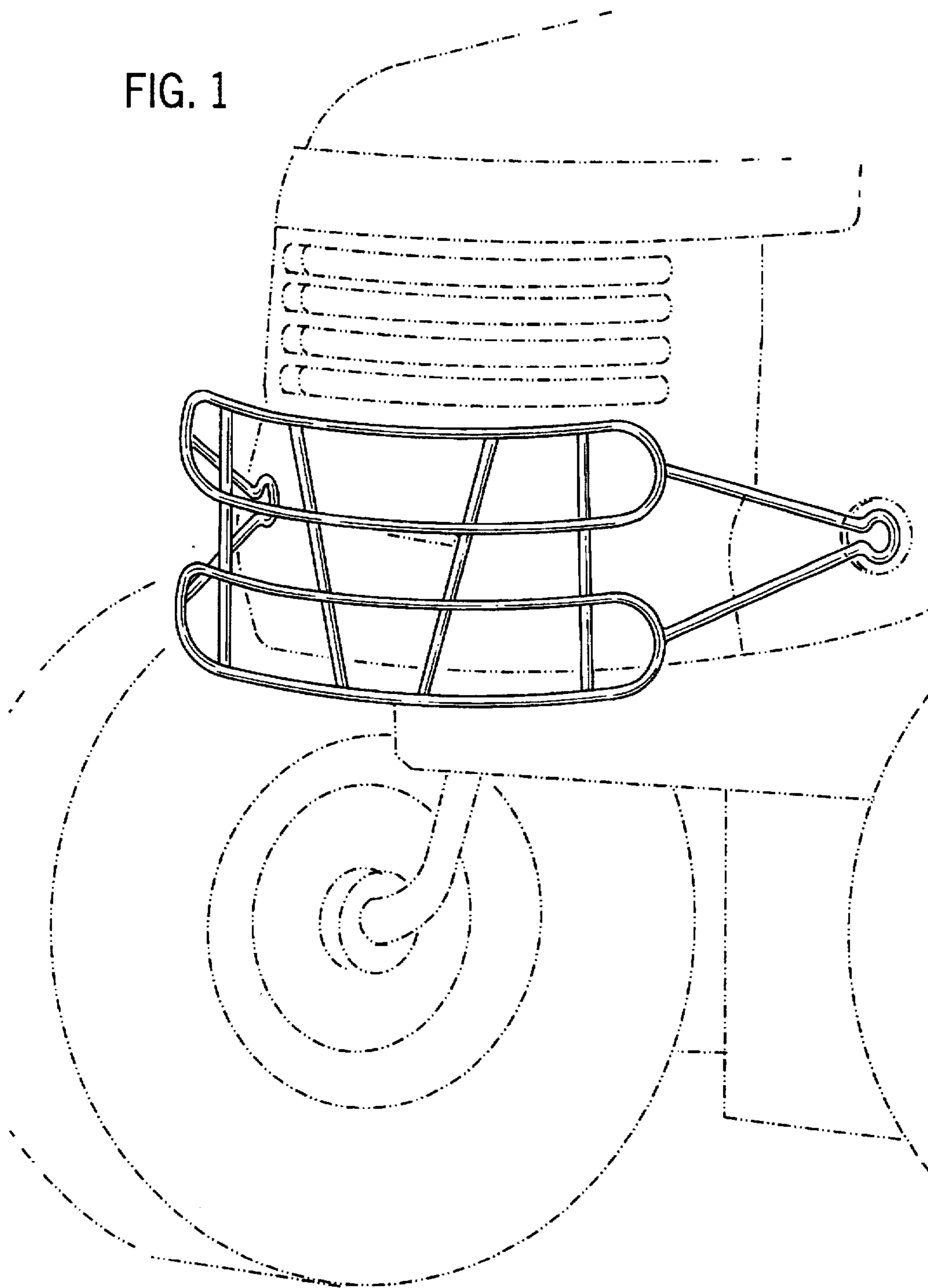


FIG. 5

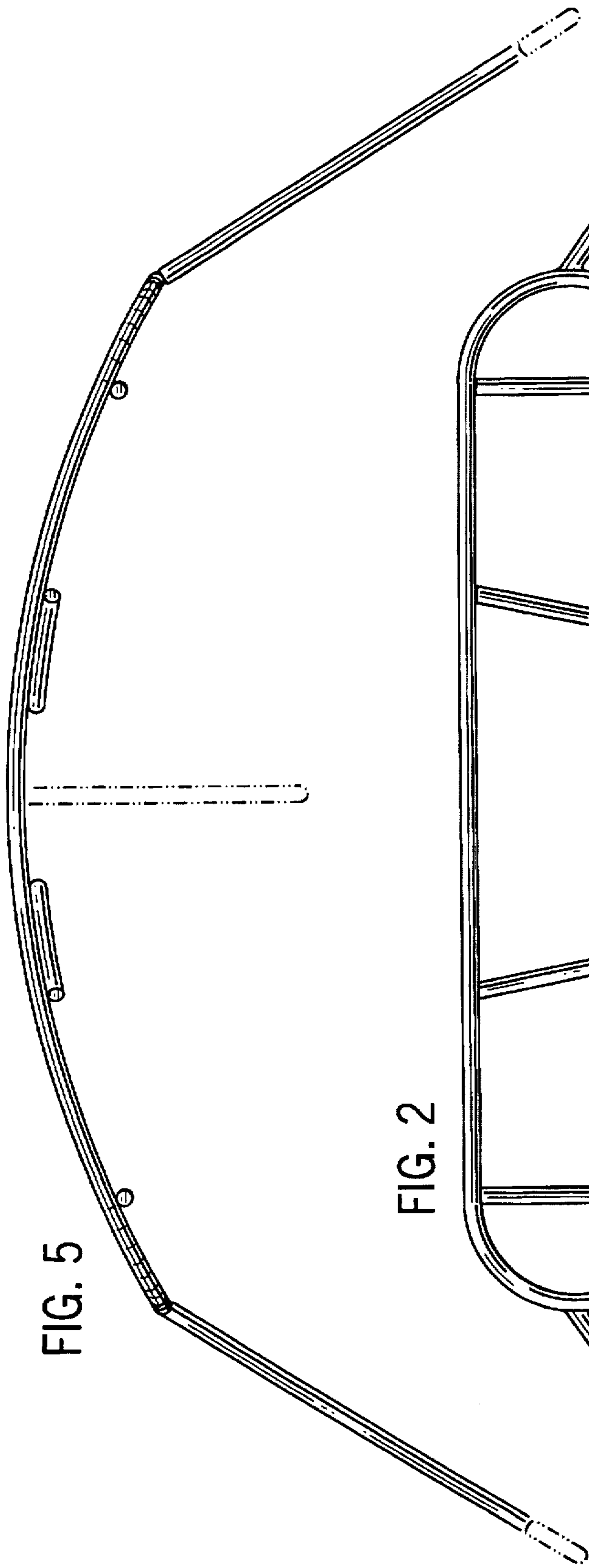
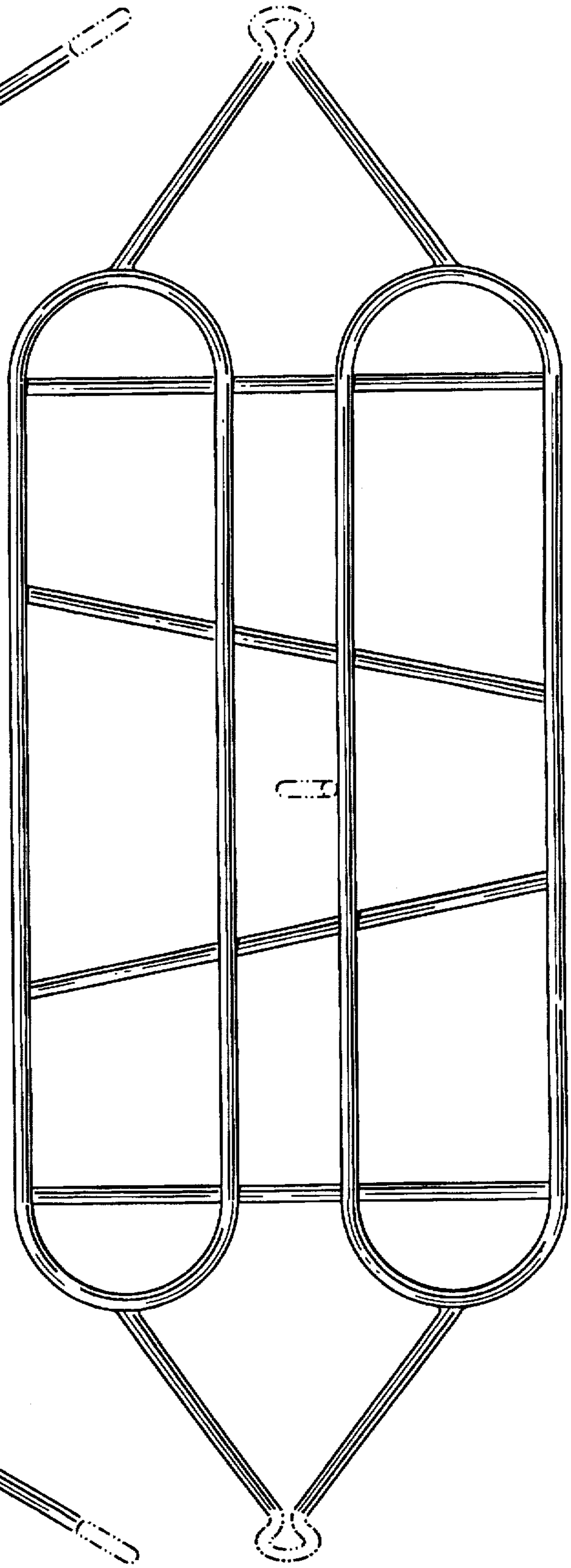


FIG. 2



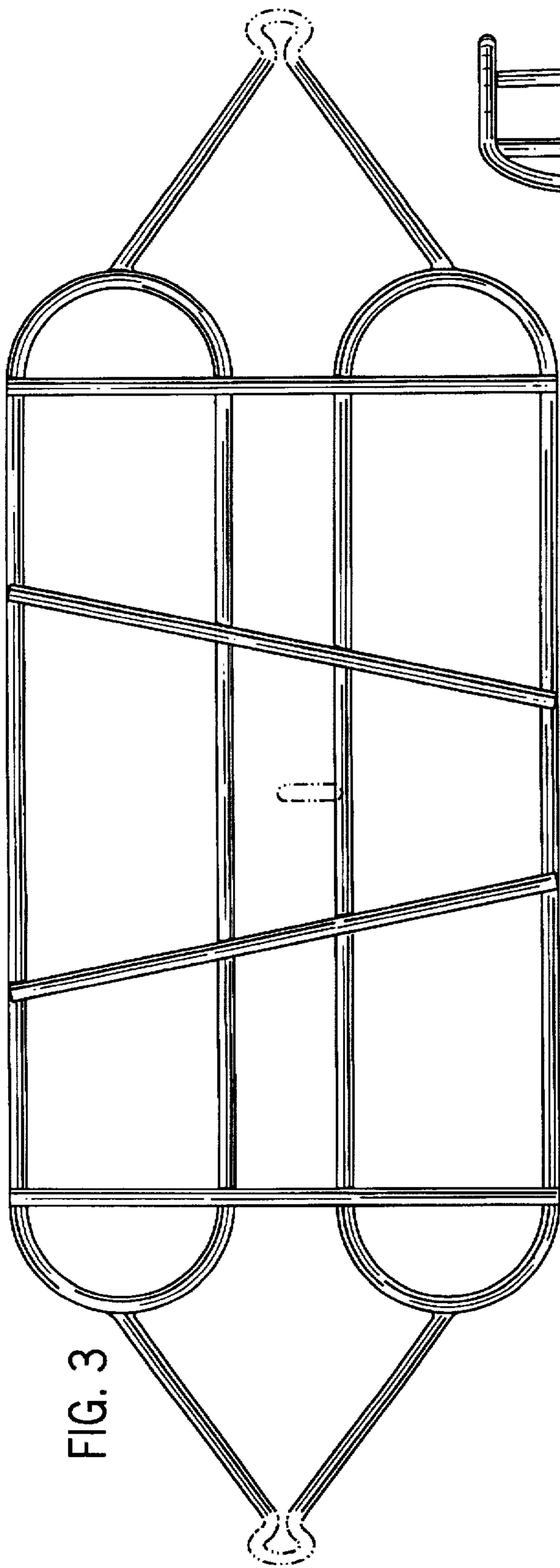


FIG. 3

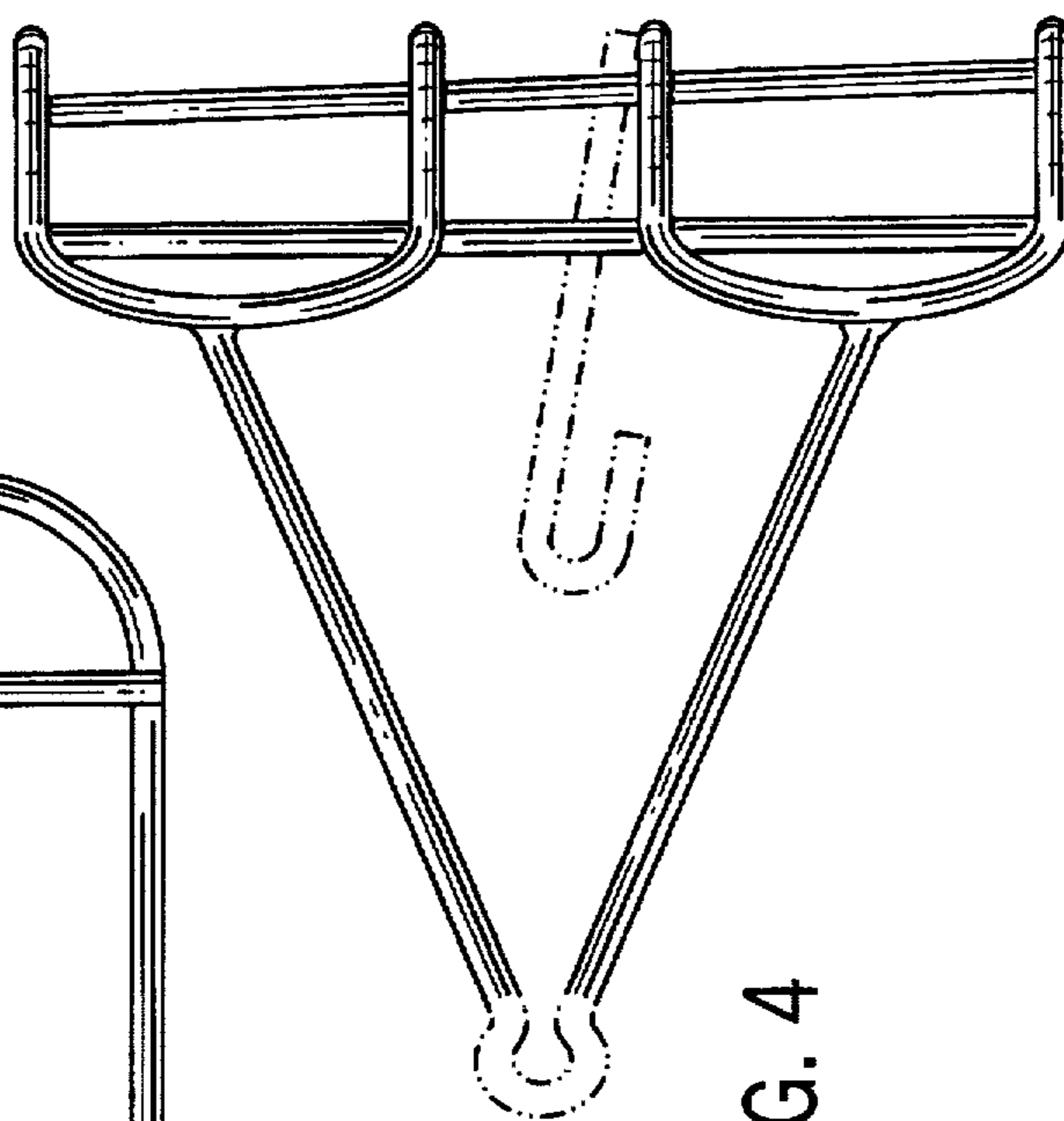


FIG. 4

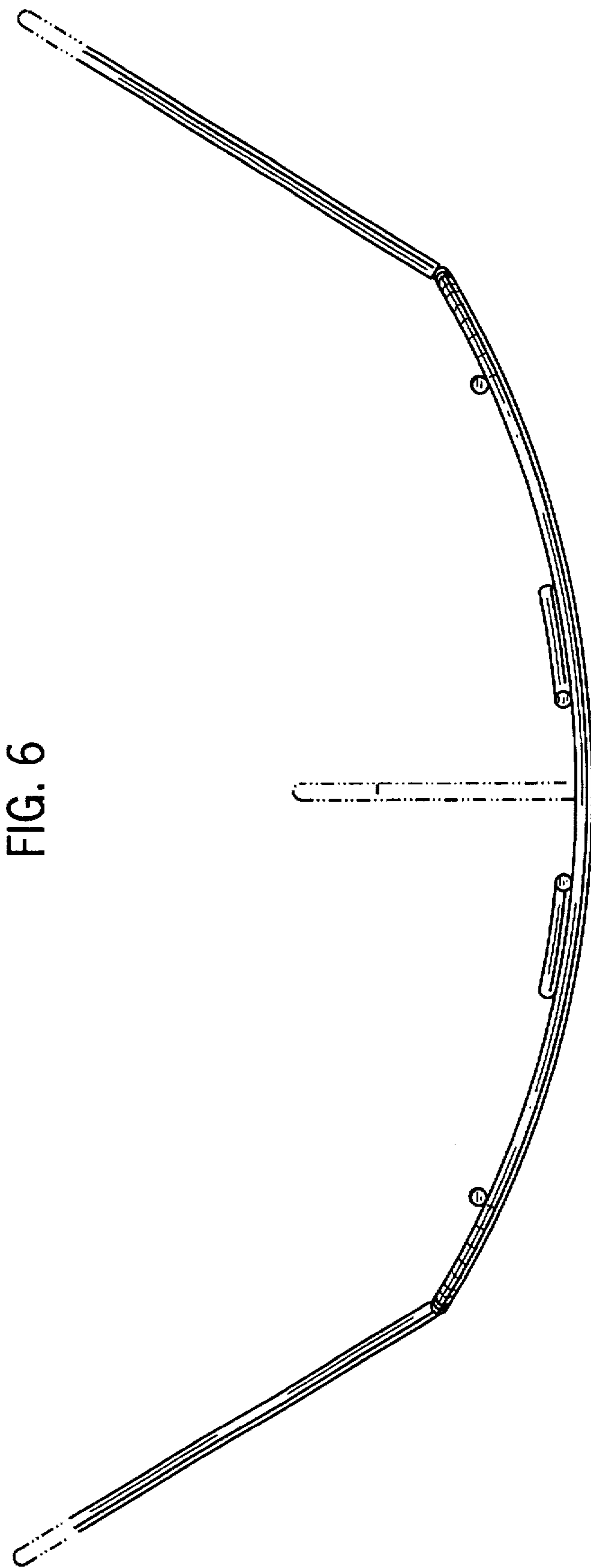
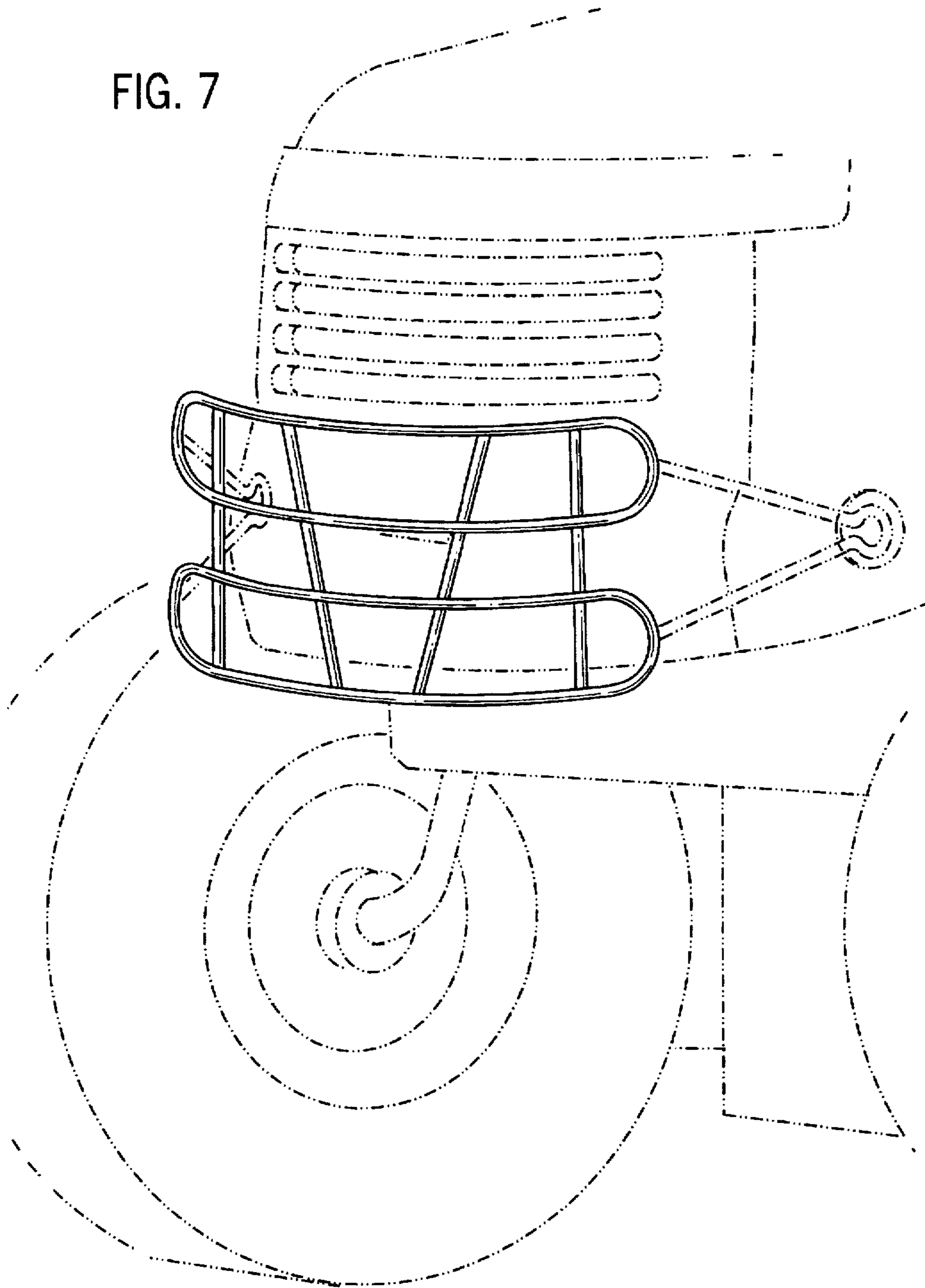


FIG. 6

FIG. 7



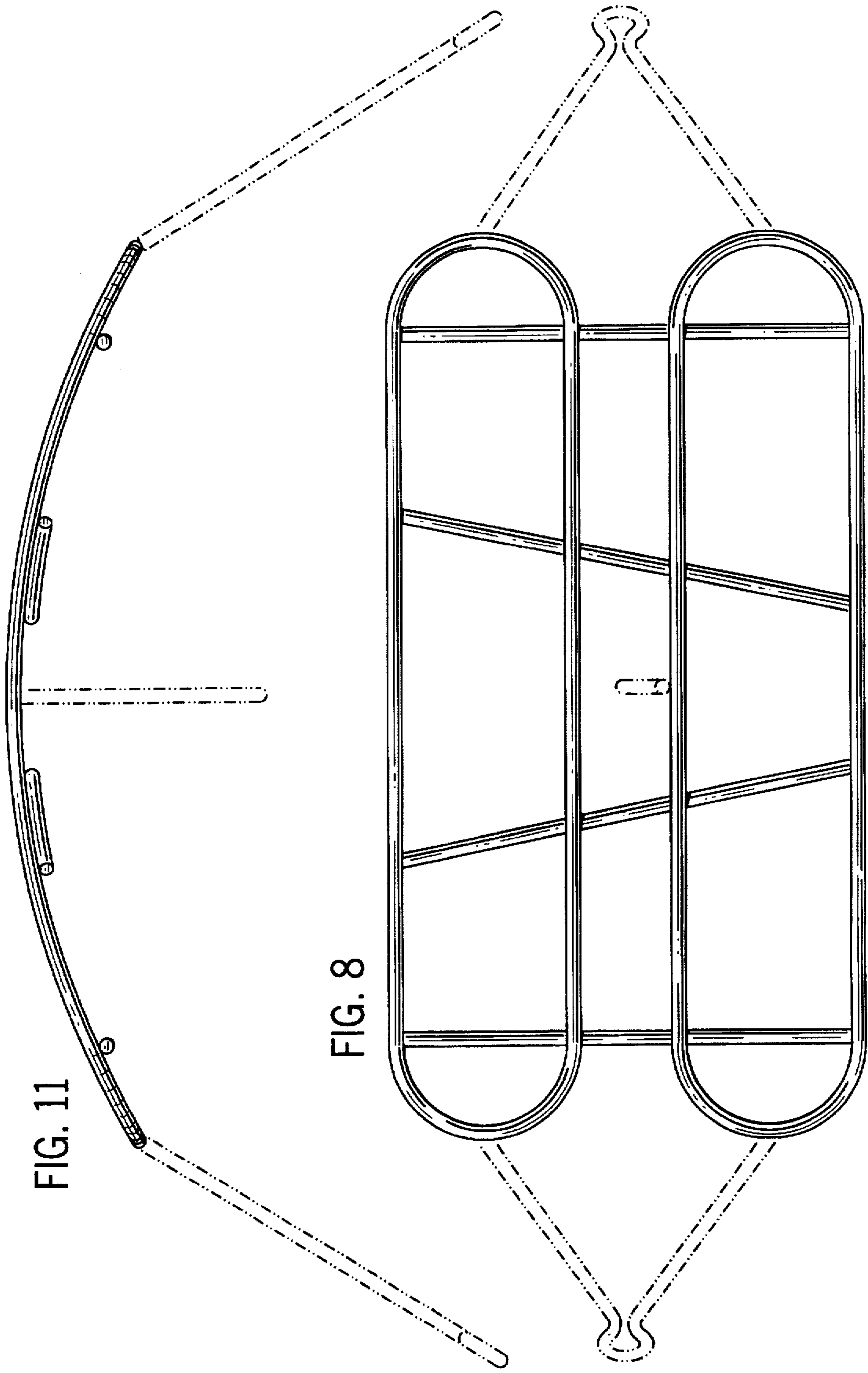


FIG. 8

FIG. 11

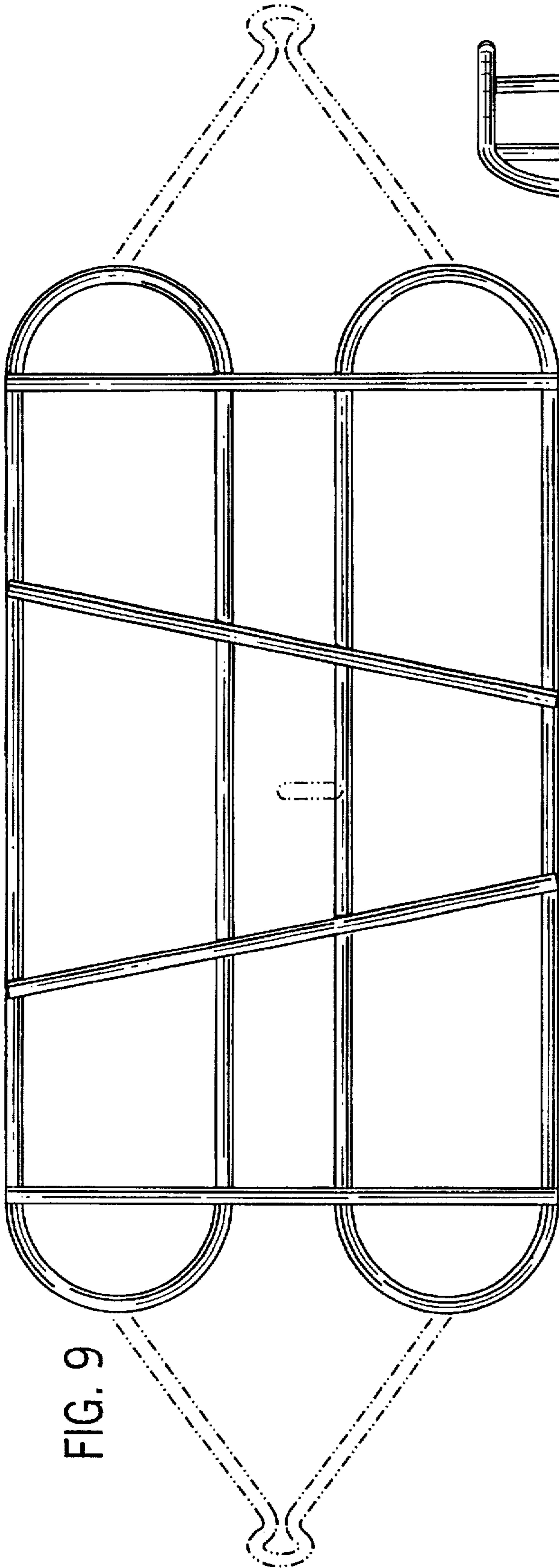


FIG. 9

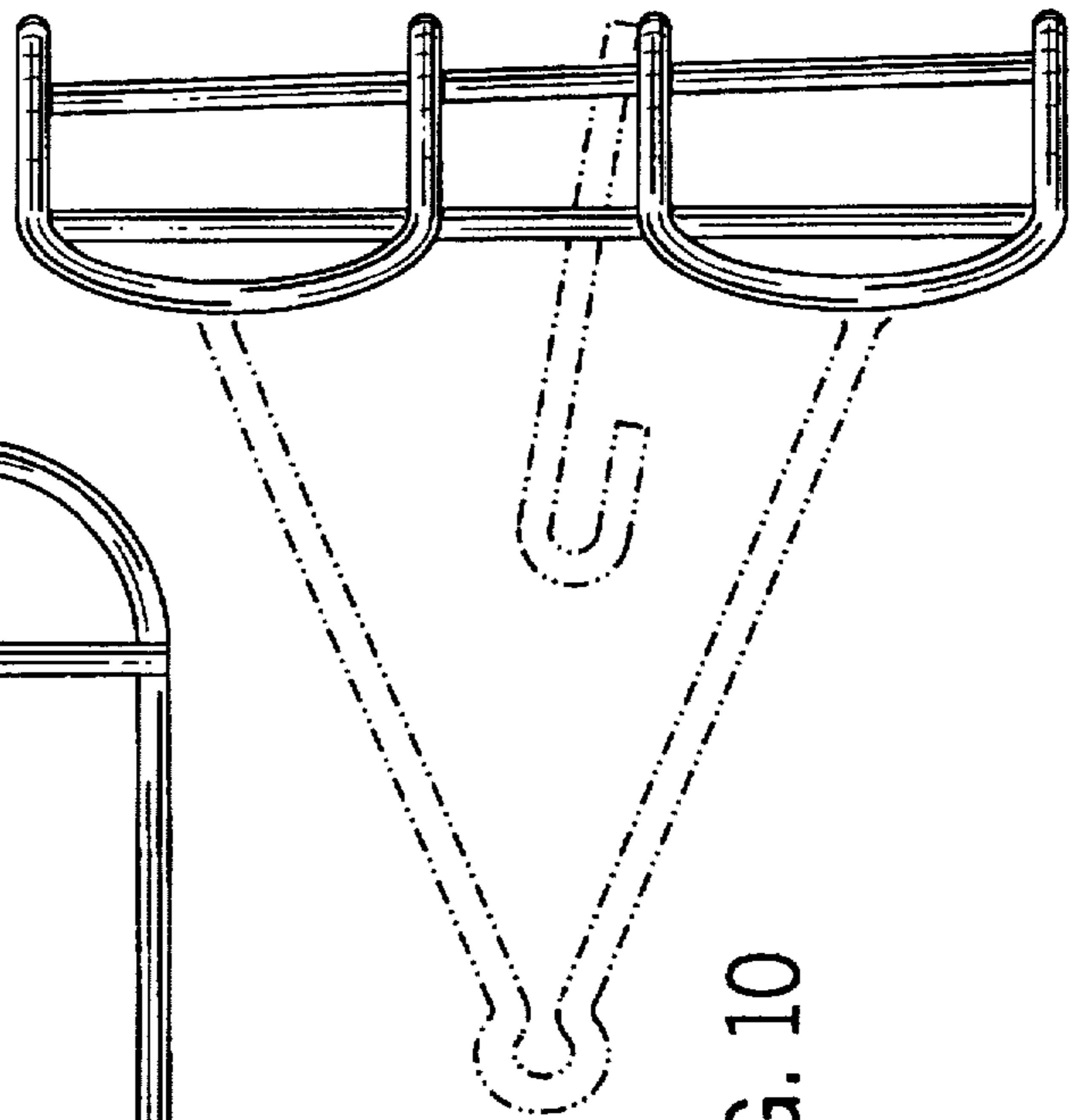


FIG. 10

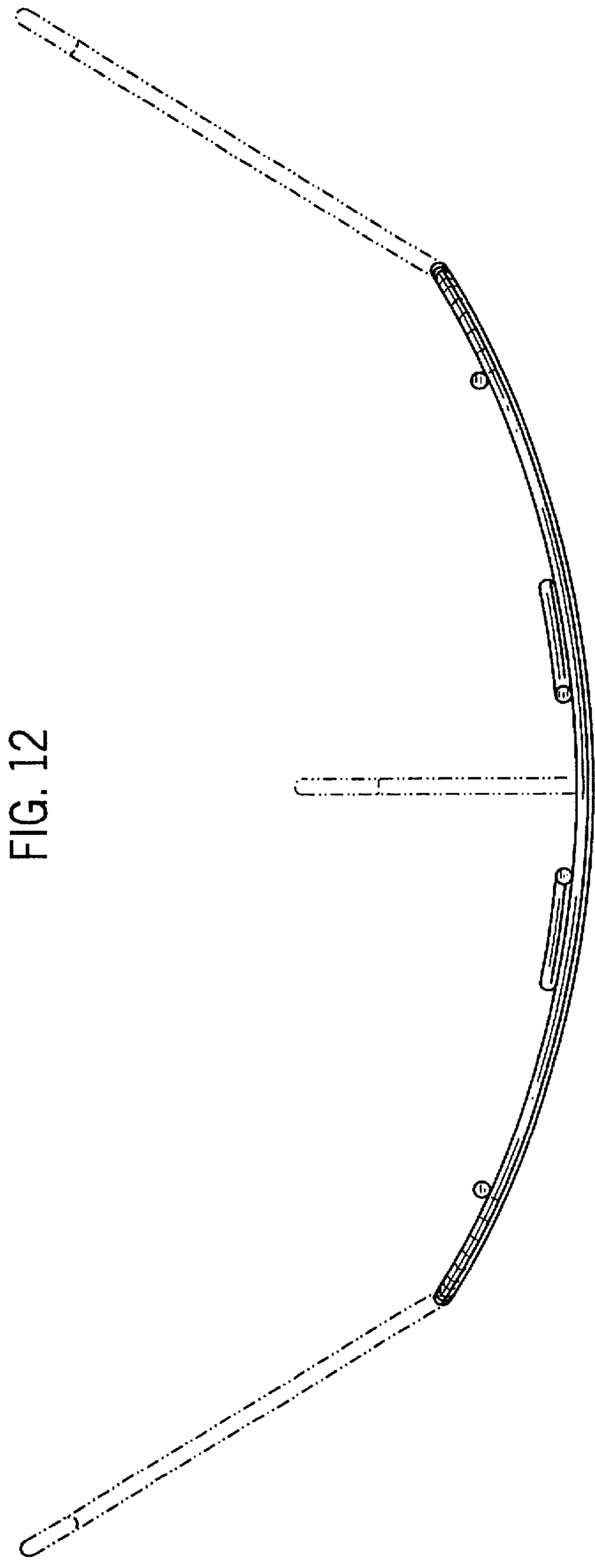
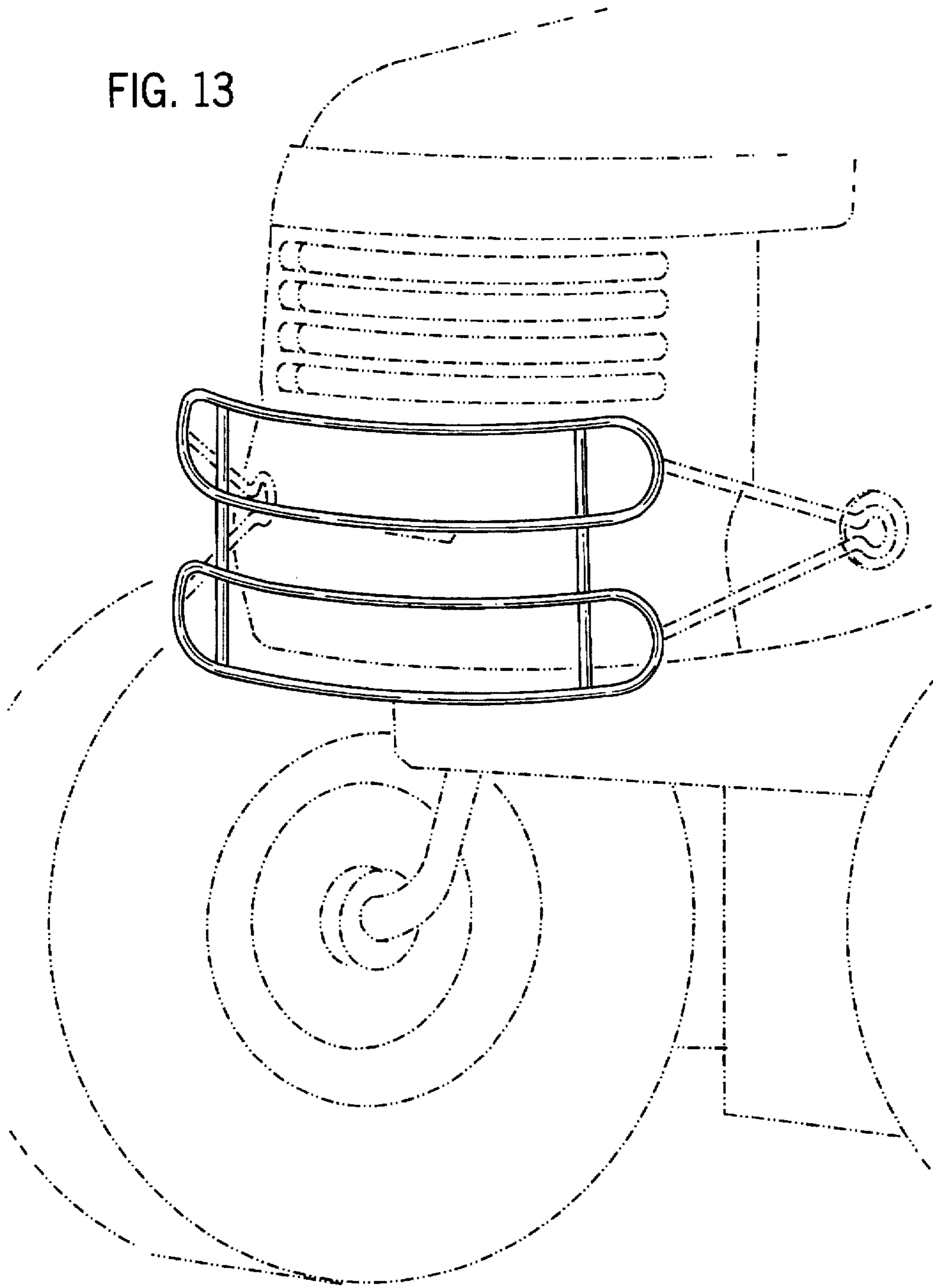


FIG. 12

FIG. 13



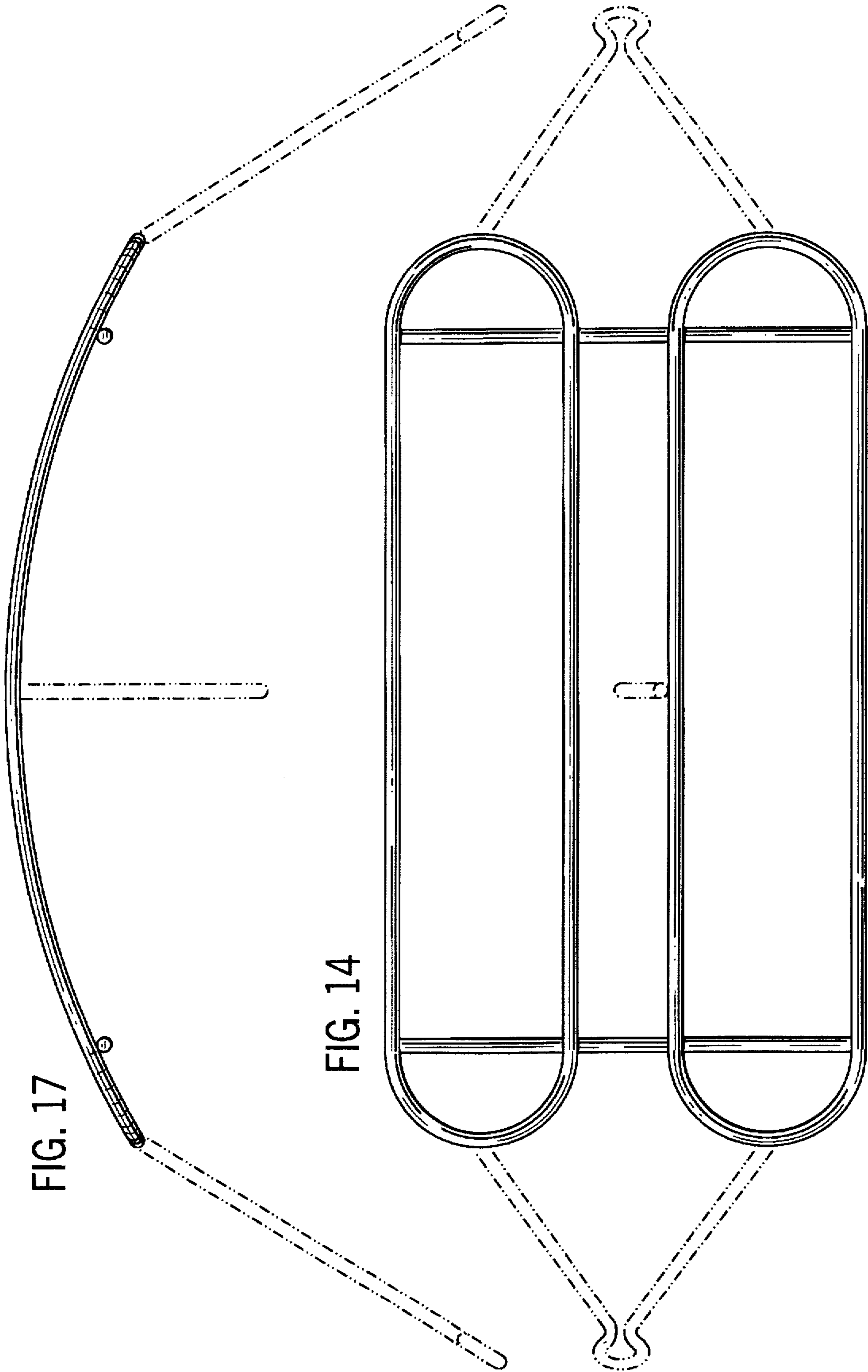
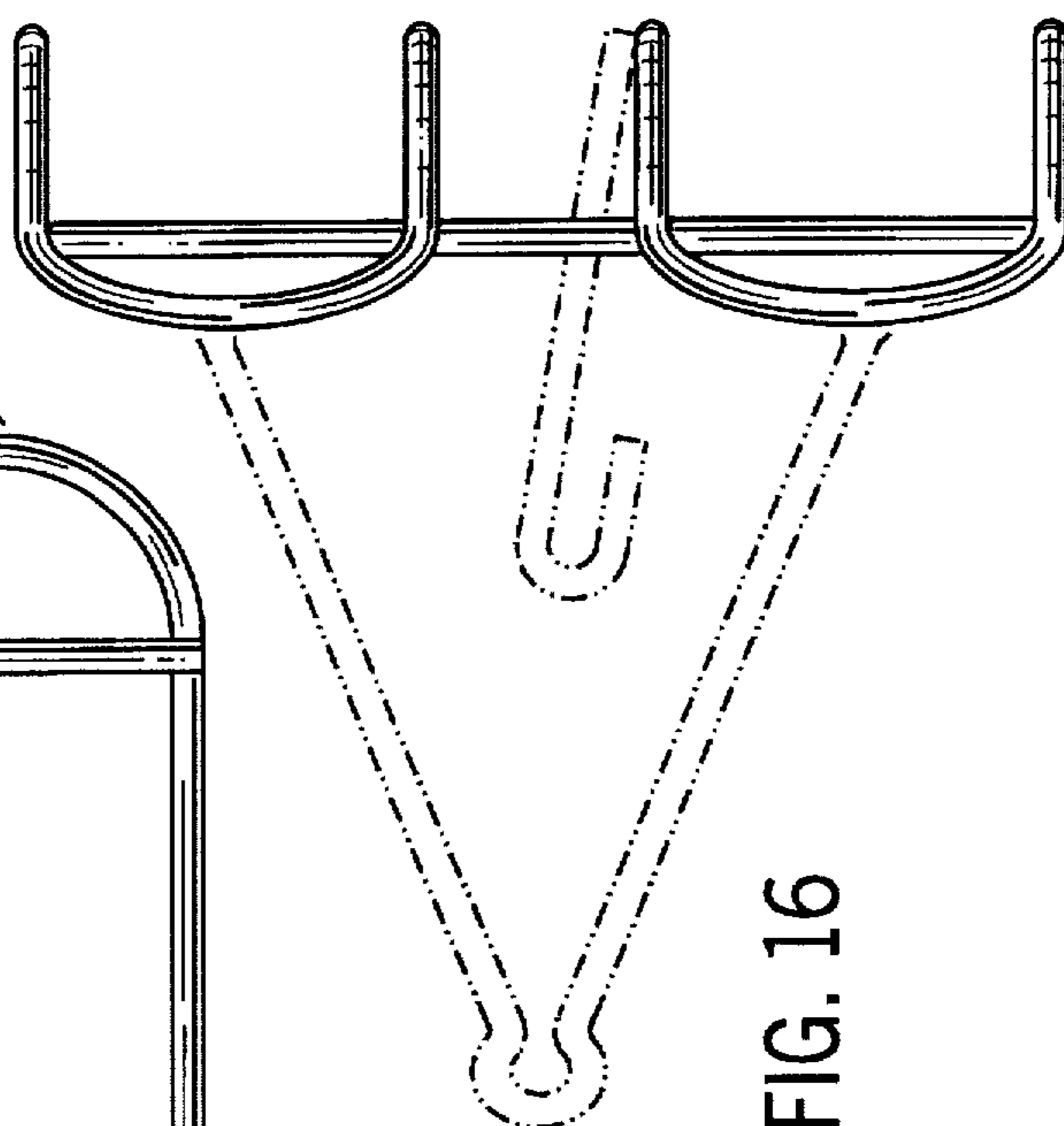
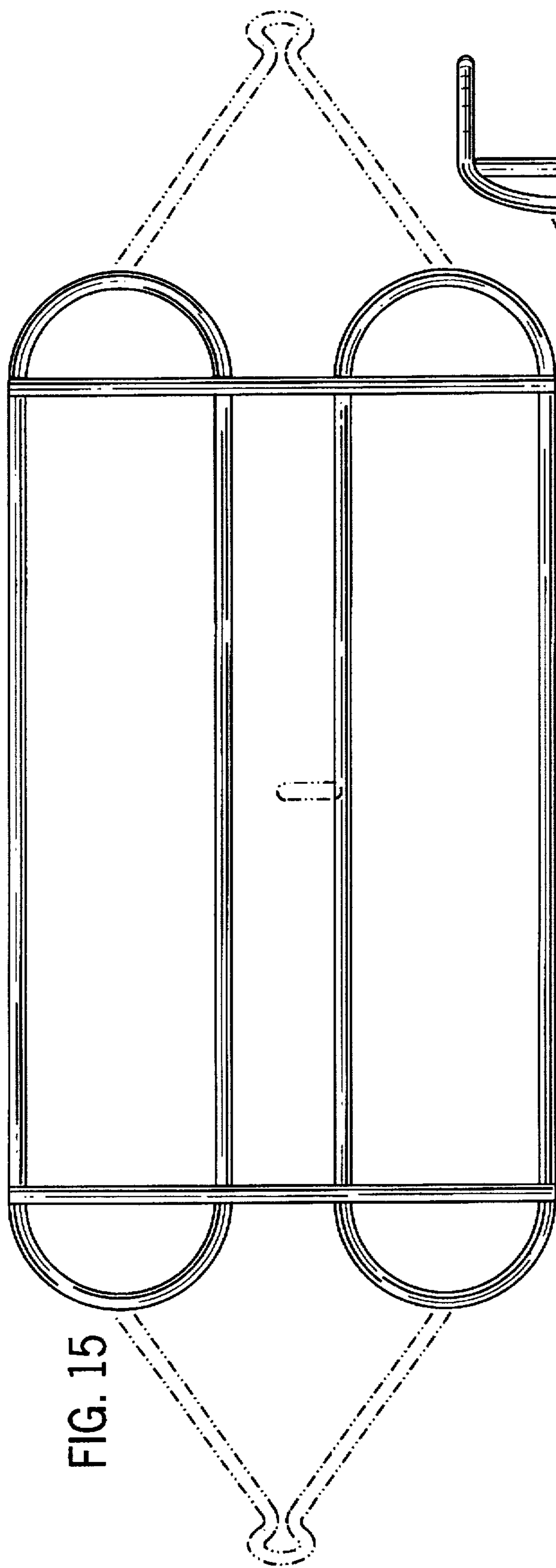


FIG. 14

FIG. 17



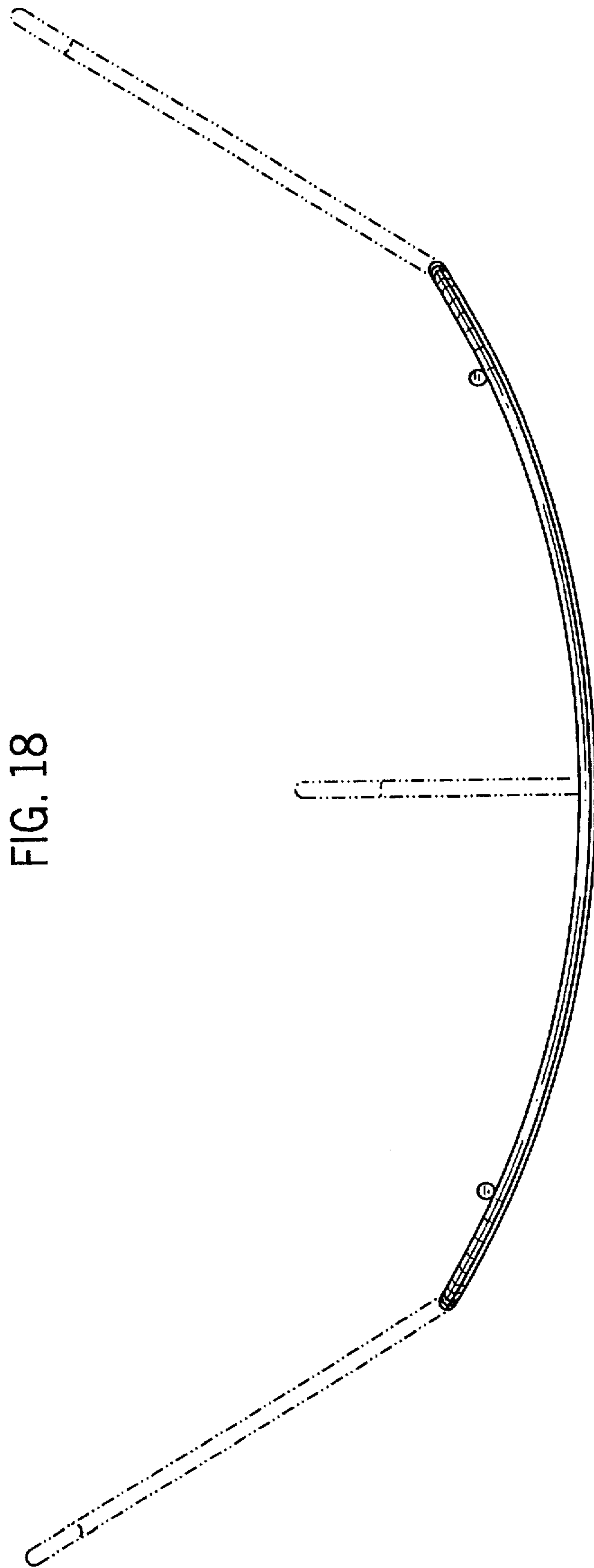


FIG. 18