



US00D395318S

# United States Patent [19] Wang

[11] Patent Number: **Des. 395,318**  
[45] Date of Patent: **\*\*Jun. 16, 1998**

[54] **PUMP FOR AQUARIUM**  
[75] Inventor: **Chiao-Ming Wang, Taichung Hsien, Taiwan**  
[73] Assignee: **Meiko Pet Corporation, Taichung Hsien, Taiwan**  
[\*\*] Term: **14 Years**  
[21] Appl. No.: **57,209**  
[22] Filed: **Jul. 19, 1996**  
[51] LOC (6) Cl. .... **15-02**  
[52] U.S. Cl. .... **D15/8**  
[58] Field of Search ..... D30/106; D15/78; 417/321; 210/169, 416.2

5,603,831 2/1997 Hickok ..... 210/415.2

### FOREIGN PATENT DOCUMENTS

93972 6/1983 Japan ..... 417/321

### OTHER PUBLICATIONS

Sternco Products Catalog; p. 34; #3675—Air Pump for Aquariums; Jul. 1971.  
Aquarium Stock CVo. Tropical Fish Handbook/catalog; p. 57; WISA Air/Water pumps; Jun. 1965.  
Sternco Products Catalog; p. 35; #4329—Virbator Air Pump; Jul. 1971.

*Primary Examiner*—Cathy Anne MacCormac  
*Attorney, Agent, or Firm*—Bacon & Thomas

### [57] CLAIM

The ornamental design for “pump for aquarium.” as shown and described.

### [56] References Cited

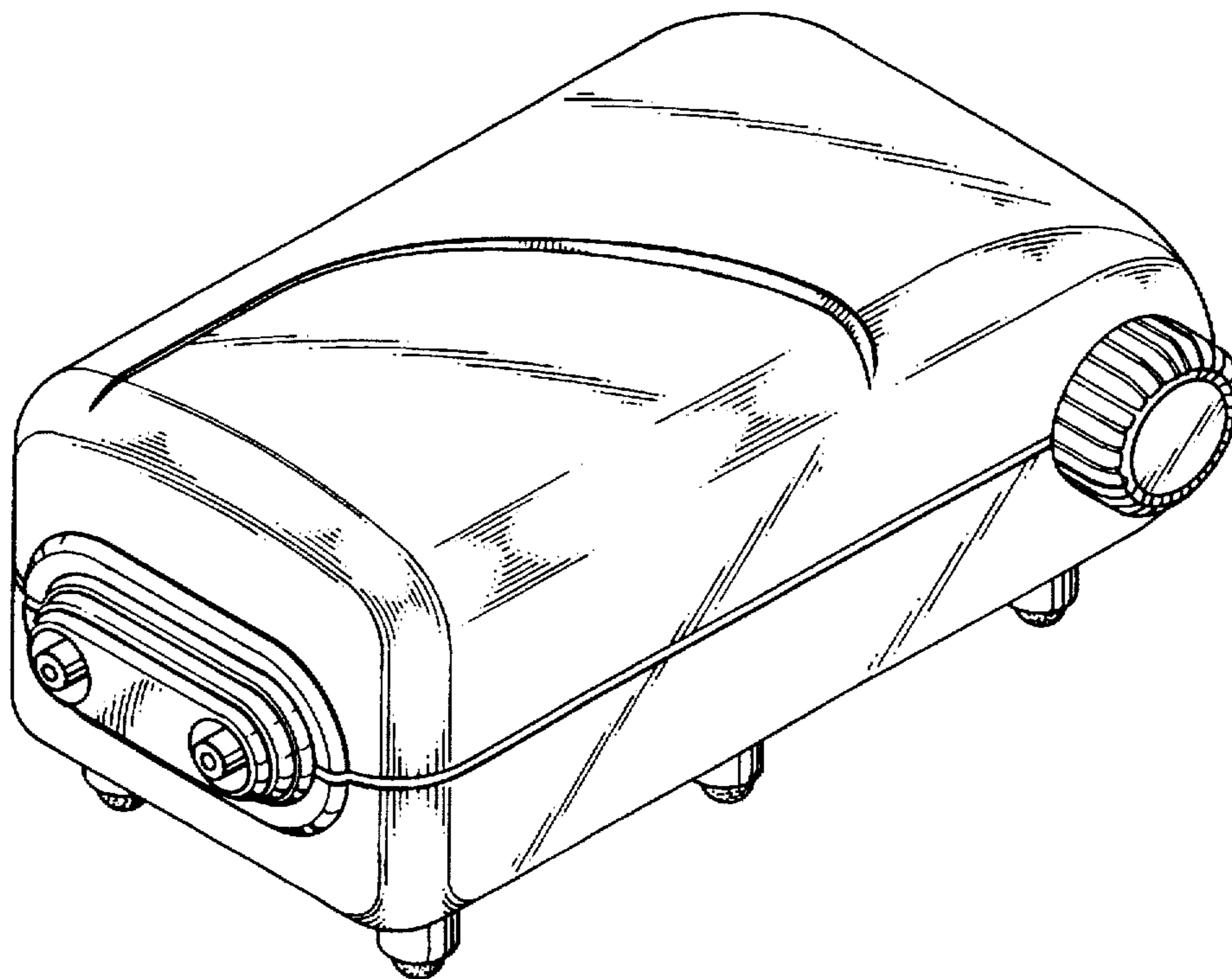
#### U.S. PATENT DOCUMENTS

D. 253,652 12/1979 Maryanski ..... D15/8  
D. 294,359 2/1988 Tsai ..... D15/8  
D. 306,449 3/1990 Shannon ..... D15/8  
D. 338,018 8/1993 Willinger et al. .... D15/8  
3,671,151 6/1972 Duke et al. .... D15/8  
3,865,729 2/1975 Baensch ..... 210/416.2  
3,969,043 7/1976 Bright et al. .... D15/8  
4,145,389 3/1979 Seroussi ..... 210/146.2  
4,283,645 8/1981 Hofmann ..... 210/416.2  
4,615,802 10/1986 Harbaugh ..... 210/416.2  
5,131,821 7/1992 Marioni et al. .... 210/416.2  
5,474,674 12/1995 Bresolin et al. .... 210/416.2

### DESCRIPTION

FIG. 1 is a perspective view of a pump for aquarium showing my new design;  
FIG. 2 is a front view thereof;  
FIG. 3 is a rear view thereof;  
FIG. 4 is a left side view thereof;  
FIG. 5 is a right side view thereof;  
FIG. 6 is a top view thereof; and,  
FIG. 7 is a bottom view thereof.

**1 Claim, 3 Drawing Sheets**



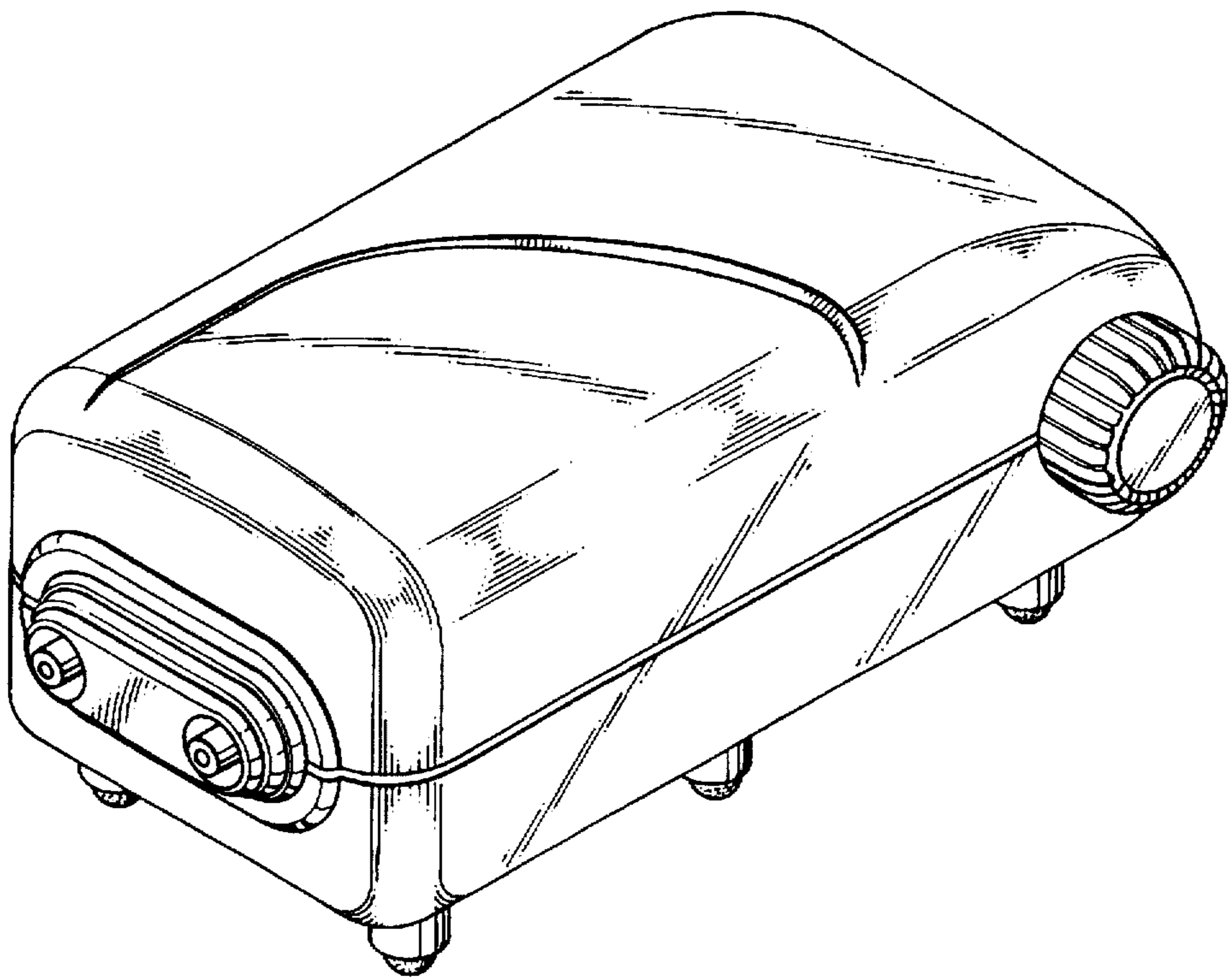


FIG. 1

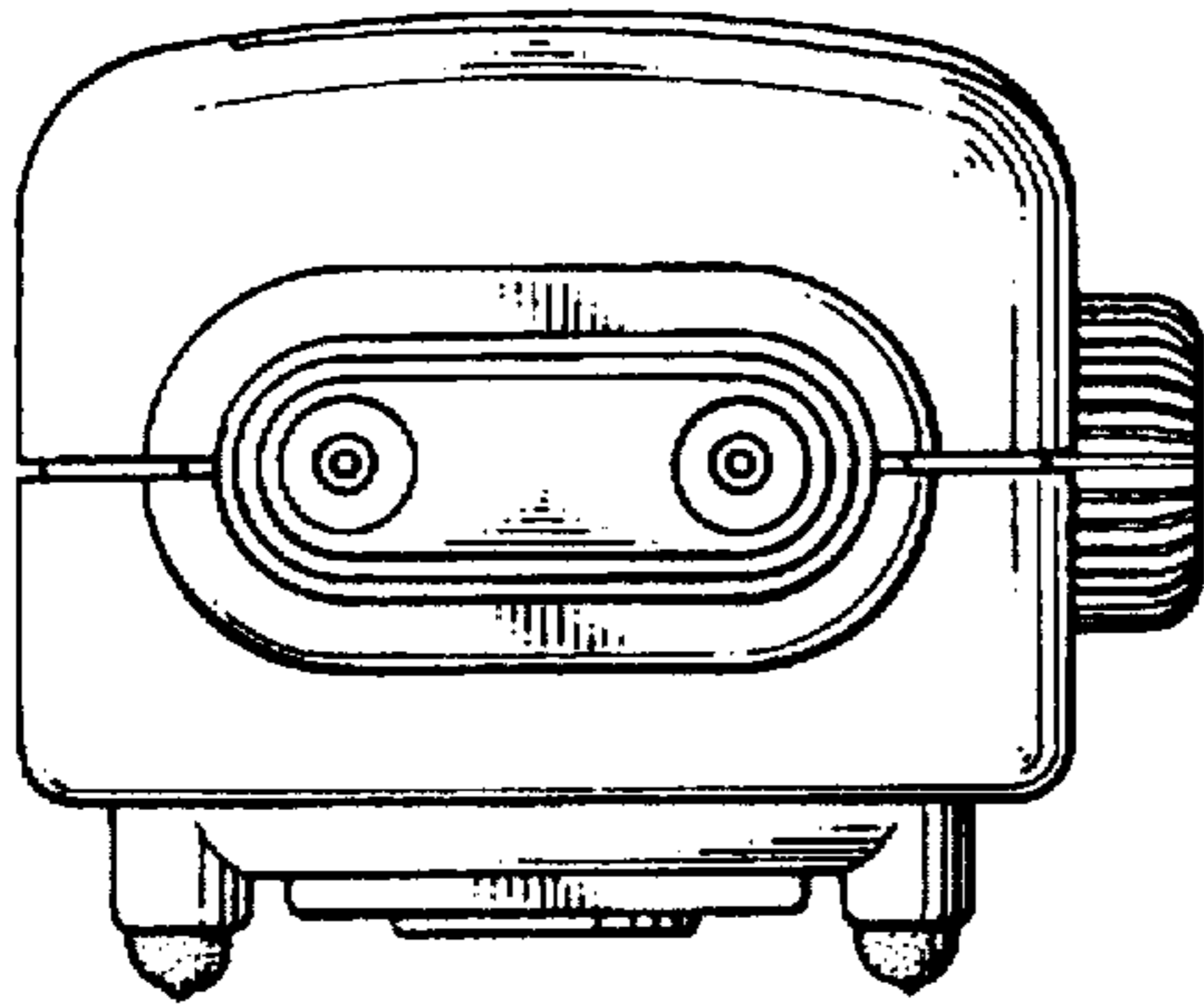


FIG. 2

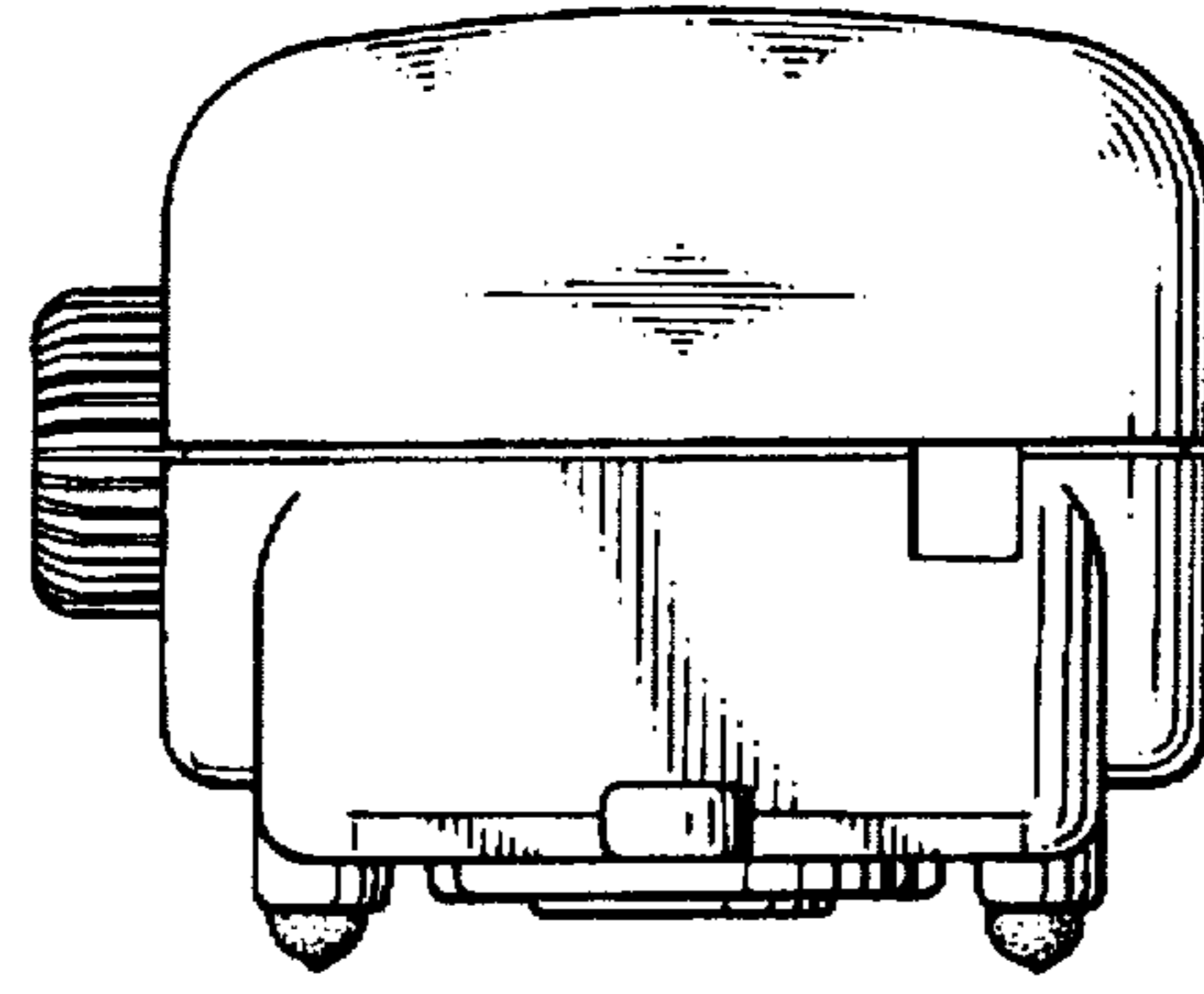


FIG. 3

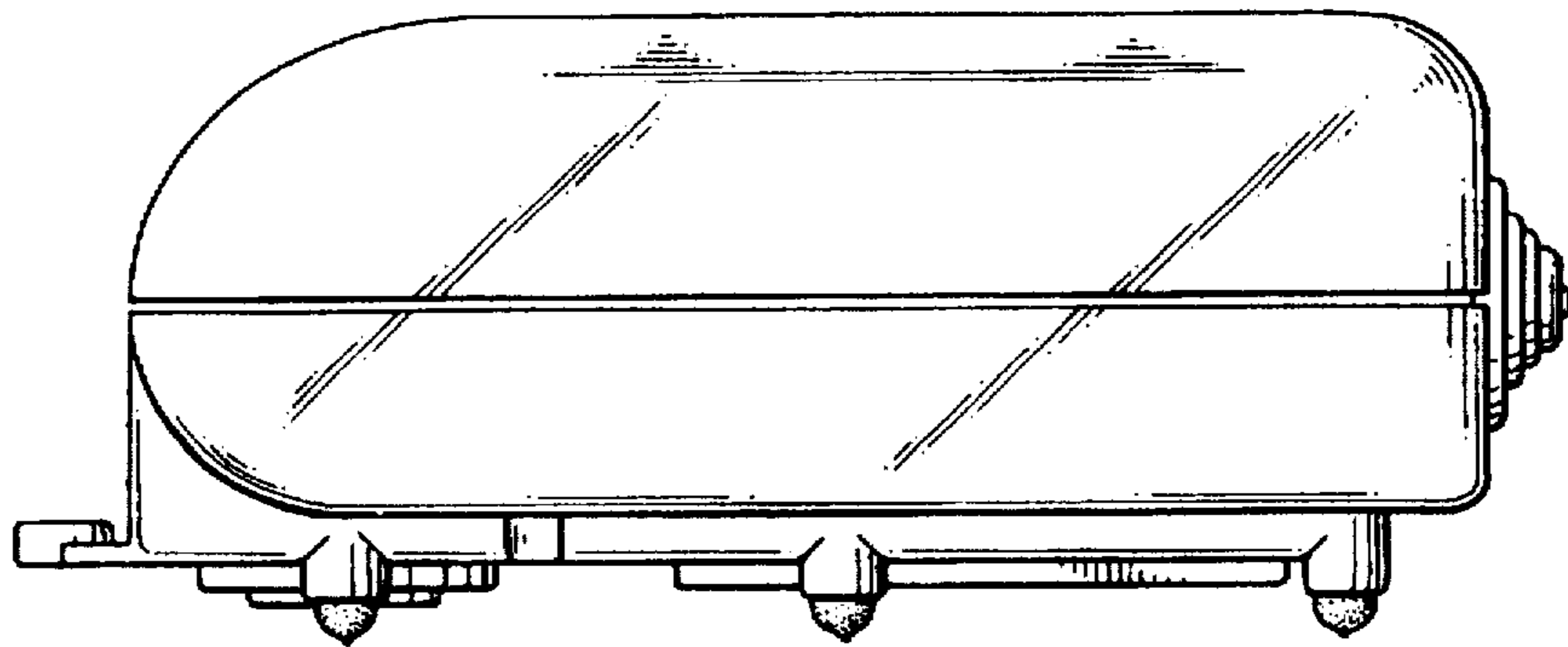


FIG. 4

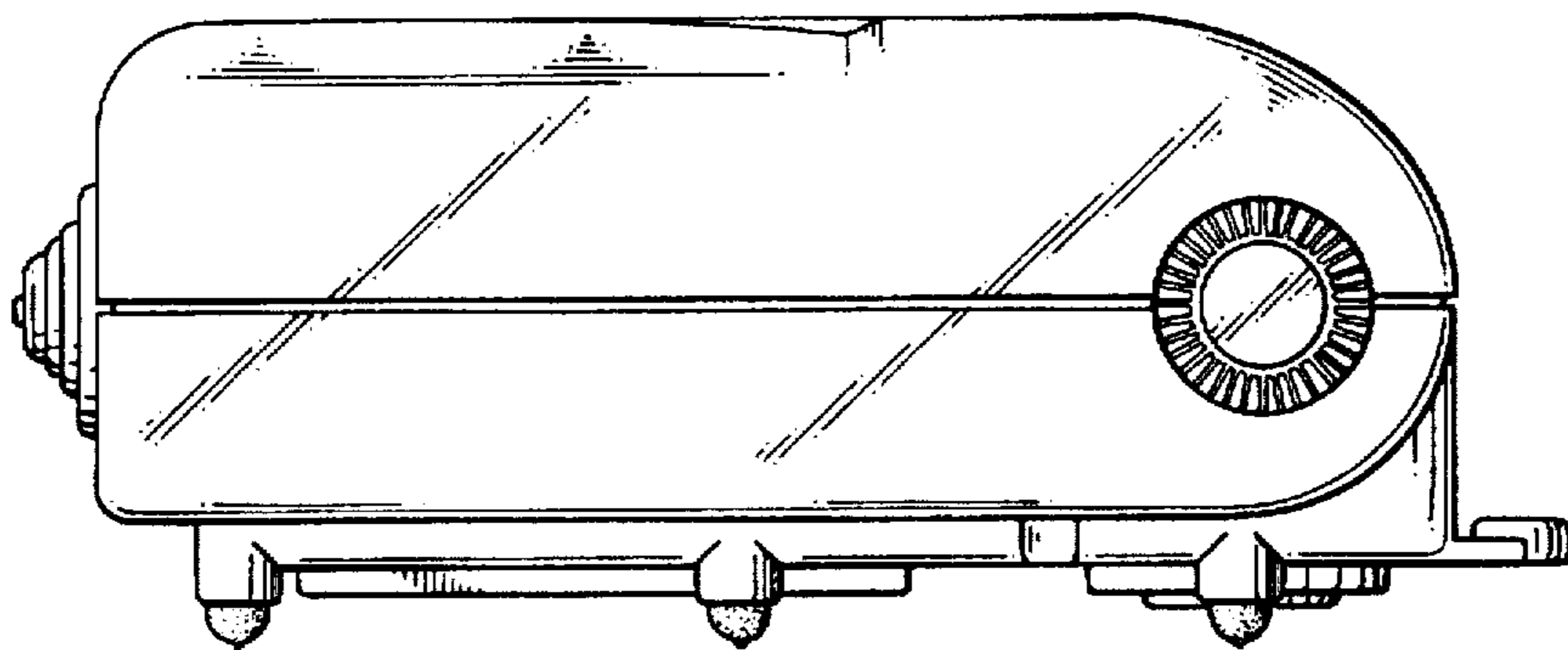


FIG. 5

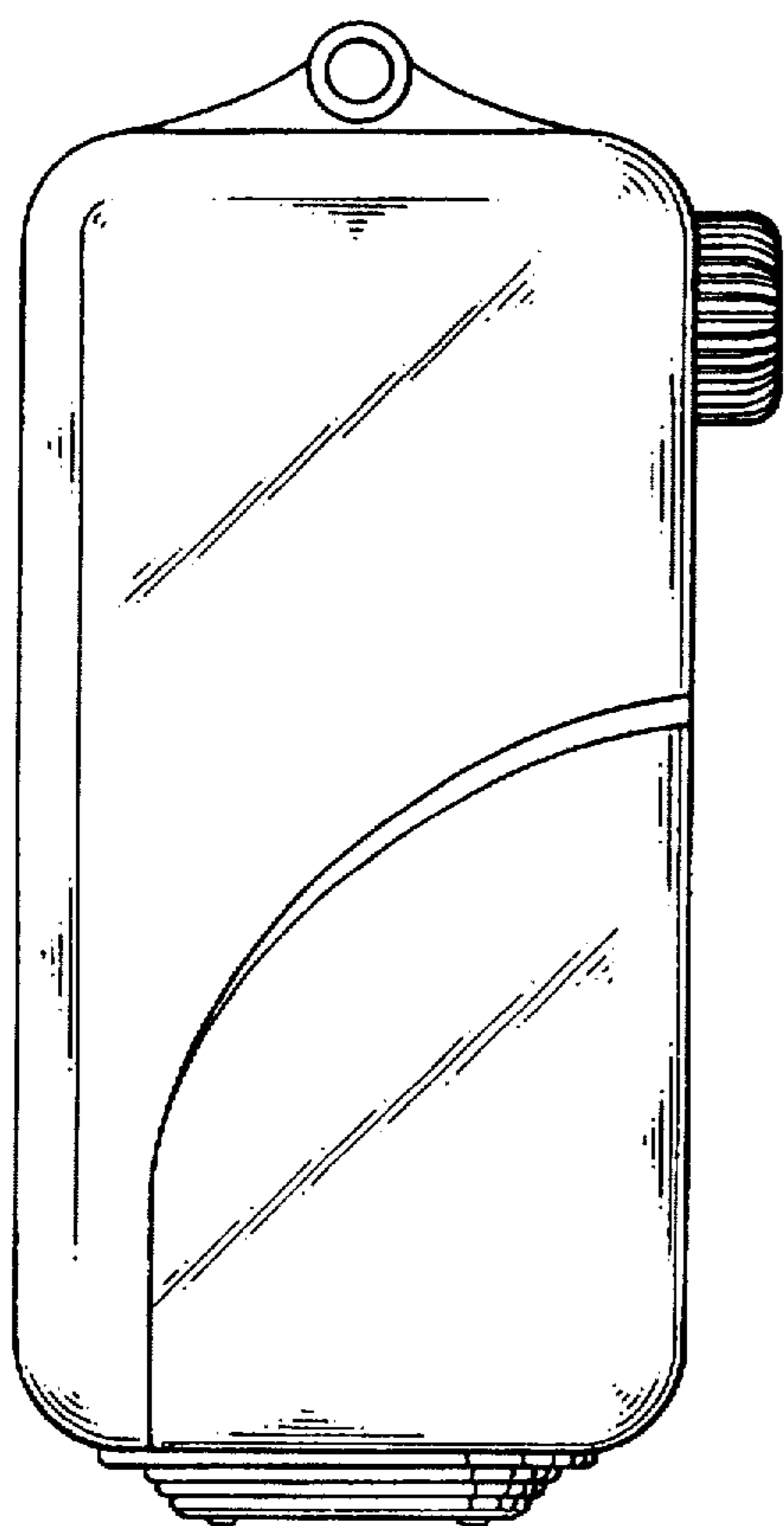


FIG. 6

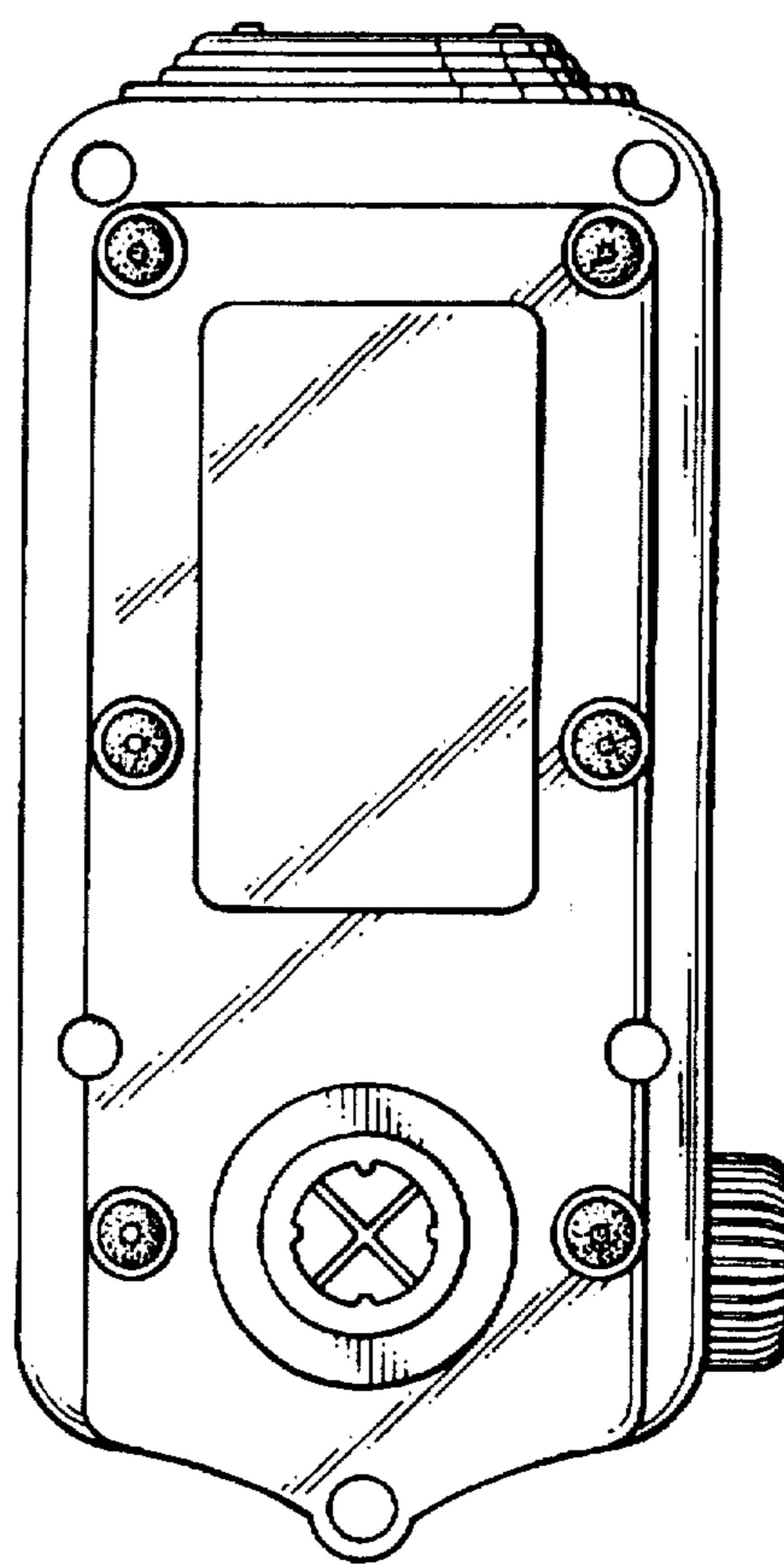


FIG. 7