



US00D395313S

United States Patent [19]

Alves et al.

[11] Patent Number: **Des. 395,313**

[45] Date of Patent: ****Jun. 16, 1998**

[54] **IN-DASH INSTALLATION KIT FACE PLATE**

[75] Inventors: **Roger J. Alves**, Simi Valley; **Roy Nimpoeno**, Monterey Park; **Ricci V. Freymond**, Simi Valley, all of Calif.

[73] Assignee: **Scosche Industries, Inc.**

[**] Term: **14 Years**

[21] Appl. No.: **56,151**

[22] Filed: **Jun. 24, 1996**

[51] LOC (6) Cl. **14-01**

[52] U.S. Cl. **D14/258; D14/157**

[58] Field of Search **D14/157, 257, D14/258; 455/73, 8, 90; 220/241, 254**

[56] **References Cited**

U.S. PATENT DOCUMENTS

D. 354,492 1/1995 Schumaker et al. D14/258

D. 354,493 1/1995 Schumaker et al. D14/258
D. 354,494 1/1995 Schumaker et al. D14/258
4,322,780 3/1982 Murakami et al. 369/12
4,874,110 10/1989 Klein et al. 369/10

Primary Examiner—B. J. Bullock
Attorney, Agent, or Firm—William W. Haefliger

[57] CLAIM

The ornamental design for an in-dash installation kit face plate, as shown and described.

DESCRIPTION

FIG. 1 is a perspective view showing the front top right side design of the in-dash installation kit face plate;
FIG. 2 is a rear elevation view of the FIG. 1 face plate;
FIG. 3 is a bottom plan view of the FIG. 1 face plate;
FIG. 4 is a left side view of the FIG. 1 face plate, the right side view being the same; and,
FIG. 5 is a section taken on line 5—5 of FIG. 2.

1 Claim, 2 Drawing Sheets

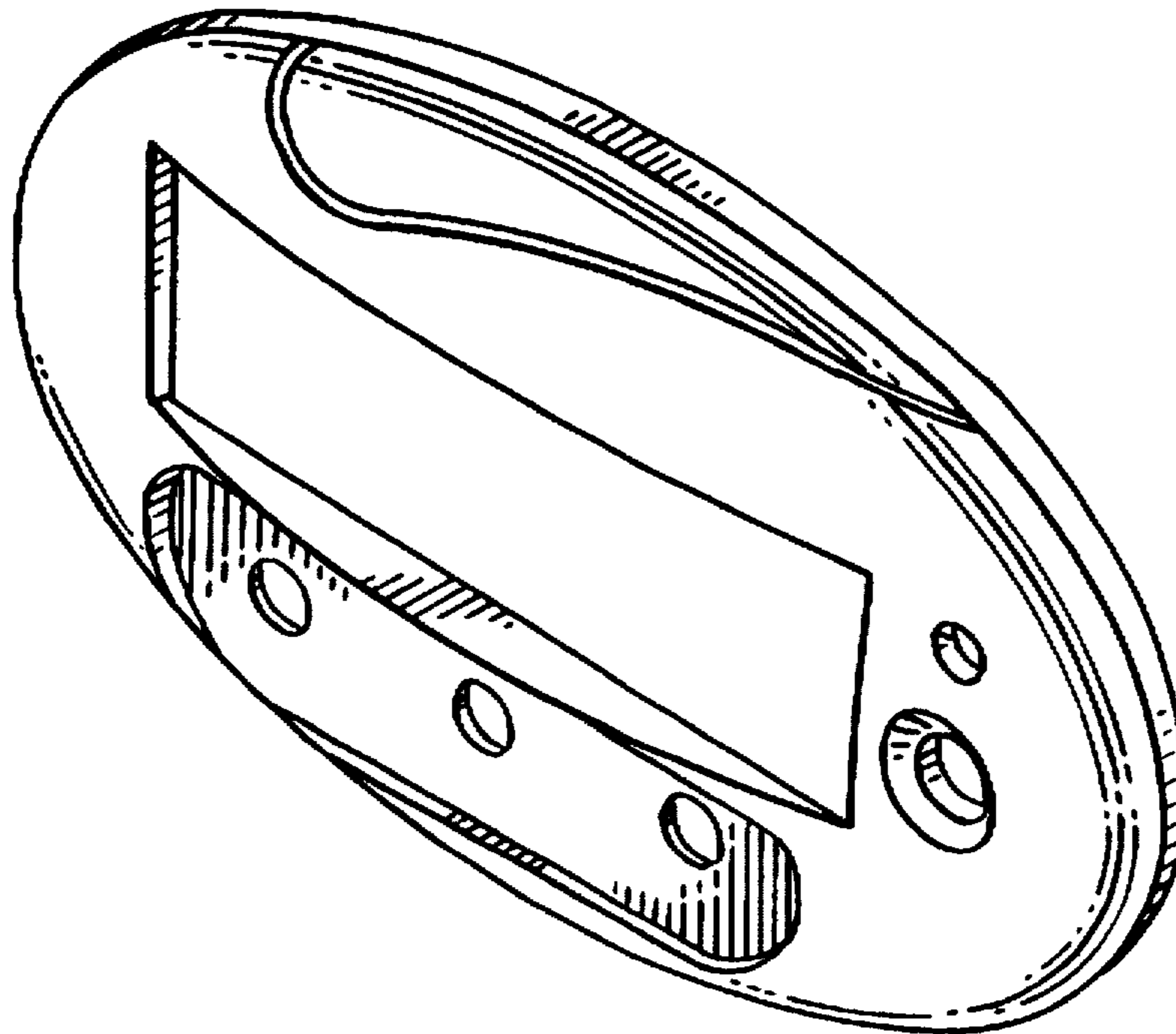


FIG. 1.

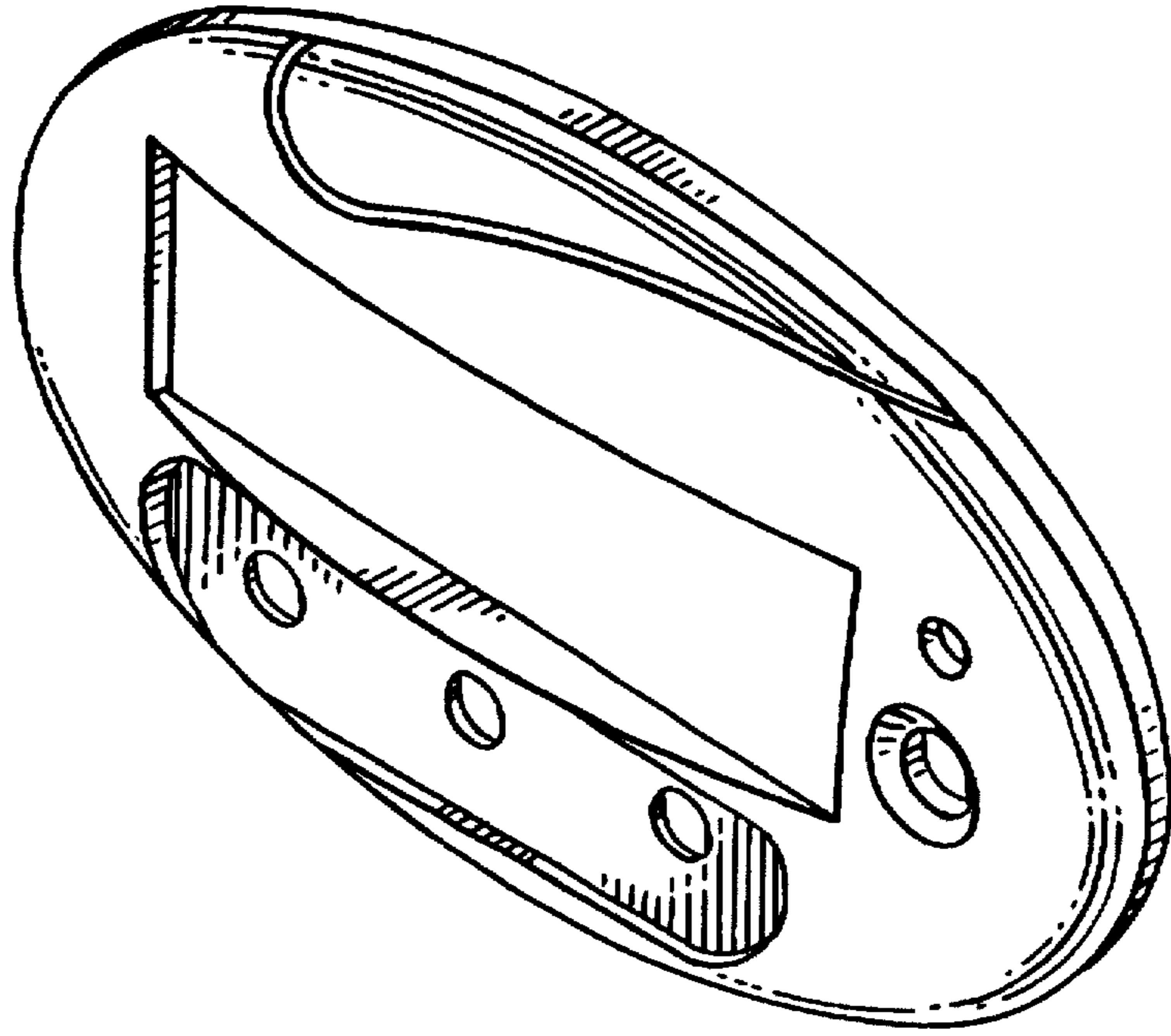


FIG. 2.

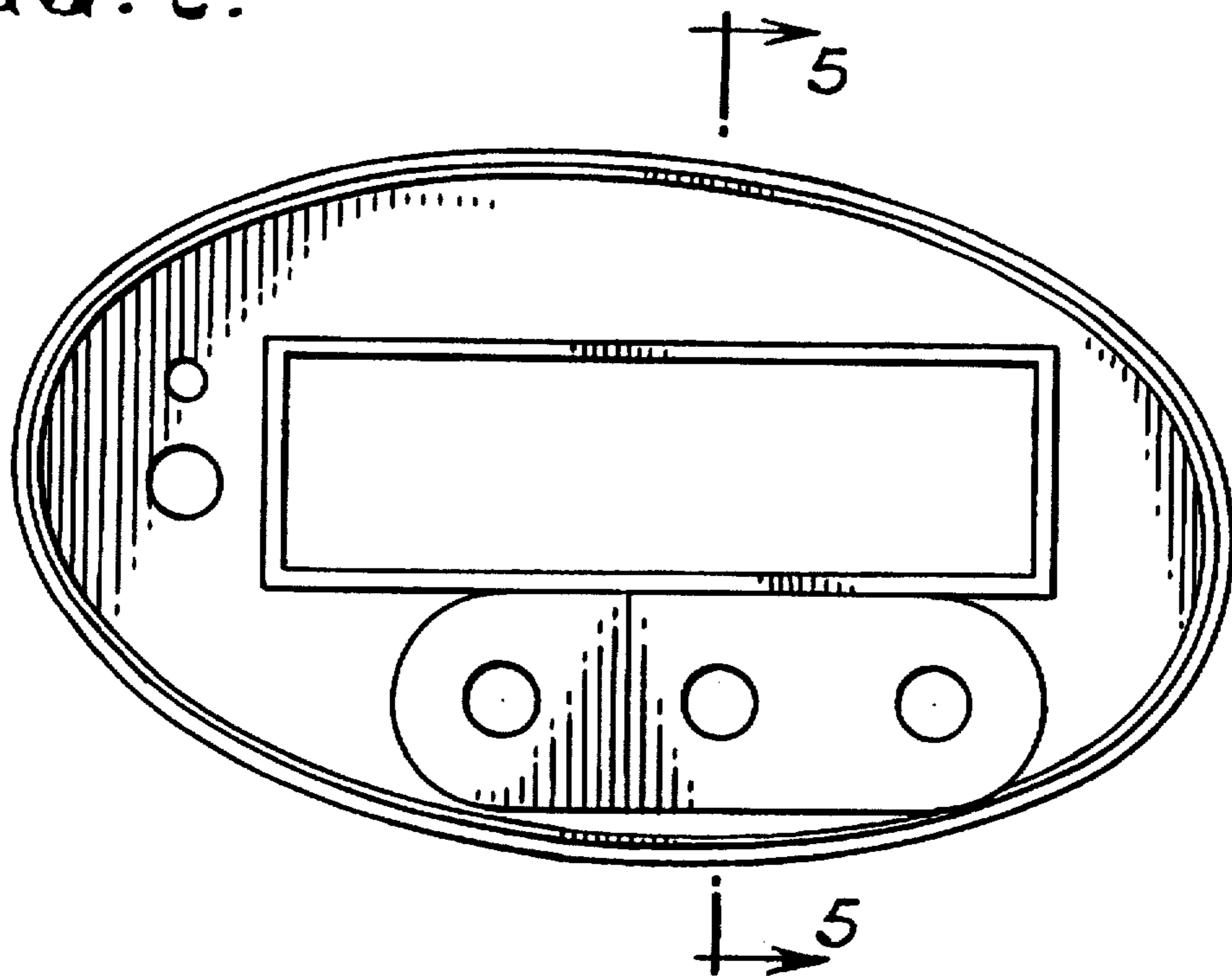


FIG. 3.

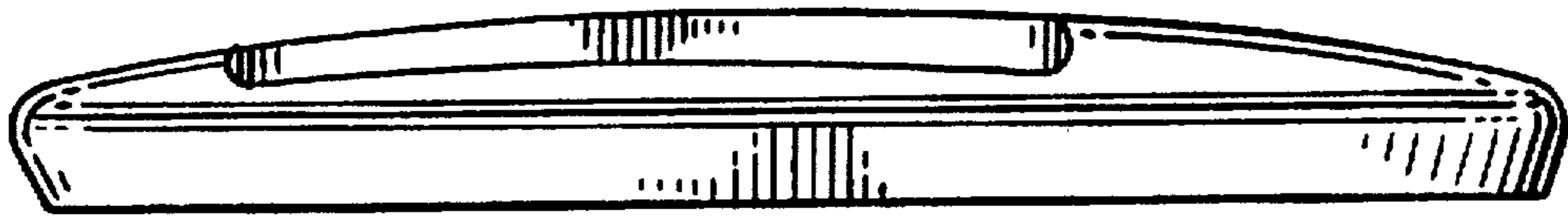


FIG. 4.



FIG. 5.

