



US00D395309S

United States Patent [19]
Hisatsune

[11] **Patent Number: Des. 395,309**

[45] **Date of Patent: **Jun. 16, 1998**

[54] **MAGNETIC DISC RECORDER**

[75] **Inventor: Toshiyuki Hisatsune, Tokyo, Japan**

[73] **Assignee: Sony Kabushiki Kaisha, Tokyo, Japan**

[**] **Term: 14 Years**

[21] **Appl. No.: 61,937**

[22] **Filed: Nov. 4, 1996**

[51] **LOC (6) Cl. 14-01**

[52] **U.S. Cl. D14/160; D14/188**

[58] **Field of Search** D14/107-109,
D14/114, 124, 160-168, 188-189, 217,
260, 299; 360/97.01, 131, 134, 137; 361/724,
727; 455/344, 347, 350, 351

[56] **References Cited**

U.S. PATENT DOCUMENTS

D. 244,865	6/1977	Kneale et al.	D14/164
D. 304,943	12/1989	Saunders	D14/162
D. 310,525	9/1990	Camens	D14/168 X
D. 318,272	7/1991	Dow	D14/108
D. 360,883	8/1995	Ito et al.	D14/164 X

Primary Examiner—Philip S. Hyder
Attorney, Agent, or Firm—Morgan & Finnegan LLP

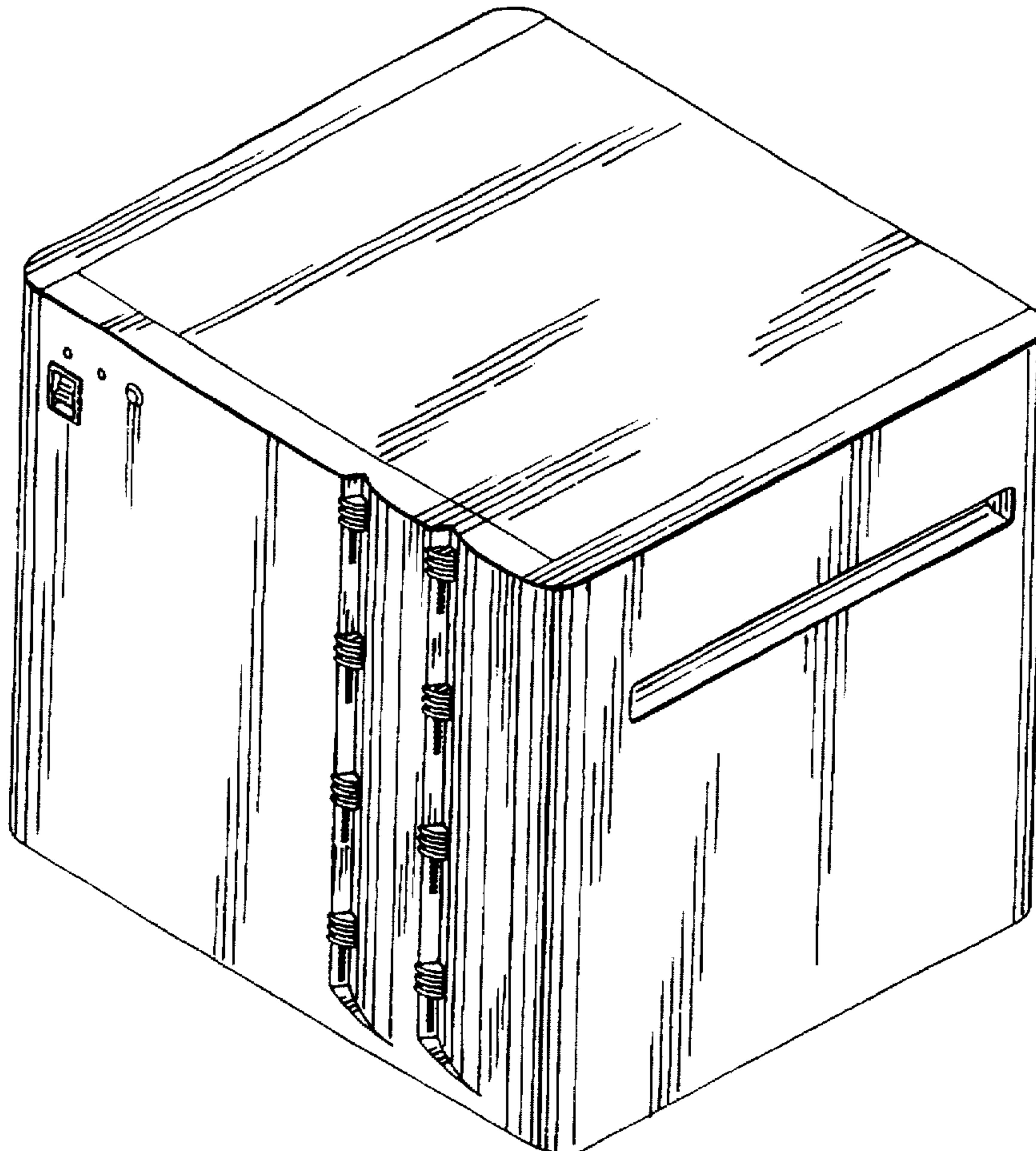
[57] **CLAIM**

The ornamental design for a magnetic disc recorder, as shown and described.

DESCRIPTION

FIG. 1 is a perspective view of the magnetic disc recorder of the present invention;
FIG. 2 is a front elevation view of the magnetic disc recorder of the present invention;
FIG. 3 is a rear elevation view of the magnetic disc recorder of the present invention;
FIG. 4 is a left side elevation view of the magnetic disc recorder of the present invention;
FIG. 5 is a right side elevation view of the magnetic disc recorder of the present invention;
FIG. 6 is a top plan view of the magnetic disc recorder of the present invention; and,
FIG. 7 is a bottom plan view of the magnetic disc recorder of the present invention.

1 Claim, 4 Drawing Sheets



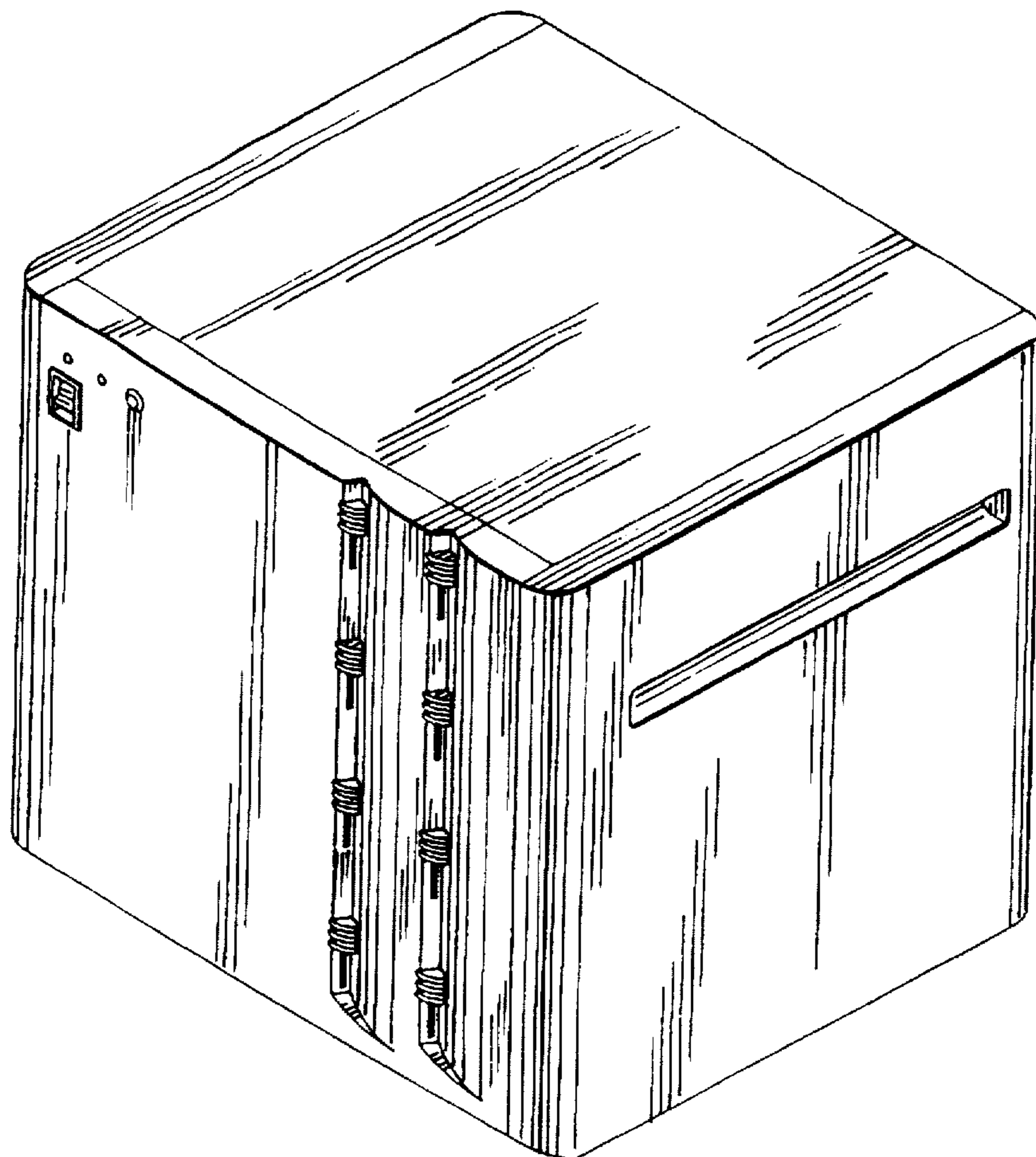


FIG. 1

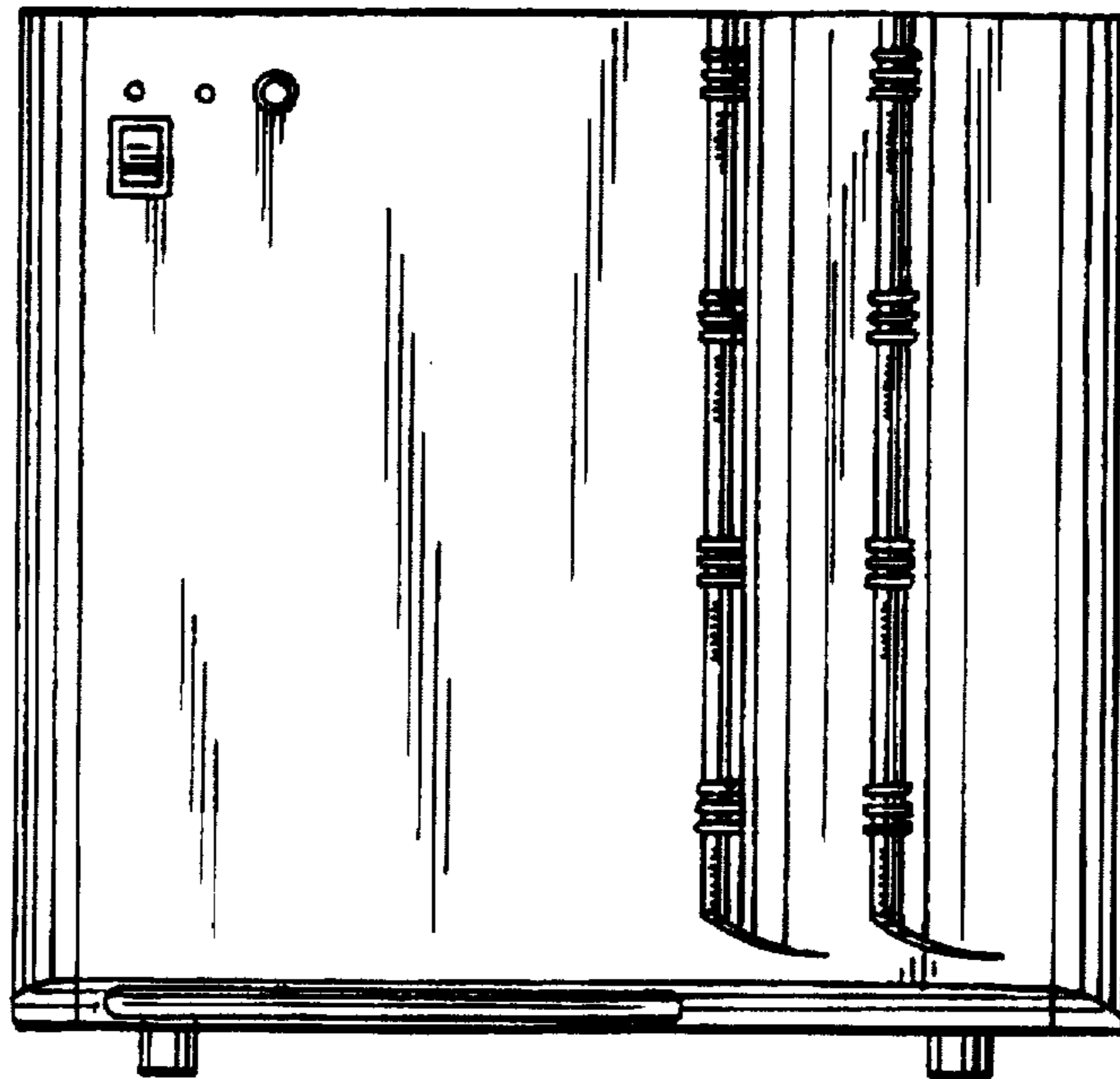


FIG. 2

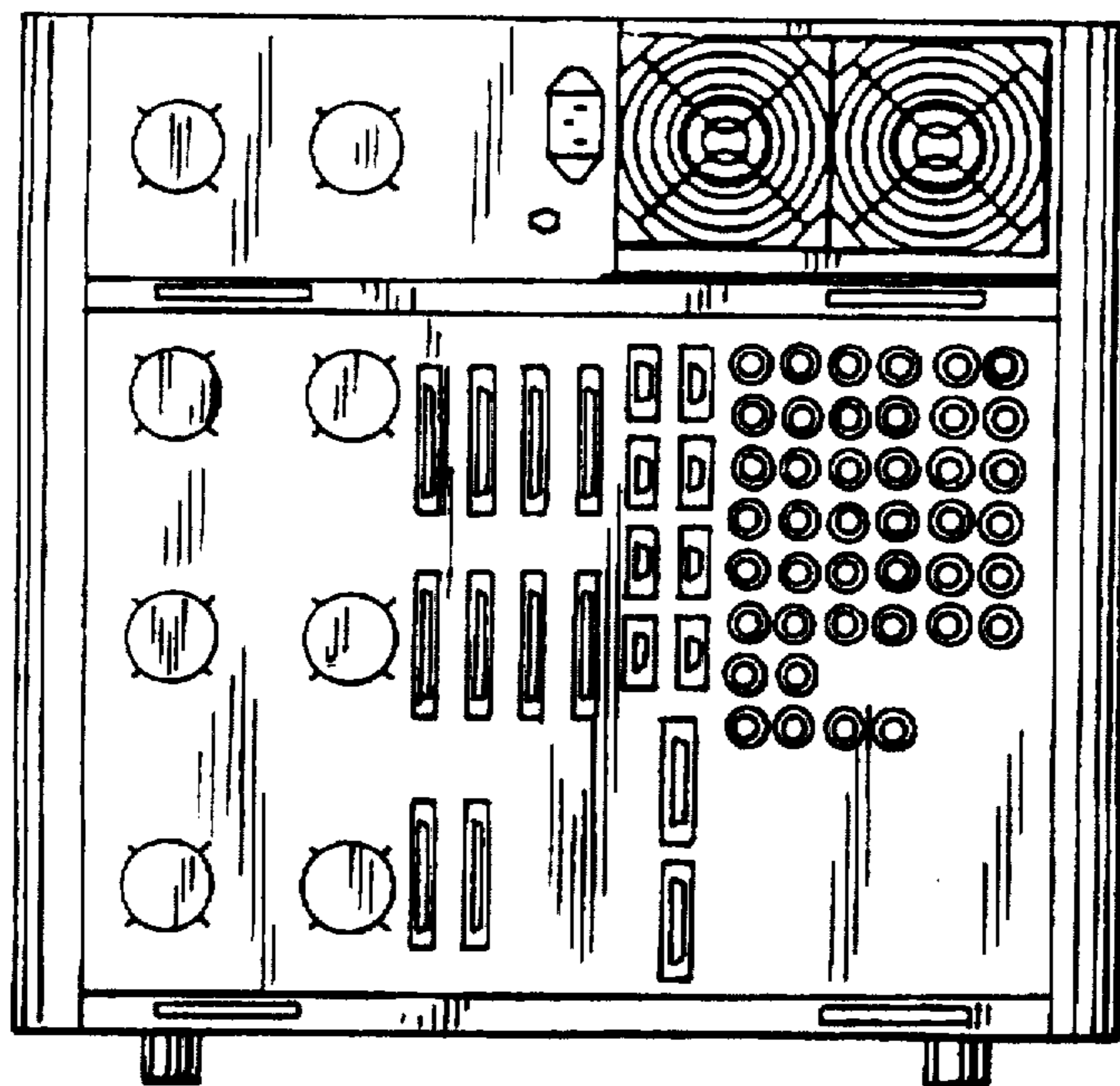


FIG. 3

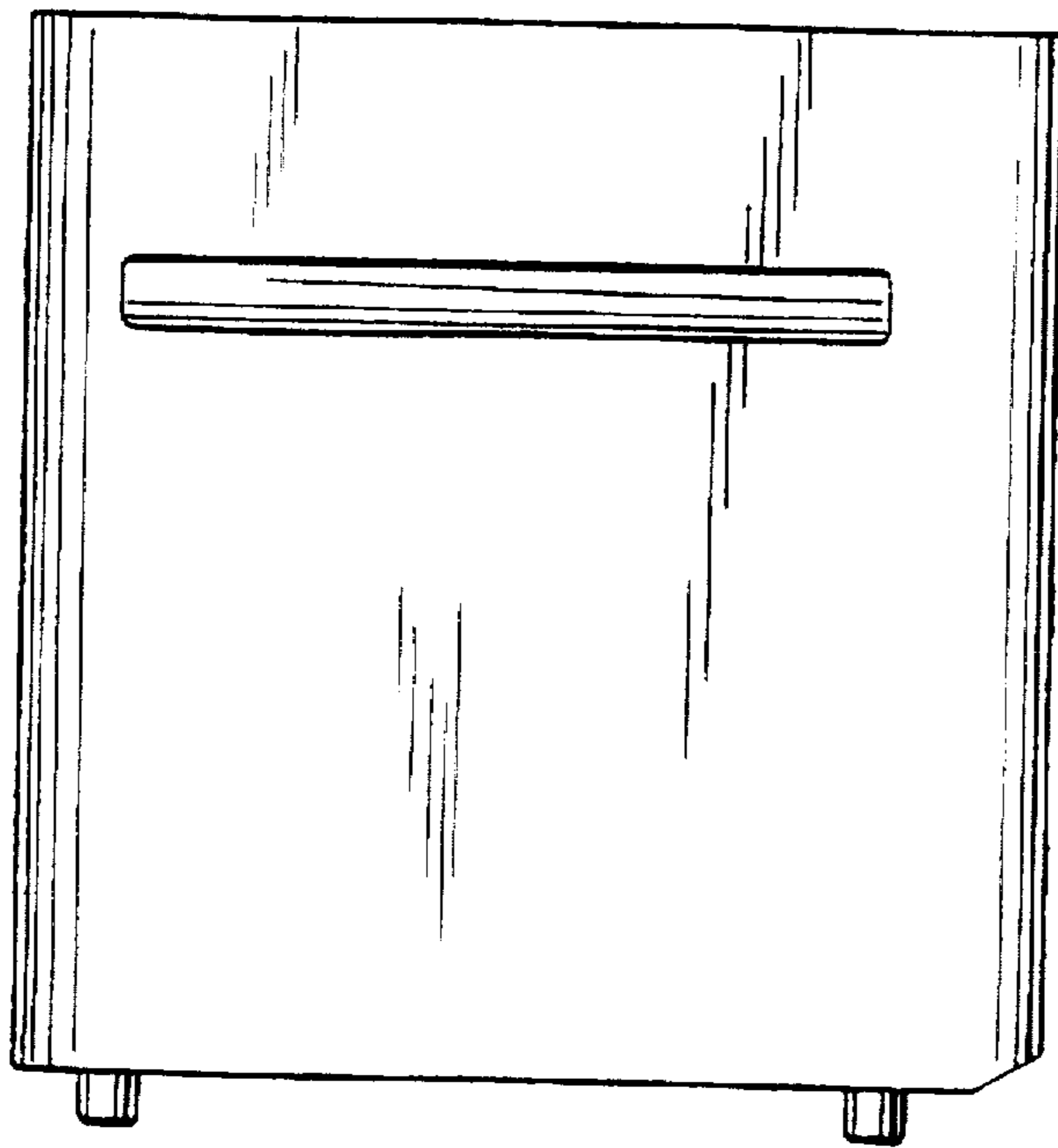


FIG. 4

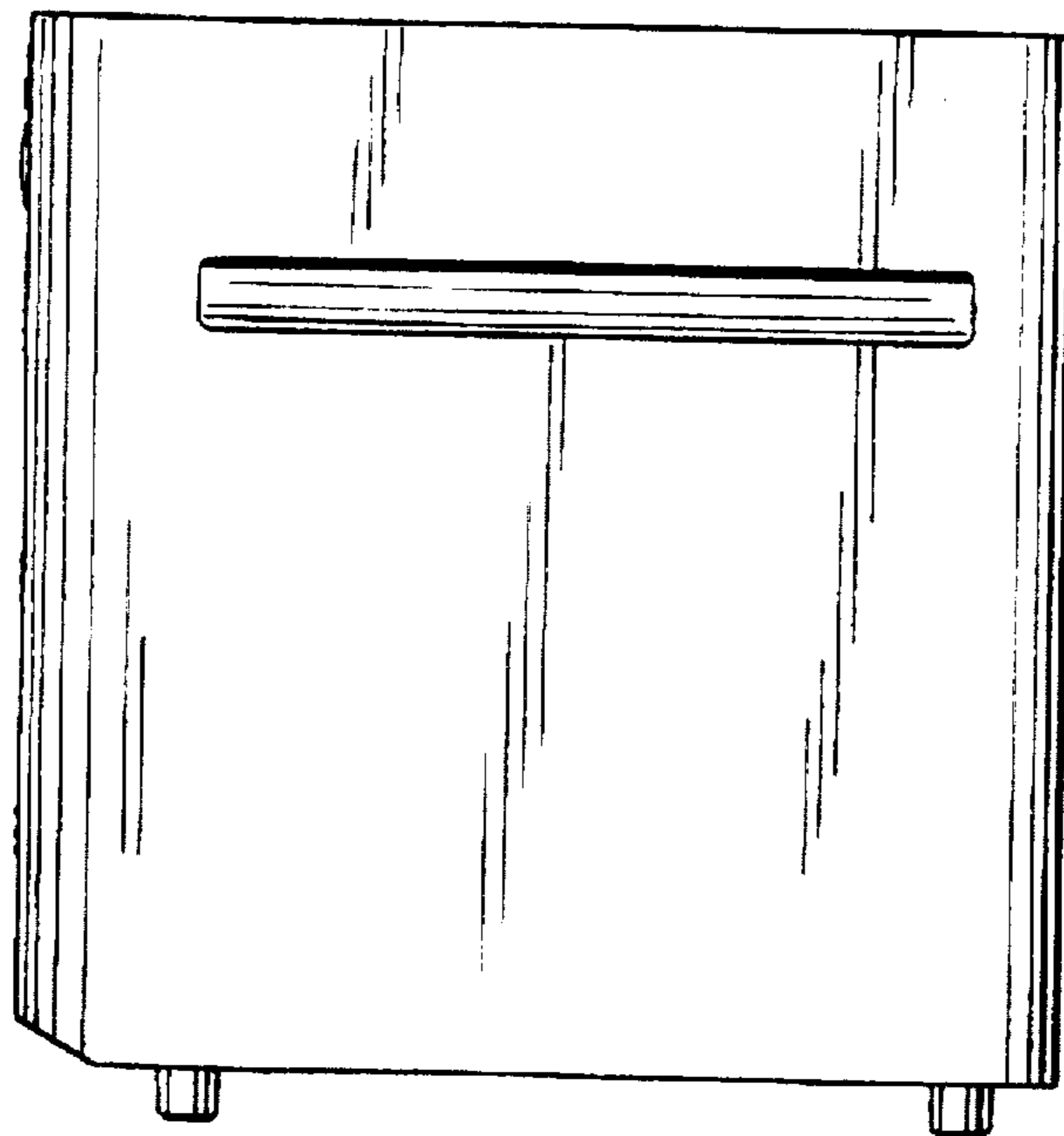


FIG. 5

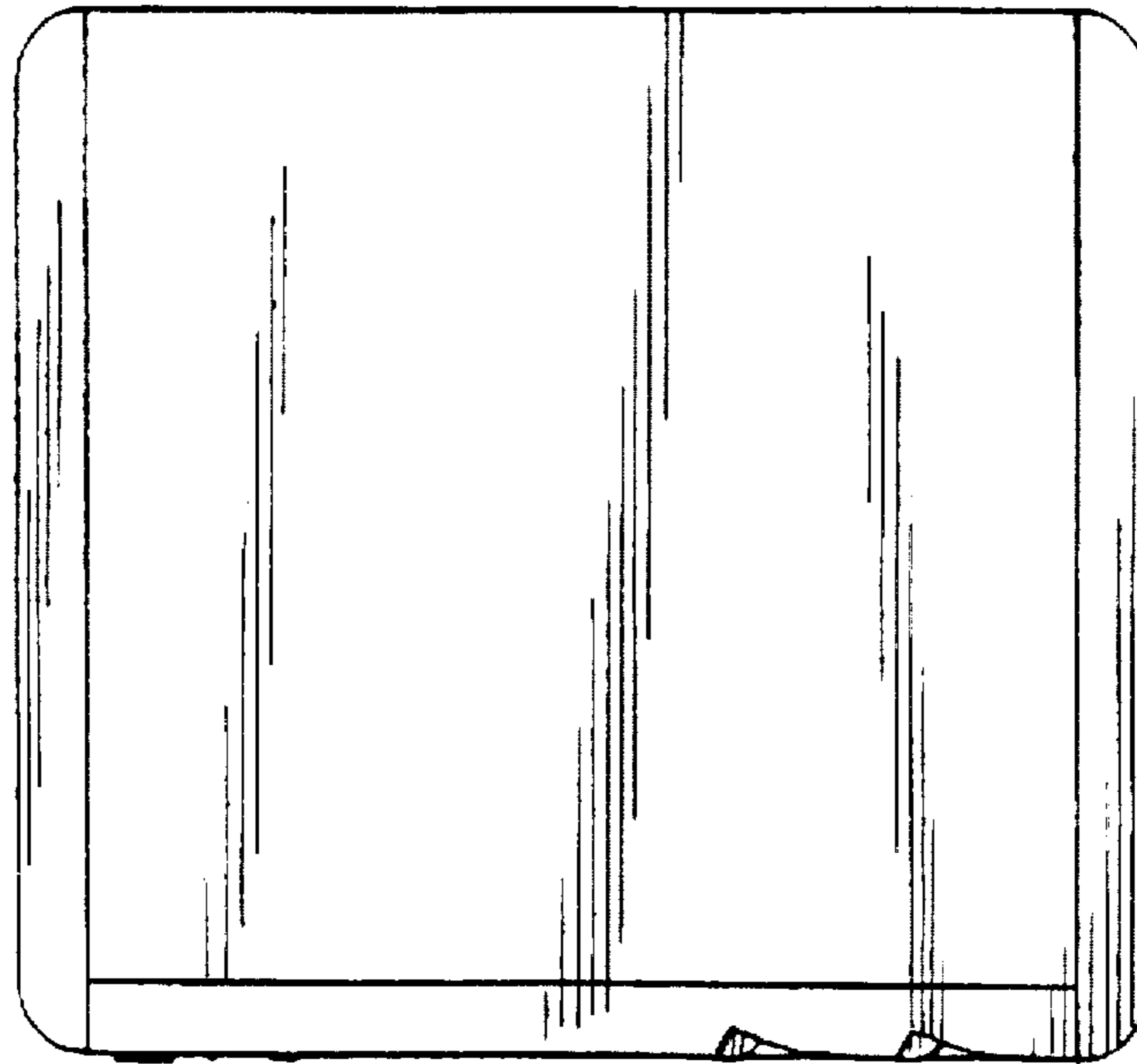


FIG. 6

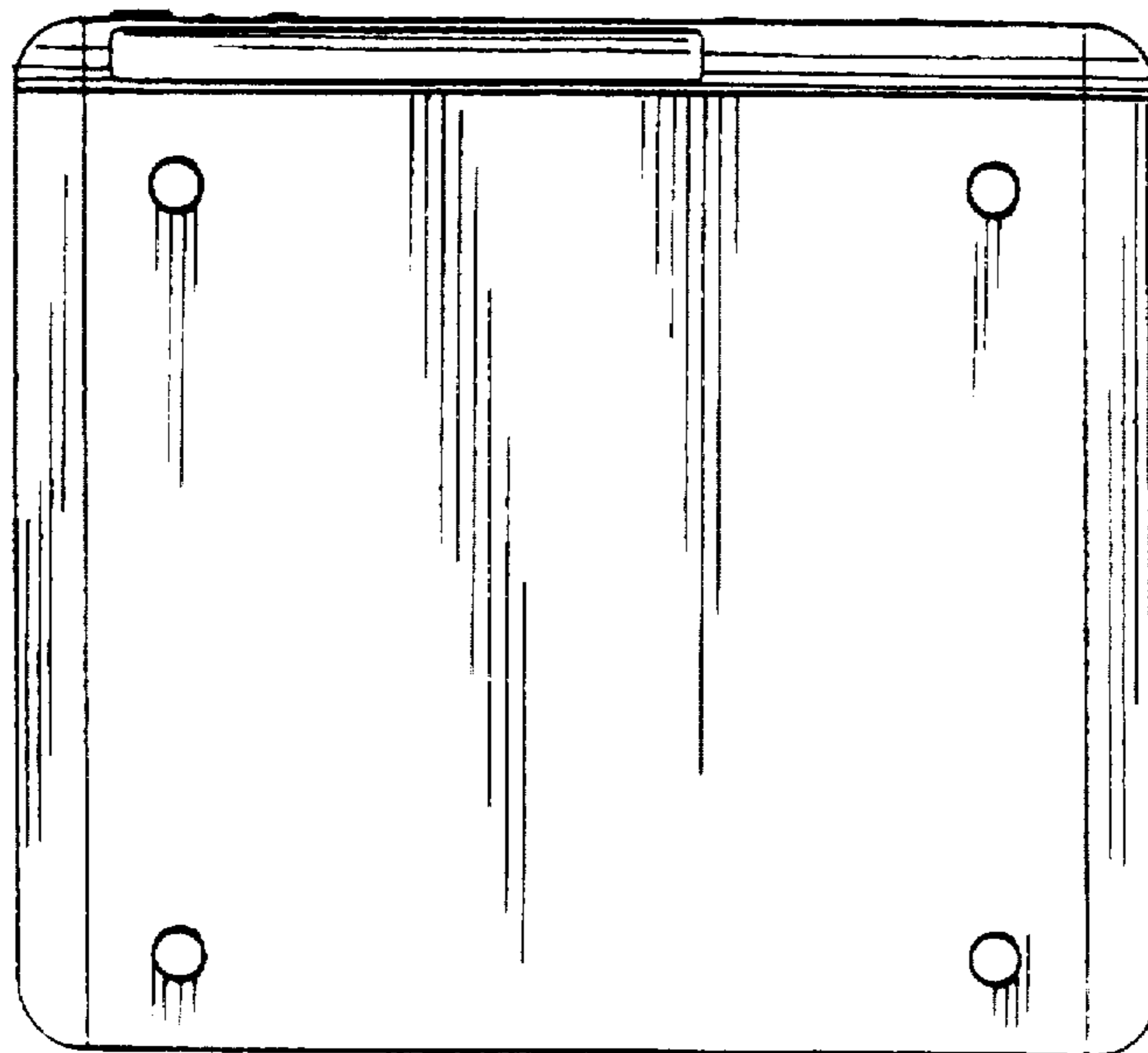


FIG. 7