



US00D395298S

United States Patent [19]

Rosen

[11] Patent Number: Des. 395,298

[45] Date of Patent: **Jun. 16, 1998

[54] DUAL MONITOR MOUNT

[76] Inventor: John B. Rosen, 87580 Cherry Ridge Rd., Eugene, Oreg. 97402

[**] Term: 14 Years

[21] Appl. No.: 62,395

[22] Filed: Nov. 14, 1996

[51] LOC (6) Cl. 14-03

[52] U.S. Cl. D14/127; D14/132

[58] Field of Search D14/113, 124-134; D12/345, 421; D24/158; 312/7.2; 348/827, 837, 840; 248/917-924; 297/188.16, 217.3

[56] **References Cited**

U.S. PATENT DOCUMENTS

- D. 294,700 3/1988 Sakuta D14/126
- D. 337,103 7/1993 Harper D14/113
- D. 340,235 10/1993 Robak et al. D14/113

Primary Examiner—Prabhakah G. Deshmukh
Assistant Examiner—Richelle Shelton

Attorney, Agent, or Firm—Kolisch, Hartwell, Dickinson, McCormack & Heuser

[57] **CLAIM**

The ornamental design for a dual monitor mount, as shown and described.

DESCRIPTION

FIG. 1 is an isometric view of a dual monitor mount constructed in accordance with a preferred embodiment of the invention, the monitor being shown in a display orientation;

FIG. 2 is an isometric view showing the monitor mount depicted in FIG. 1, but with the monitor mount configured in a stowed orientation;

FIG. 3 is a front elevational view of the monitor mount as shown in FIG. 1;

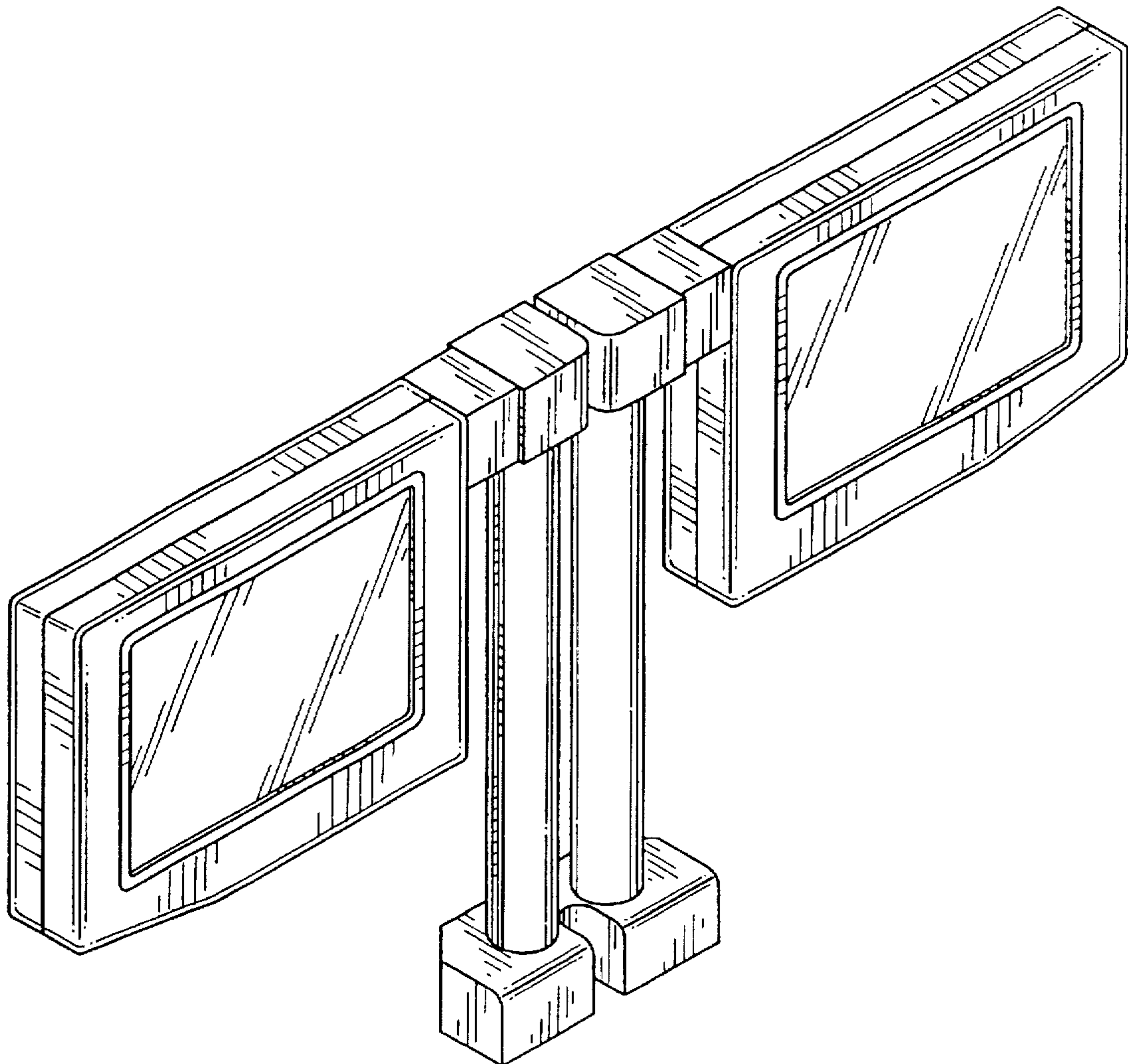
FIG. 4 is a rear elevational view thereof;

FIG. 5 is a top plan view thereof;

FIG. 6 is a bottom view thereof; and,

FIG. 7 is a left-side view of the monitor mount as shown in FIG. 1, the right-side view being a mirror image thereof.

1 Claim, 3 Drawing Sheets



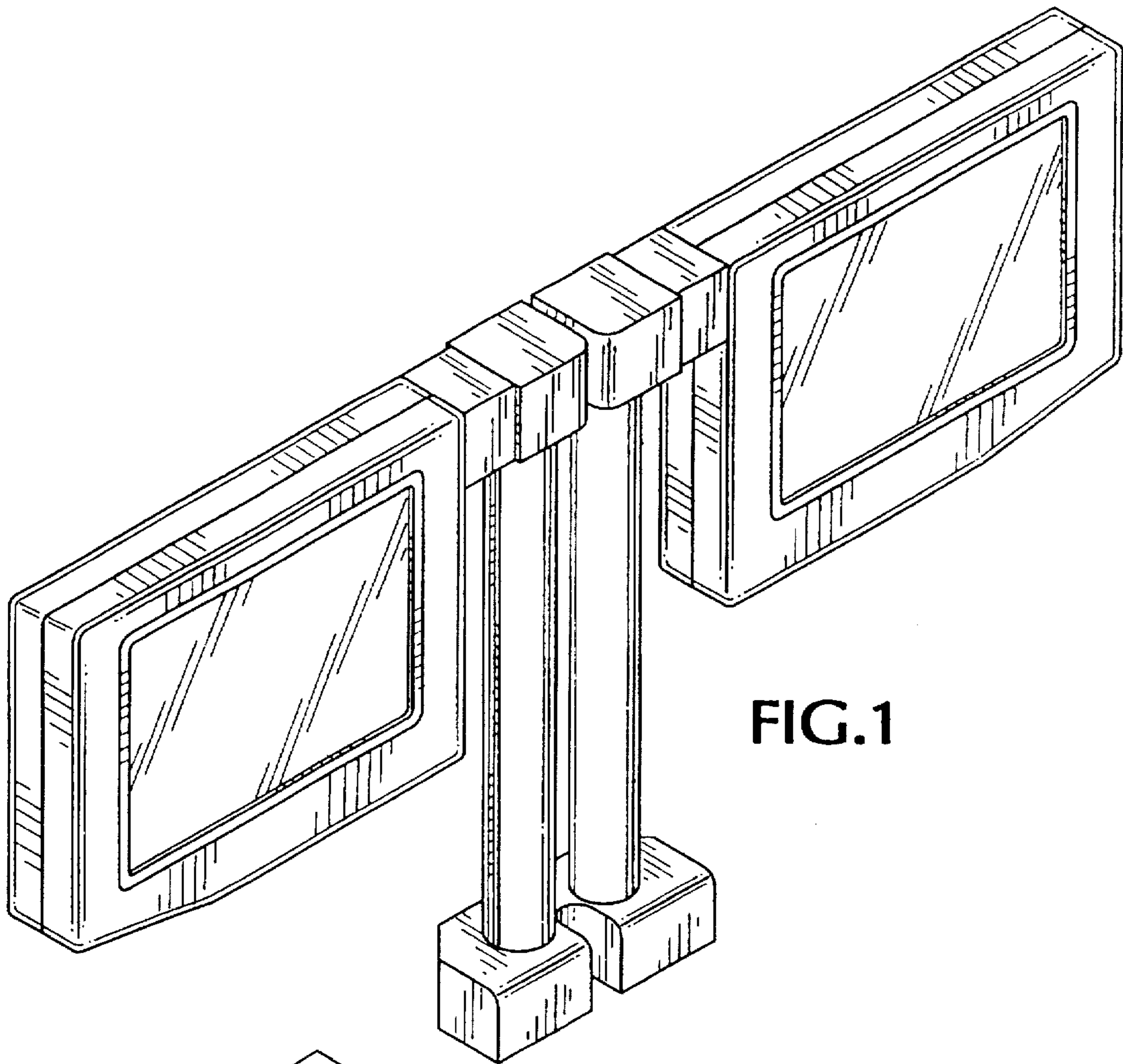


FIG. 1

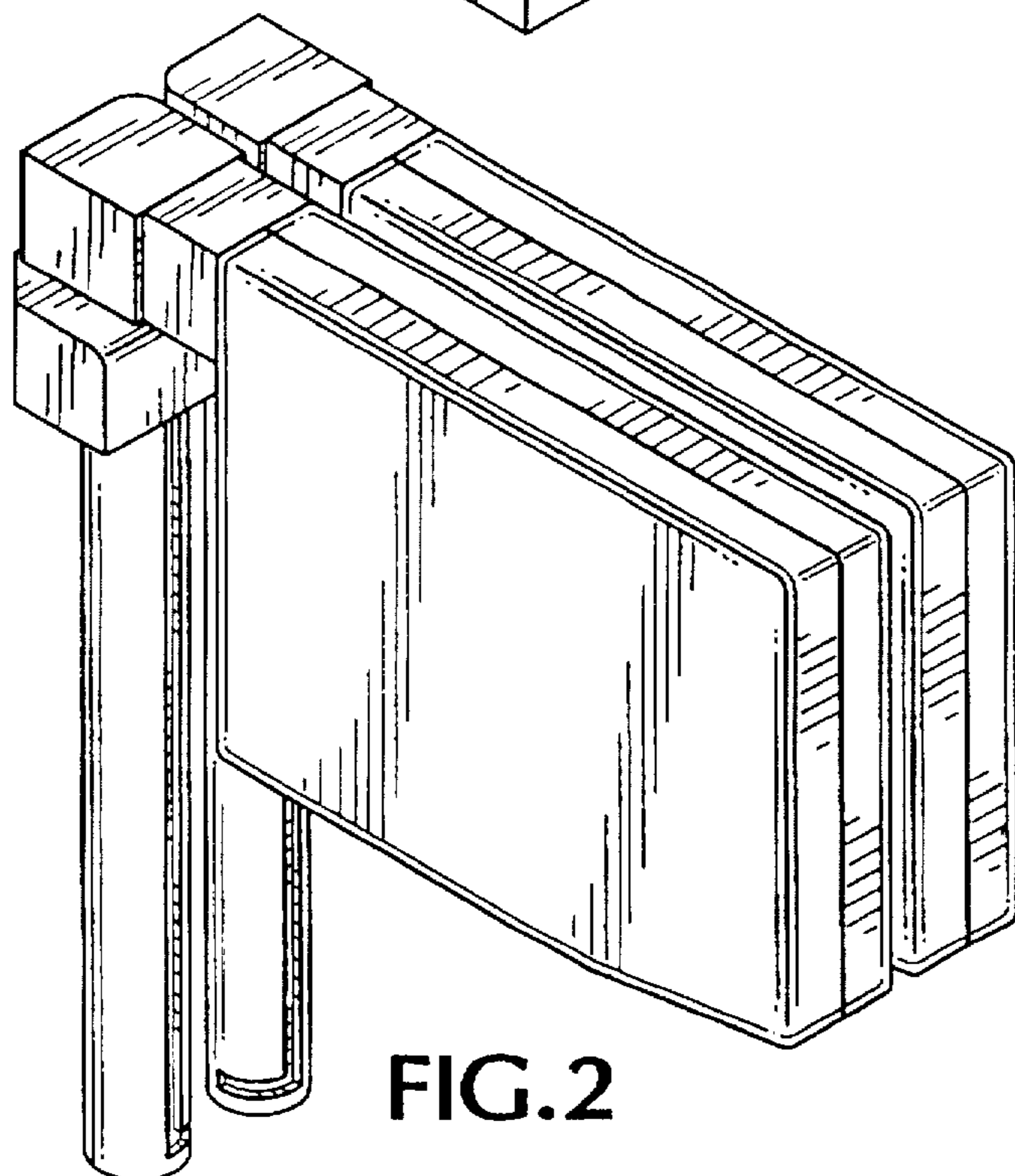


FIG. 2

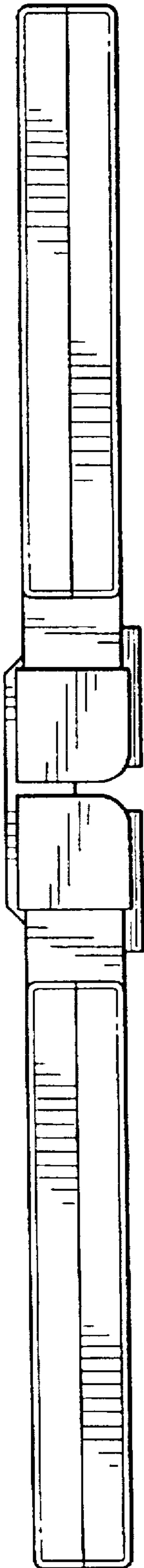


FIG. 5

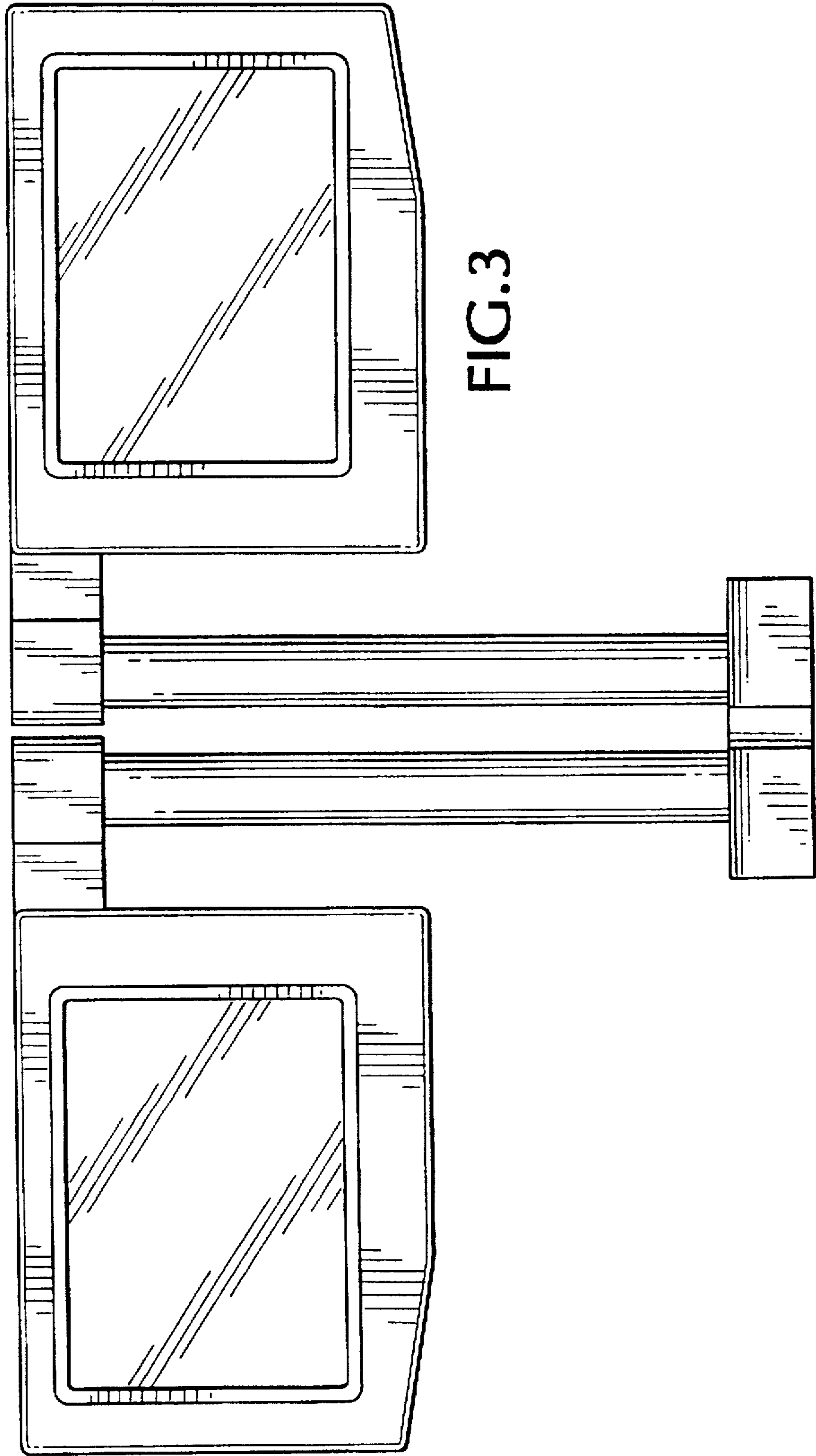


FIG. 3

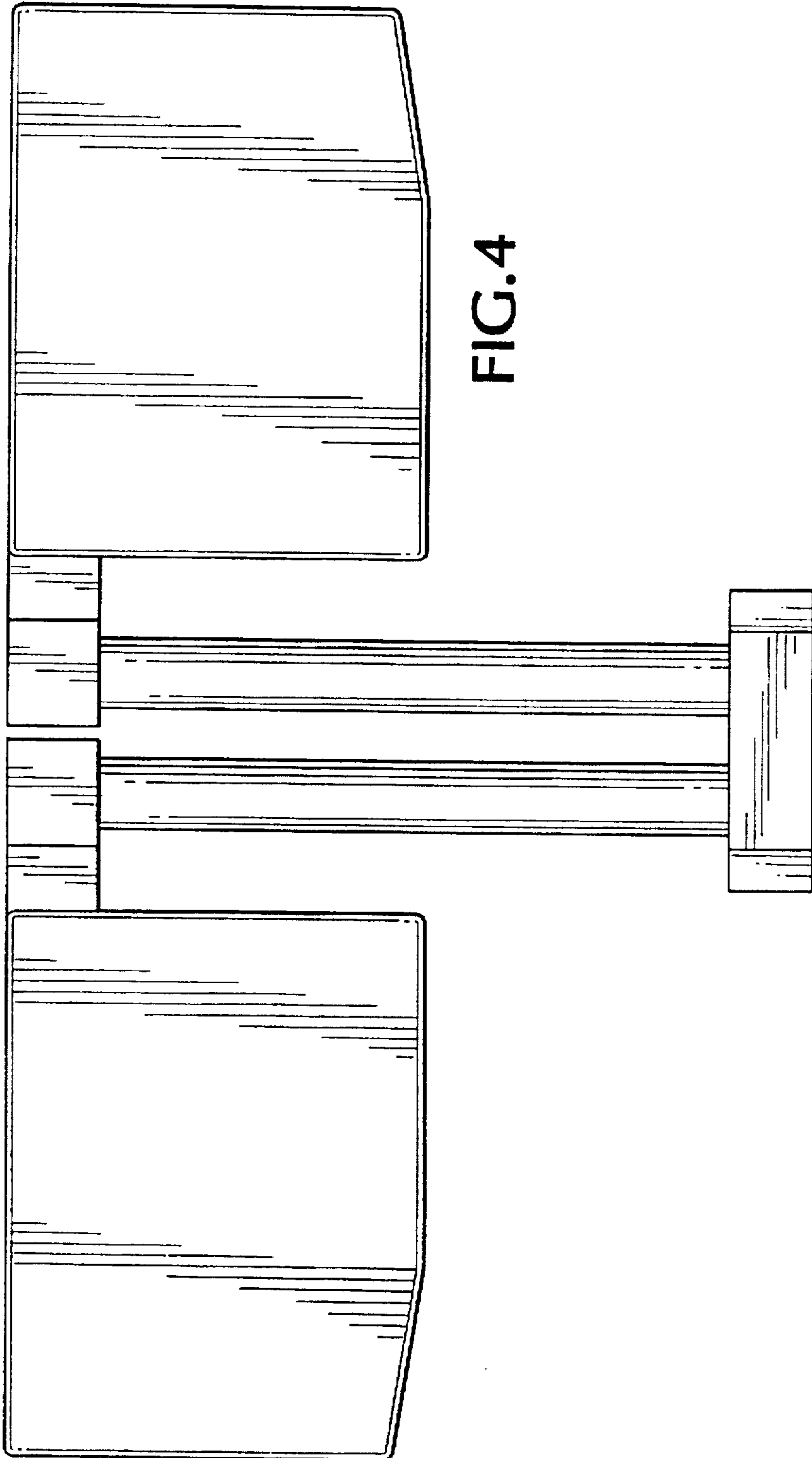


FIG. 4

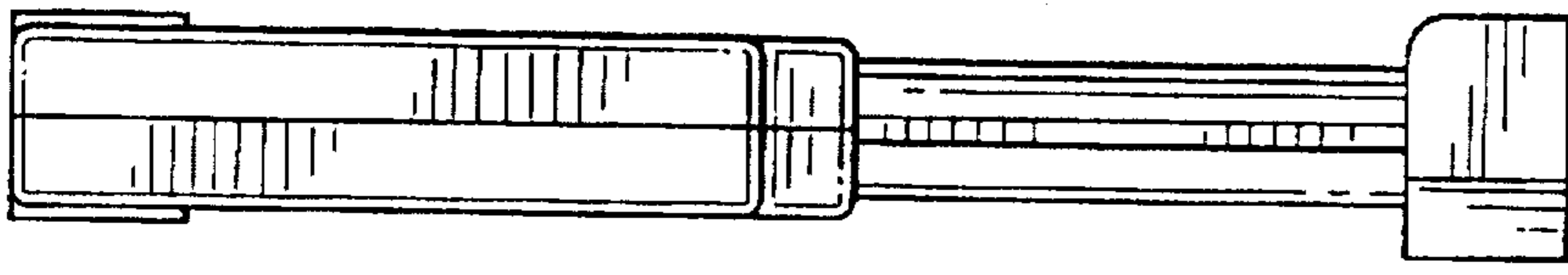


FIG. 7

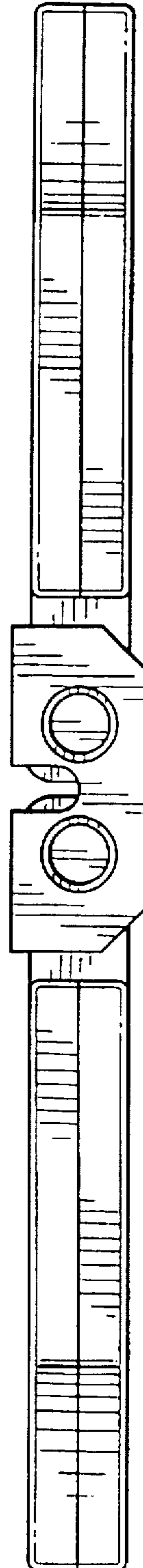


FIG. 6