



US00D395294S

**United States Patent** [19]  
**Verstockt**

[11] **Patent Number: Des. 395,294**  
[45] **Date of Patent: \*\*Jun. 16, 1998**

[54] **COMPUTER INPUT DEVICE**

D. 376,788 12/1996 Emery ..... D14/114  
D. 378,768 4/1997 Couch et al. .... D21/48

[75] **Inventor: Kris Verstockt, Taipei Hsien, Taiwan**

*Primary Examiner—Kay H. Chin*  
*Attorney, Agent, or Firm—Bacon & Thomas*

[73] **Assignee: Primax Electronics Ltd., Taipei Hsien, Taiwan**

[57] **CLAIM**

[\*\*] **Term: 14 Years**

The ornamental design for a computer input device, as shown and described.

[21] **Appl. No.: 71,071**

**DESCRIPTION**

[22] **Filed: May 19, 1997**

FIG. 1 is a perspective view of a computer input device showing our new design;

[51] **LOC (6) Cl. .... 14-02**

FIG. 2 is a front elevational view thereof;

[52] **U.S. Cl. .... D14/114; D21/48**

FIG. 3 is a rear elevational view thereof;

[58] **Field of Search .... D14/100, 114; D21/48; D13/158; 178/18-19; 200/5 A, 5 R, 6 A, 6 R; 345/156-167; 74/471**

FIG. 4 is a left side view thereof;

FIG. 5 is a right side view thereof;

FIG. 6 is a top plane view thereof; and,

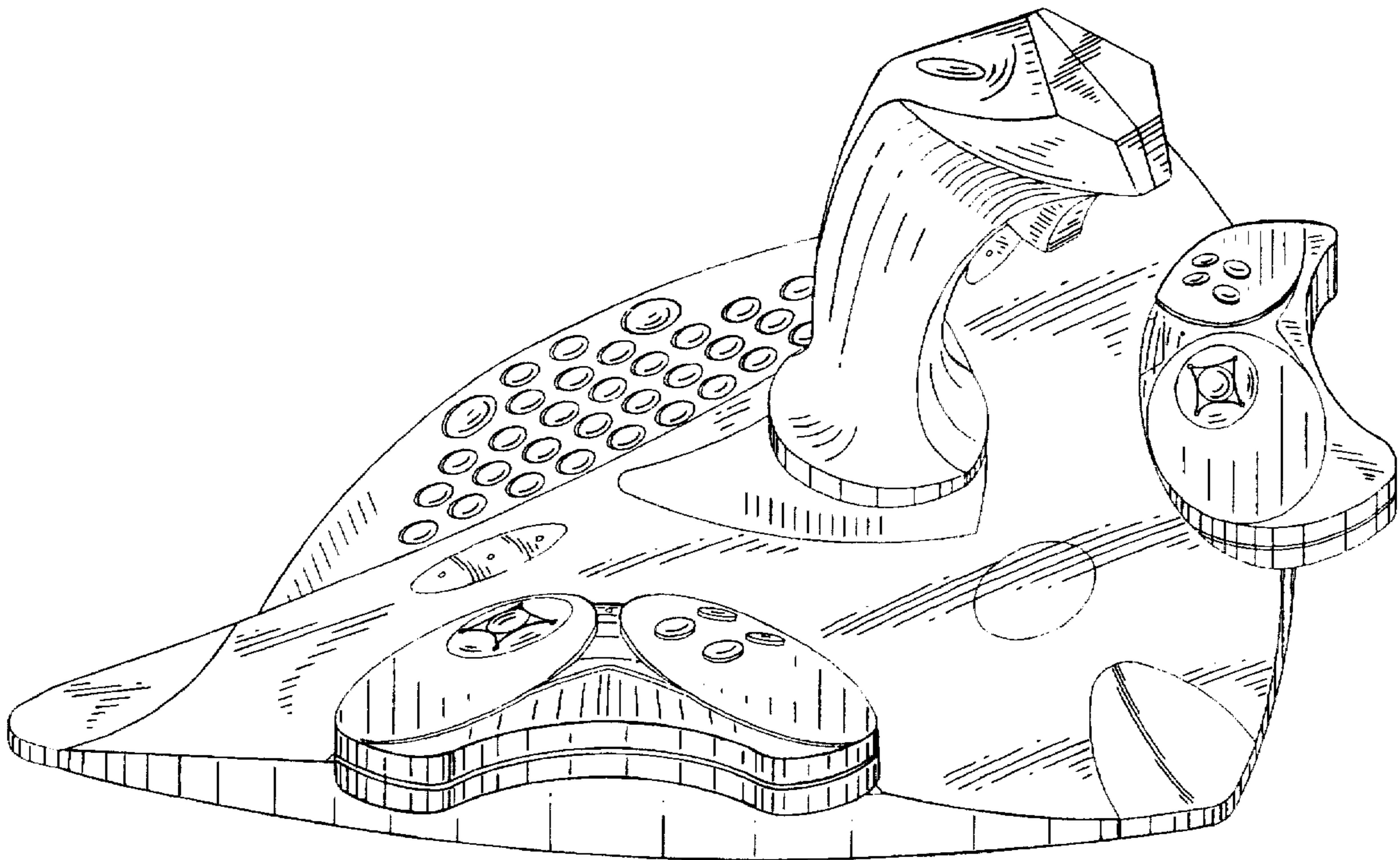
FIG. 7 is a bottom plane view thereof.

[56] **References Cited**

**U.S. PATENT DOCUMENTS**

D. 366,475 1/1996 Sanchez et al. .... D14/114

**1 Claim, 7 Drawing Sheets**



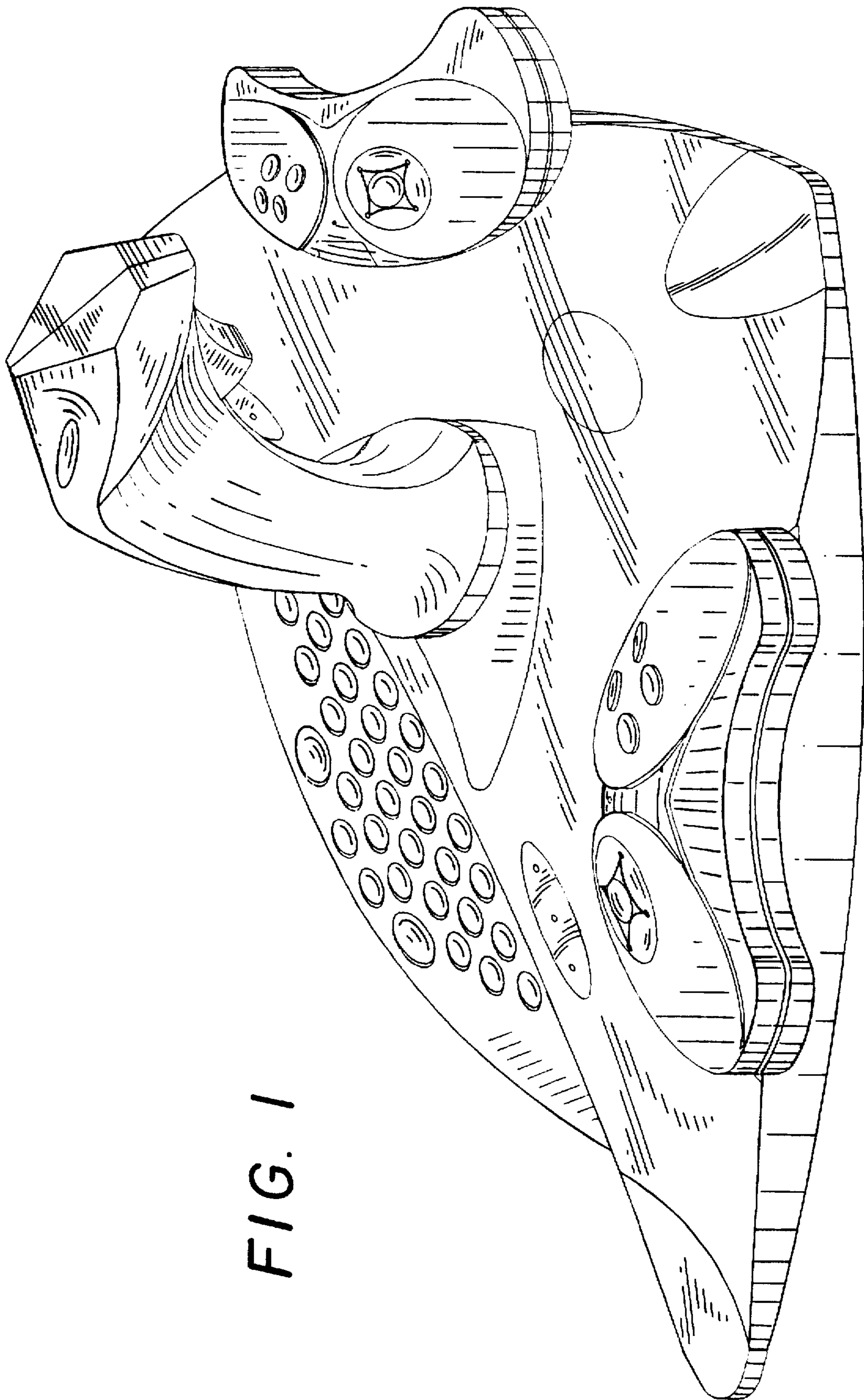


FIG. 1

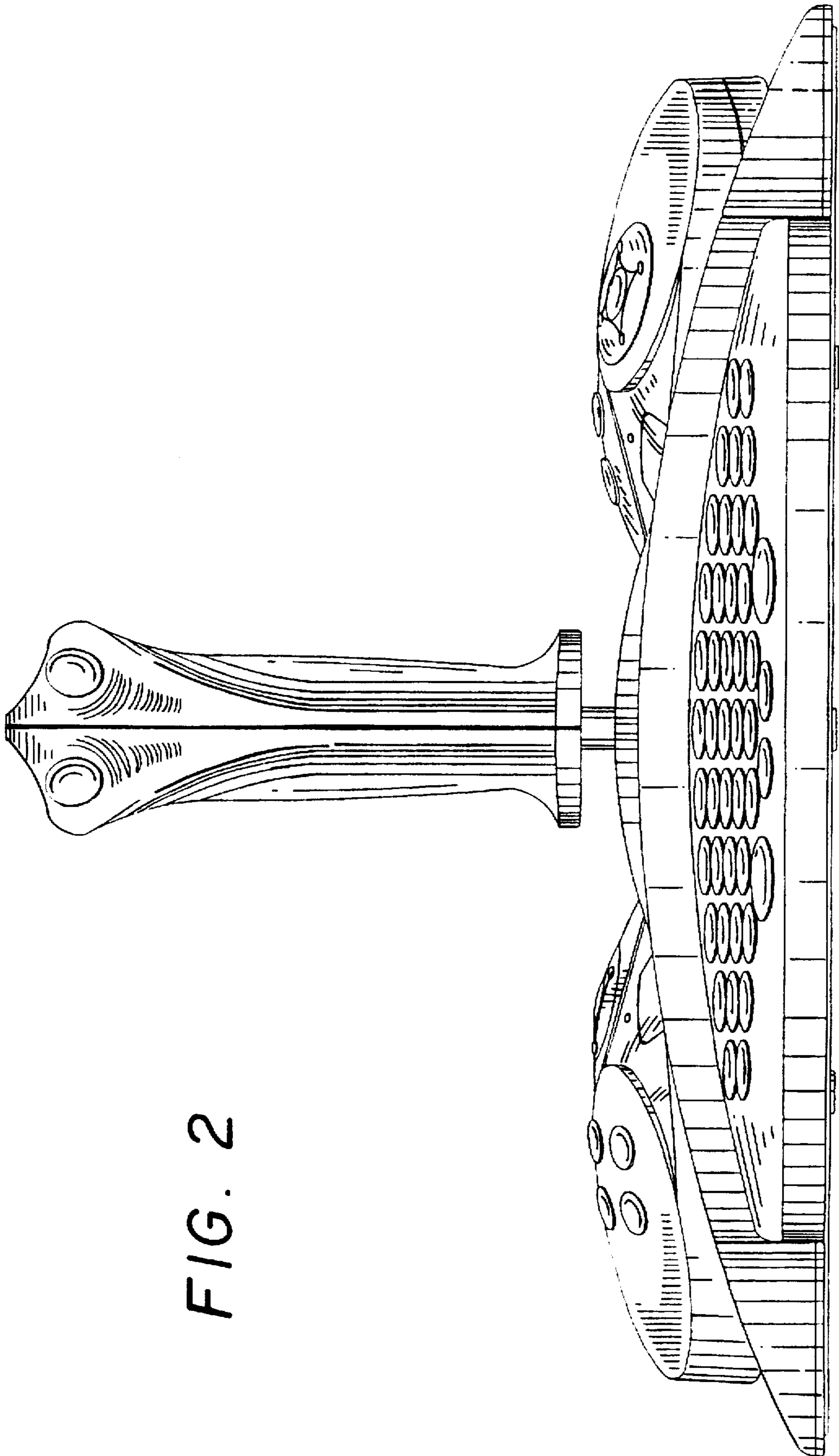


FIG. 2

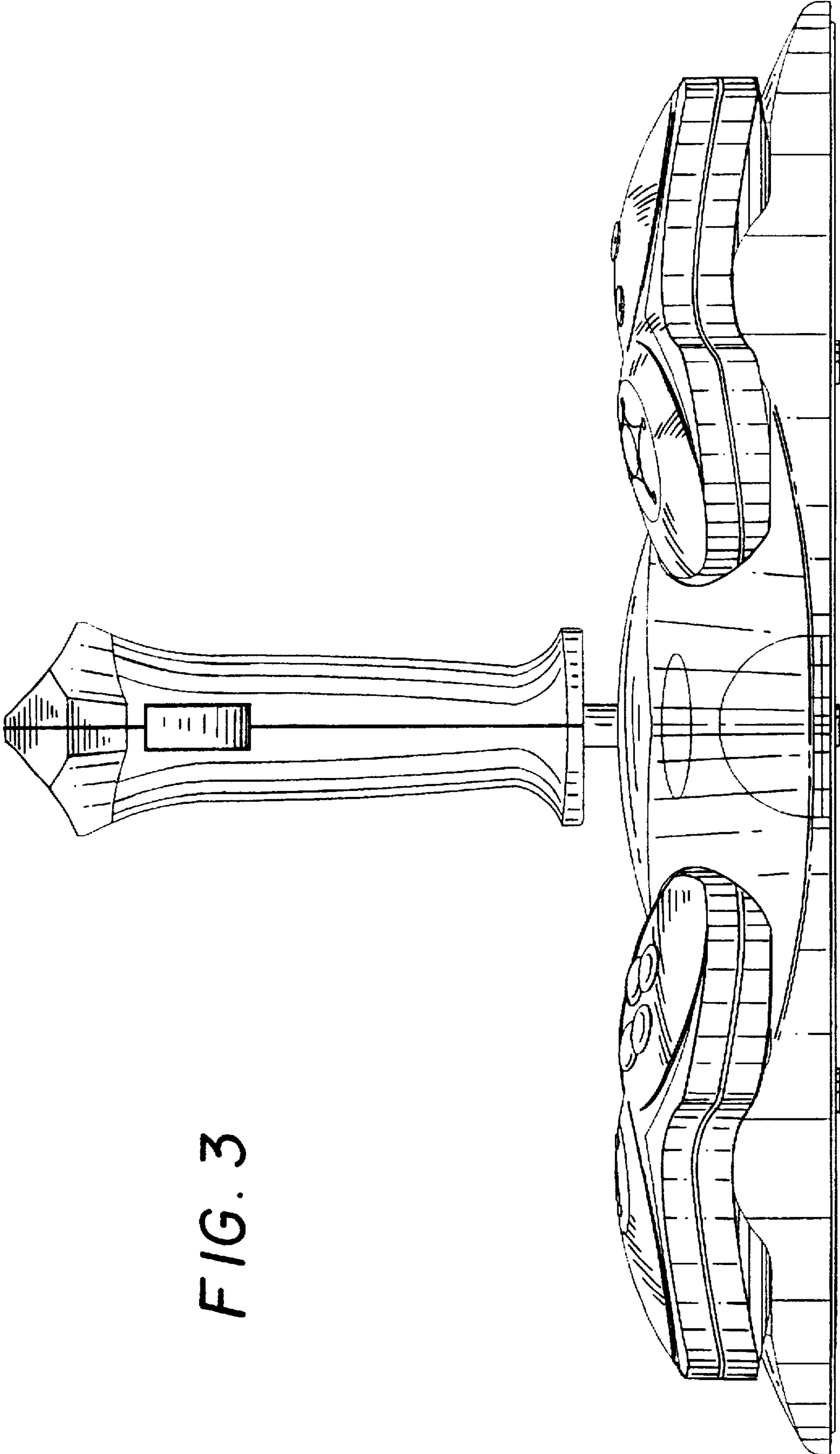


FIG. 3

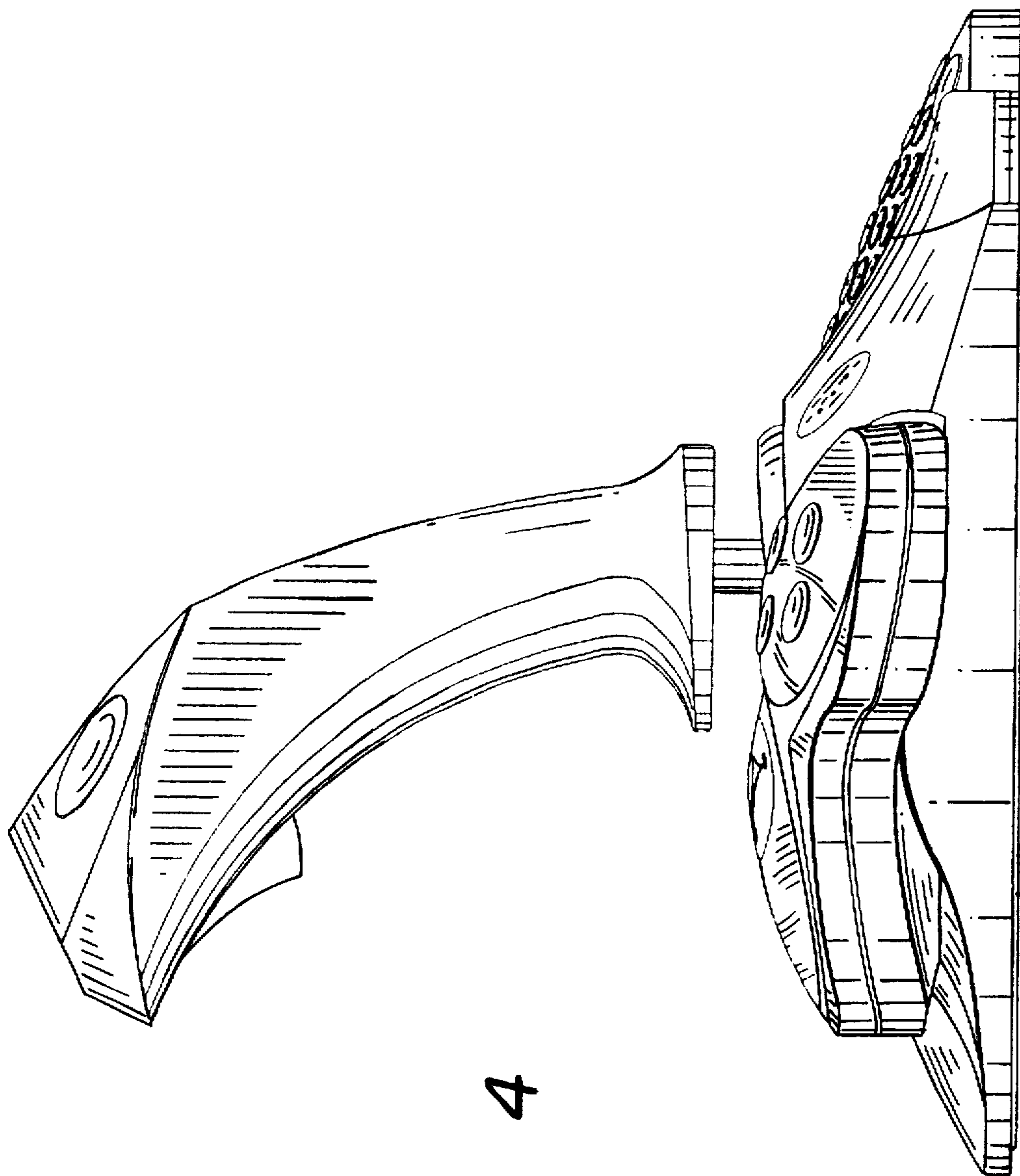


FIG. 4

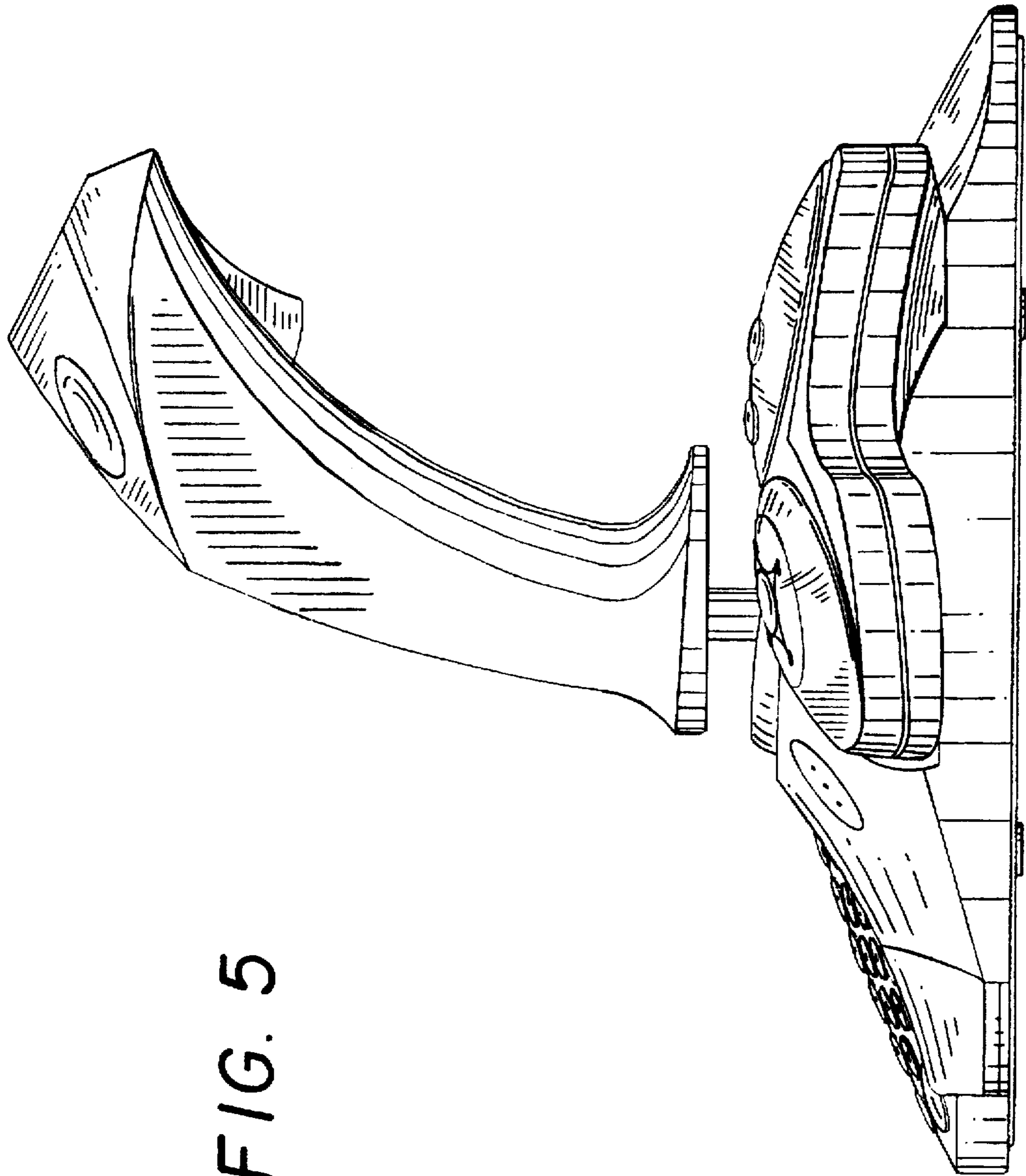


FIG. 5

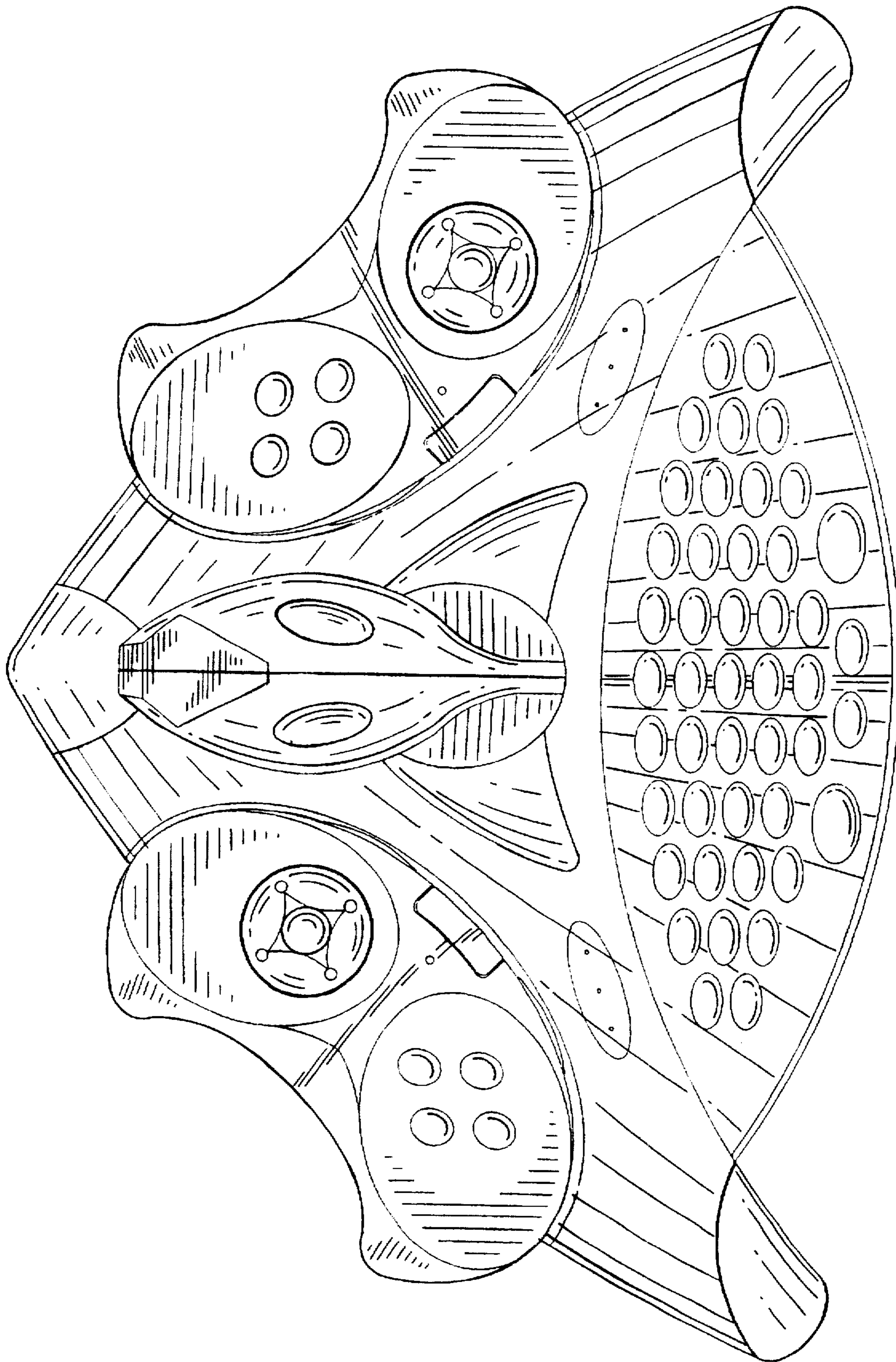


FIG. 6

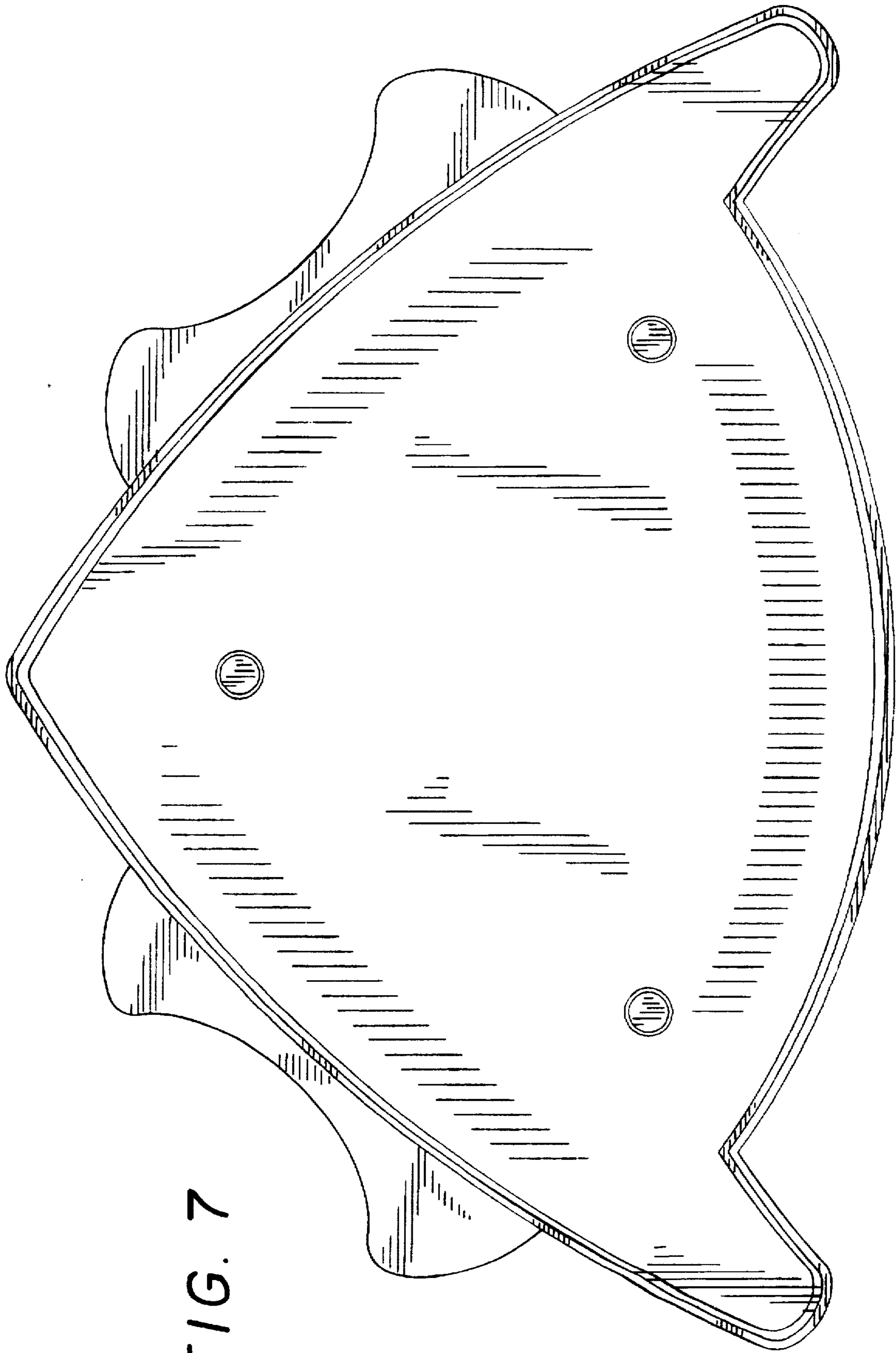


FIG. 7