



US00D395292S

# United States Patent [19]

[11] Patent Number: **Des. 395,292**

Vu

[45] Date of Patent: **\*\*Jun. 16, 1998**

[54] **ICON FOR A HAND-HELD COMPUTER**

[75] Inventor: **Robert Vu**, Houston, Tex.

[73] Assignee: **Texas Microsystems, Inc.**, Houston, Tex.

[\*\*] Term: **14 Years**

[21] Appl. No.: **47,322**

[22] Filed: **Dec. 1, 1995**

[51] LOC (6) Cl. .... **14-02**

[52] U.S. Cl. .... **D14/114.3**

[58] Field of Search ..... **D14/114-114.9;**  
**D18/24, 27; D10/11; D19/6; 395/155, 157,**  
**159**

Microsoft Word Quick Results, Microsoft, image in front icon, p. 28, 1993.

Microsoft Windows User's Guide, version 2.0, Microsoft Corp., circle and filled circle icons, p. 48, 1987.

Symbol Sourcebook, Van Nostrand Reinhold Co., to find, punched tape reader/writer, stop code, writing-reading diode symbols, p. 61, 1972.

Symbol Sourcebook, Van Nostrand Reinhold Co., ecology symbol, p. 57, arena enclosure, community territory, staff lounge symbols, p. 53, 1972.

Symbol Sourcebook, Van Nostrand Reinhold Co, stenciled sign, single outlet floor symbols, p. 48, existing trees and running water symbols, p. 51, 1972.

*Primary Examiner*—M. H. Tung

*Attorney, Agent, or Firm*—Vinson & Elkins L.L.P.

[57] **CLAIM**

The icon for a hand-held computer, as shown and described.

**DESCRIPTION**

FIG. 1 is a perspective view of the icon for a hand-held computer, the broken line drawing of the hand-held computer is for illustrative purposes only and forms no part of the claimed design; and,

FIG. 2 is a front view of the icon for a hand-held computer shown in FIG. 1, the icon being shown separately for clarity of illustration, in an enlarged scale.

**1 Claim, 2 Drawing Sheets**

[56] **References Cited**

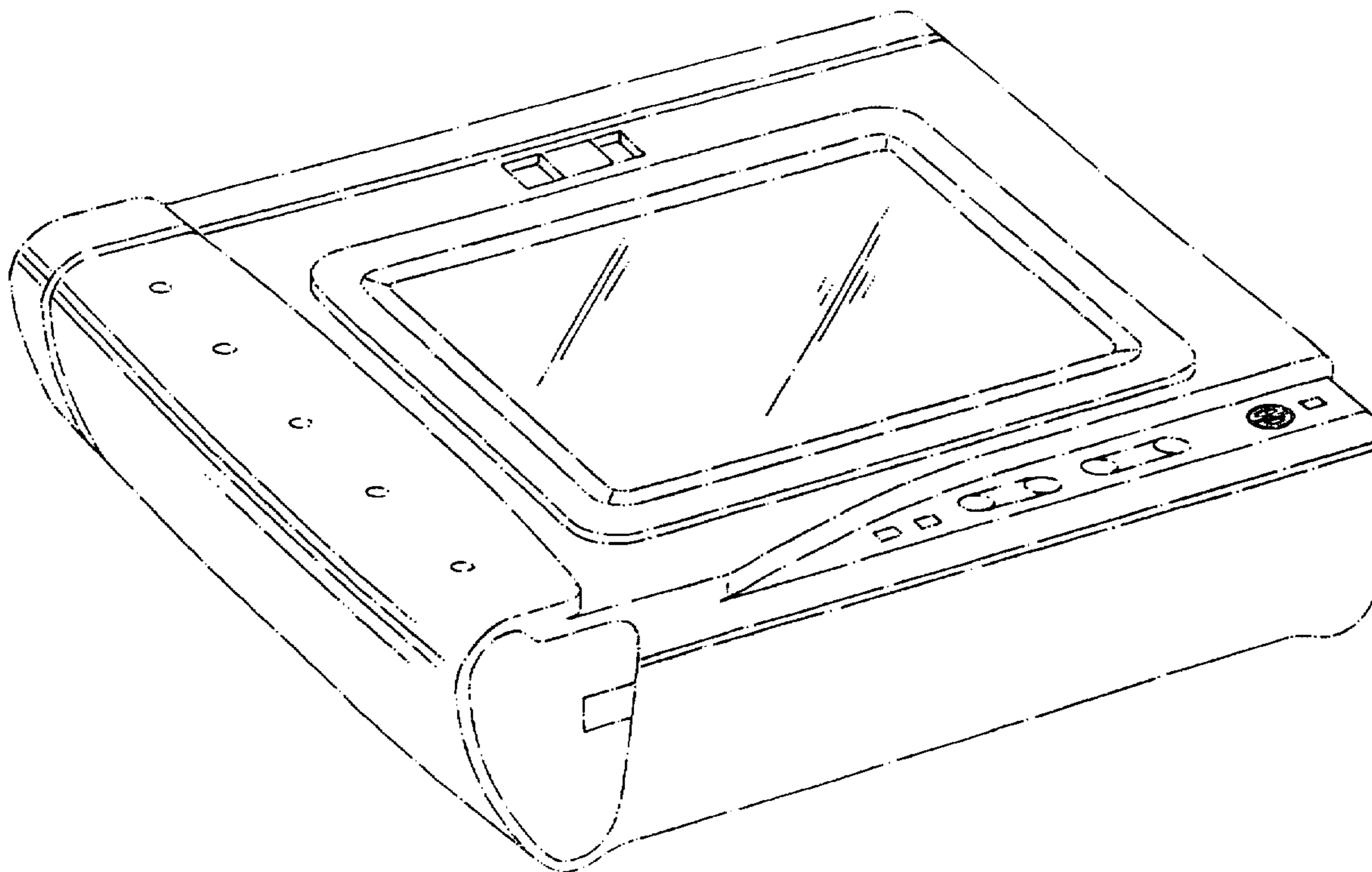
**U.S. PATENT DOCUMENTS**

D. 270,271 8/1983 Steele ..... D18/27  
D. 296,339 6/1988 Wells-Papanek et al. .... D18/27

**OTHER PUBLICATIONS**

Microsoft Windows User's Guide, version 3.1, Microsoft, circle icon, p. 358, 1992.

3D home Architect Quick Start Card, Broderbund, outlet tool icon, p. 5, 1993.



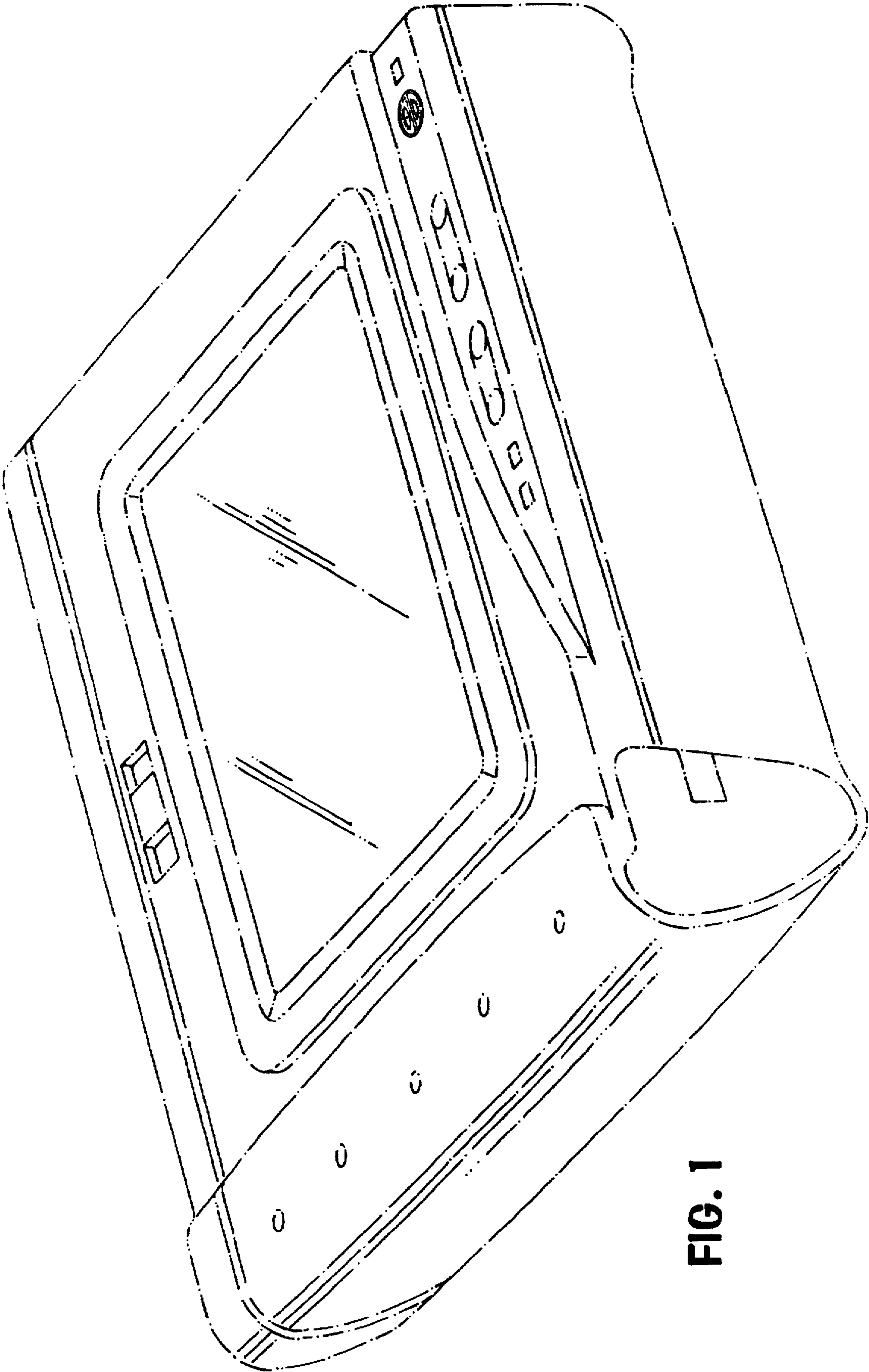


FIG. 1

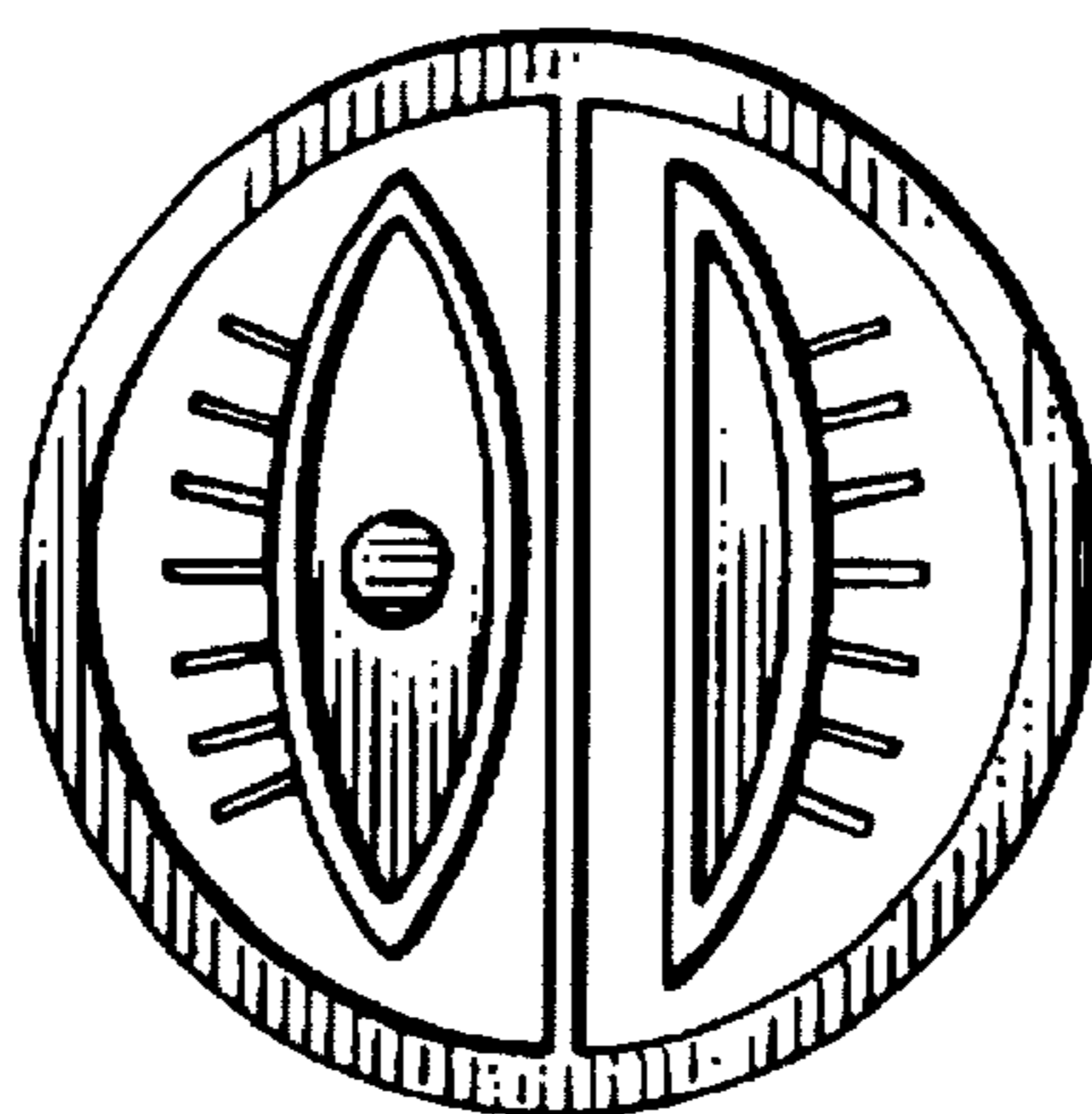


FIG. 2