



US00D395289S

United States Patent [19]
Iino

[11] **Patent Number: Des. 395,289**

[45] **Date of Patent: **Jun. 16, 1998**

[54] **ELECTRONIC COMPUTER**

FOREIGN PATENT DOCUMENTS

[75] **Inventor: Masaaki Iino, Saitama-ken, Japan**

M9501993 12/1995 Germany .

[73] **Assignee: Kabushiki Kaisha Toshiba, Kawasaki, Japan**

OTHER PUBLICATIONS

[**] **Term: 14 Years**

Fujitsu (FMV-450NL/S) (Catalog), Aug. 16, 1995 (date obtained by applicant).

Zenith Data Systems Corporatic (Z STAR EX) (Catalog), Jan. 10, 1995 (date obtained by applicant).

[21] **Appl. No.: 65,270**

Primary Examiner—Freda Nunn

[22] **Filed: Jan. 30, 1997**

Attorney, Agent, or Firm—Banner & Witcoff, Ltd.

[30] **Foreign Application Priority Data**

Sep. 11, 1996 [JP] Japan 8-26887

[57] **CLAIM**

The ornamental design for an electronic computer, as shown and described.

[51] **LOC (6) Cl. 14-02**

DESCRIPTION

[52] **U.S. Cl. D14/106**

[58] **Field of Search** D14/100, 106, D14/113, 115; D18/1, 2, 7; 235/145 A, 145 R; 341/22, 23; 345/104, 156, 168, 173, 160; 361/680-686; 364/708.1; 400/486, 489

FIG. 1 is a top, front and right side perspective view of an electronic computer showing my new design;
FIG. 2 is a front elevational view thereof;
FIG. 3 is a top plan view thereof;
FIG. 4 is a bottom plan view thereof;
FIG. 5 is a left side elevational view thereof;
FIG. 6 is a right side elevational view thereof;
FIG. 7 is a rear elevational view thereof;
FIG. 8 is a front elevational view in a closed position thereof;
FIG. 9 is a top plan view in the closed position thereof; and,
FIG. 10 is a right side elevational view in the closed position.

[56] **References Cited**

U.S. PATENT DOCUMENTS

D. 324,674 3/1992 Iino D14/106
D. 351,377 10/1994 Yu D14/106
D. 359,033 6/1995 Lee D14/106
D. 364,387 11/1995 Chiba et al. D14/106

1 Claim, 5 Drawing Sheets

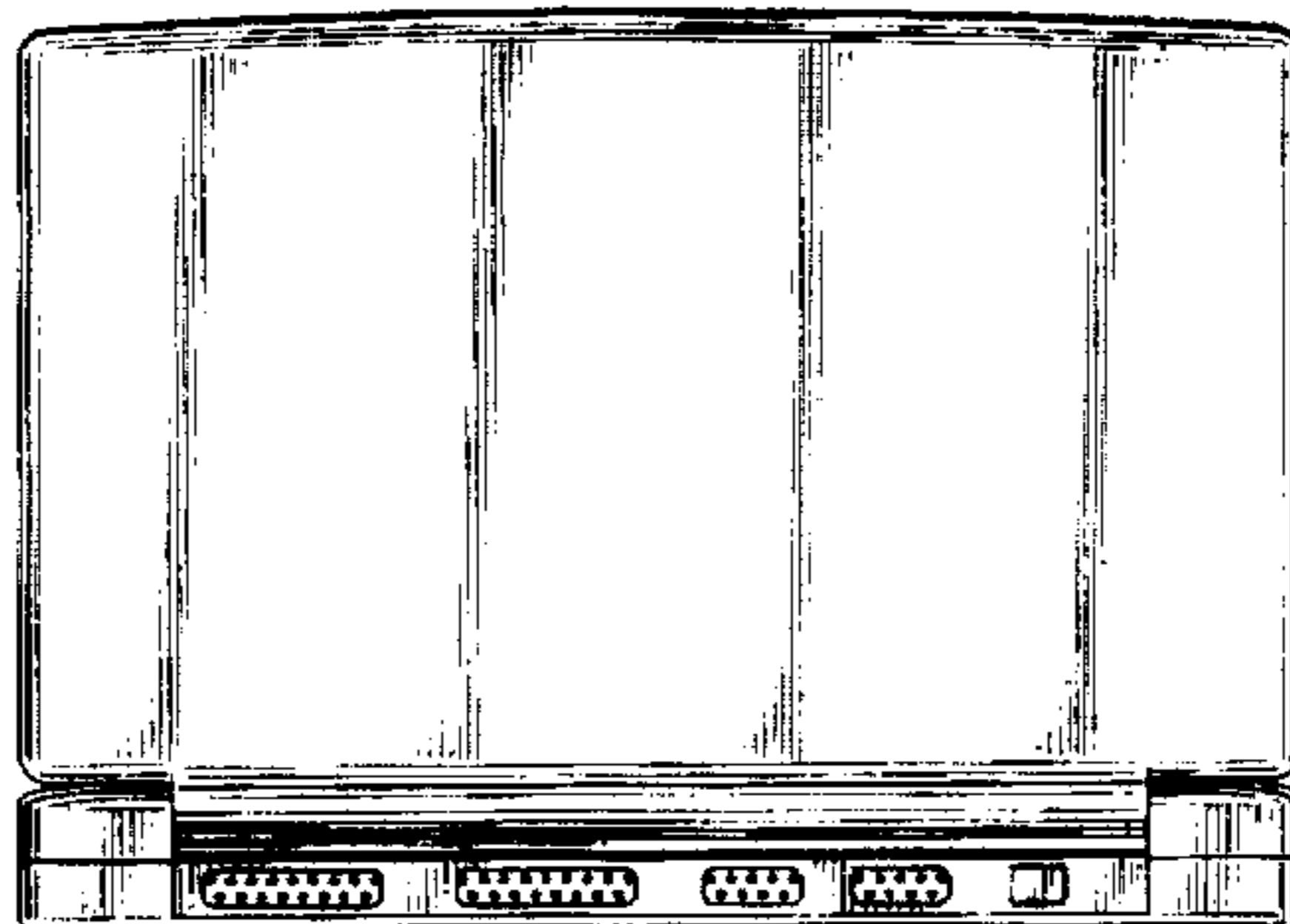
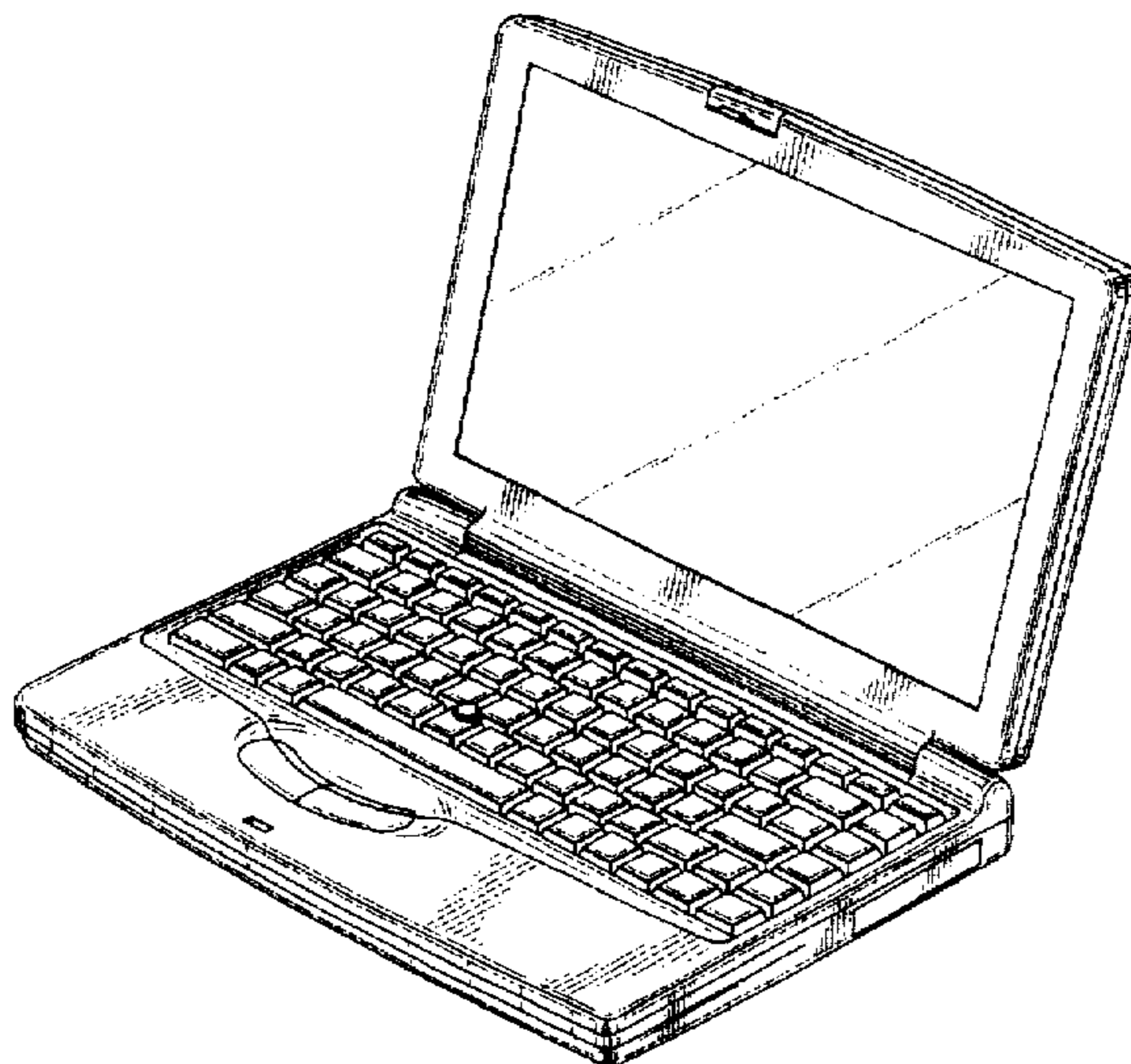


FIG. 1

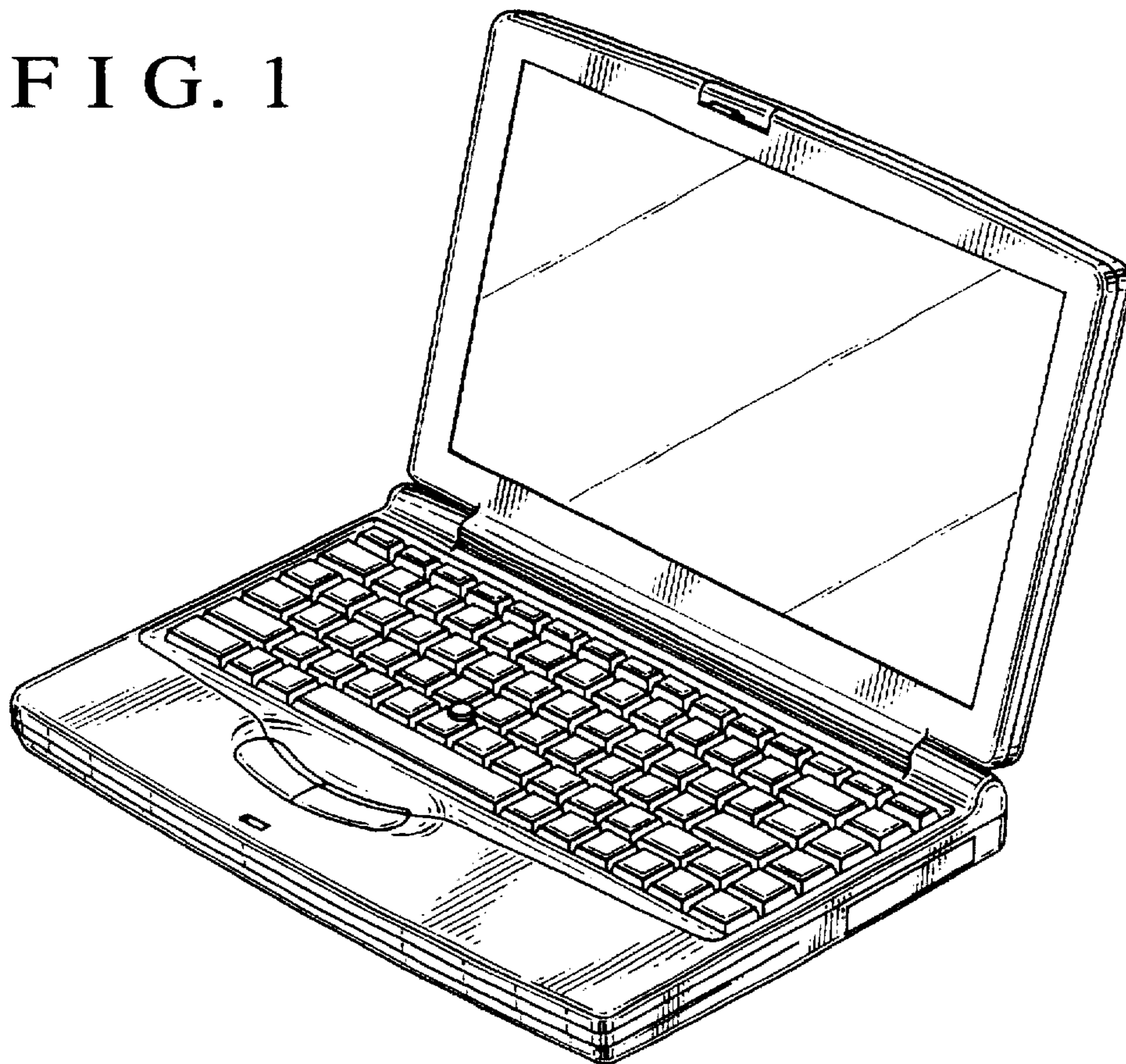


FIG. 2

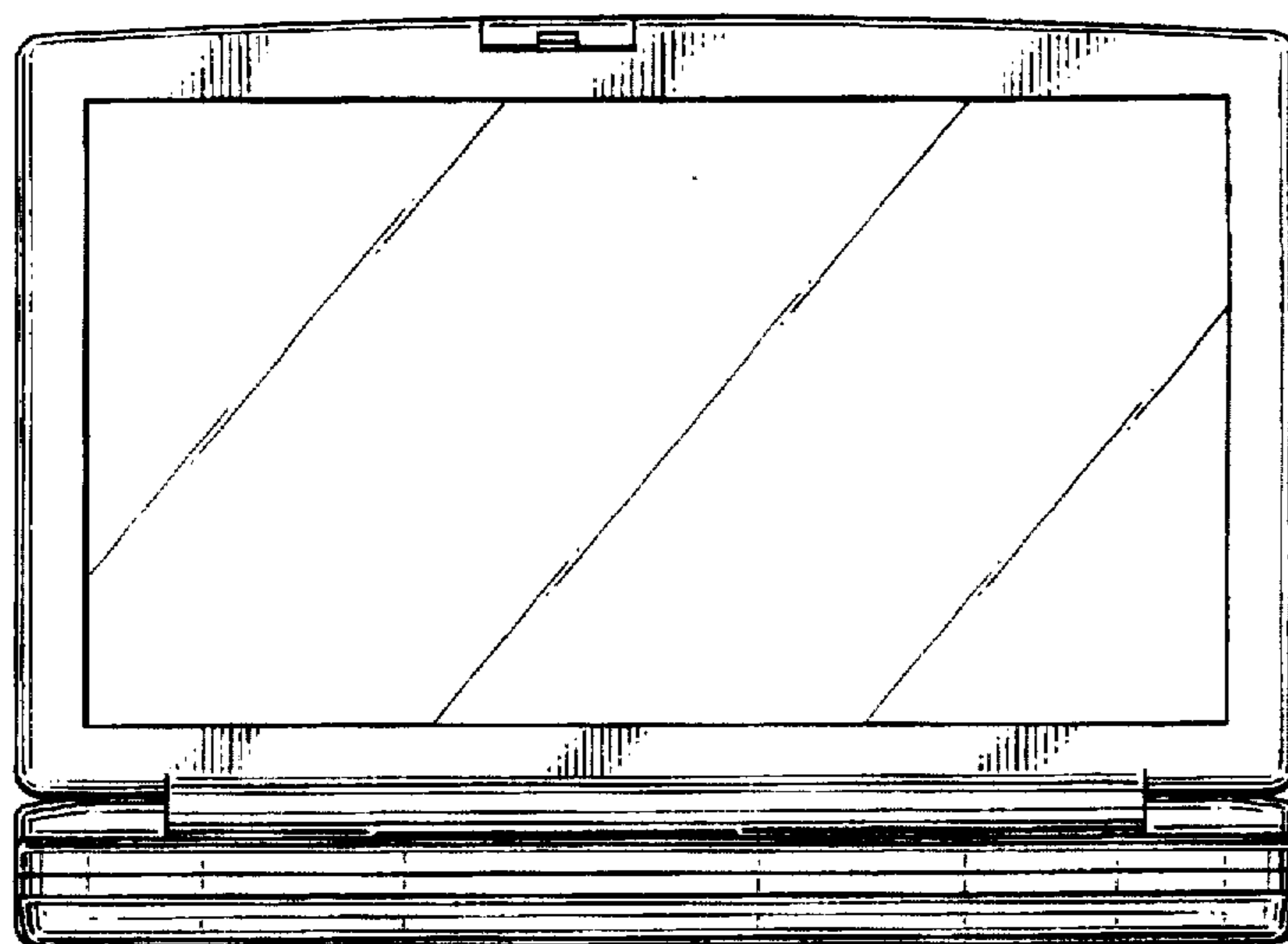


FIG. 3

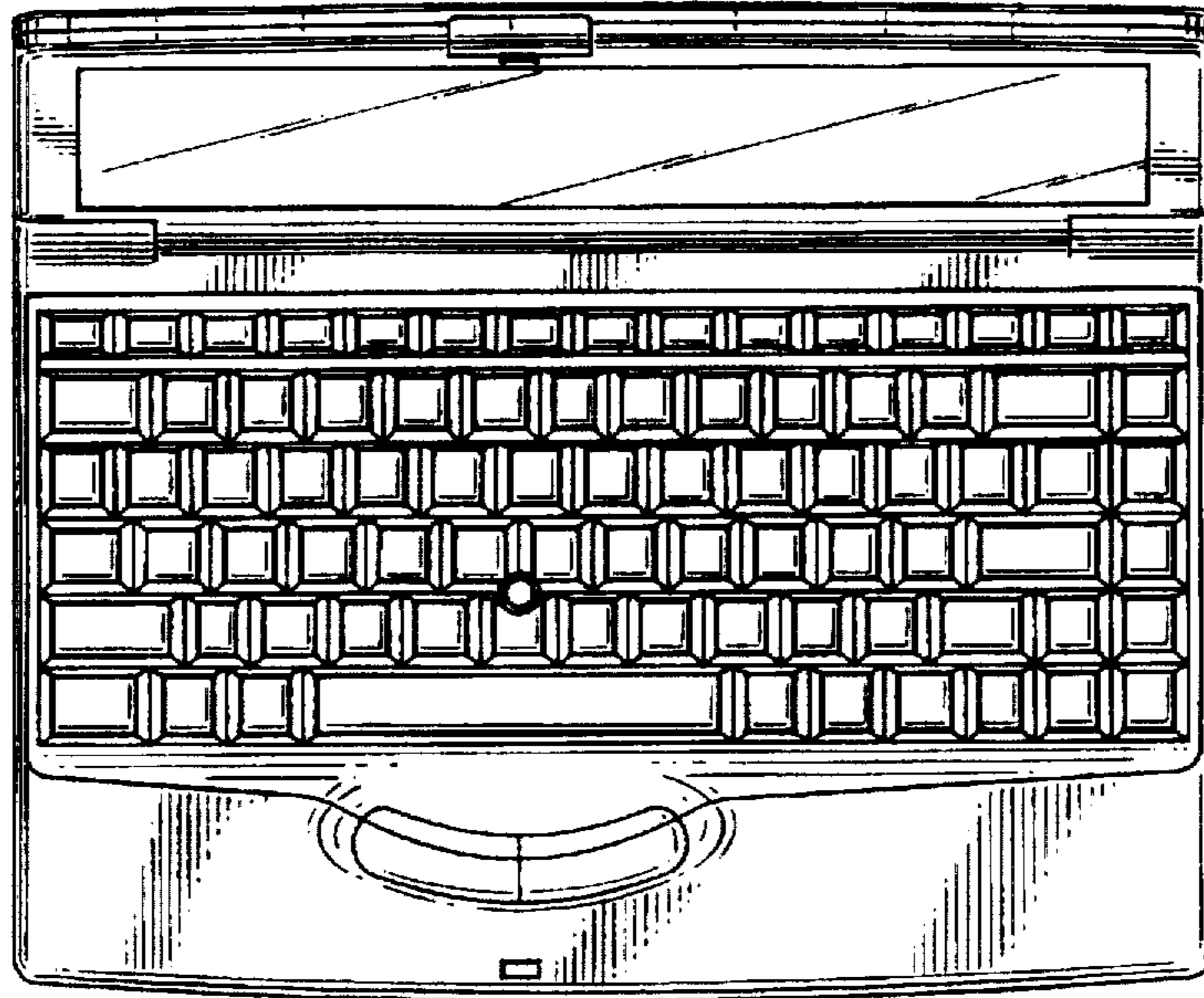


FIG. 4

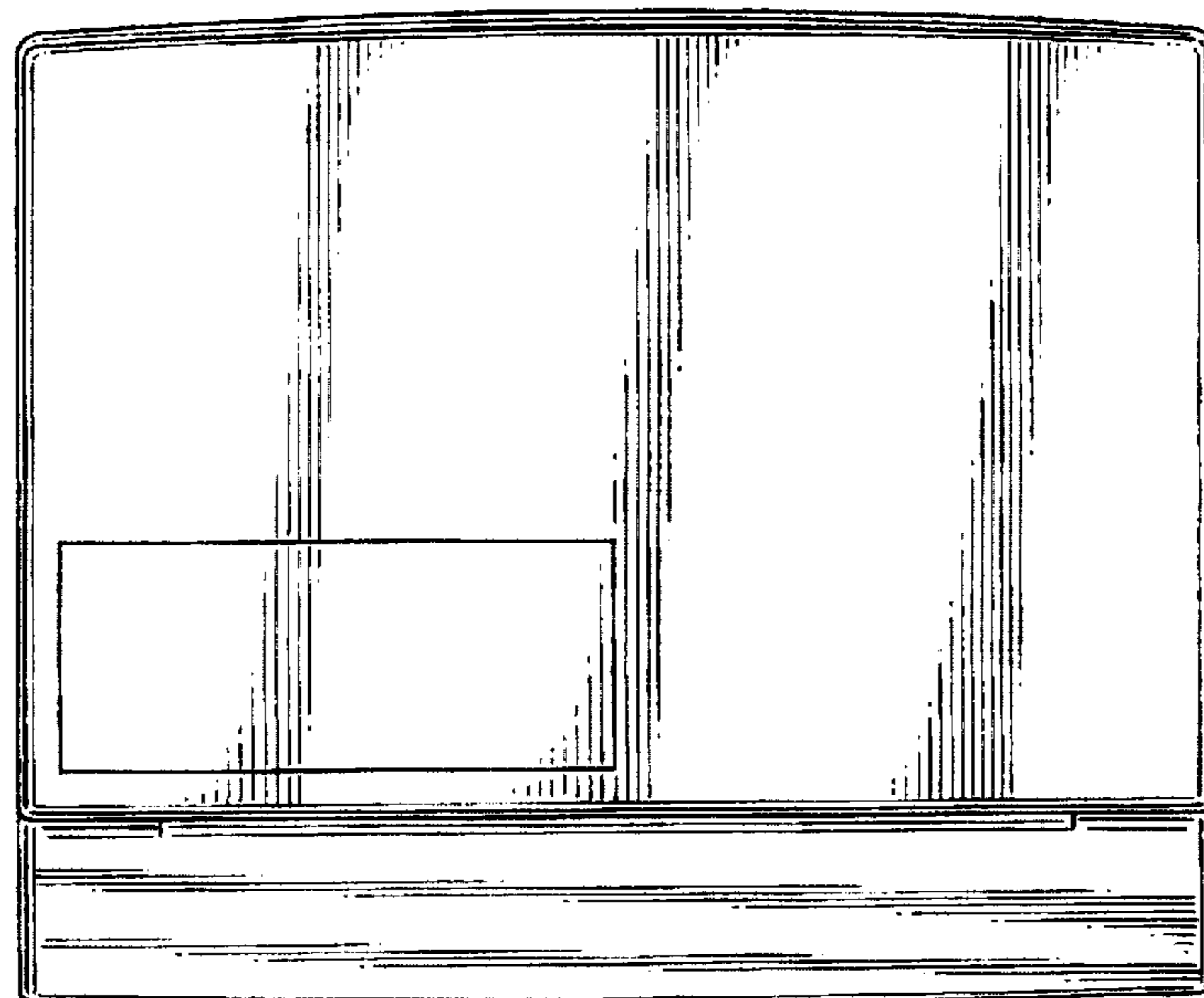


FIG. 5

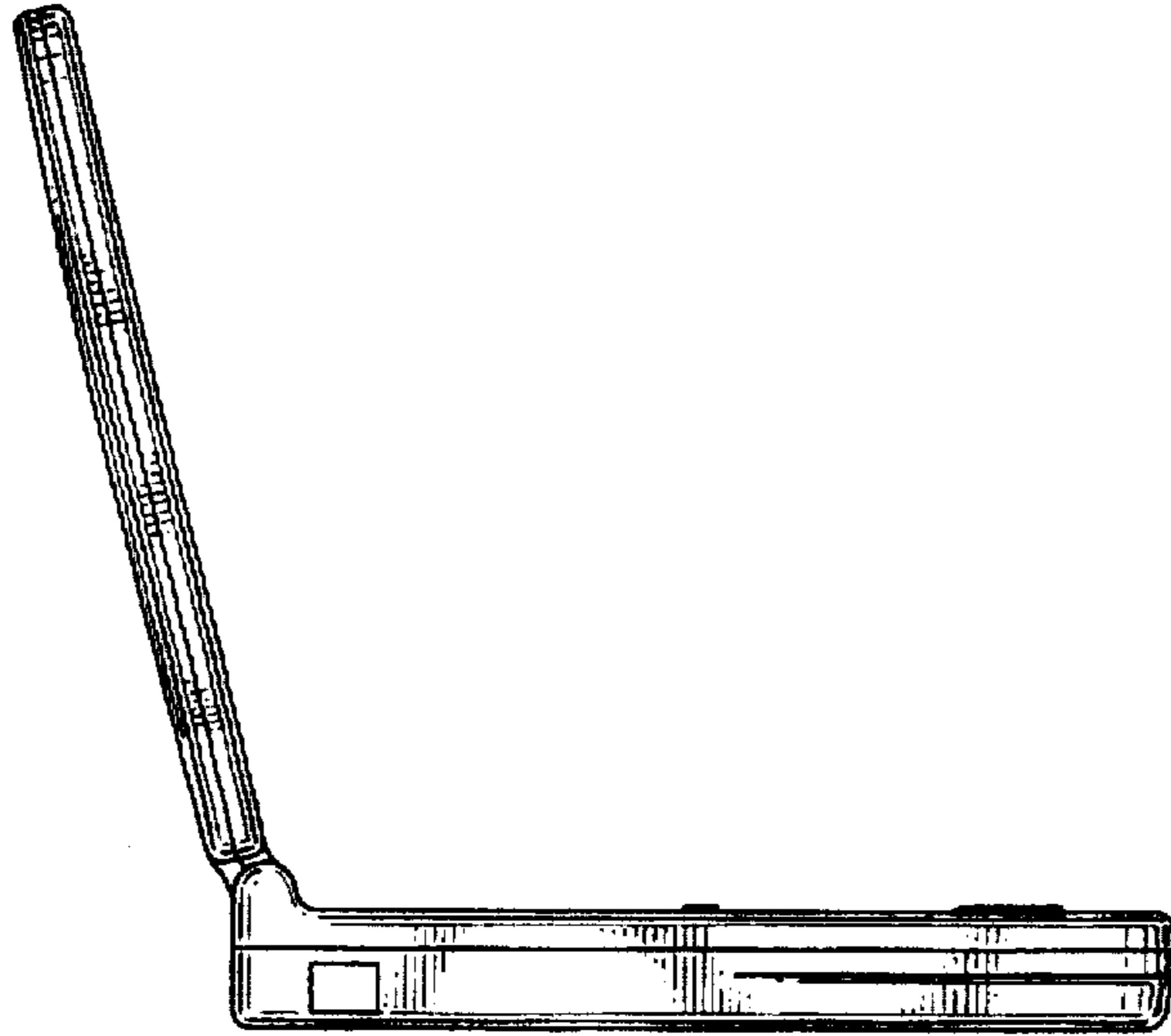


FIG. 6

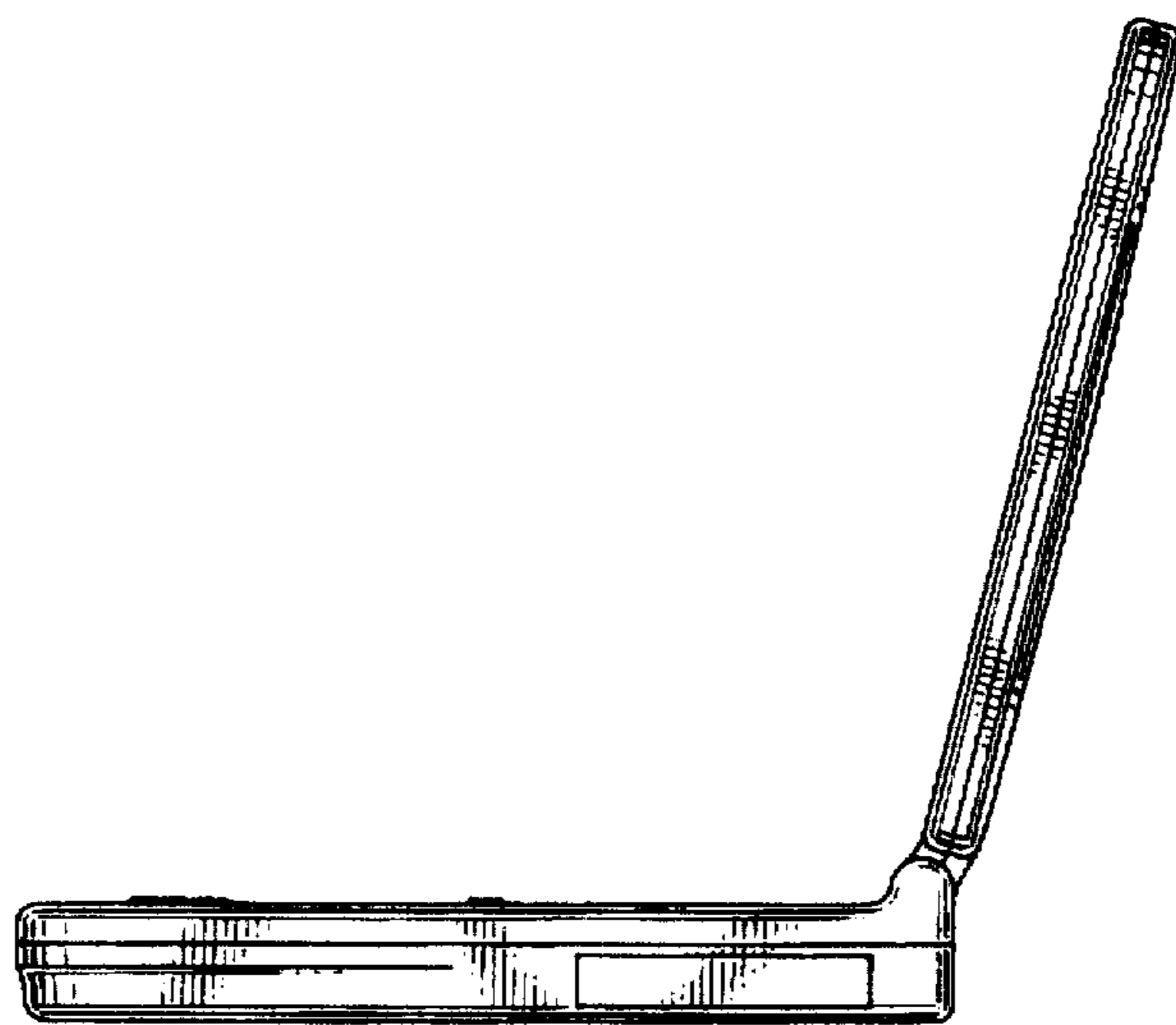


FIG. 7

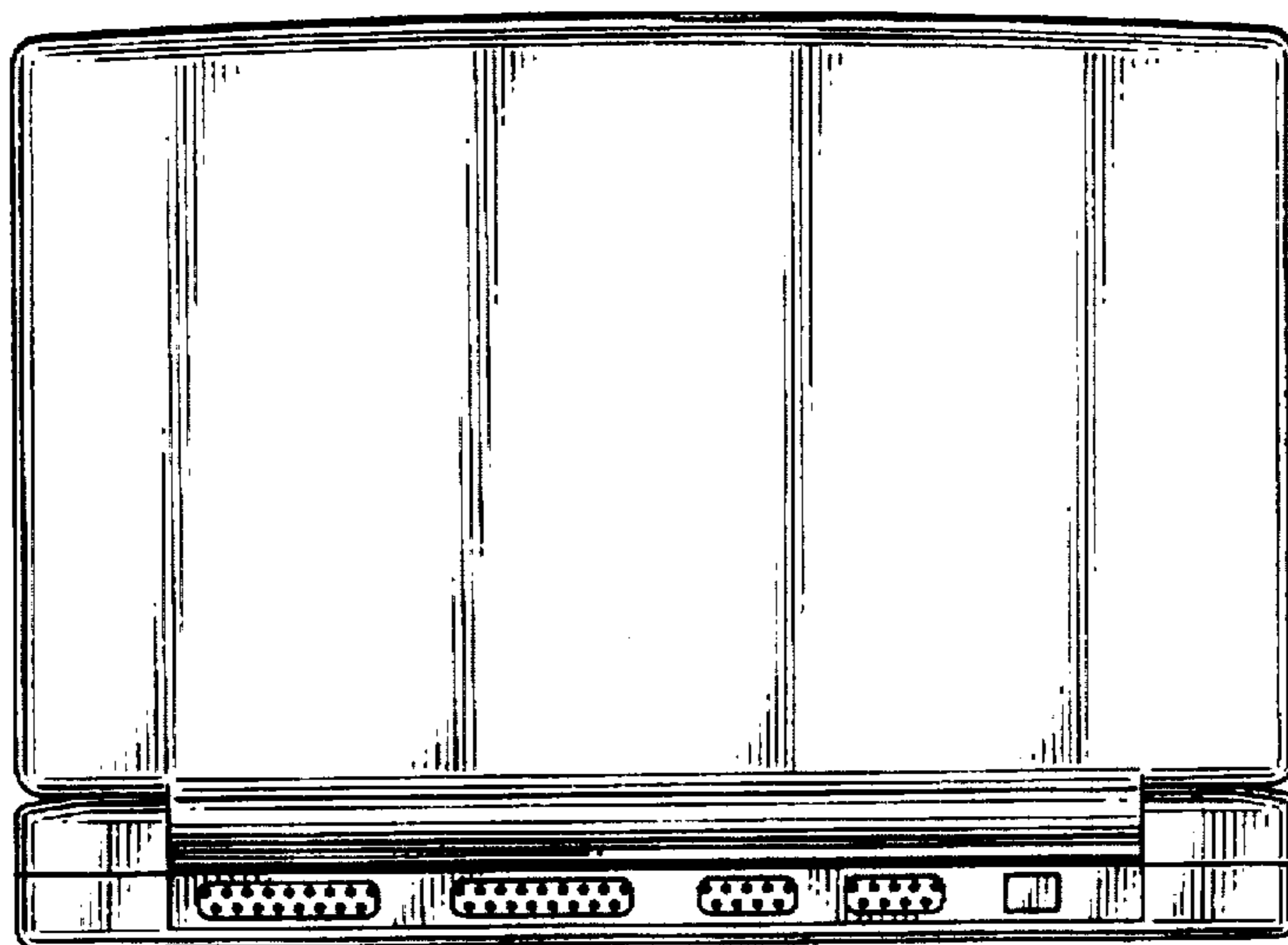


FIG. 8

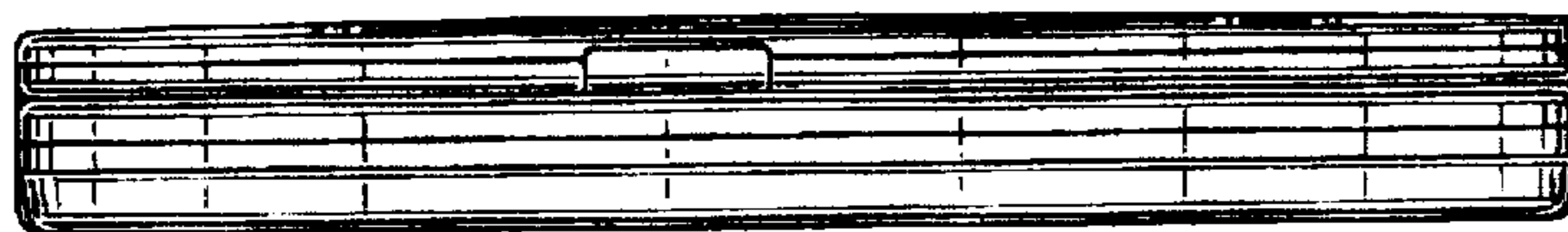


FIG. 9

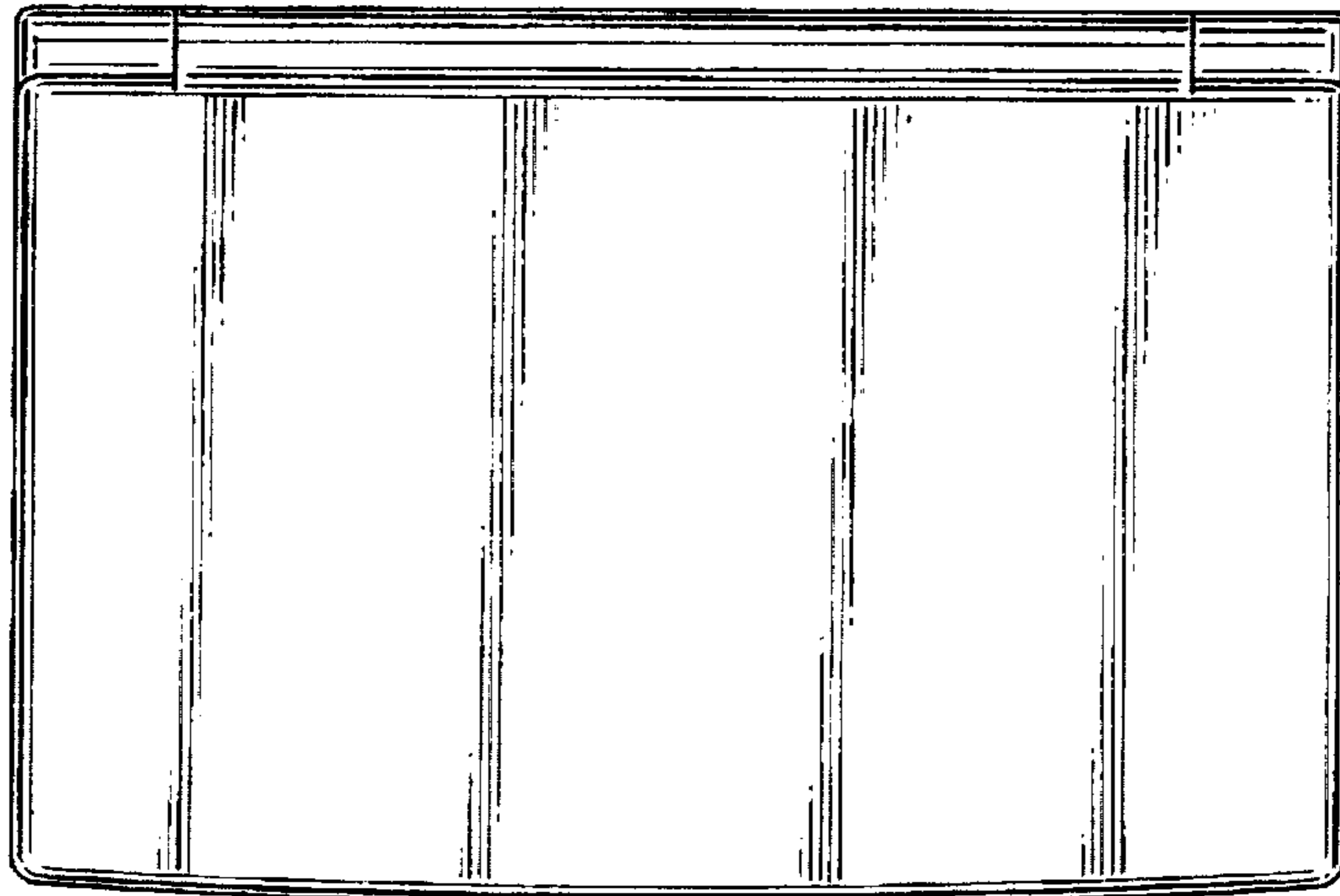


FIG. 10

