



US00D395285S

United States Patent [19]

Allon

[11] Patent Number: **Des. 395,285**

[45] Date of Patent: ****Jun. 16, 1998**

[54] **CONTROL UNIT**

[75] Inventor: **Noam S. Allon, Haifa, Israel**

[73] Assignee: **Medivision, Medical Imaging Ltd.,
Yokneam Elit, Israel**

[**] Term: **14 Years**

[21] Appl. No.: **51,008**

[22] Filed: **Mar. 1, 1996**

[51] **LOC (6) Cl.** **14-02**

[52] **U.S. Cl.** **D14/100**

[58] **Field of Search** D13/162-164,
D13/177, 184; D14/100, 102, 106; D21/48,
59; 341/22, 23; 345/156, 168, 169, 172,
173, 87; 364/708.1

[56] **References Cited**

U.S. PATENT DOCUMENTS

- D. 320,199 9/1991 Koh et al. D14/114
- D. 340,916 11/1993 Iimura D14/100

- D. 363,511 10/1995 Hui D21/59
- D. 377,929 2/1997 Sekino et al. D14/100
- D. 379,090 5/1997 Maekawa et al. D14/100
- D. 380,201 6/1997 Ross et al. D14/100

Primary Examiner—James Gandy
Assistant Examiner—Cathron B. Matta
Attorney, Agent, or Firm—Abelman, Frayne & Schwab

[57] **CLAIM**

The ornamental design for a control unit, as shown and described.

DESCRIPTION

FIG. 1 is a front perspective view of the control unit; FIG. 2 is a front view of the control unit; FIG. 3 is a right-hand side view of the control unit; FIG. 4 is a top view of the control unit; FIG. 5 is a left-hand view of the control unit; and, FIG. 6 is a bottom view thereof. The rear of the control unit forms no part of the claimed design.

1 Claim, 6 Drawing Sheets

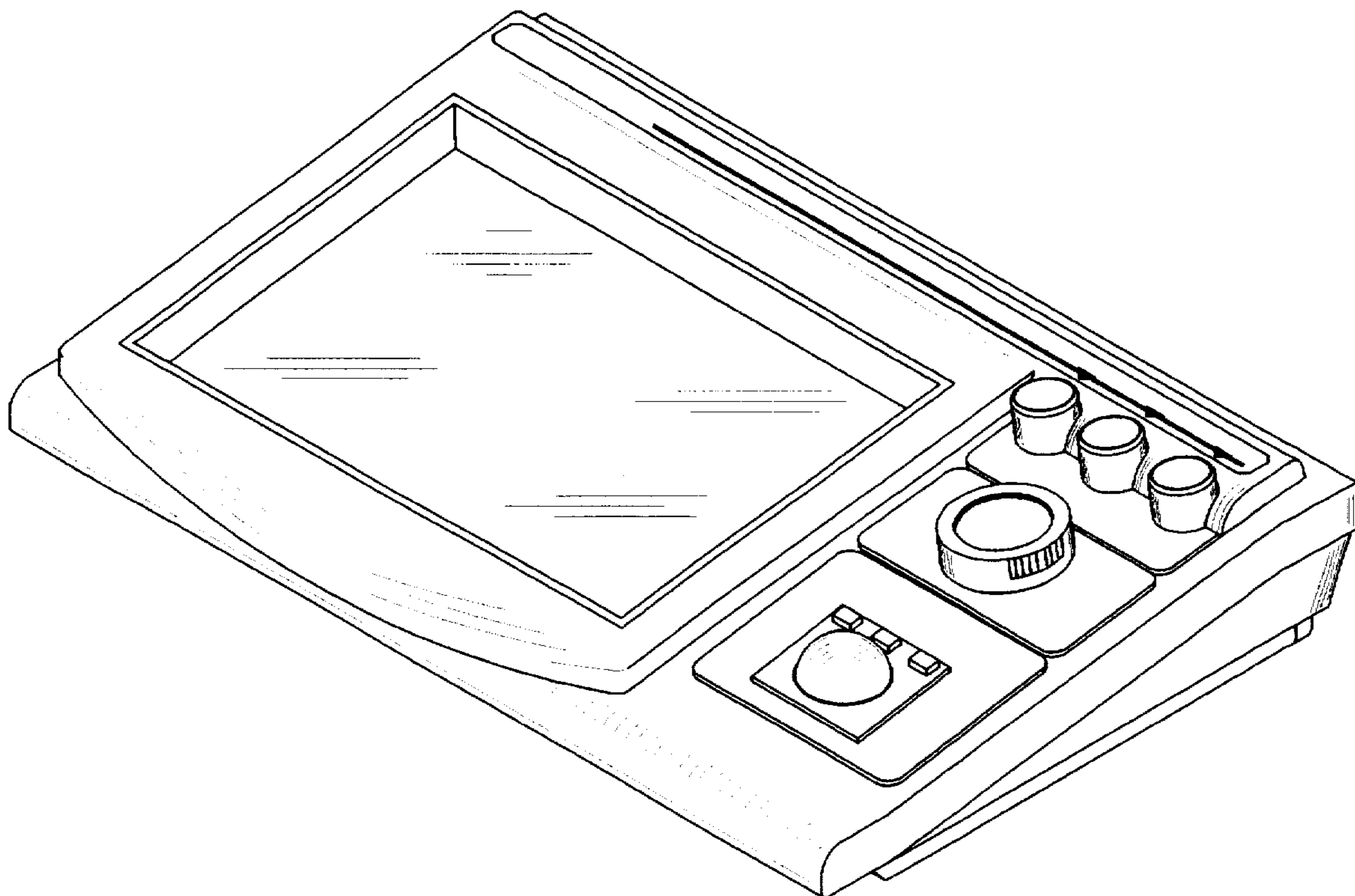


FIG. 1

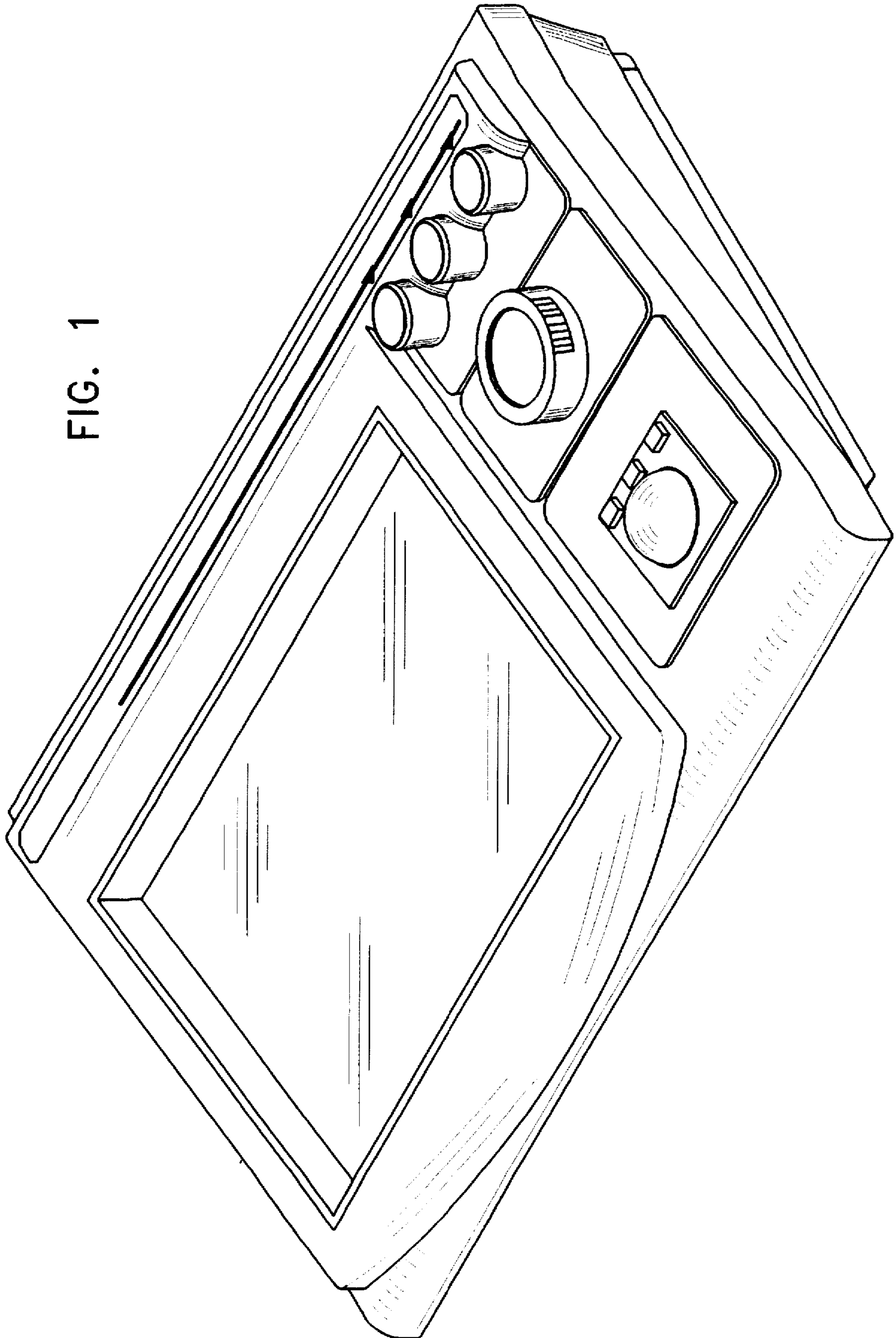


FIG. 2

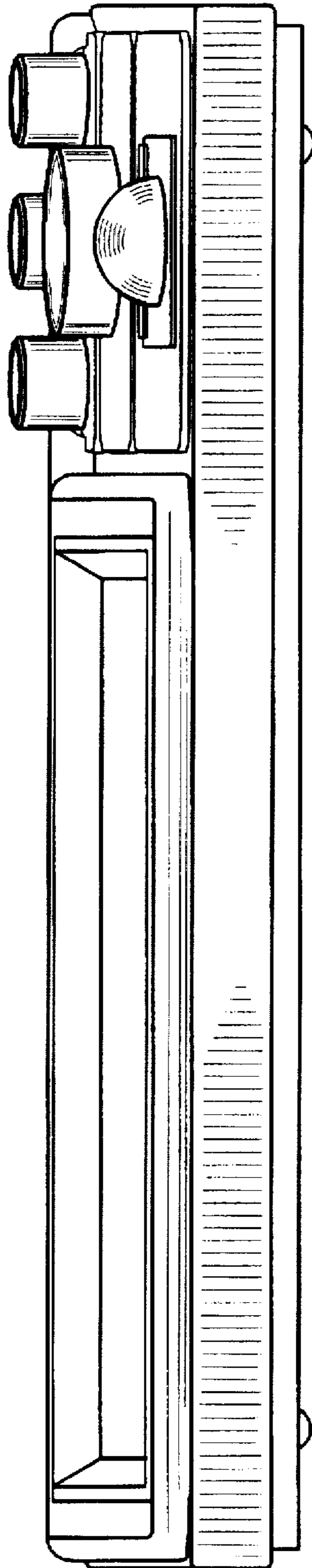


FIG. 3

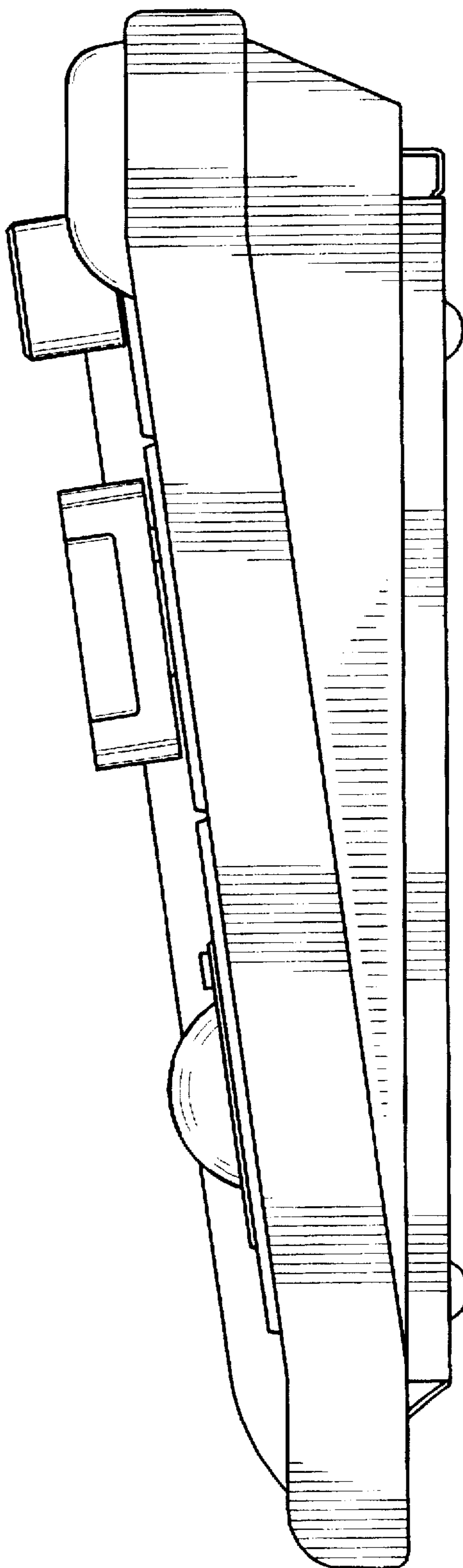


FIG. 4

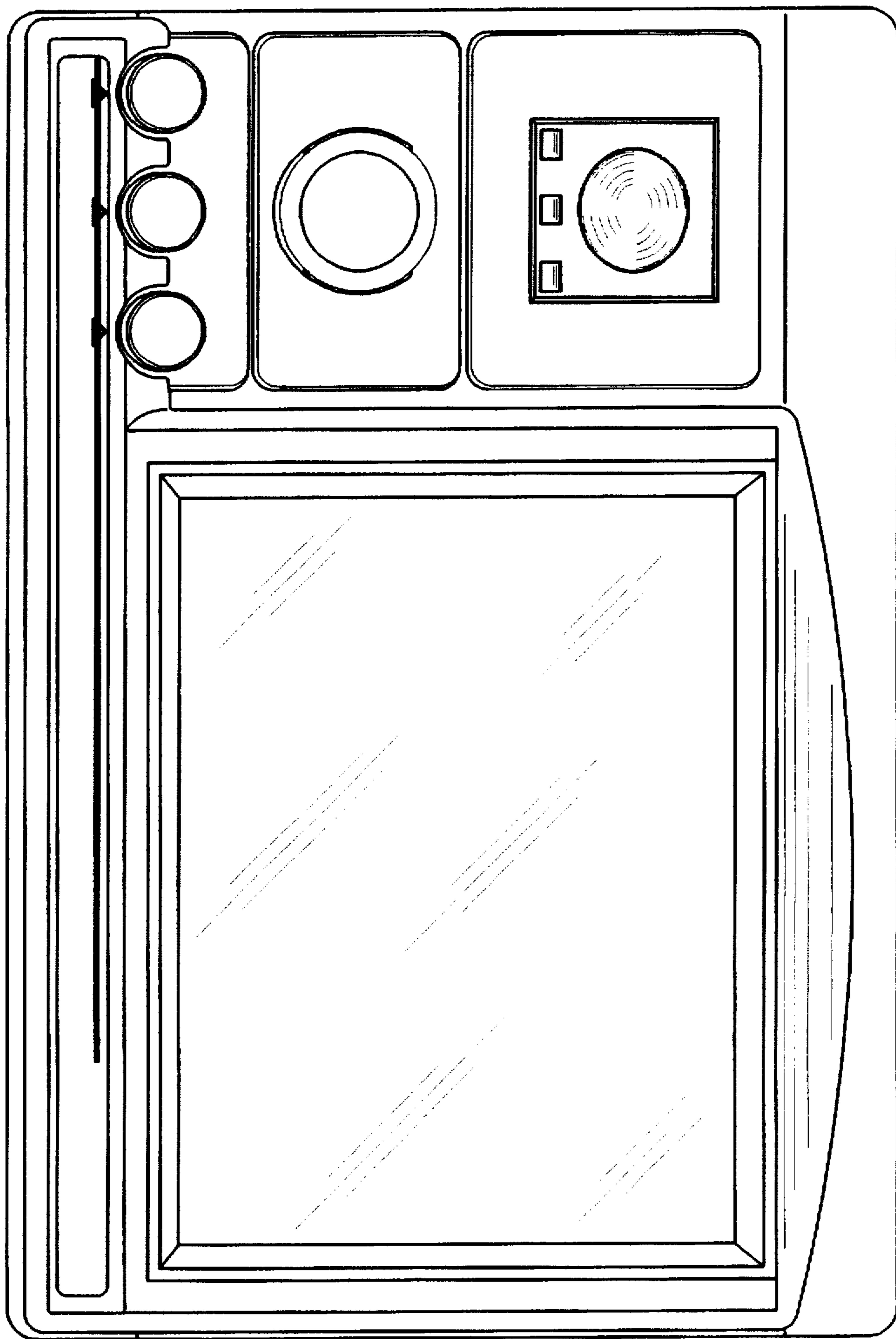


FIG. 5

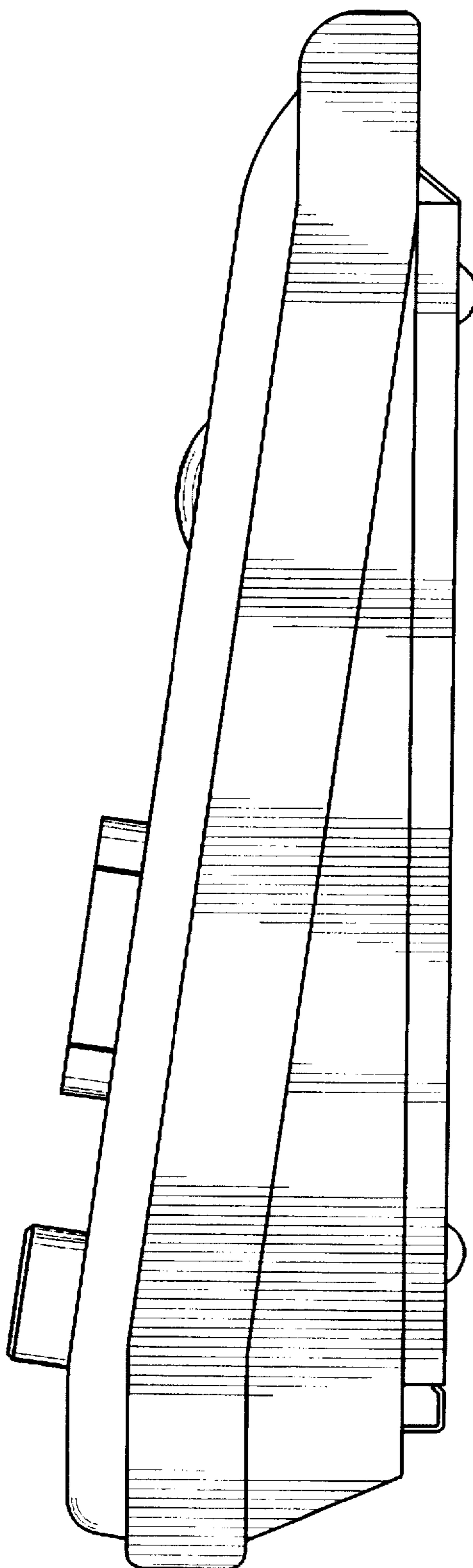


FIG. 6

