



US00D395276S

**United States Patent** [19]  
**Lundgren**

[11] **Patent Number:** **Des. 395,276**  
[45] **Date of Patent:** **\*\*Jun. 16, 1998**

[54] **CLAMPING PLATE FOR LOAD CARRIER FOOT**

[75] **Inventor:** **Anders Lundgren, Grimsås, Sweden**

[73] **Assignee:** **Industri AB Thule, Hilleerstorp, Sweden**

[\*\*] **Term:** **14 Years**

[21] **Appl. No.:** **42,943**

[22] **Filed:** **Aug. 21, 1995**

[30] **Foreign Application Priority Data**

Jun. 15, 1995 [SE] Sweden ..... 95-1218

[51] **LOC (6) Cl.** ..... **12-16**

[52] **U.S. Cl.** ..... **D12/414**

[58] **Field of Search** ..... **D12/414, 400; 224/309, 315-317, 322-329, 331; 296/37.7**

[56] **References Cited**

**U.S. PATENT DOCUMENTS**

D. 276,989 1/1985 Whitney ..... D12/414

D. 283,118	3/1986	Eklund	.....	D12/414
D. 294,340	2/1988	Robson	.....	D12/414
D. 299,913	2/1989	Arvidson	.....	D12/414
D. 300,913	5/1989	Kamaya	.....	D12/223
D. 317,744	6/1991	Bolt	.....	D12/414
4,640,450	2/1987	Gallion et al.	.....	224/331

*Primary Examiner*—Melody N. Brown  
*Attorney, Agent, or Firm*—Novak Druce & Burt

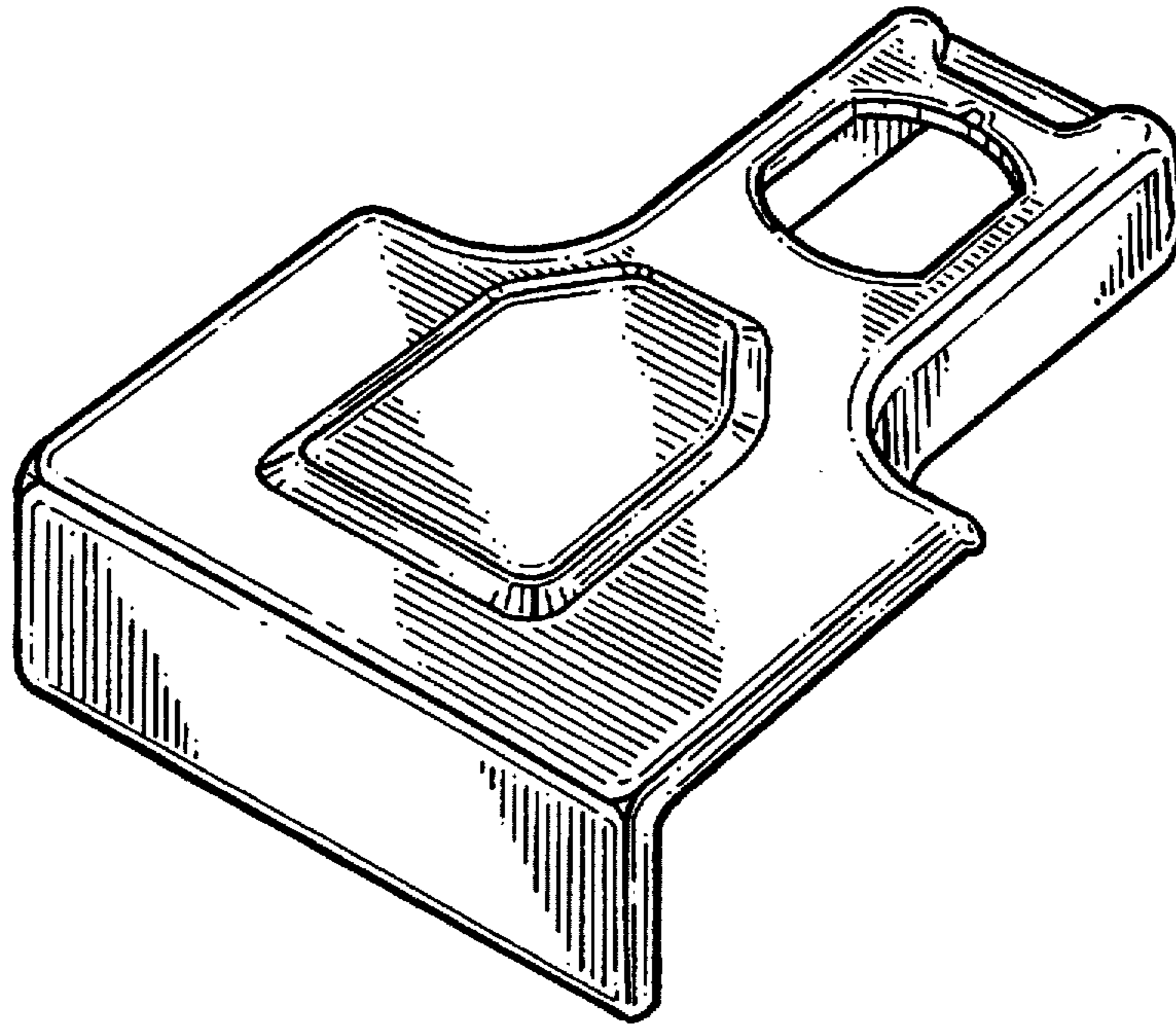
[57] **CLAIM**

The ornamental design for a clamping plate for load carrier foot, as shown and described.

**DESCRIPTION**

FIG. 1 is a top perspective view of a clamping plate for a load carrier foot according to my new design; FIG. 2 is a bottom perspective view thereof; FIG. 3 a front view thereof; FIG. 4 is a back view thereof; FIG. 5 is a top view thereof; FIG. 6 is a bottom view thereof; and, FIG. 7 is a left side view thereof, the right side being a mirror image of that shown.

**1 Claim, 2 Drawing Sheets**



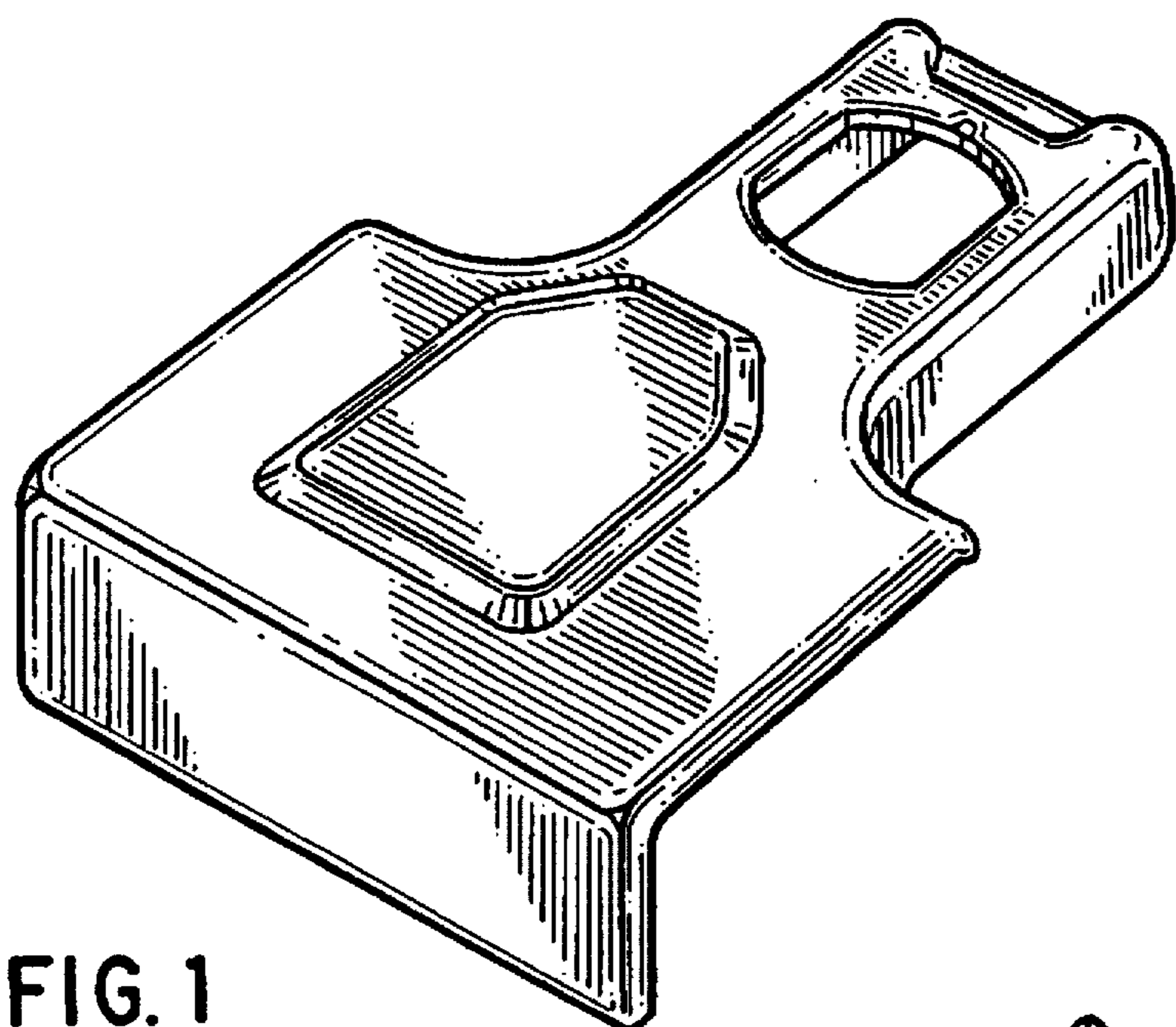


FIG. 1

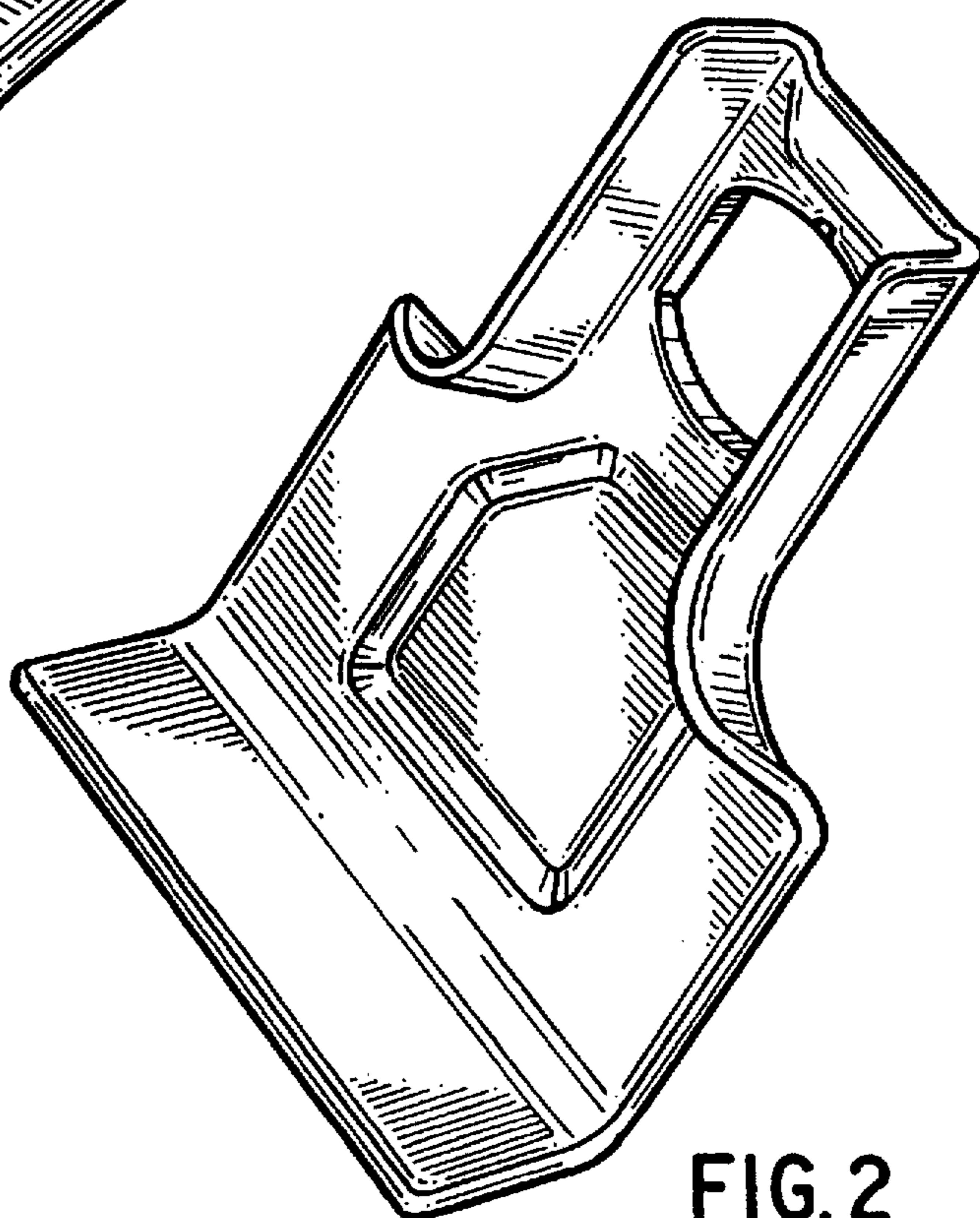


FIG. 2

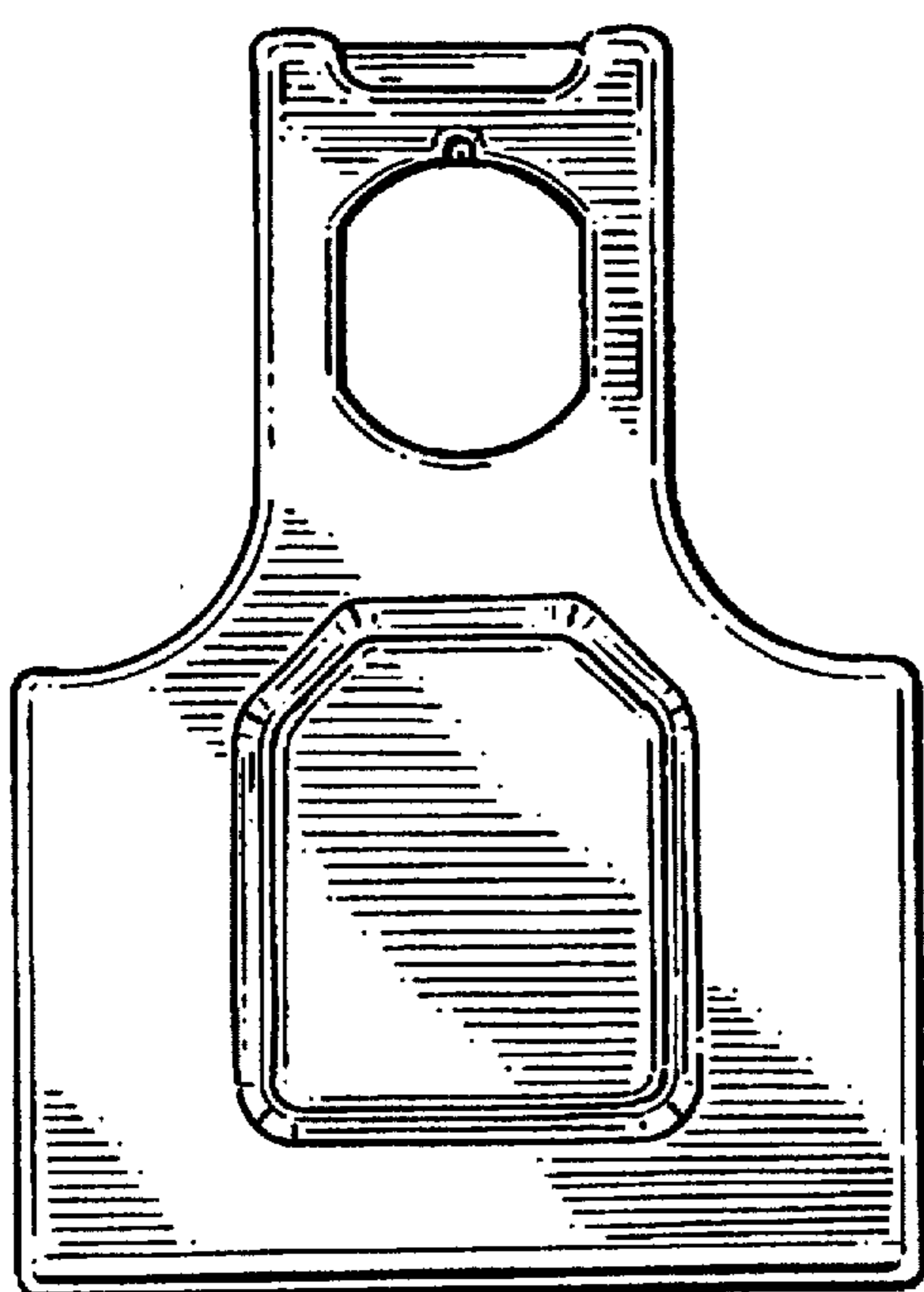


FIG. 3

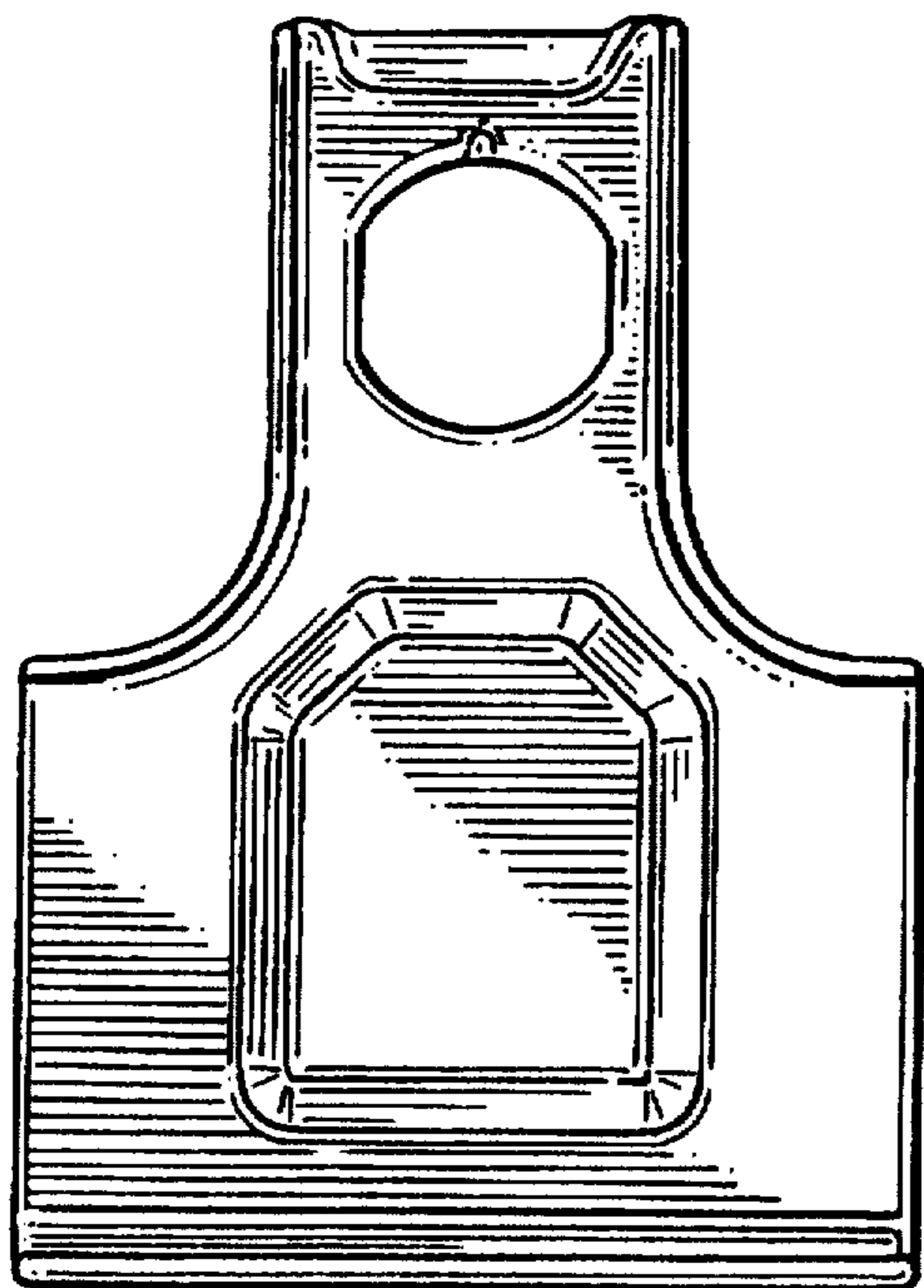


FIG. 4

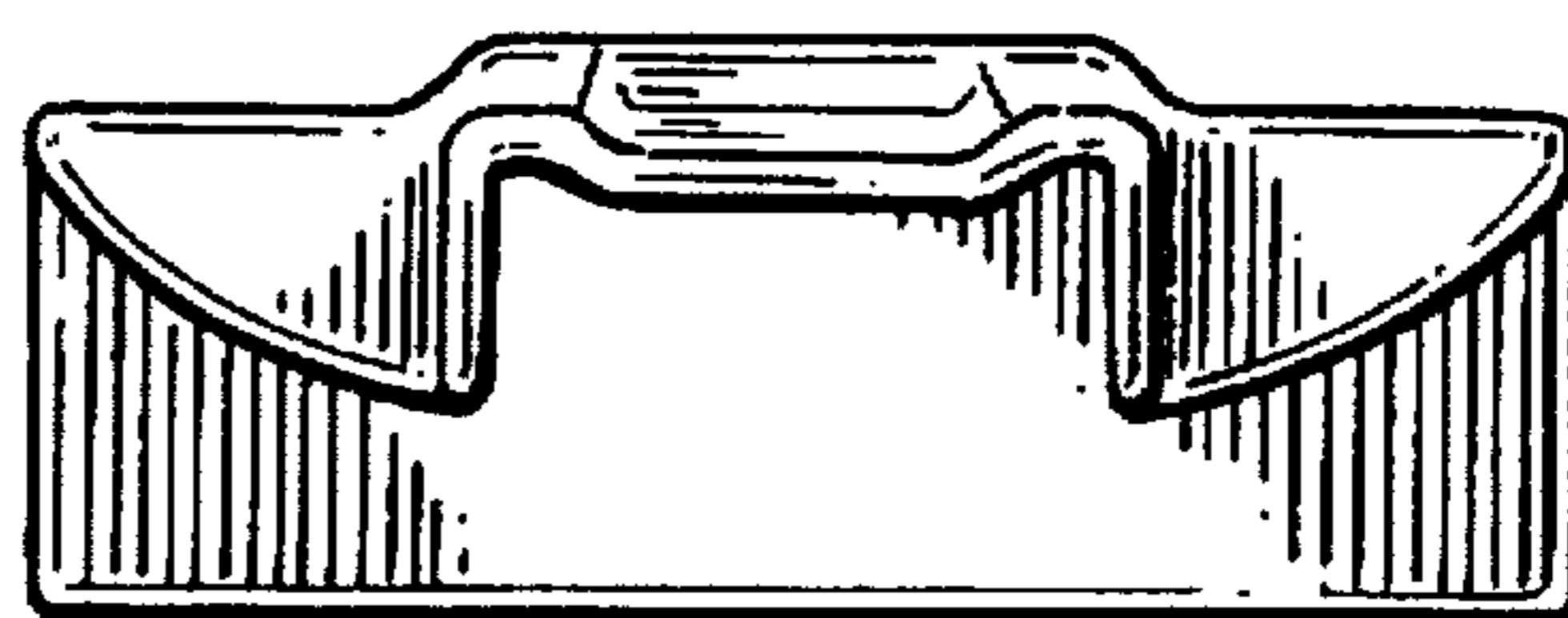


FIG. 5

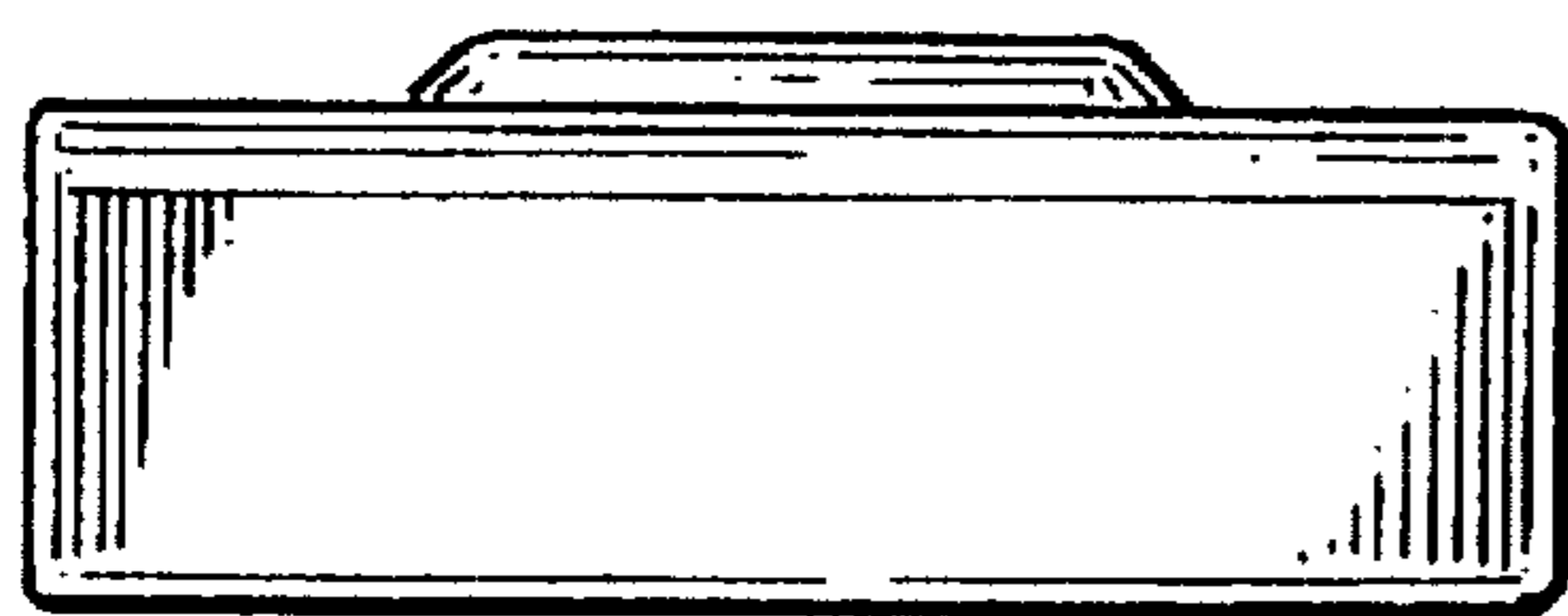


FIG. 6

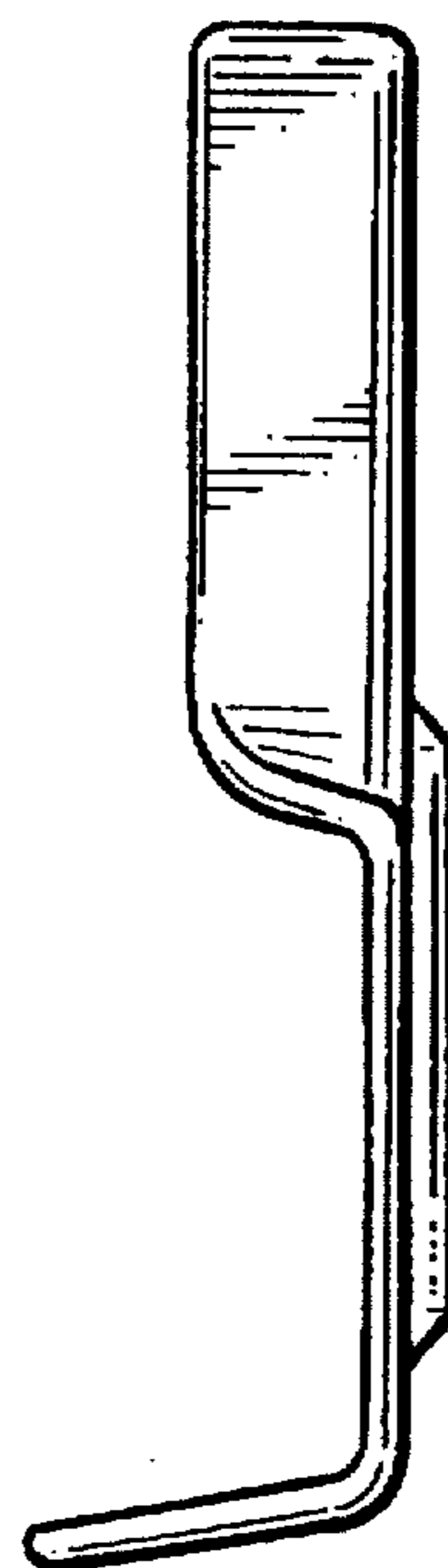


FIG. 7