



US00D395275S

United States Patent [19]

Brungardt et al.

[11] Patent Number: **Des. 395,275**

[45] Date of Patent: ****Jun. 16, 1998**

[54] **HITCH MOUNTABLE BICYCLE CARRIER WITH TAIL LIGHTS**

5,489,110 2/1996 Van Dusen 280/415.1
5,529,231 6/1996 Burgess 224/502

[75] Inventors: **Kervin Brungardt**, Plymouth; **Michael J. Cousino**, Wayne; **David A. Watch**, Canton, all of Mich.

OTHER PUBLICATIONS

J C Whitney & Co Catalog No. 578J p. 84, the Key Locking Hitch Mount Bike Carriers, ©1995.

[73] Assignee: **Draw-Tite, Inc.**, Canton, Mich.

Primary Examiner—Melody N. Brown
Attorney, Agent, or Firm—Leon E. Redman; Malcolm L. Sutherland

[**] Term: **14 Years**

[21] Appl. No.: **61,621**

[57] CLAIM

[22] Filed: **Oct. 28, 1996**

The ornamental design for a hitch mountable bicycle carrier with tail lights, as shown and described.

[51] LOC (6) Cl. **12-16**

DESCRIPTION

[52] U.S. Cl. **D12/408**

[58] Field of Search D12/408; 224/500-507, 224/515, 532-537, 917.5, 924; 280/415.1

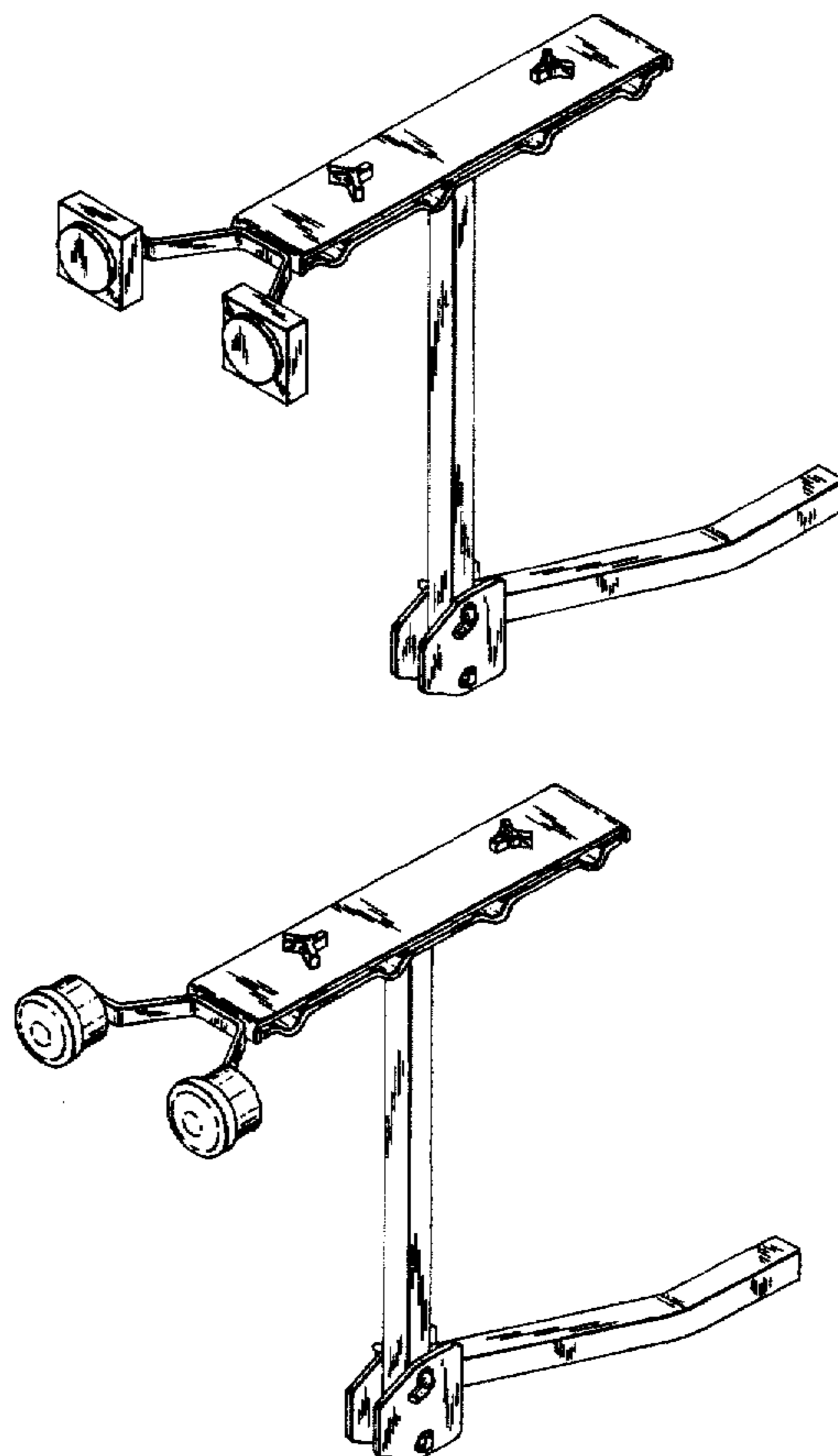
FIG. 1 is a perspective view of a hitch mountable bicycle carrier with tail lights showing our new design; FIG. 2 is a right side elevational view thereof; FIG. 3 is a left side elevational view thereof; FIG. 4 is a top plan view thereof; FIG. 5 is a bottom plan view thereof; FIG. 6 is a rear elevational view thereof; FIG. 7 is a front elevational view thereof; and, FIG. 8 is a perspective view of a second embodiment of a hitch mountable bicycle carrier with tail lights showing our new design having round tail lights, all other views of the design are substantially similar in appearance as in FIGS. 2-7.

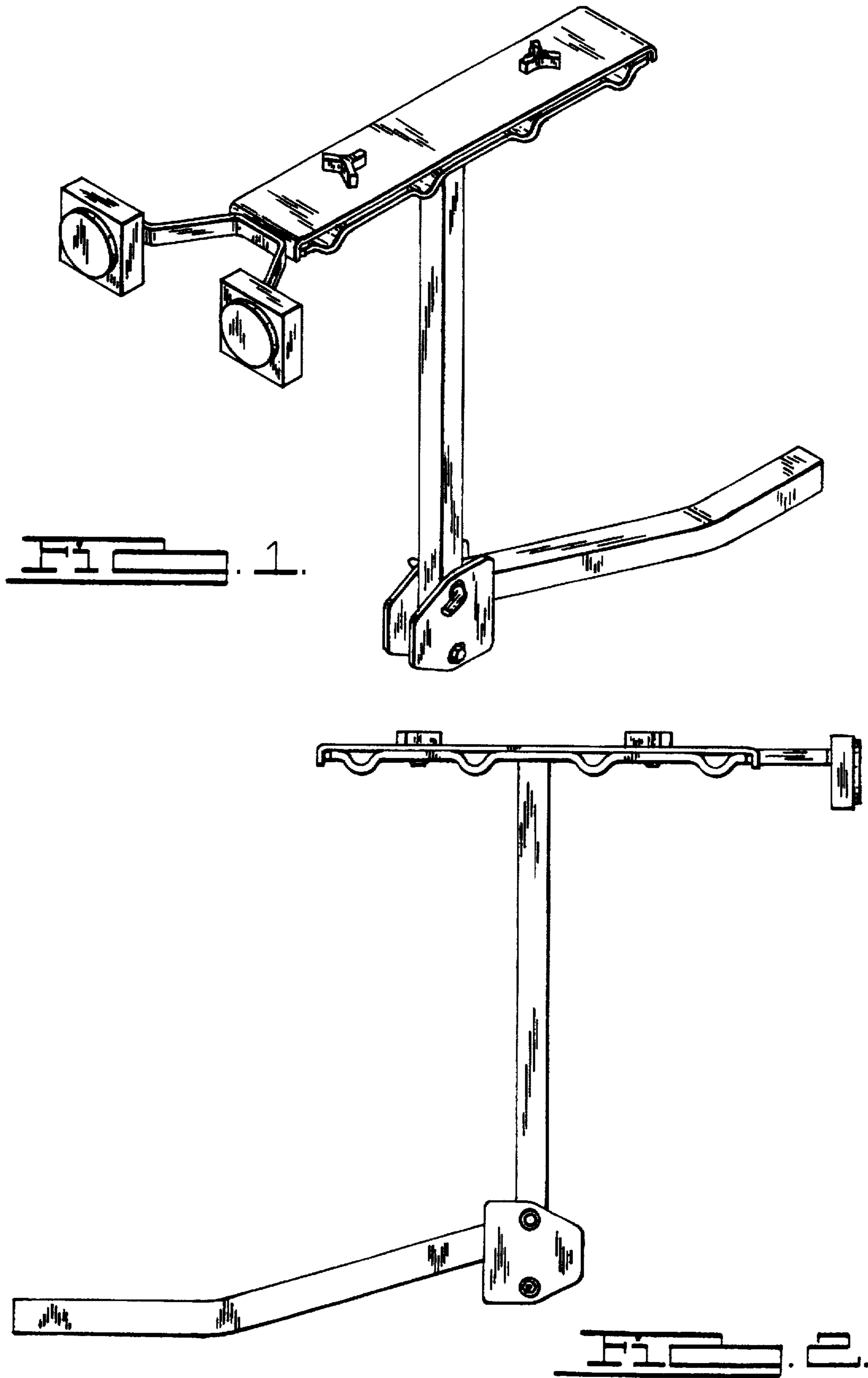
[56] References Cited

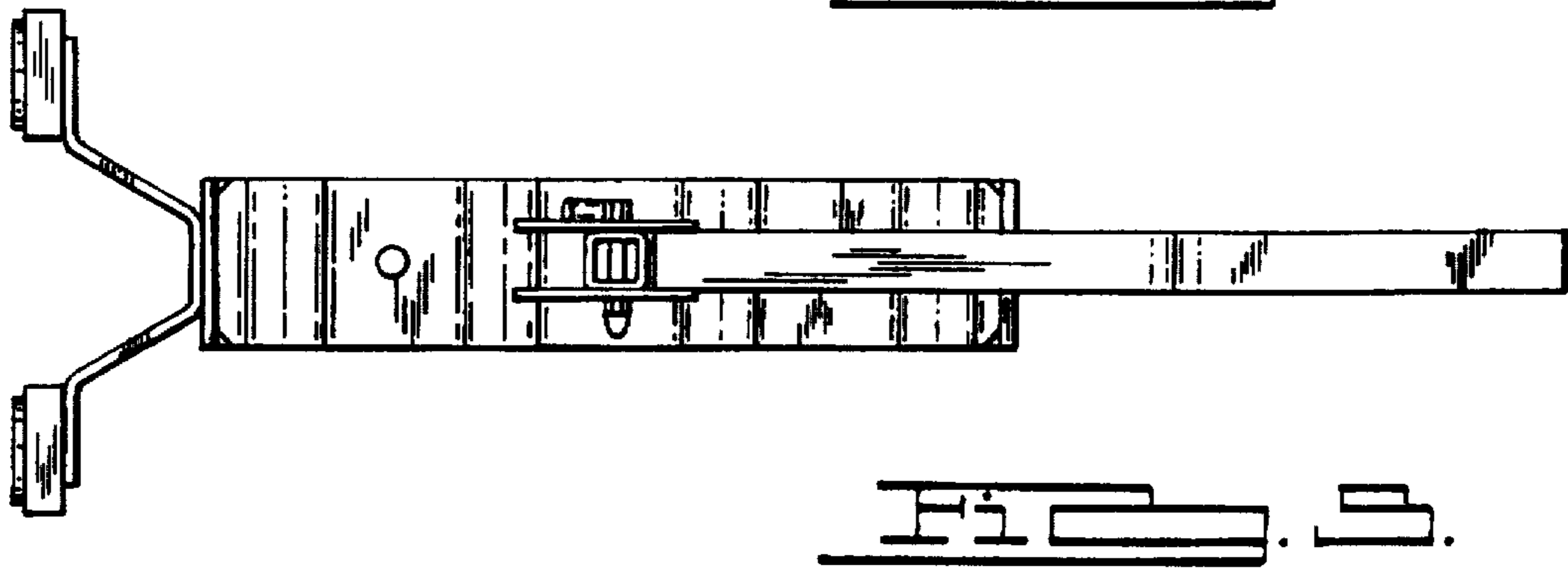
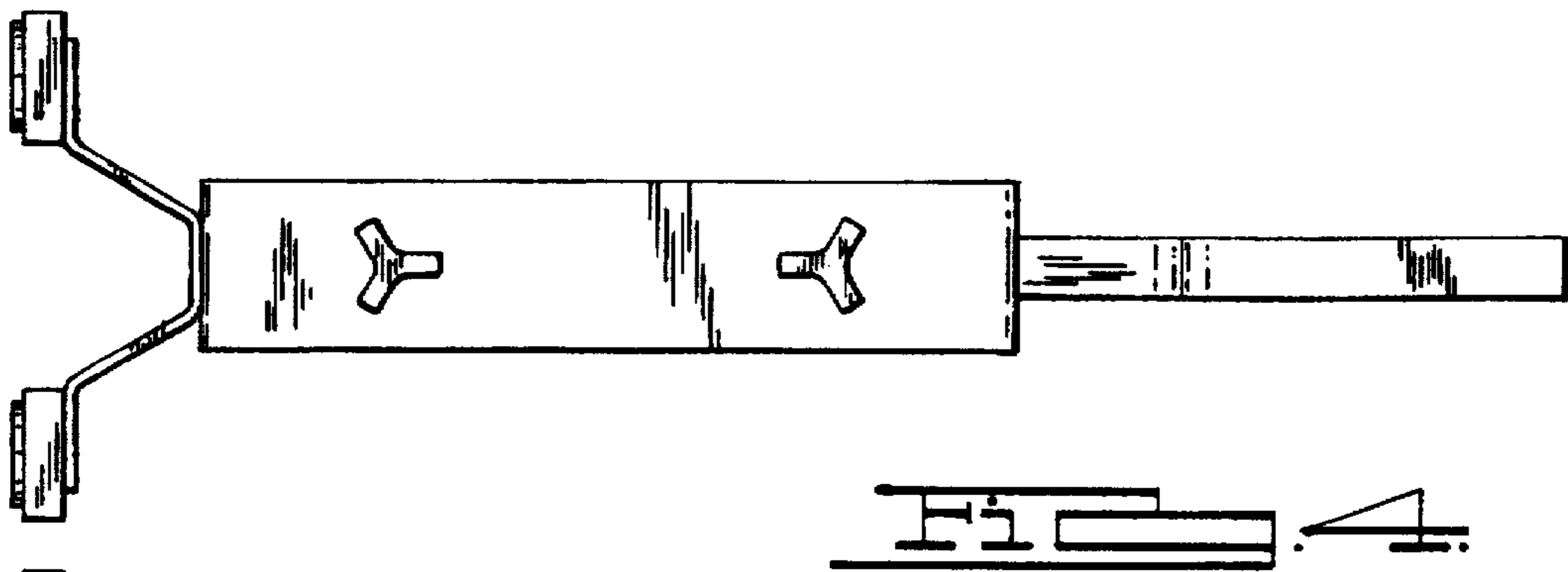
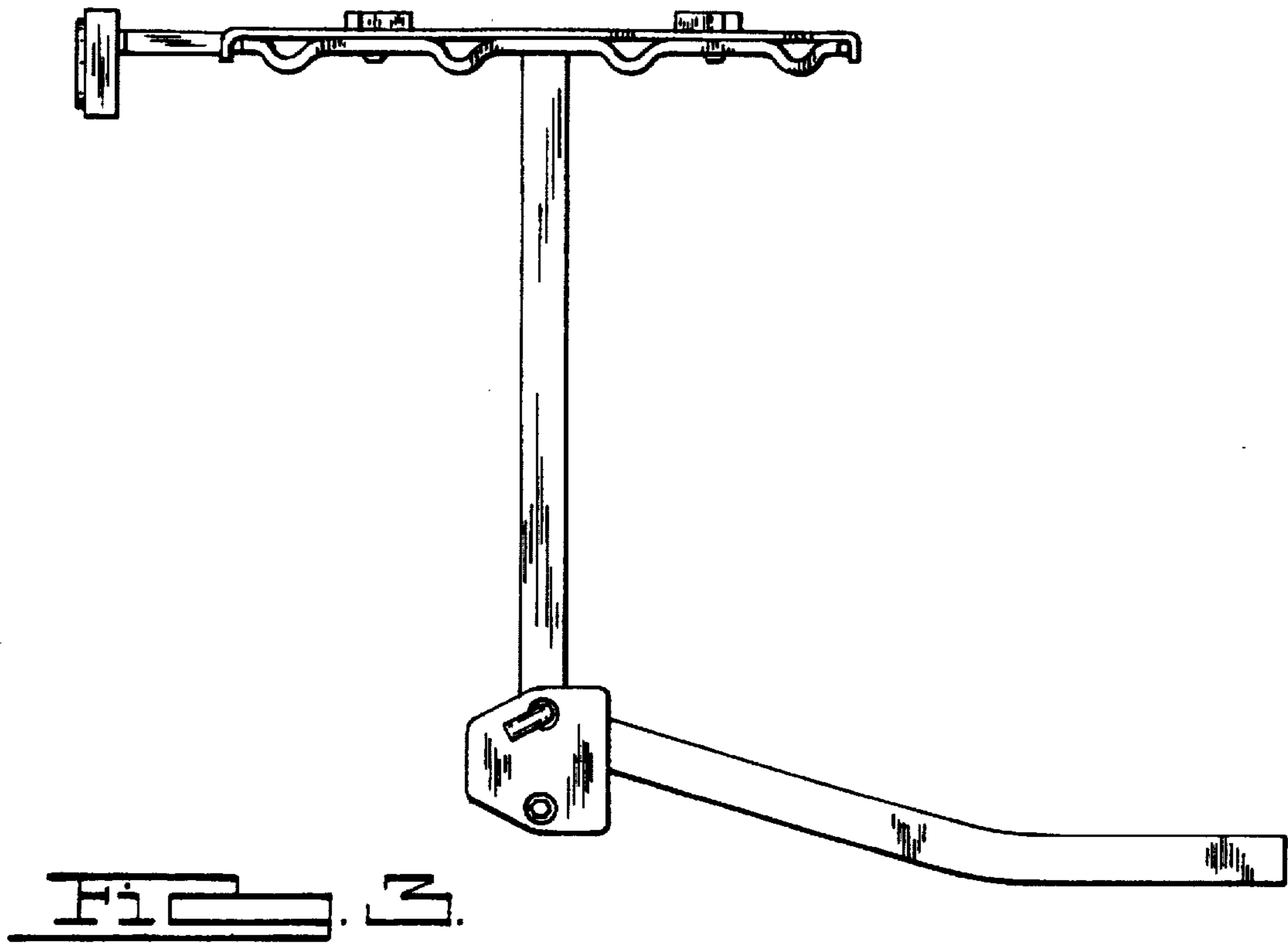
U.S. PATENT DOCUMENTS

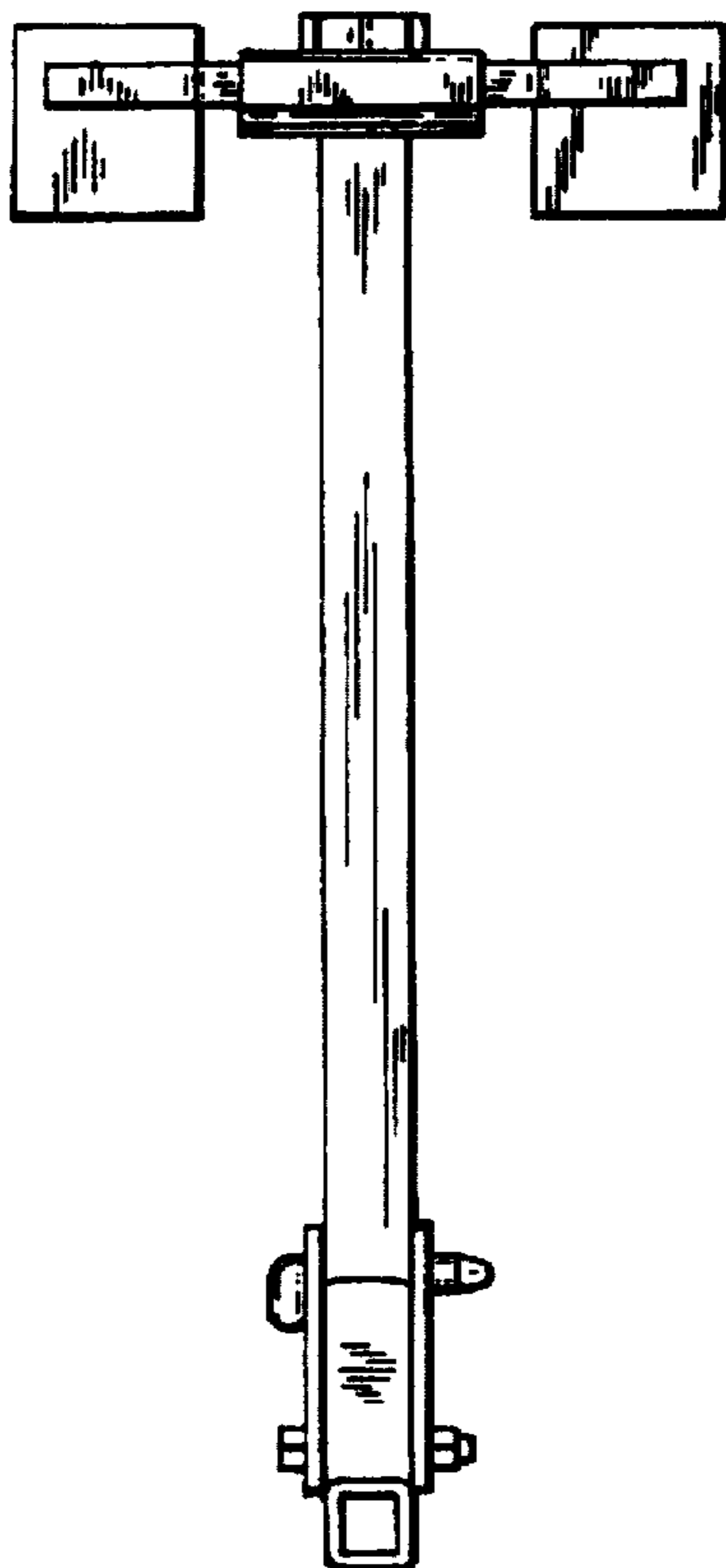
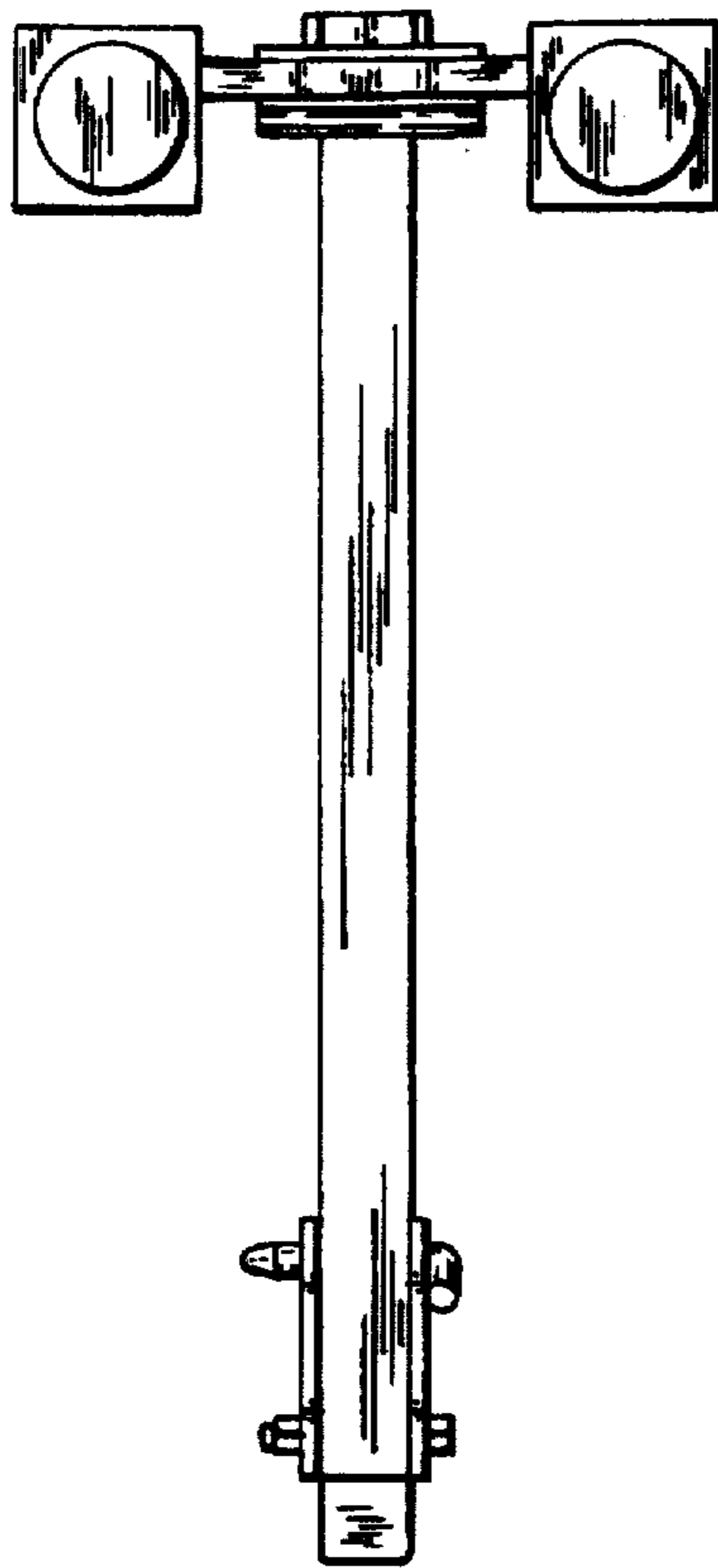
D. 369,585	5/1996	Gregory	D12/408
3,877,622	4/1975	McLain	224/501
4,072,257	2/1978	Hall	224/501
4,676,413	6/1987	Began et al.	224/501
4,676,414	6/1987	Deguevara	224/501
5,190,195	3/1993	Fullhart et al.	224/501
5,303,857	4/1994	Hewson	224/506
5,330,084	7/1994	Peters	224/507
5,443,189	8/1995	Hirschfeld	224/501
5,449,101	9/1995	Van Dusen	224/506

1 Claim, 4 Drawing Sheets









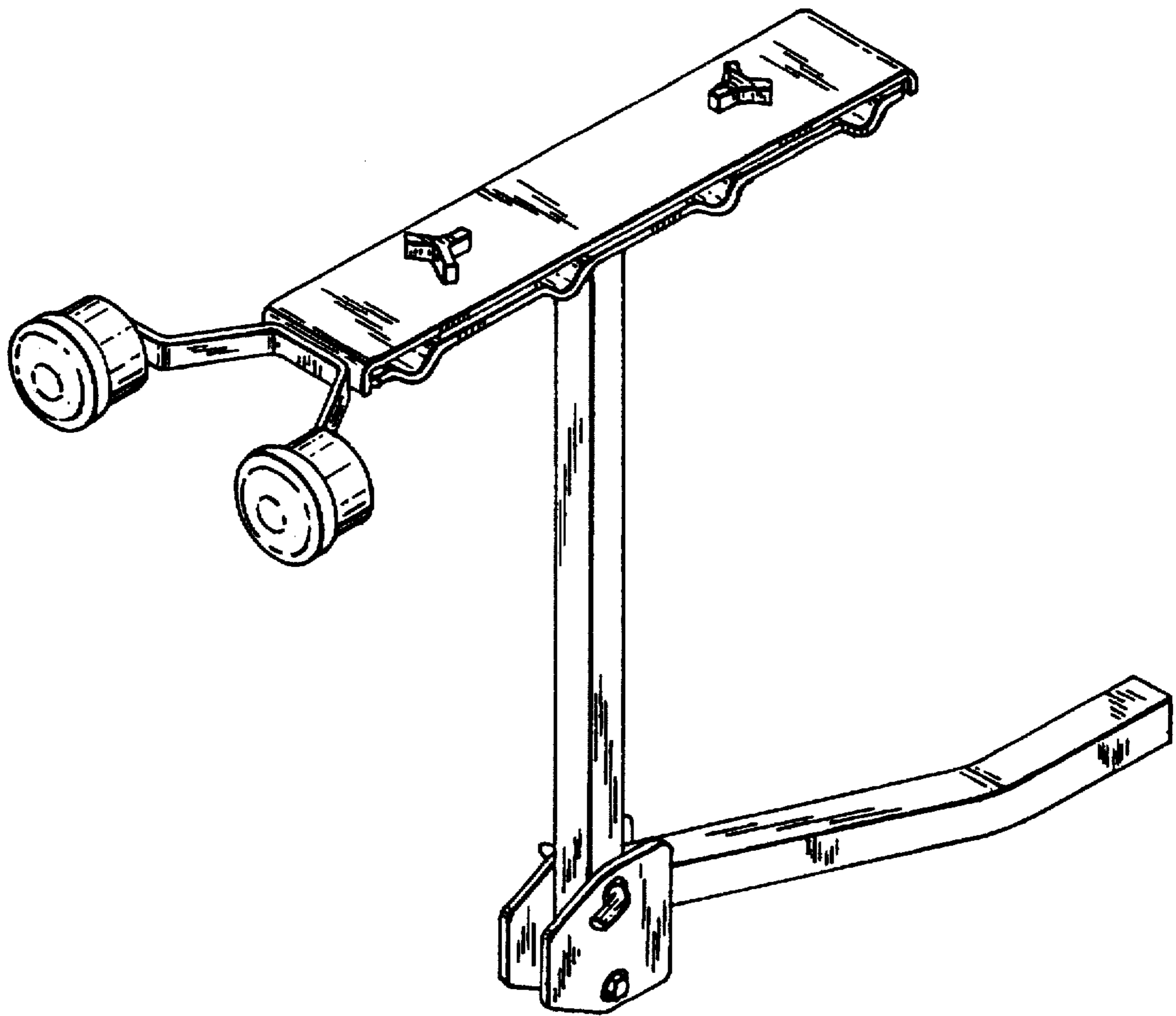


FIG. 1.