



US00D395272S

United States Patent [19]
Battley et al.

[11] **Patent Number: Des. 395,272**

[45] **Date of Patent: **Jun. 16, 1998**

[54] **ROWING SKIFF**

D. 299,021 12/1988 Hand D12/317
4,411,214 10/1983 Horiuchi 114/347

[75] **Inventors: Mark Andrew Battley; Stephen Lawrence Marten, both of Auckland, New Zealand**

FOREIGN PATENT DOCUMENTS

2099773 12/1982 United Kingdom 114/347

[73] **Assignees: Marten Marine Industries Limited; Industrial Research Limited, both of Auckland, New Zealand**

Primary Examiner—Kay H. Chin
Attorney, Agent, or Firm—Christenson O'Connor Johnson & Kindness PLLC

[**] **Term: 14 Years**

[57] **CLAIM**

[21] **Appl. No.: 40,631**

The ornamental design for a rowing skiff, as shown and described.

[22] **Filed: Jun. 22, 1995**

[30] **Foreign Application Priority Data**

DESCRIPTION

Dec. 22, 1994 [NZ] New Zealand 26391

FIG. 1 is a perspective view of a rowing skiff showing our new design;

[51] **LOC (6) Cl. 12-06**

FIG. 2 is a top plan view thereof;

[52] **U.S. Cl. D12/302; D12/317**

FIG. 3 is a front elevation view thereof;

[58] **Field of Search D12/317, 302, D12/300; 114/347, 363**

FIG. 4 is a rear elevation view thereof;

FIG. 5 is a right side elevation view thereof; and,

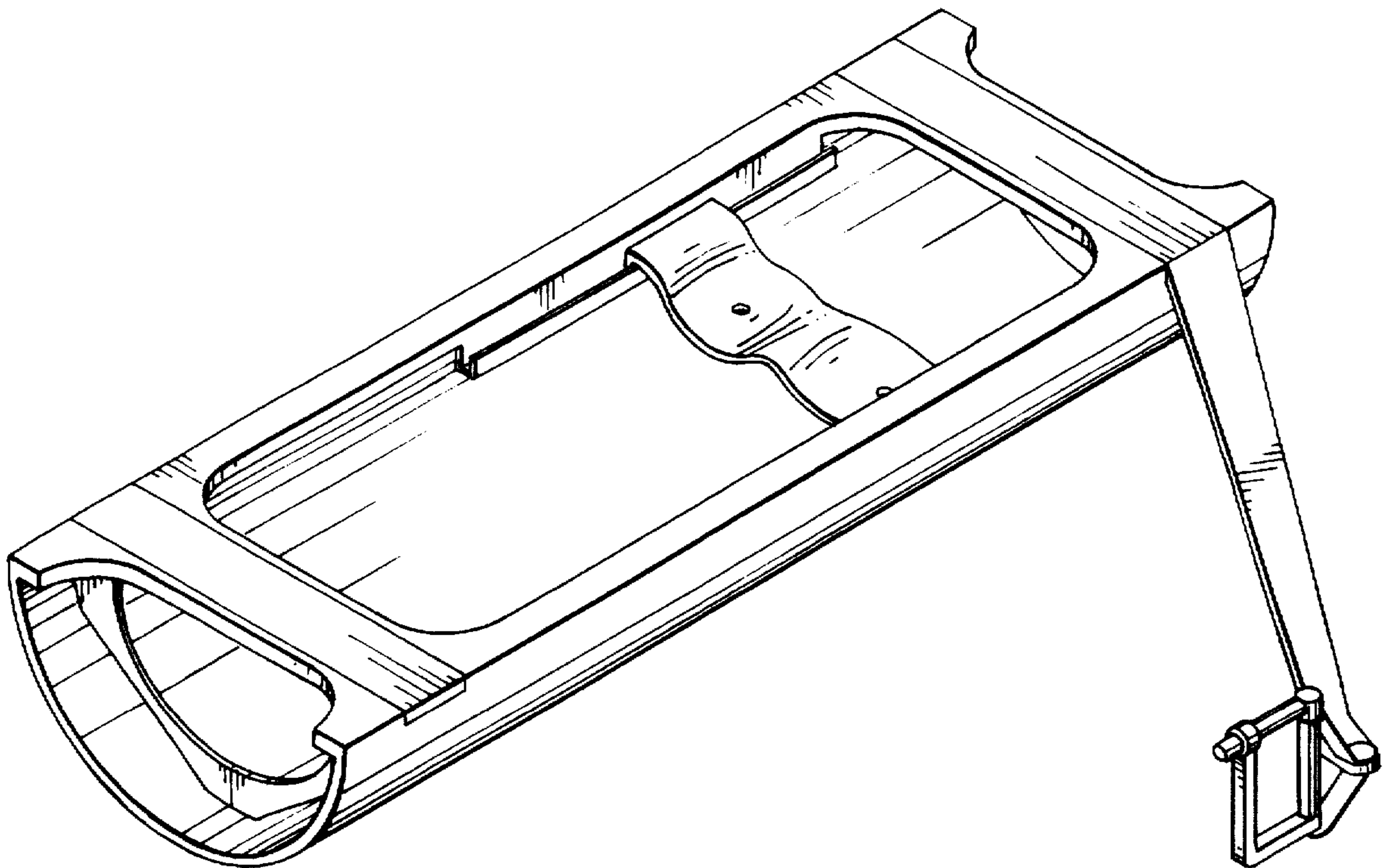
FIG. 6 is a left side elevation view thereof.

[56] **References Cited**

U.S. PATENT DOCUMENTS

D. 216,489 1/1970 Forsen D12/317

1 Claim, 3 Drawing Sheets



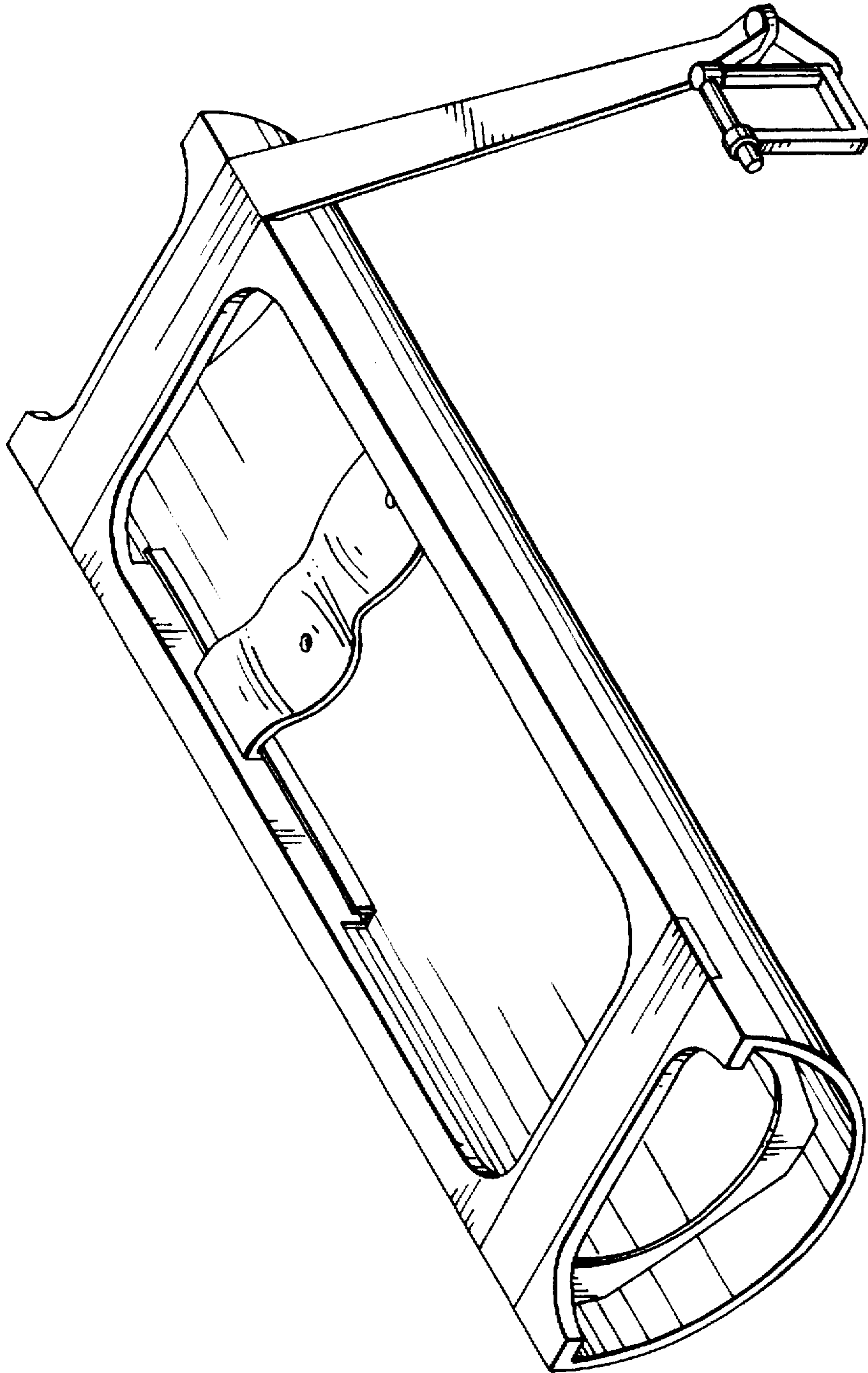
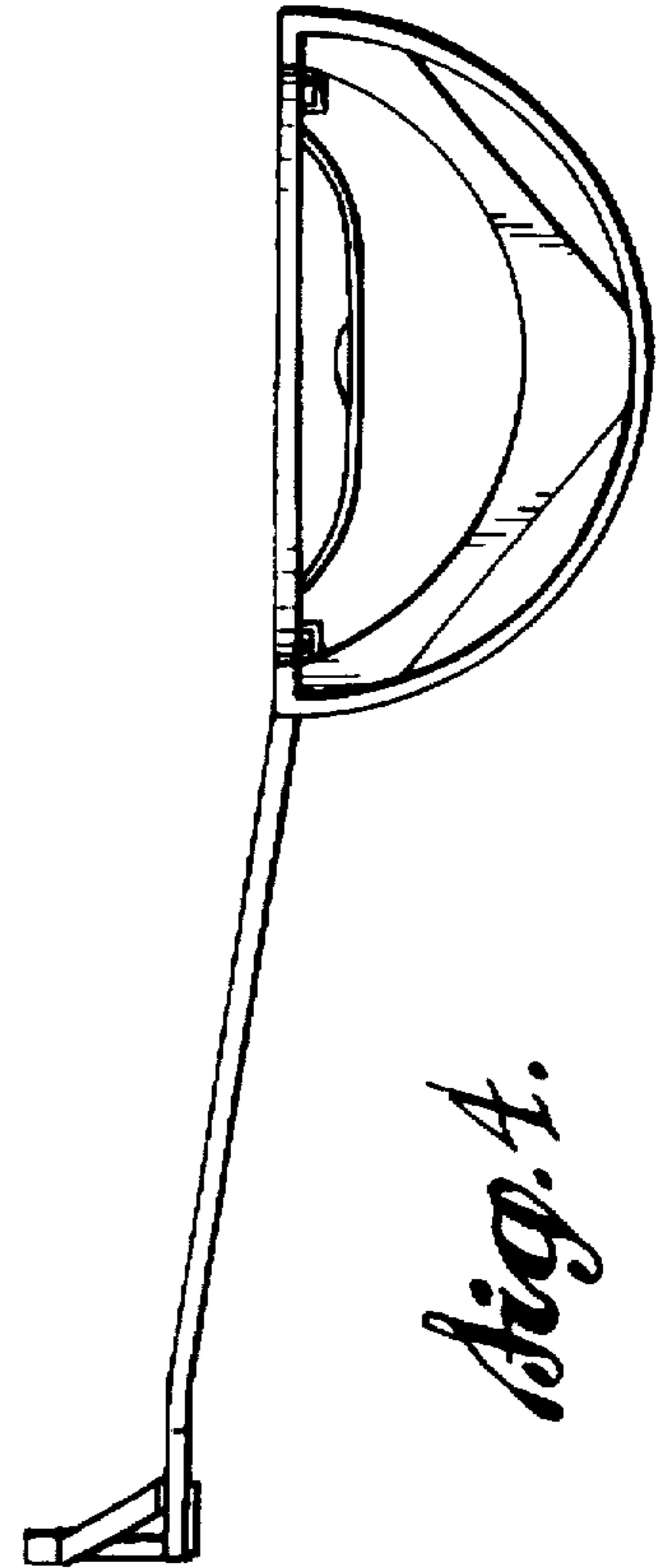
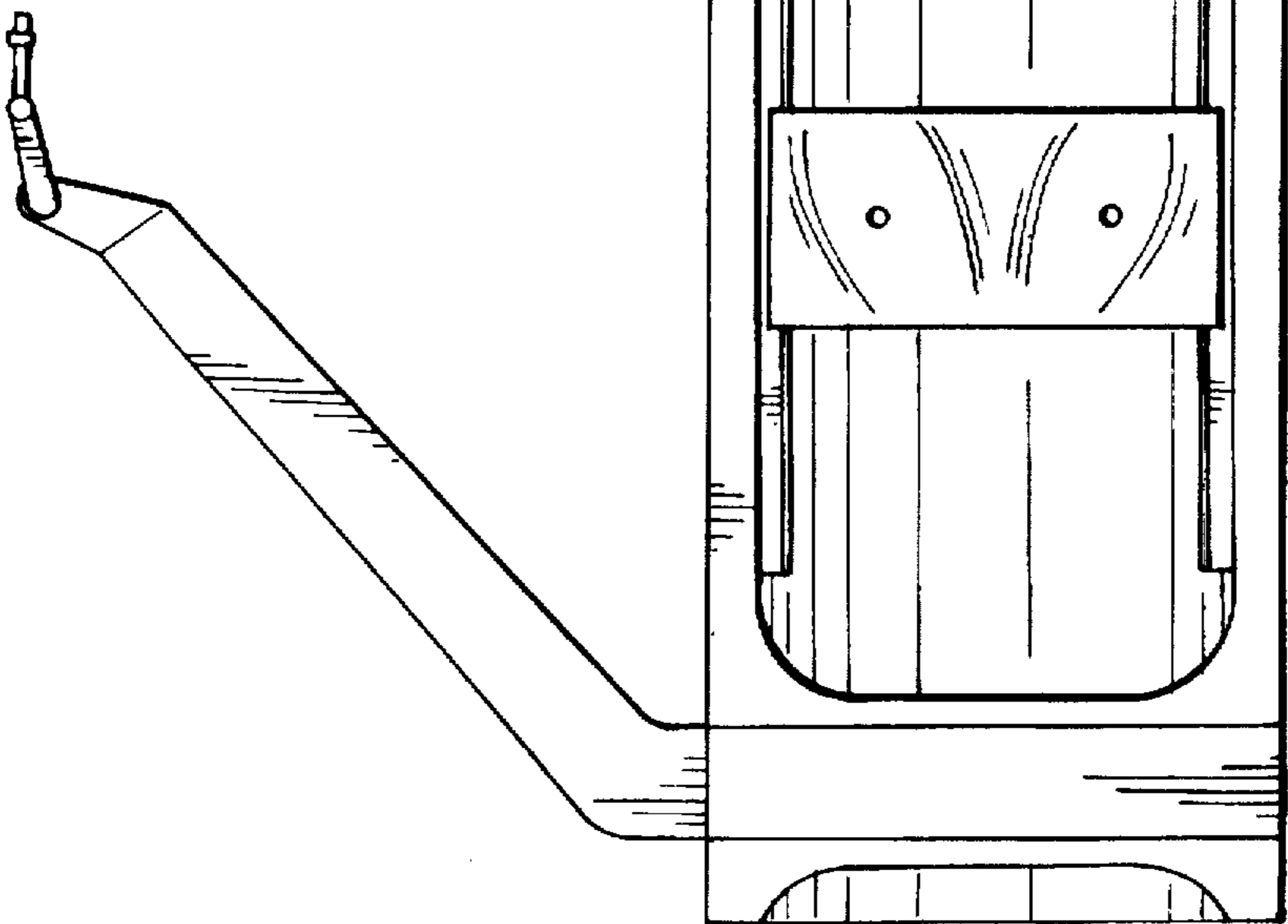
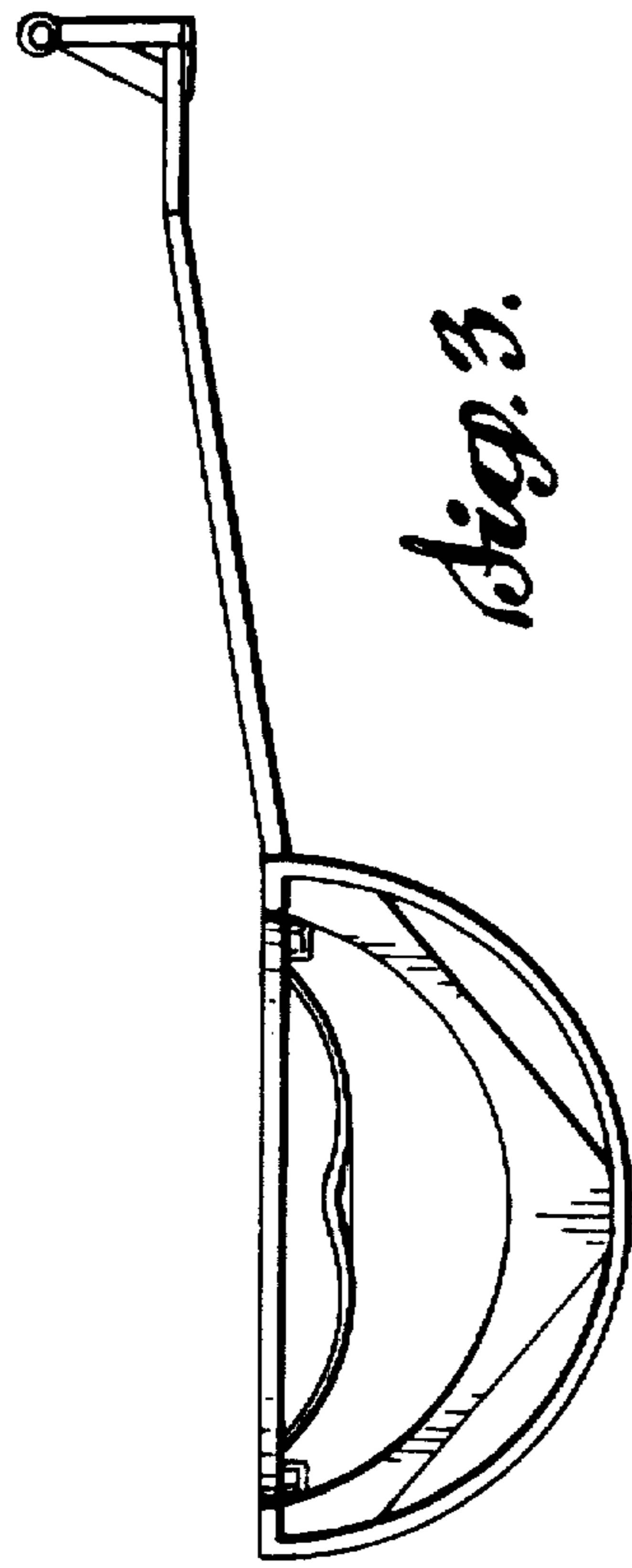


Fig. 1.



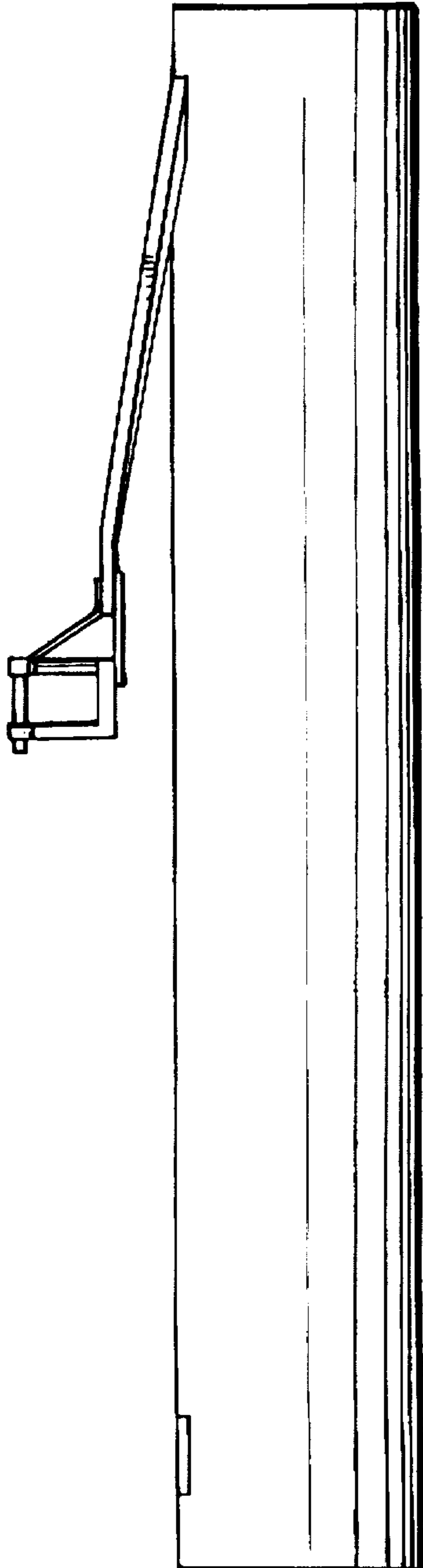


Fig. 5.

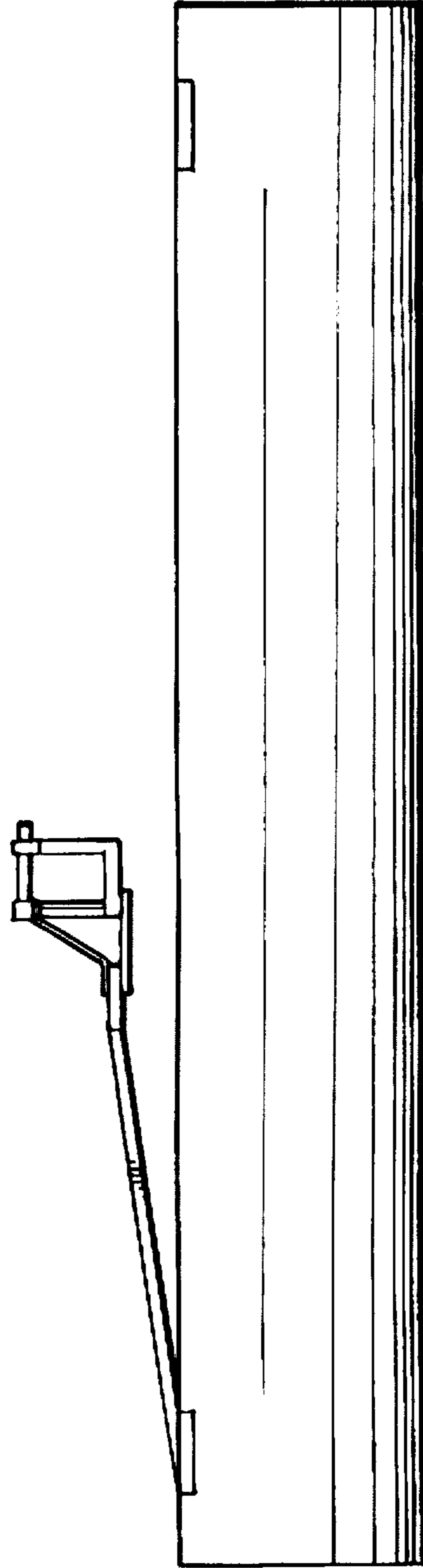


Fig. 6.