



US00D395266S

United States Patent [19]
Phillips

[11] **Patent Number: Des. 395,266**

[45] **Date of Patent: **Jun. 16, 1998**

[54] **SAFETY BACKUP MIRROR**

[76] **Inventor: Edward J. Phillips, 915 E. 68th,
Kansas City, Mo. 64131**

[**] **Term: 14 Years**

[21] **Appl. No.: 67,454**

[22] **Filed: Mar. 7, 1997**

[51] **LOC (6) Cl. 12-16**

[52] **U.S. Cl. D12/189**

[58] **Field of Search D12/187, 188,
D12/189; 359/629, 838, 841, 842, 844-846,
850, 854-855, 864-866, 868, 871-873,
875, 879, 880, 881, 848; 248/74.3, 302-303,
475.1, 475 R, 479-480, 485-487, 476;
D8/370**

[56] **References Cited**

U.S. PATENT DOCUMENTS

D. 117,072 10/1939 Morley D12/187

D. 119,239 2/1940 Fischer D12/188
D. 259,716 6/1981 Watanabe D12/189
2,552,074 5/1951 Thompson 248/480
2,663,224 12/1953 Younglove 359/865

*Primary Examiner—Ralf Seifert
Attorney, Agent, or Firm—Chase & Yakimo*

[57] **CLAIM**

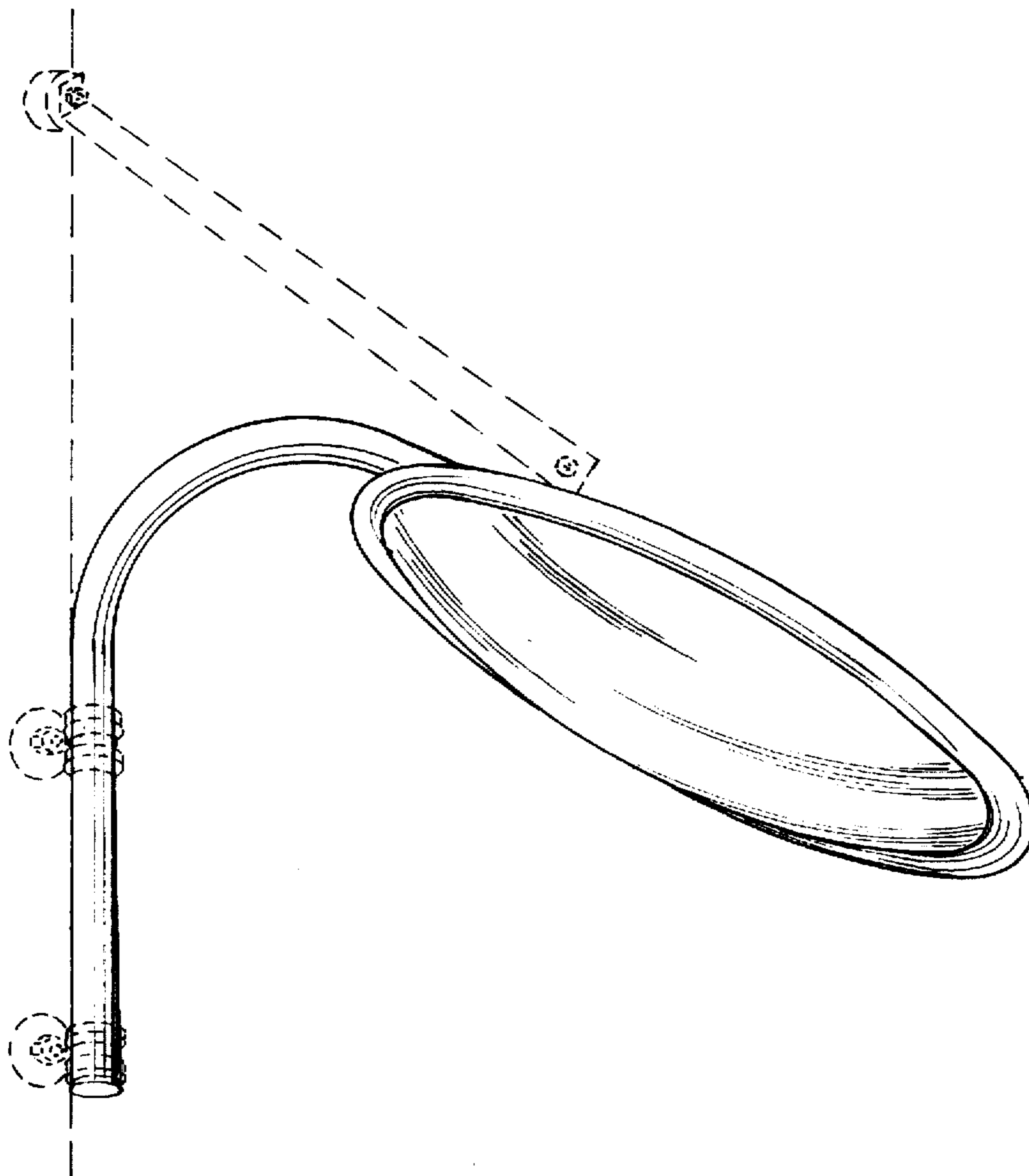
The ornamental design for a safety backup mirror, as shown and described.

DESCRIPTION

FIG. 1 is a perspective view of a safety backup mirror showing my new design;
FIG. 2 is a front elevational view;
FIG. 3 is a top plan view;
FIG. 4 is an end elevational view; and,
FIG. 5 is a bottom plan view.

The broken line showing of support elements, in FIG. 1, is for illustrative purposes only and form no part of the claimed design.

1 Claim, 1 Drawing Sheet



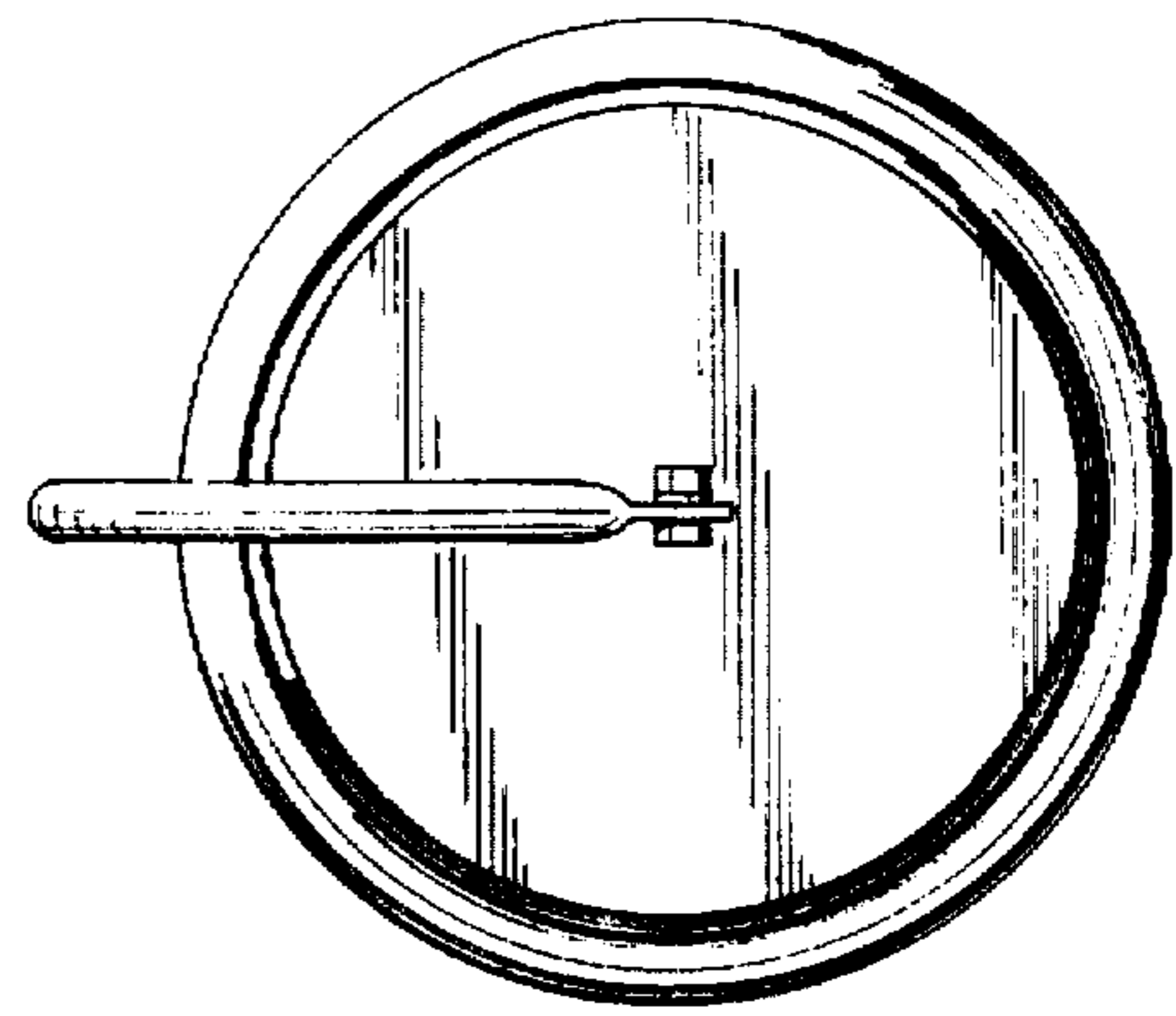
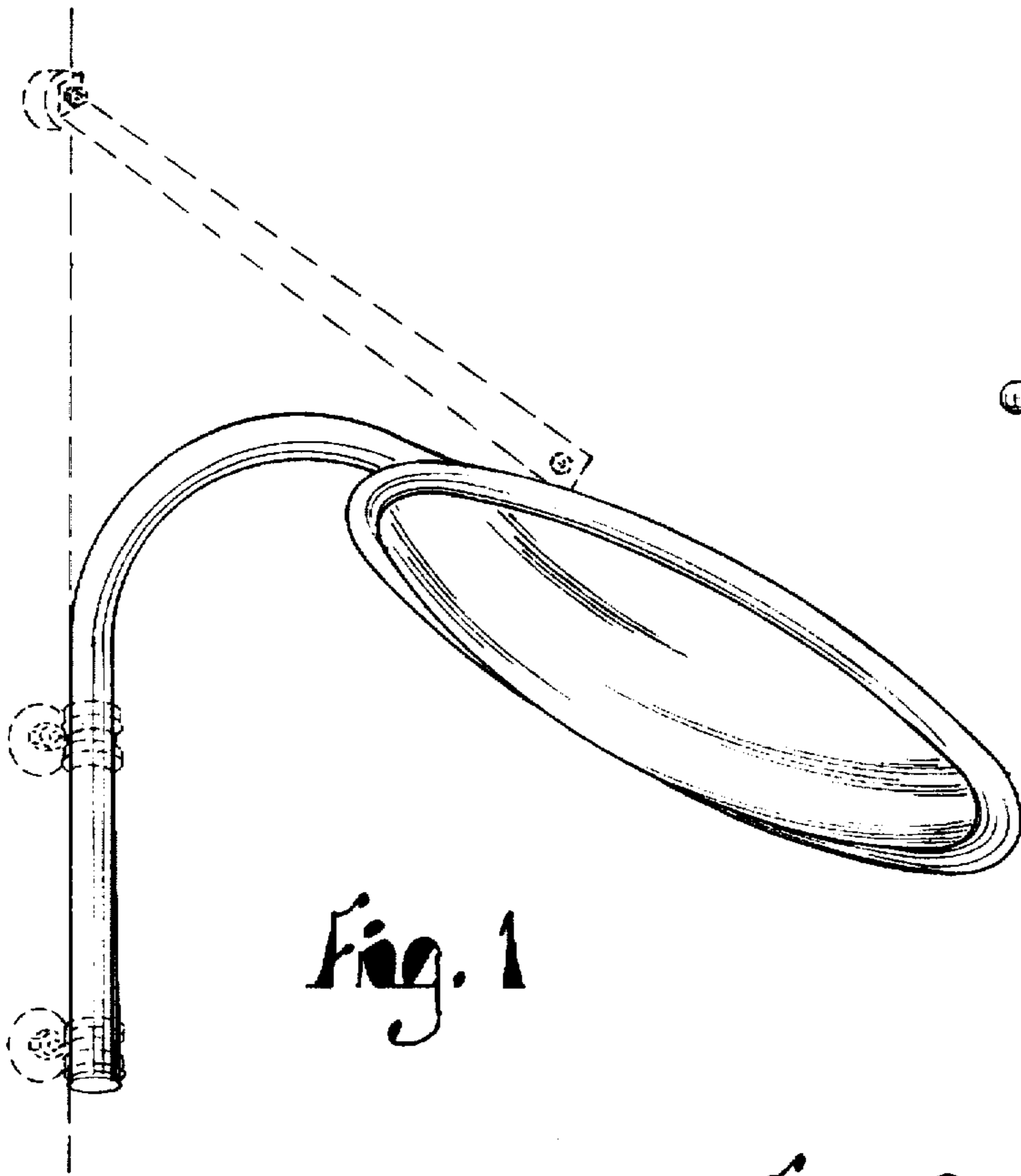


Fig. 3

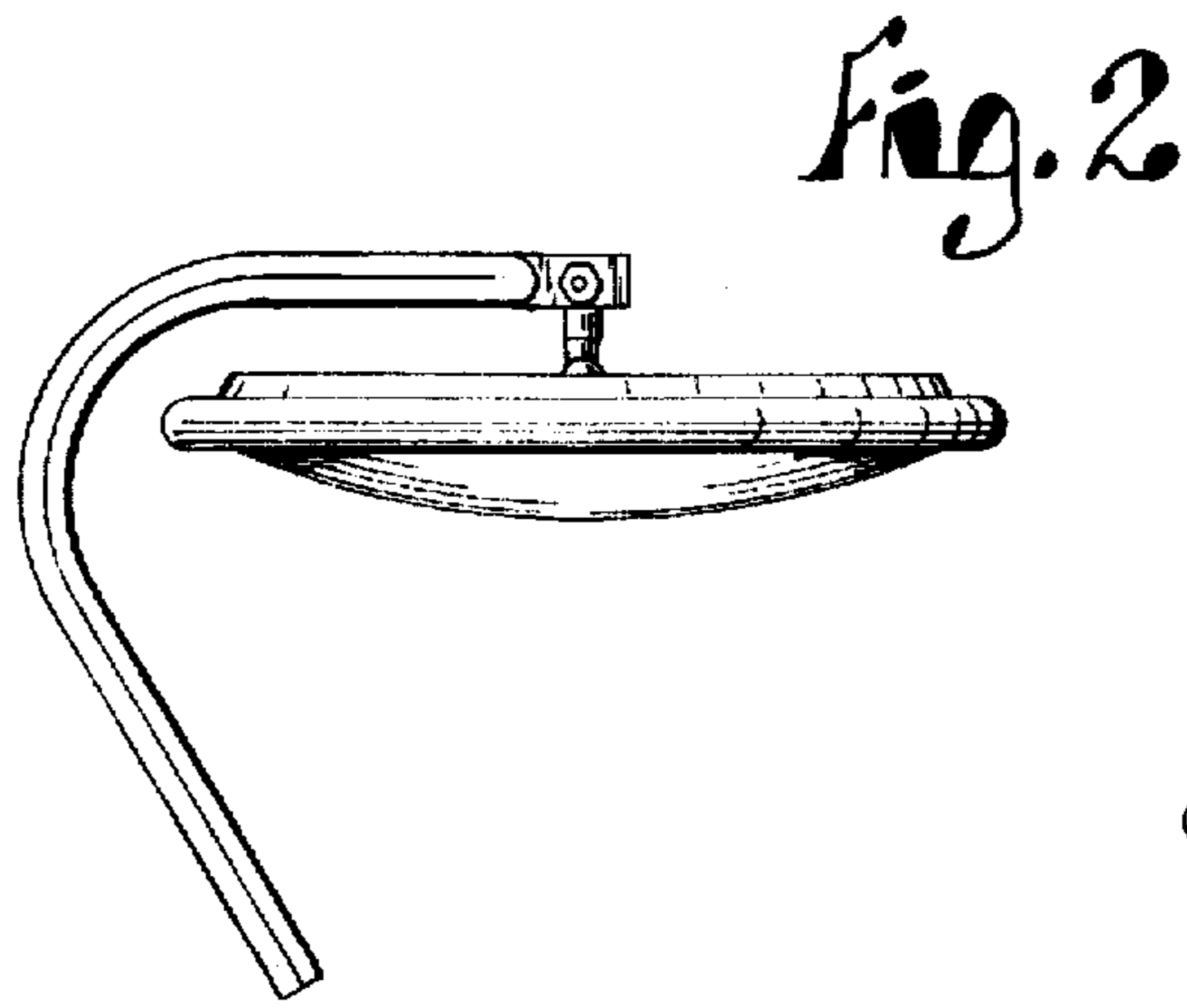


Fig. 4

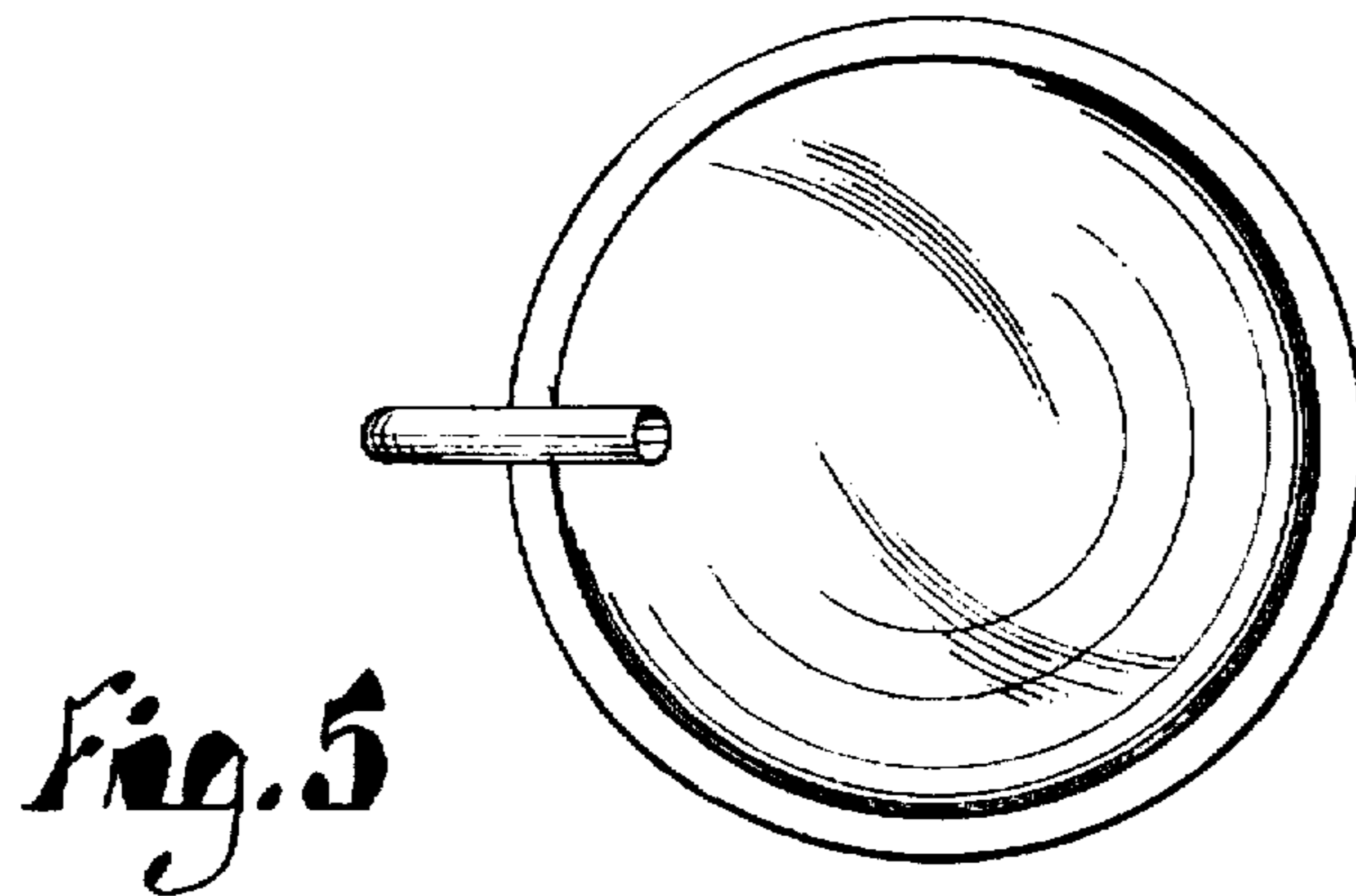
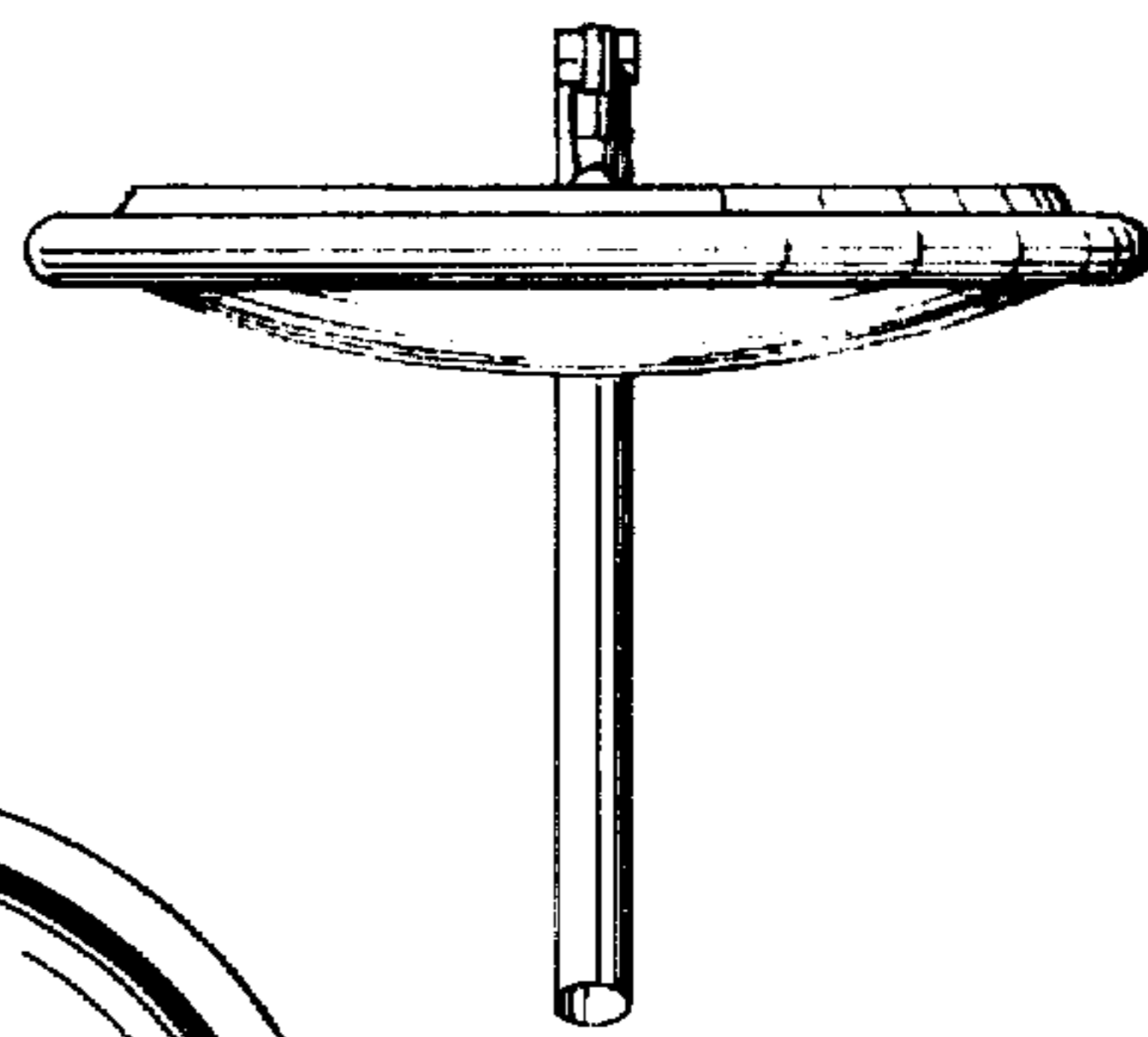


Fig. 5