



US00D395263S

United States Patent [19]

[11] Patent Number: **Des. 395,263**

Ponce

[45] Date of Patent: ****Jun. 16, 1998**

[54] **STRAP FOR WHEELCHAIR FOOTREST**

5,401,045 3/1995 Foerster et al. 297/466 X

[76] Inventor: **Carlos Ponce**, c/o Beatriz Hernandez,
4734 S. Wood St., First Lower Rear,
Chicago, Ill. 60609

Primary Examiner—Kay H. Chin
Attorney, Agent, or Firm—Harold H. Dutton, Jr.

[**] Term: **14 Years**

[57] **CLAIM**

The ornamental design for a strap for wheelchair footrest, as shown and described.

[21] Appl. No.: **54,909**

DESCRIPTION

[22] Filed: **May 24, 1996**

[51] LOC (6) Cl. **12-12**

FIG. 1 is a perspective view of a strap for wheelchair footrest in engaged form showing my new design;

[52] U.S. Cl. **D12/133**

FIG. 2 is a front view in extended form thereof;

[58] Field of Search D12/128, 131,
D12/133; 280/250.1, 647; 297/DIG. 4,

FIG. 3 is a rear view thereof;

466, 423.1, 423.17

FIG. 4 is a top view thereof;

FIG. 5 is a bottom view thereof;

[56] **References Cited**

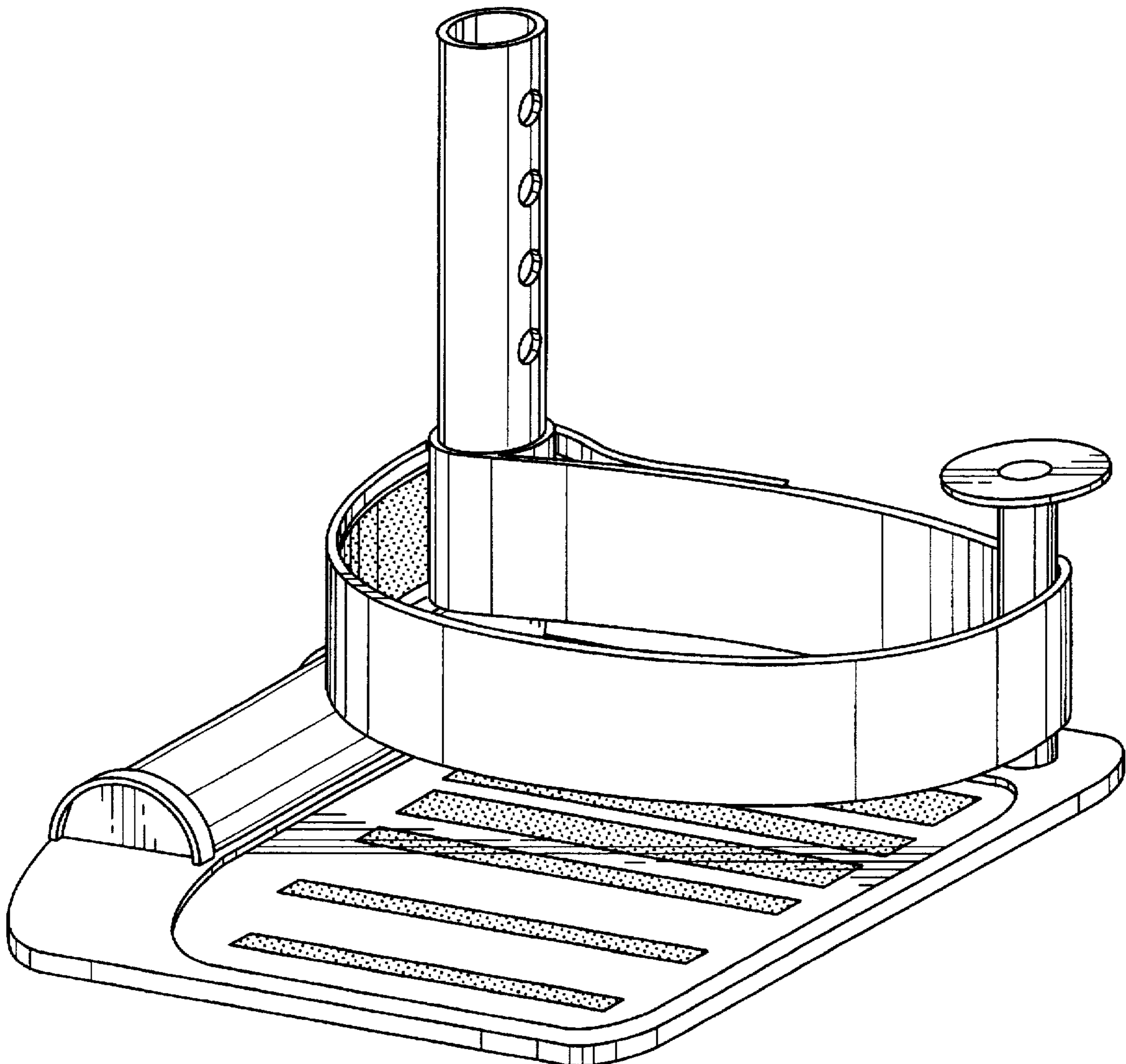
FIG. 6 is a right side view in engaged form thereof; and,

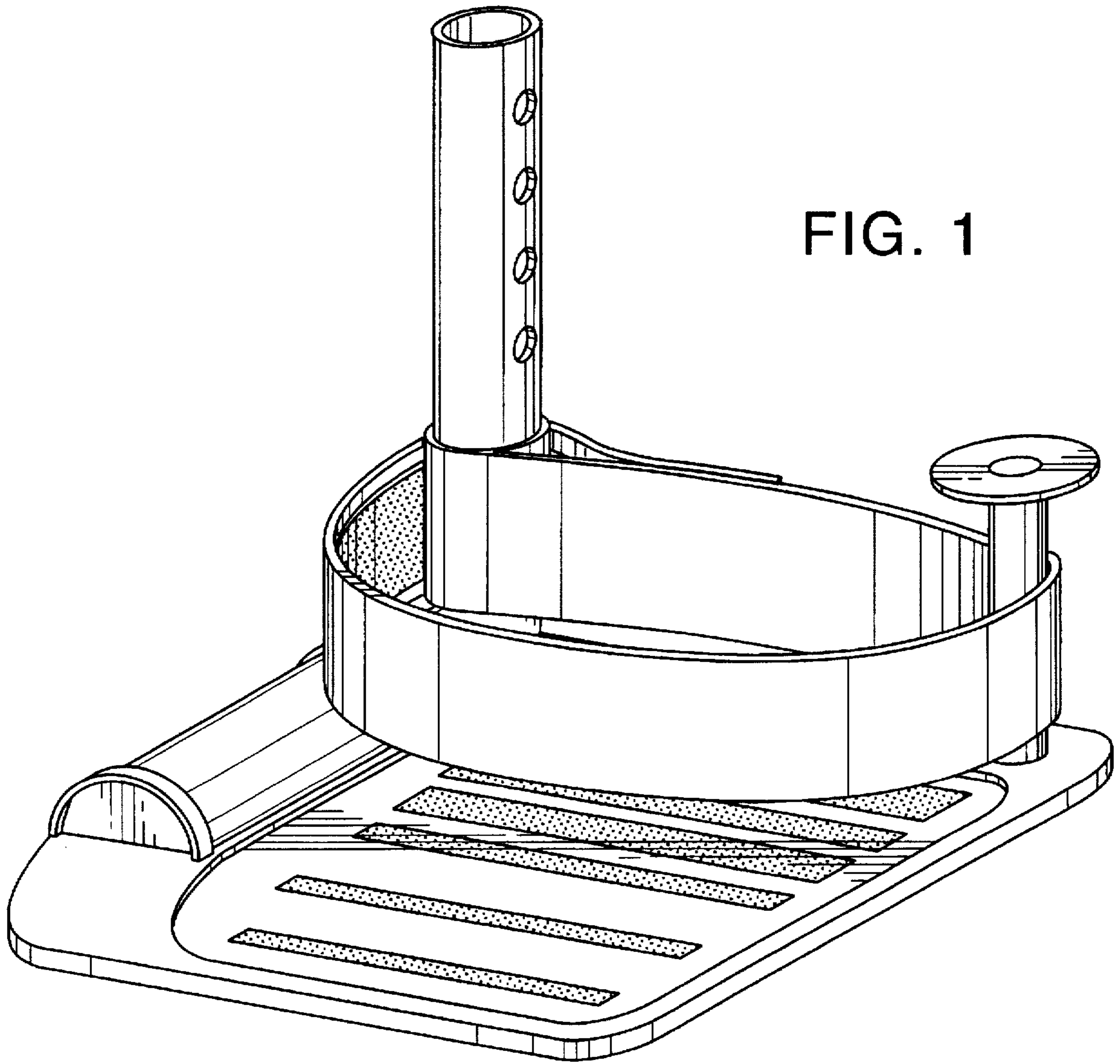
FIG. 7 is a left side view thereof.

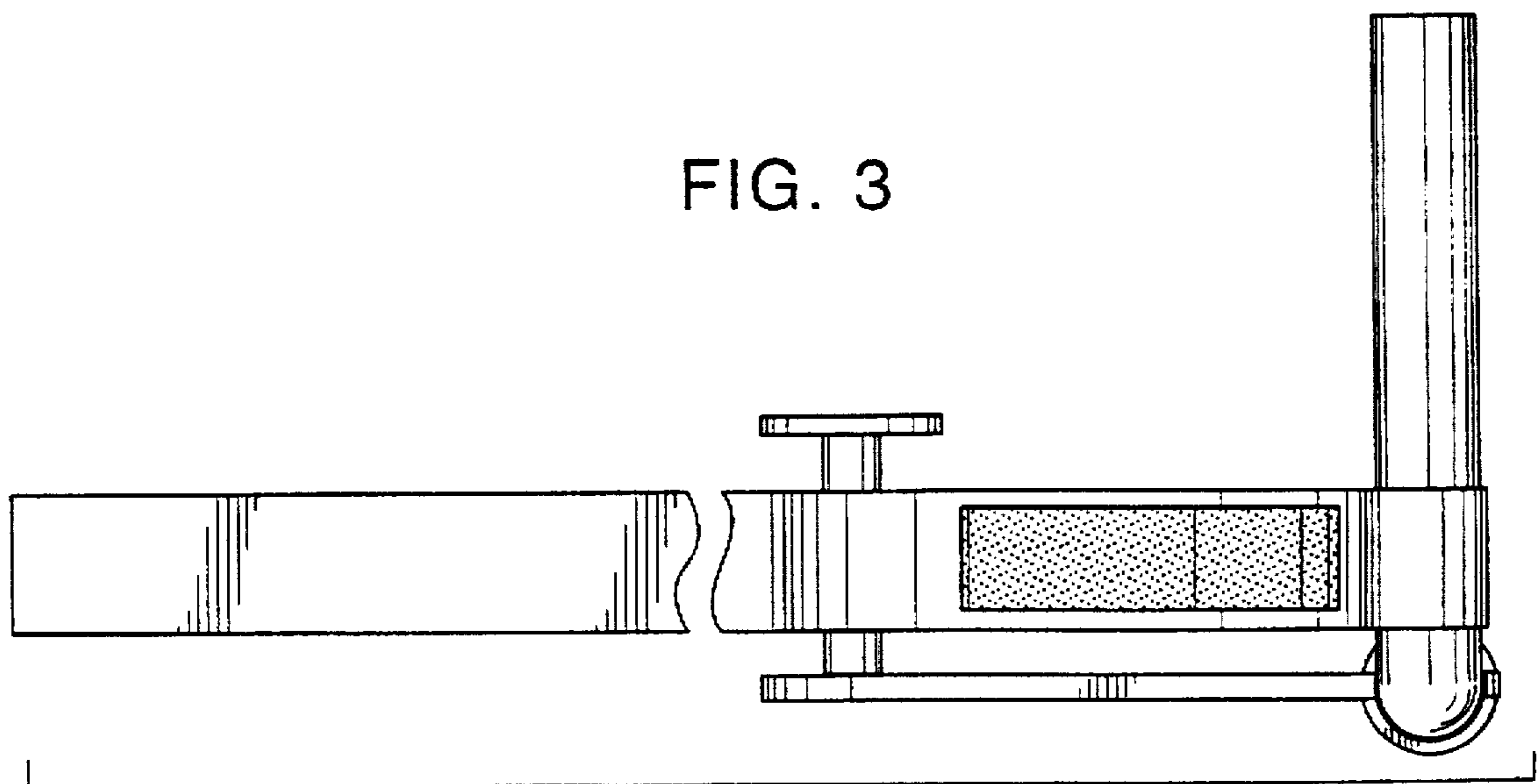
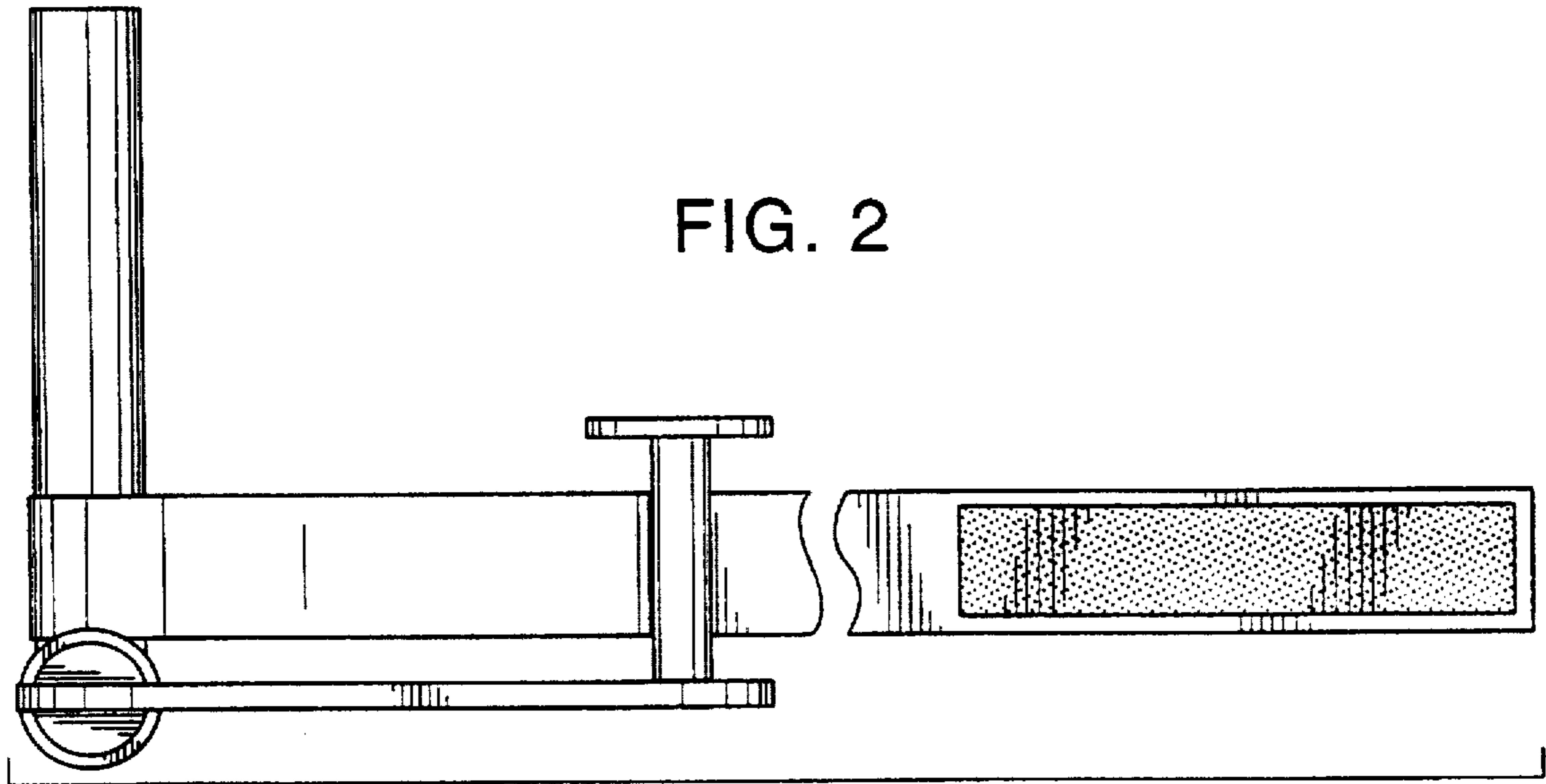
U.S. PATENT DOCUMENTS

D. 315,539 3/1991 Okamoto D12/131

1 Claim, 4 Drawing Sheets







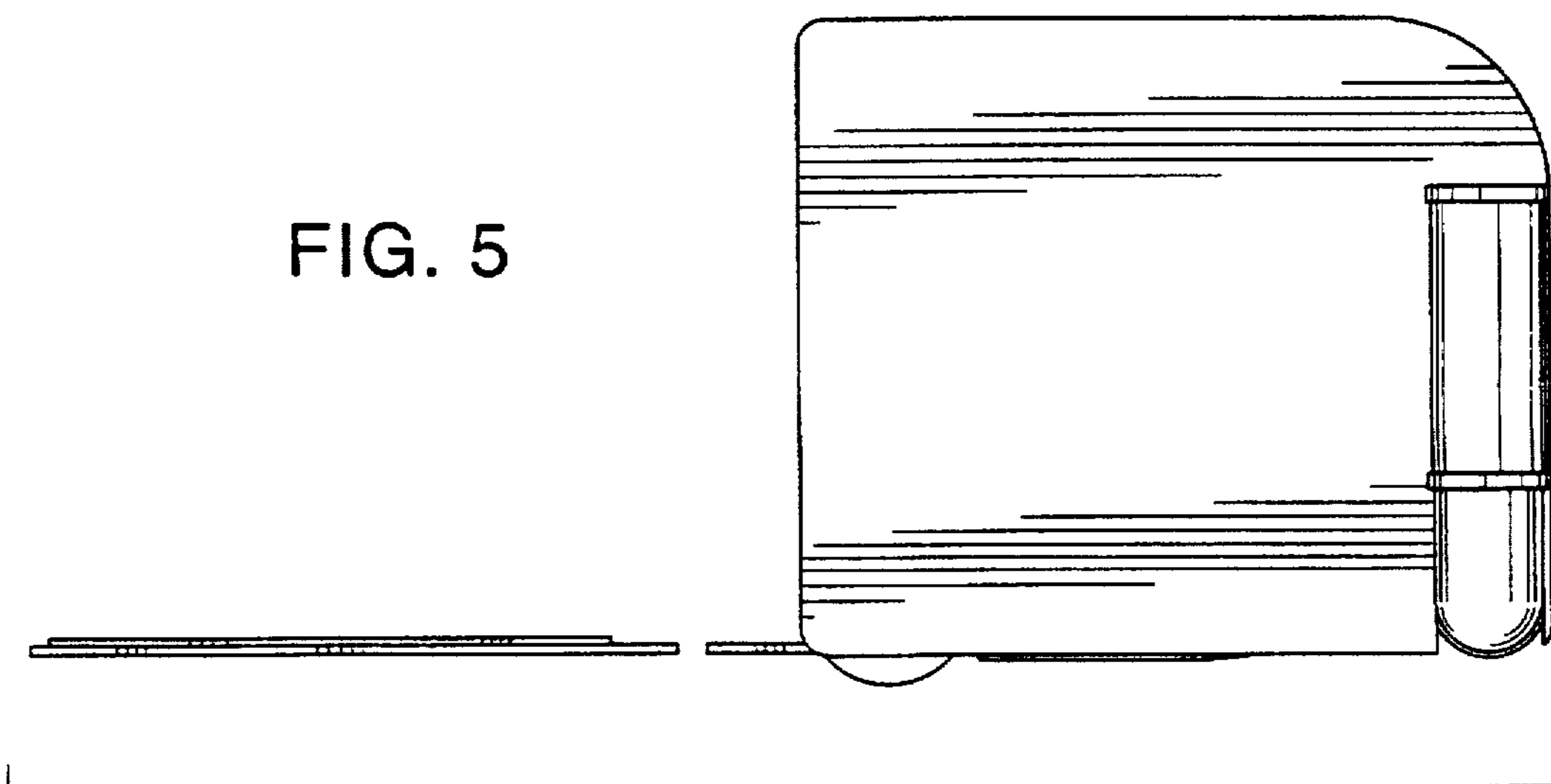
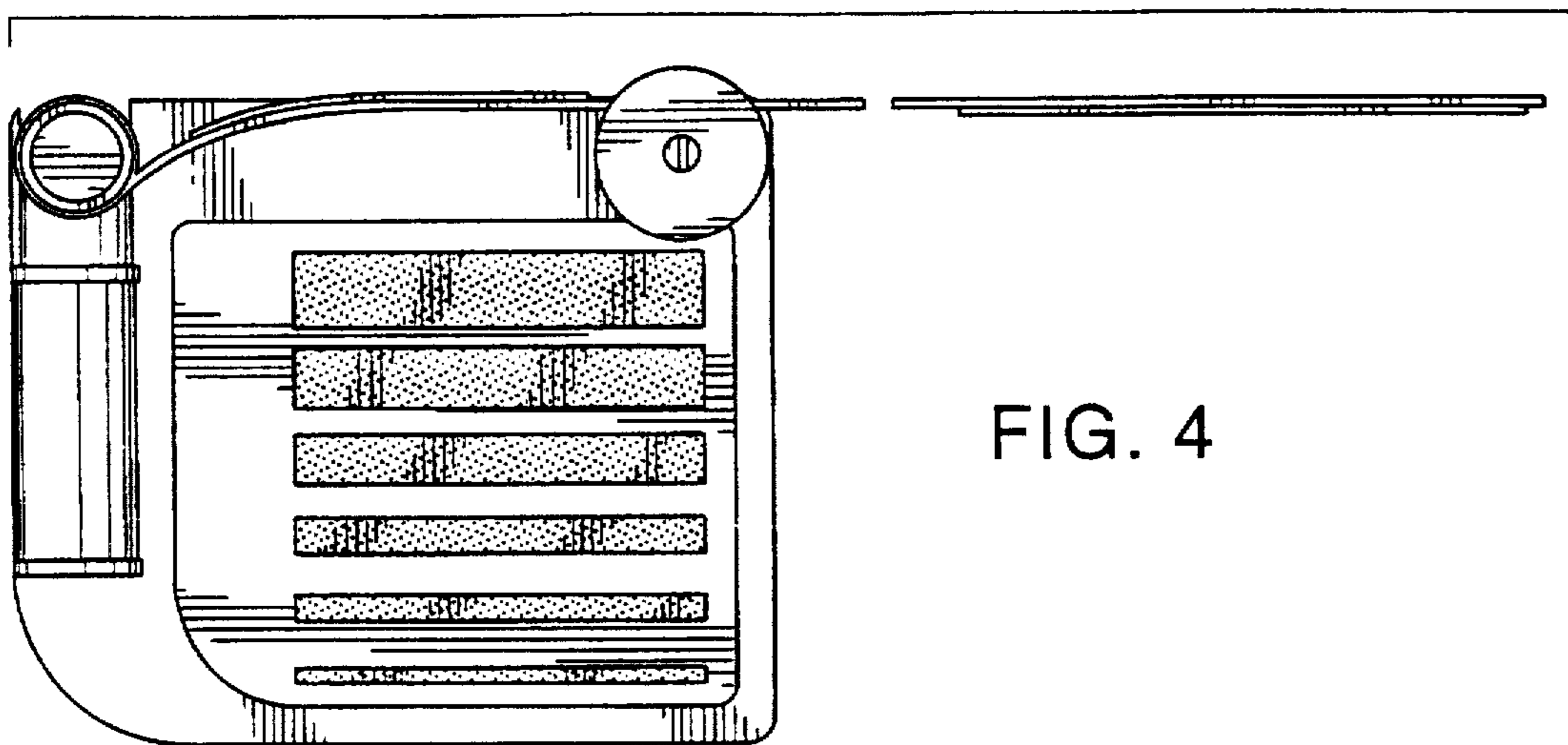


FIG. 6

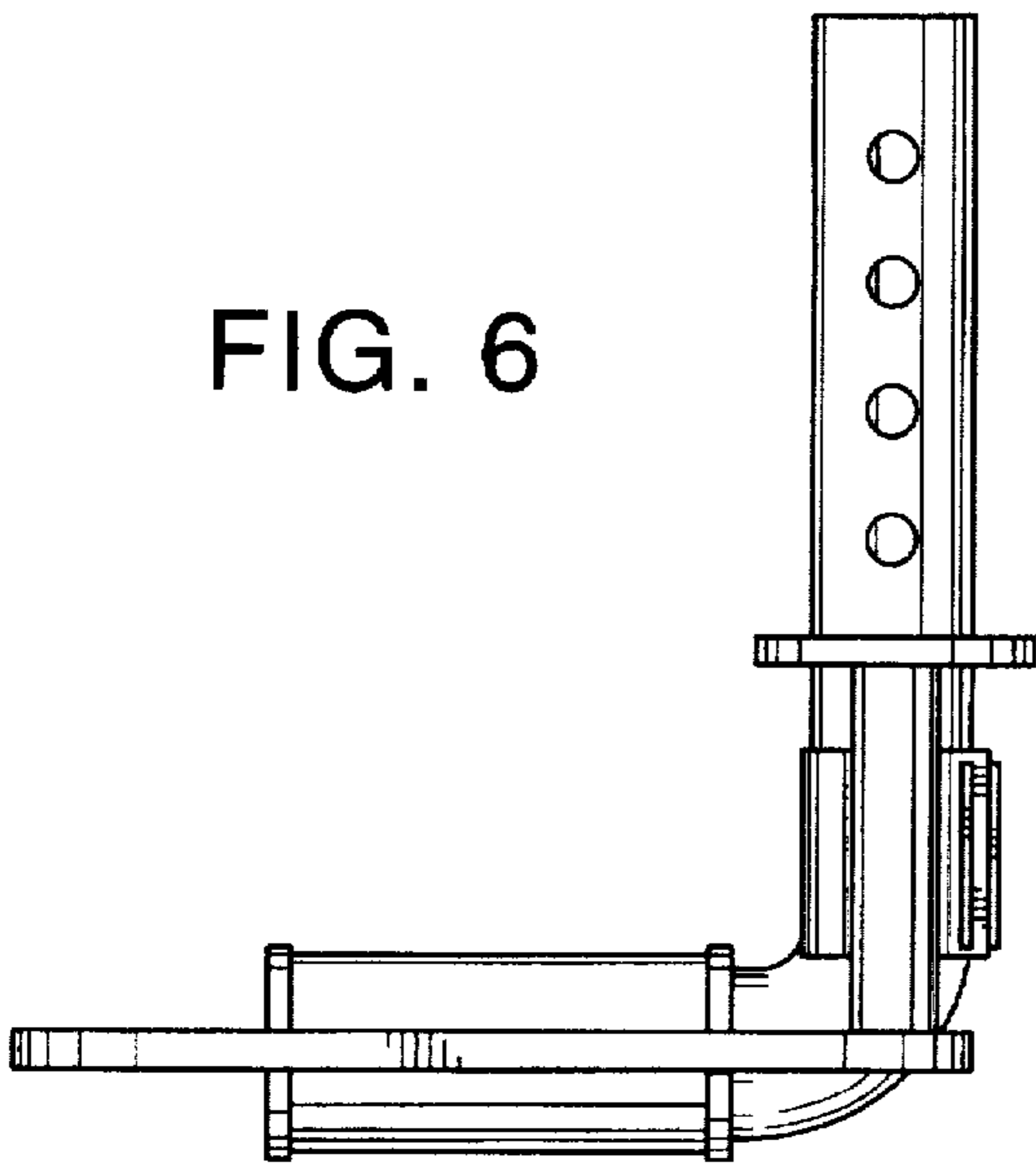


FIG. 7

