



US00D395256S

# United States Patent [19]

Udiko

[11] Patent Number: **Des. 395,256**

[45] Date of Patent: **\*\*Jun. 16, 1998**

[54] EAR ORNAMENT

852,922 5/1907 Boismaure ..... 63/31

[75] Inventor: **Richard W. Udiko**, Beverly Hills, Calif.

### FOREIGN PATENT DOCUMENTS

[73] Assignee: **Unigem International**, Beverly Hills, Calif.

585940 3/1925 France ..... 63/28

[\*\*] Term: **14 Years**

*Primary Examiner*—James M. Gandy  
*Assistant Examiner*—Caron D. Veynar  
*Attorney, Agent, or Firm*—Michael A. Painter

[21] Appl. No.: **51,504**

### [57] CLAIM

[22] Filed: **Mar. 12, 1996**

The ornamental design for an ear ornament, as shown and described.

[51] LOC (6) CL. .... **11-01**

[52] U.S. Cl. .... **D11/56**

[58] Field of Search ..... D11/1, 14, 30,  
D11/34, 40, 41, 44, 56, 81, 89, 90; 63/1.1,  
2, 12, 14.1–14.8, 26, 28

### DESCRIPTION

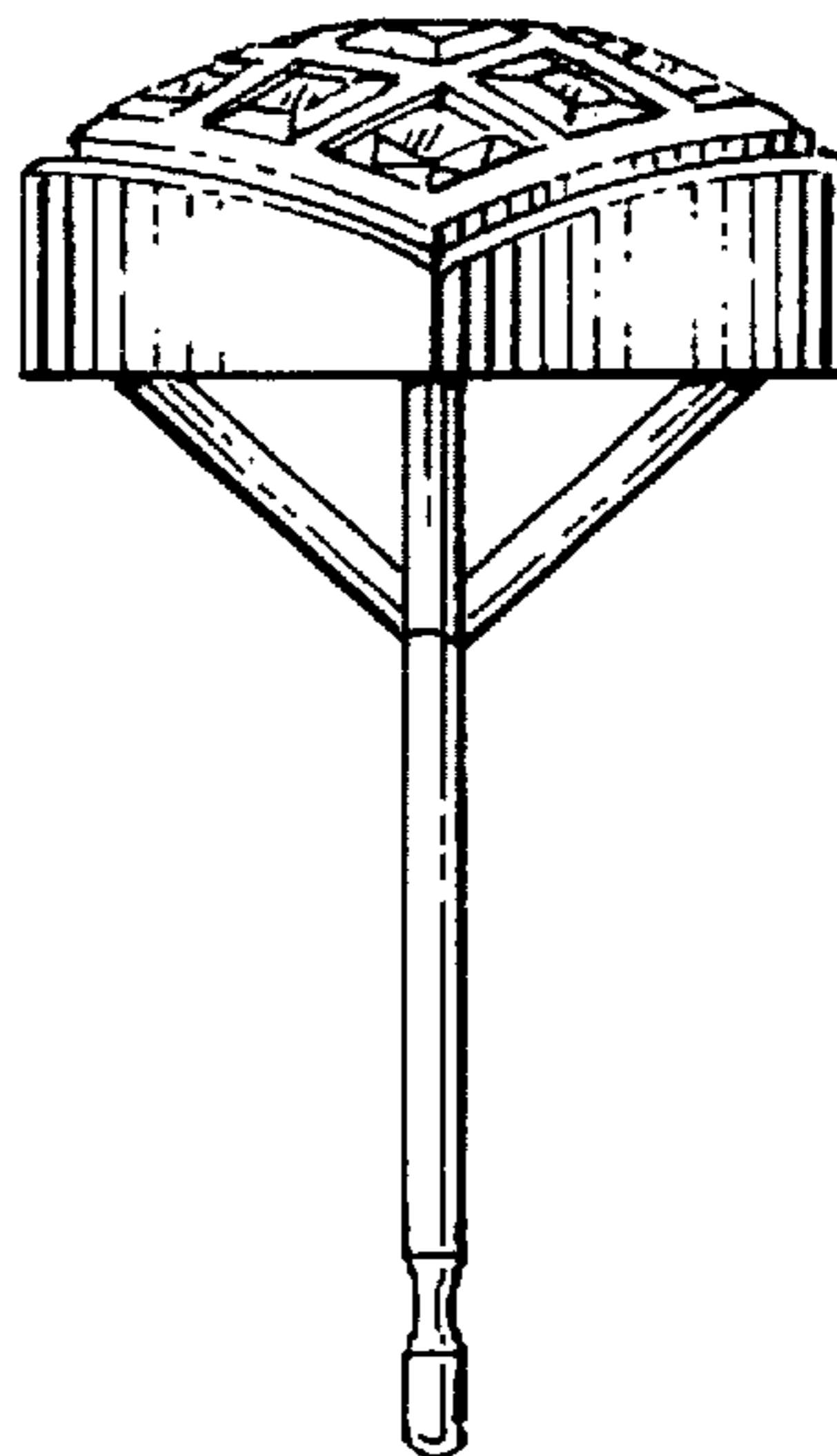
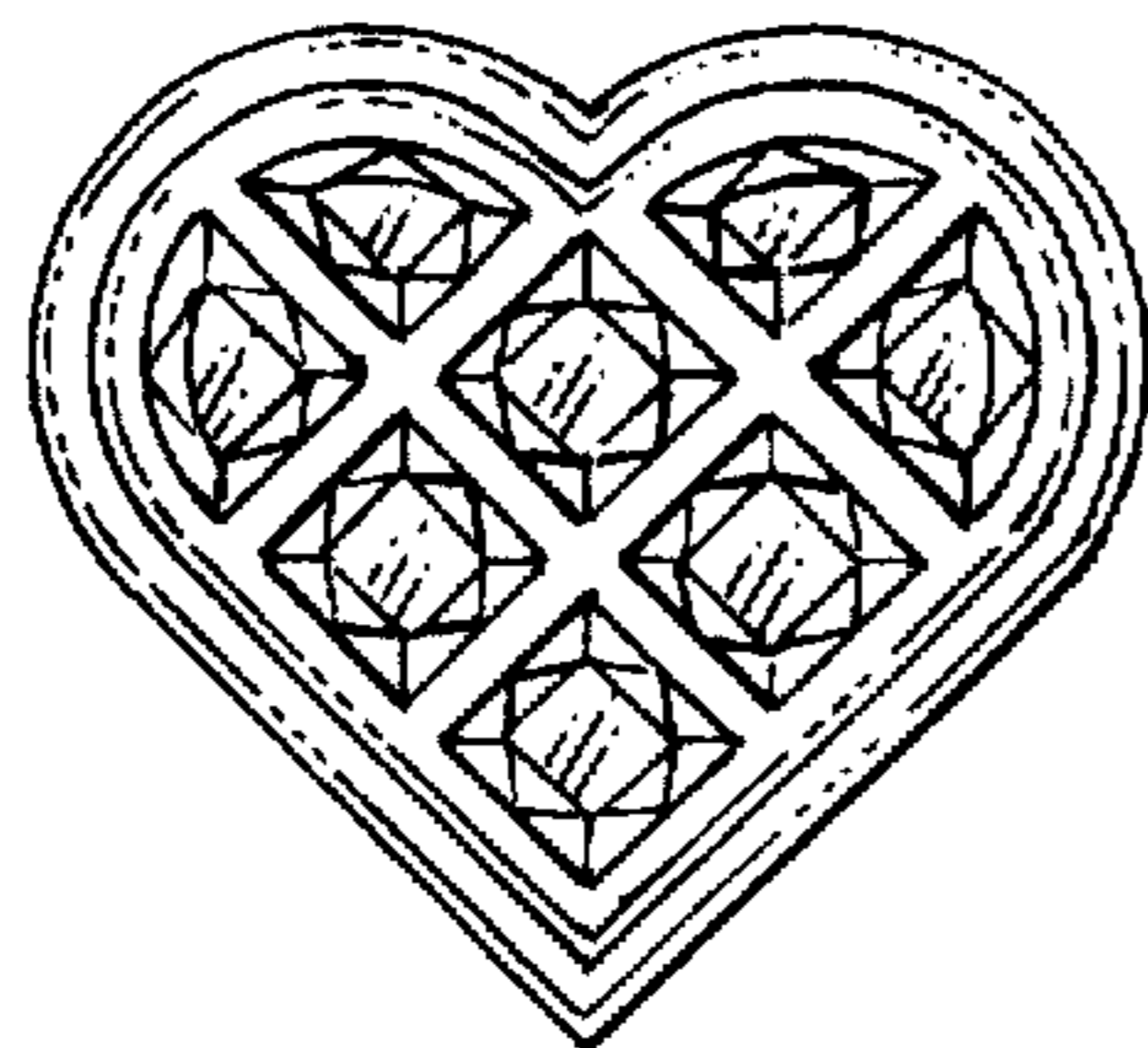
FIG. 1 is front plan view of an ear ornament illustrating my new design;  
FIG. 2 is a rear plan view thereof;  
FIG. 3 is a bottom elevational view;  
FIG. 4 is a top elevation view thereof; and,  
FIG. 5 is a right side elevational view thereof, the left side elevation view being identical in appearance.

### [56] References Cited

#### U.S. PATENT DOCUMENTS

299,500 6/1884 Adams ..... 63/12  
D. 339,311 9/1993 Ambar ..... D11/81  
813,084 2/1906 Dover ..... D11/89 X

**1 Claim, 1 Drawing Sheet**



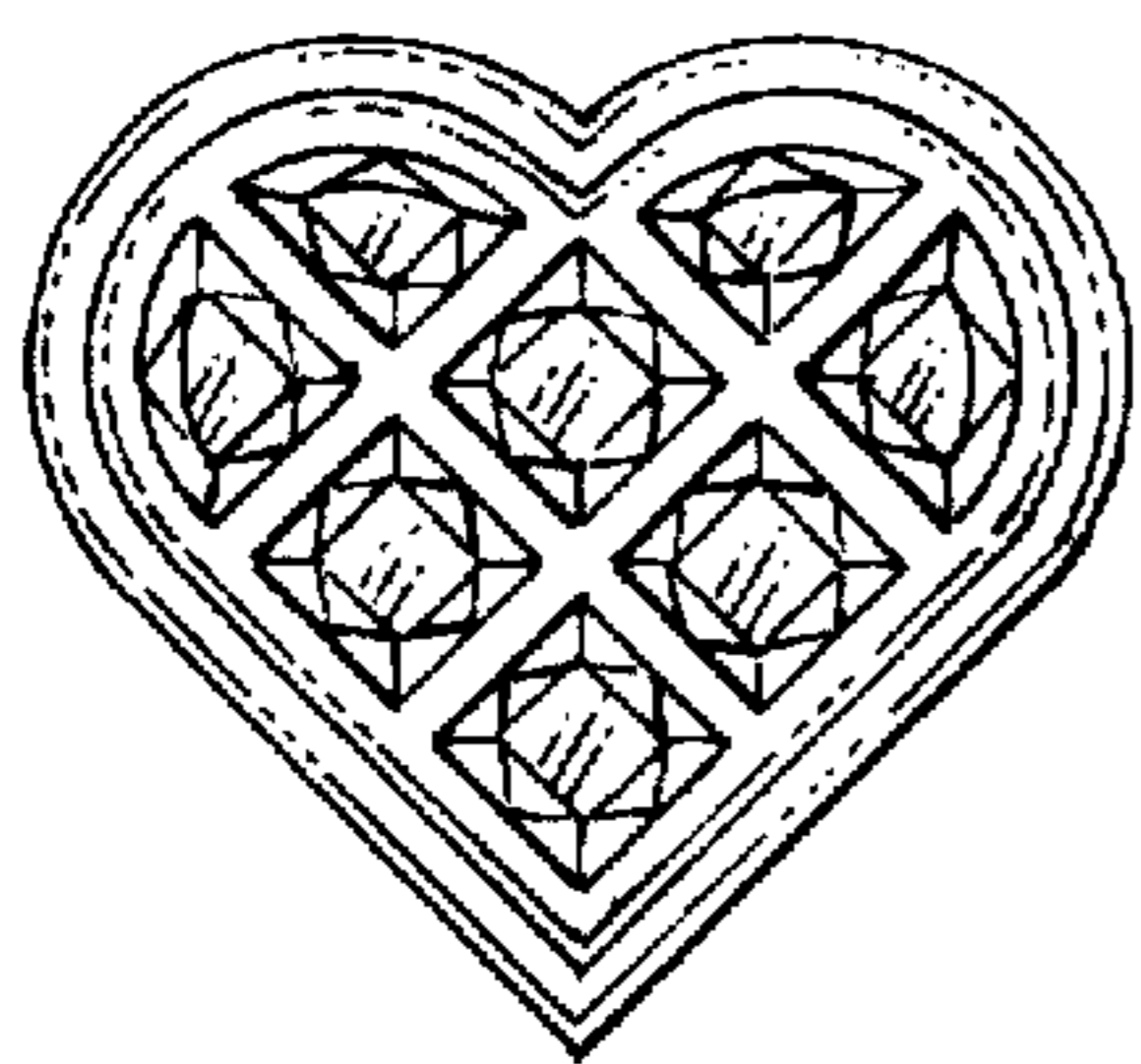


FIG. 1.

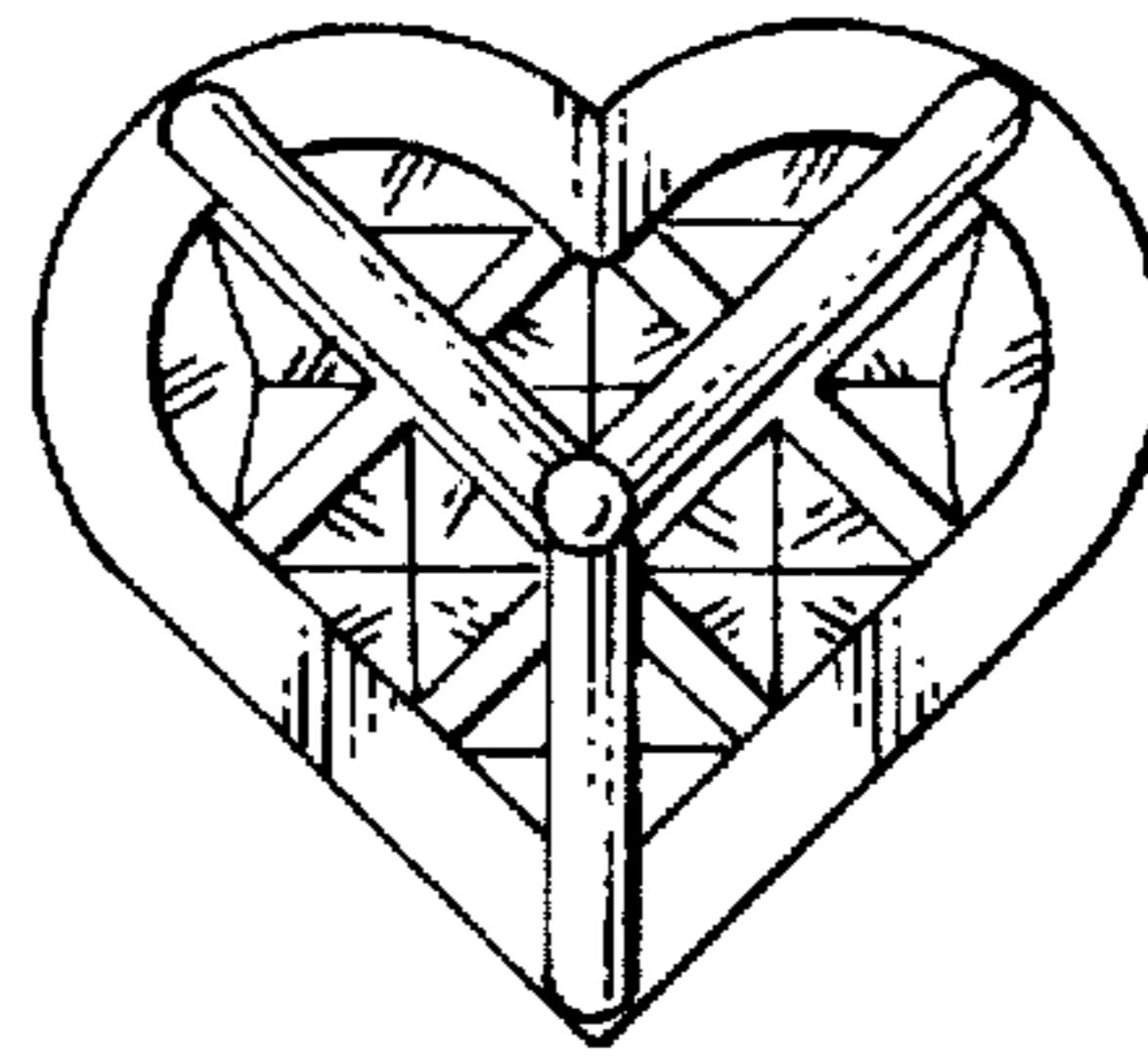


FIG. 2.

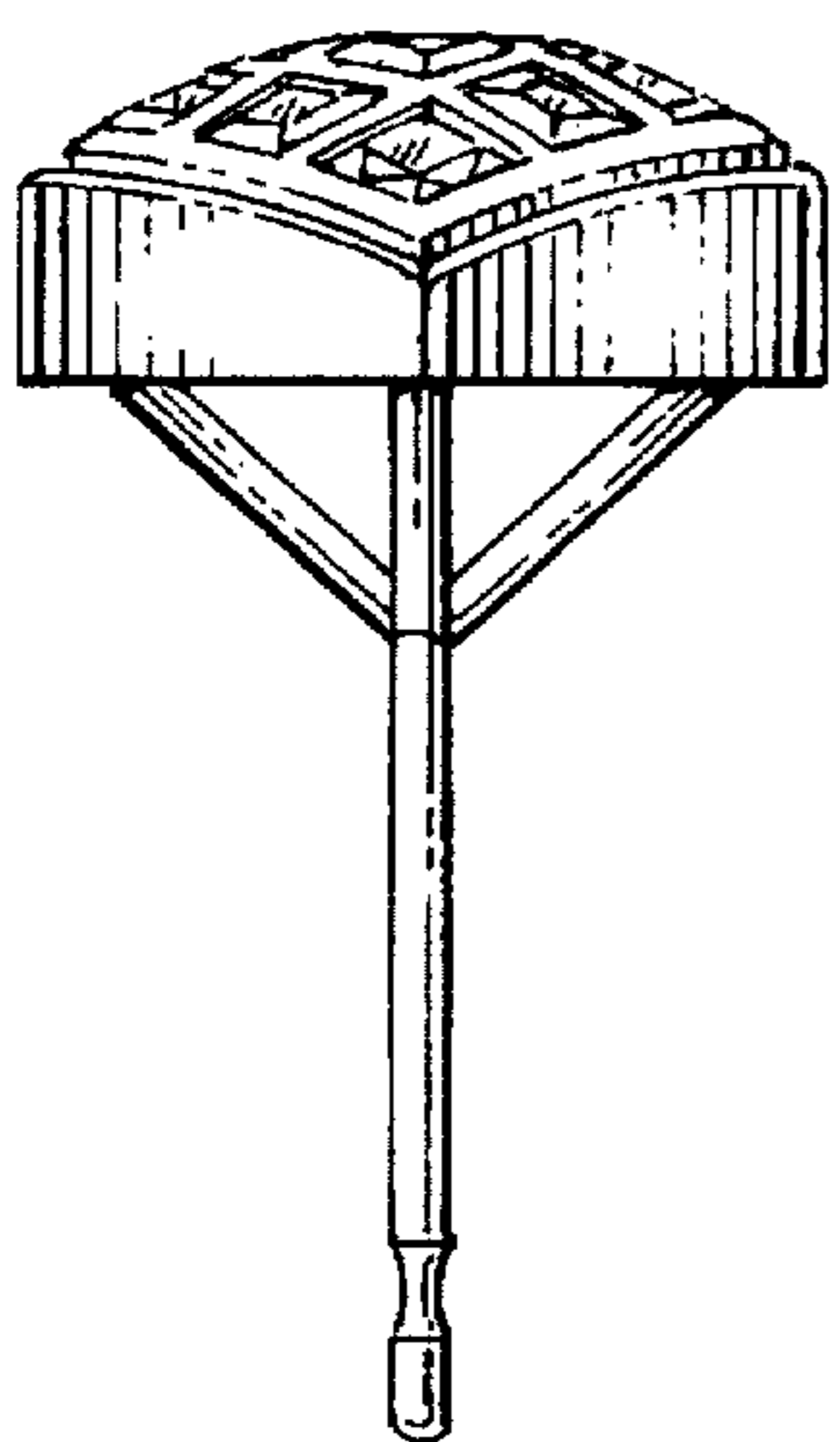


FIG. 3.

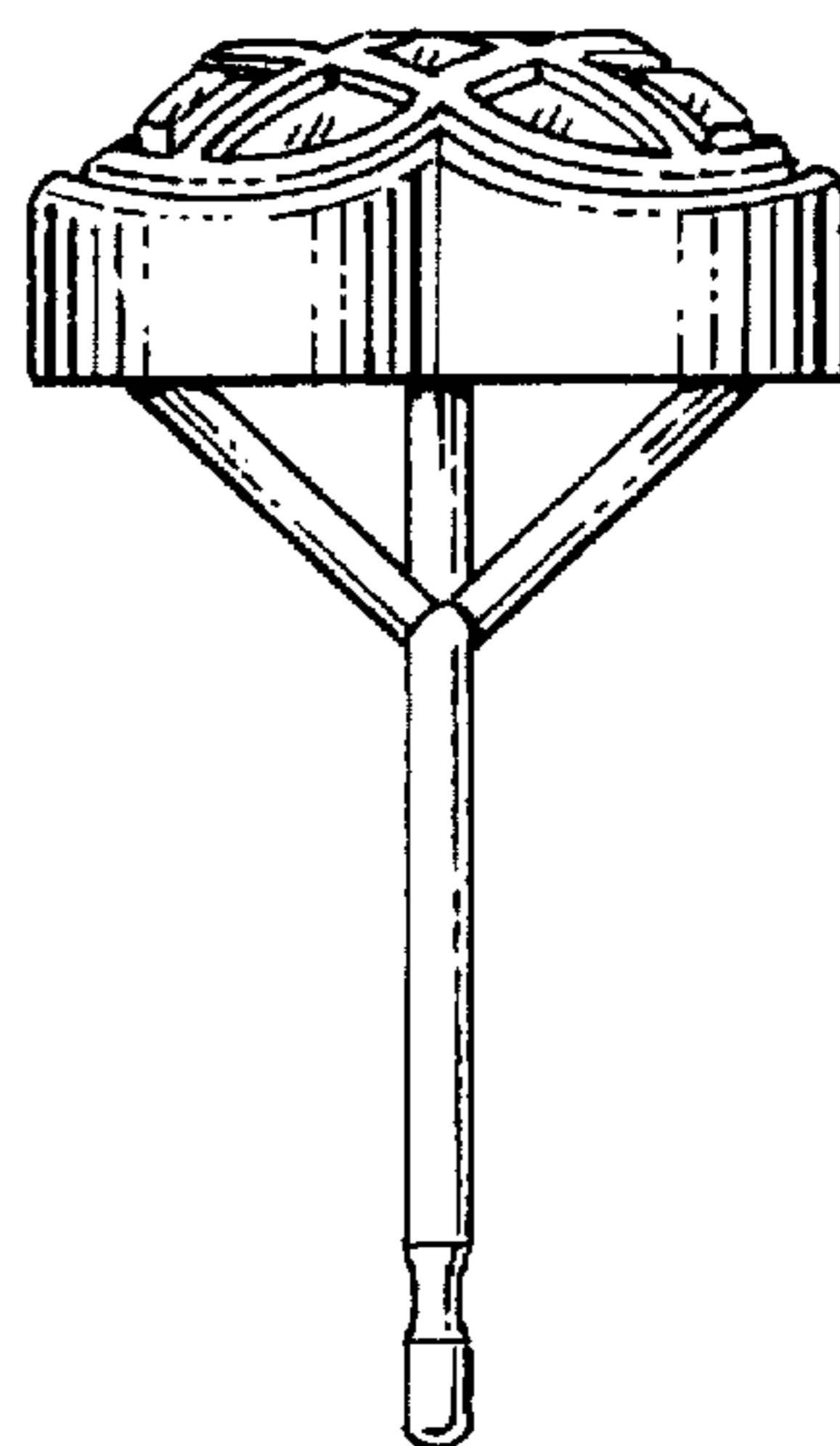


FIG. 4.

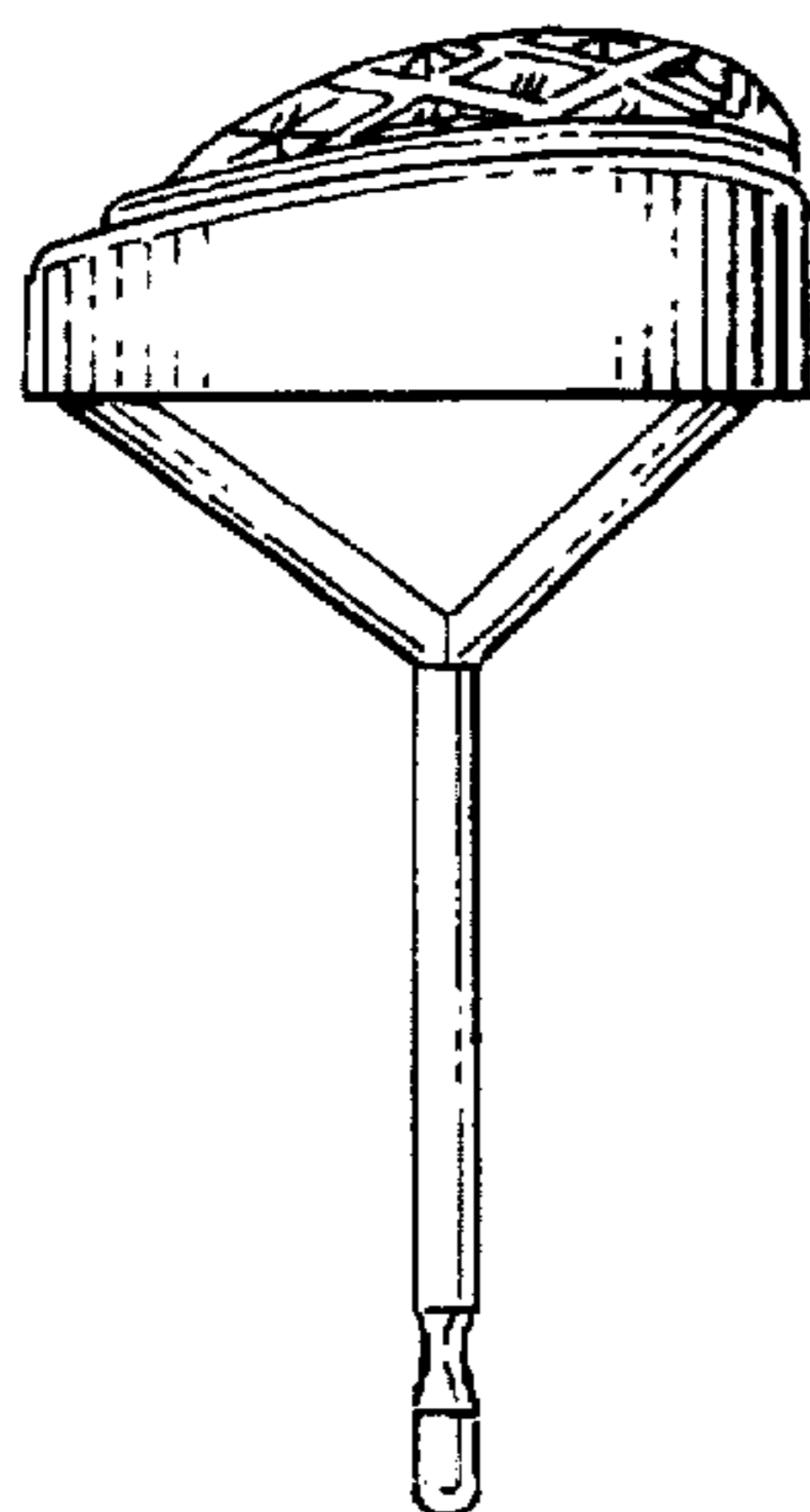


FIG. 5.