



US00D395255S

# United States Patent [19] Kothari

[11] Patent Number: **Des. 395,255**

[45] Date of Patent: **\*\*Jun. 16, 1998**

[54] RING  
[75] Inventor: **Premkumar Kothari, Bombay, India**  
[73] Assignee: **Fine Jewellery Ltd., Bombay, India**  
[\*\*] Term: **14 Years**  
[21] Appl. No.: **61,388**  
[22] Filed: **Oct. 23, 1996**

1,599,811 9/1926 Eliasoff ..... D11/38  
4,813,246 3/1989 Richards ..... 63/26  
4,914,930 4/1990 Bielka ..... 63/26

### FOREIGN PATENT DOCUMENTS

744454 4/1933 France ..... 63/26  
002700446 7/1994 France ..... 63/15  
2276806 10/1994 United Kingdom ..... 63/26  
093003646 3/1993 WIPO ..... 63/15

### OTHER PUBLICATIONS

Jewelers' Circular—Keystone; p. 82; Baker Tapered Rings; Aug. 1966.

*Primary Examiner*—Cathy Anne MacCormac  
*Attorney, Agent, or Firm*—Thomas I. Rozsa; Tony D. Chen

[51] LOC (6) Cl. .... **11-01**  
[52] U.S. Cl. .... **D11/26; D11/34**  
[58] Field of Search ..... D11/26-30, 34-38,  
D11/48; 63/3, 15, 15.45, 26

### [56] References Cited

#### U.S. PATENT DOCUMENTS

D. 61,982 2/1923 Lapidus ..... D11/38  
D. 92,561 6/1934 Samuels ..... D11/34  
D. 259,028 4/1981 Barr ..... D11/26  
D. 273,772 5/1984 Bulgari ..... D11/35  
D. 301,121 5/1989 Messa ..... D11/38  
D. 342,039 12/1993 Ambar ..... D11/26  
D. 345,715 4/1994 Hundt ..... D11/26  
D. 372,437 8/1996 Petrucci ..... D11/26  
D. 373,096 8/1996 Bergagnini ..... D11/28  
665,089 1/1901 Greenberg ..... D11/34  
1,441,597 1/1923 Pejchar ..... 63/26  
1,586,606 6/1926 Cain ..... D11/29

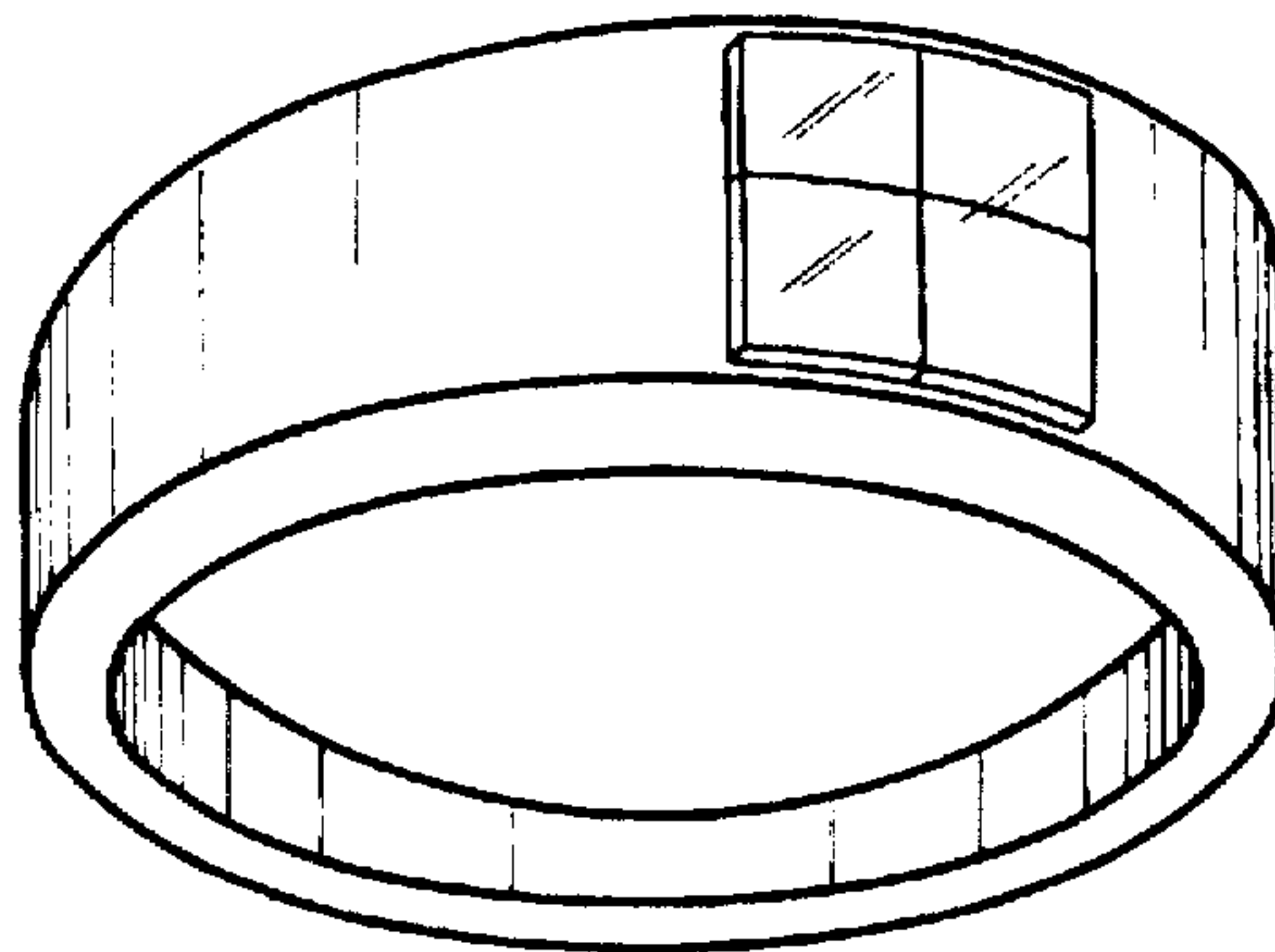
### [57] CLAIM

The ornamental design for a ring, as shown and described.

### DESCRIPTION

FIG. 1 is a perspective view of the ring, showing my new design;  
FIG. 2 is a front elevational view, the rear being identical;  
FIG. 3 is a top plan view;  
FIG. 4 is a bottom plan view; and,  
FIG. 5 is a side elevational view, the other side being identical.

**1 Claim, 1 Drawing Sheet**



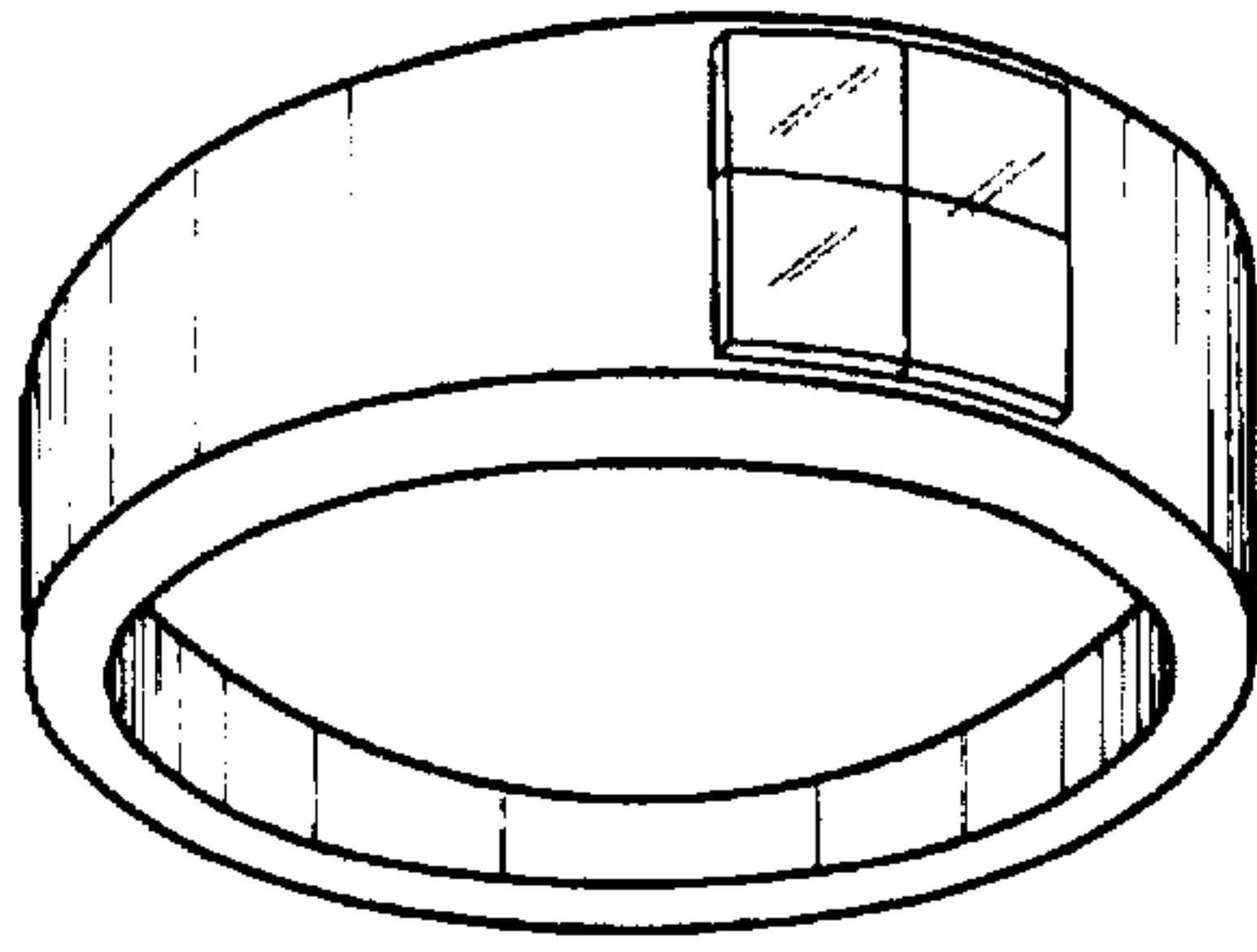


FIG.1

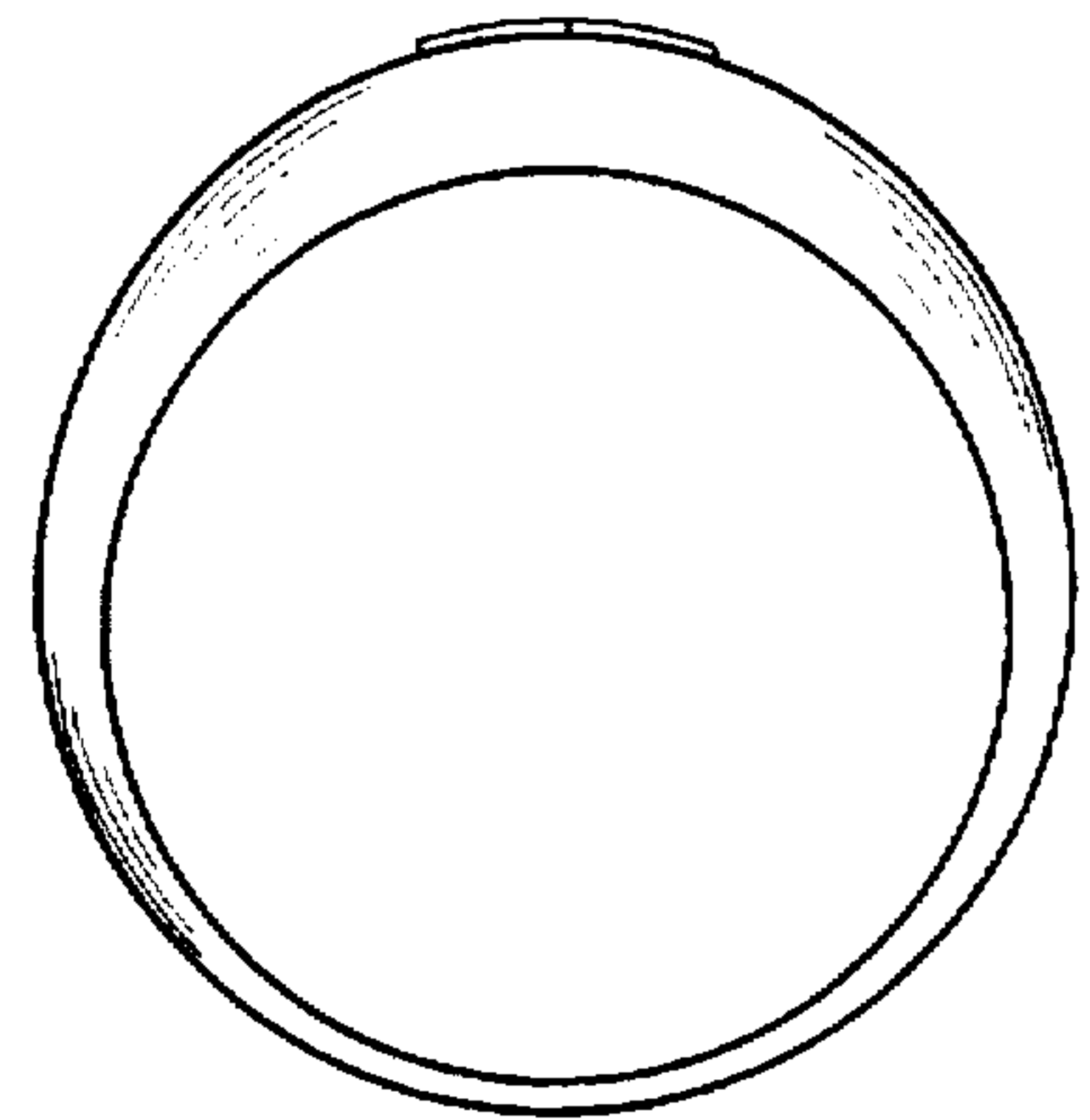


FIG.2

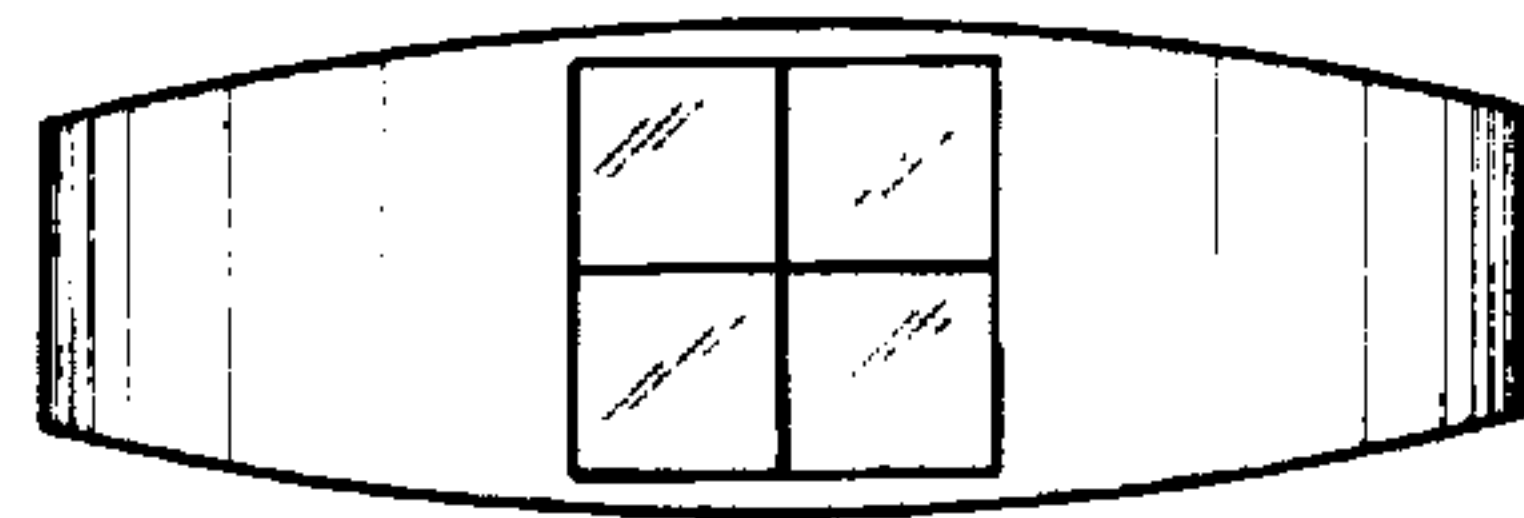


FIG.3

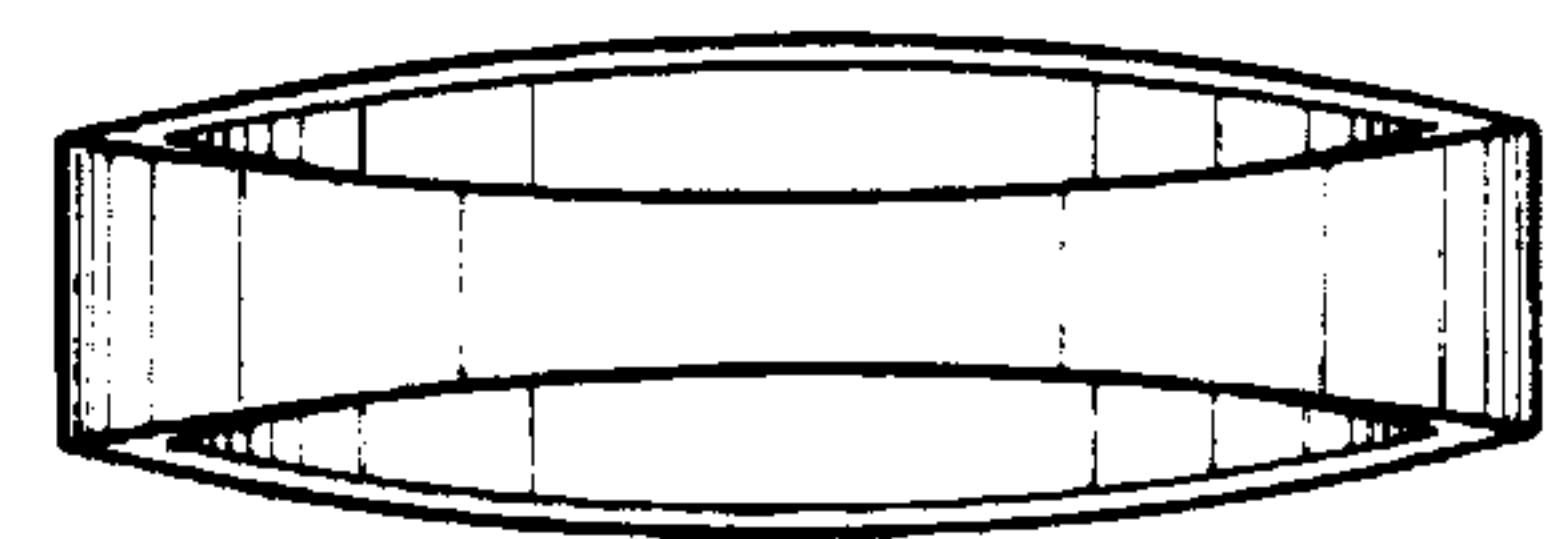


FIG.4

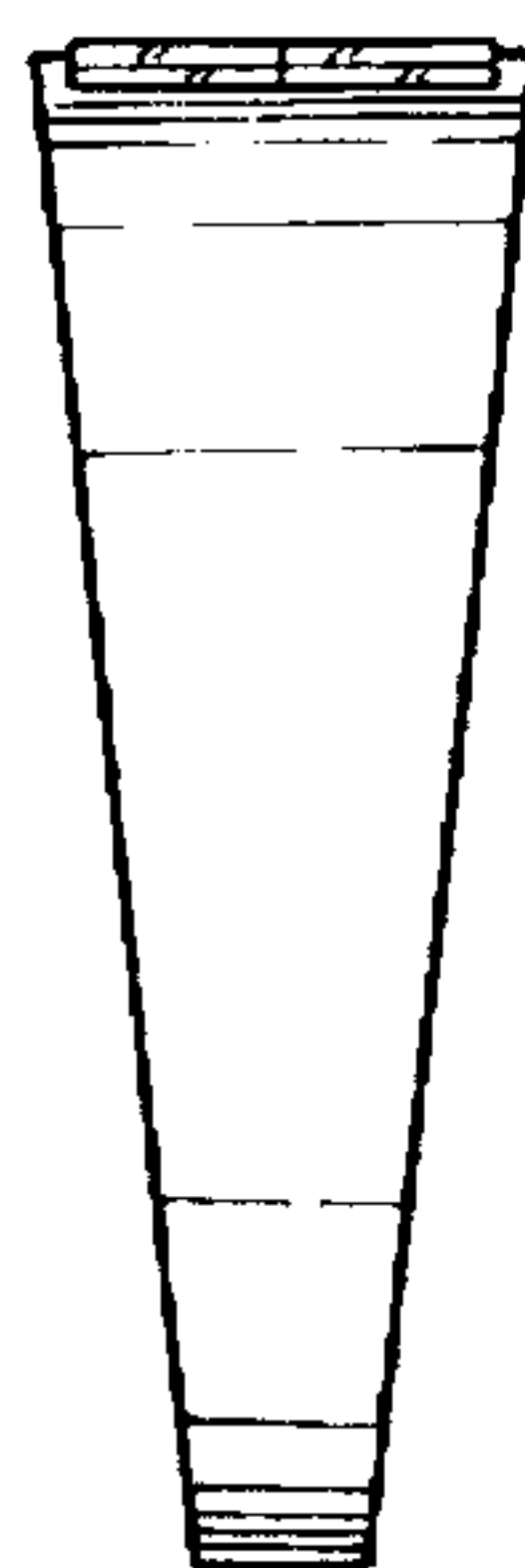


FIG.5