



US00D395252S

United States Patent [19]

[11] Patent Number: Des. 395,252

Nelson et al.

[45] Date of Patent: **Jun. 16, 1998

[54] DIGITAL MULTIMETER

[76] Inventors: **Michael D. Nelson**, 1062 California La. SW., Seattle, Wash. 98116; **Keith W. Kirkwood**, 3979 El Cimo La. NE., Bainbridge Island, Wash. 98110

[**] Term: 14 Years

[21] Appl. No.: 77,901

[22] Filed: Oct. 3, 1997

[51] LOC (6) Cl. 10-04

[52] U.S. Cl. D10/78

[58] Field of Search D10/78; 324/73 R, 324/715, 123 R, 110, 115, 149, 151, 156; 330/294, 300

[56] References Cited

U.S. PATENT DOCUMENTS

D. 381,280	7/1997	Tomiyama et al.	D10/78
D. 385,808	11/1997	Kim	D10/78
5,442,337	8/1995	Hwang	324/115 X
5,619,129	4/1997	Kamiya	324/115
5,621,311	4/1997	Kamiya	324/156

Primary Examiner—Antoine Duval Davis
Attorney, Agent, or Firm—Douglas J. Barker

[57] CLAIM

The ornamental design for a digital multimeter, as shown and described.

DESCRIPTION

FIG. 1 is a bottom, front, and right side perspective view of

a first embodiment of a digital multimeter showing our new design;

FIG. 2 is a front elevational view thereof;

FIG. 3 is a right side elevational view thereof;

FIG. 4 is a left side elevational view thereof;

FIG. 5 is a rear elevational view thereof;

FIG. 6 is a top plan view thereof;

FIG. 7 is a bottom plan view thereof;

FIG. 8 is a bottom, front, and right side perspective view of a second embodiment of the digital multimeter showing our new design;

FIG. 9 is a front elevational view of the embodiment of FIG. 8;

FIG. 10 is a right side elevational view of the embodiment of FIG. 8;

FIG. 11 is a left side elevational view of the embodiment of FIG. 8;

FIG. 12 is a rear elevational view of the embodiment of FIG. 8;

FIG. 13 is a top plan view of the embodiment of FIG. 8; and,

FIG. 14 is a bottom plan view of the embodiment of FIG. 8.

The broken line showing in FIG. 1-7 is for illustrative purposes only and forms no part of the claimed design.

1 Claim, 10 Drawing Sheets

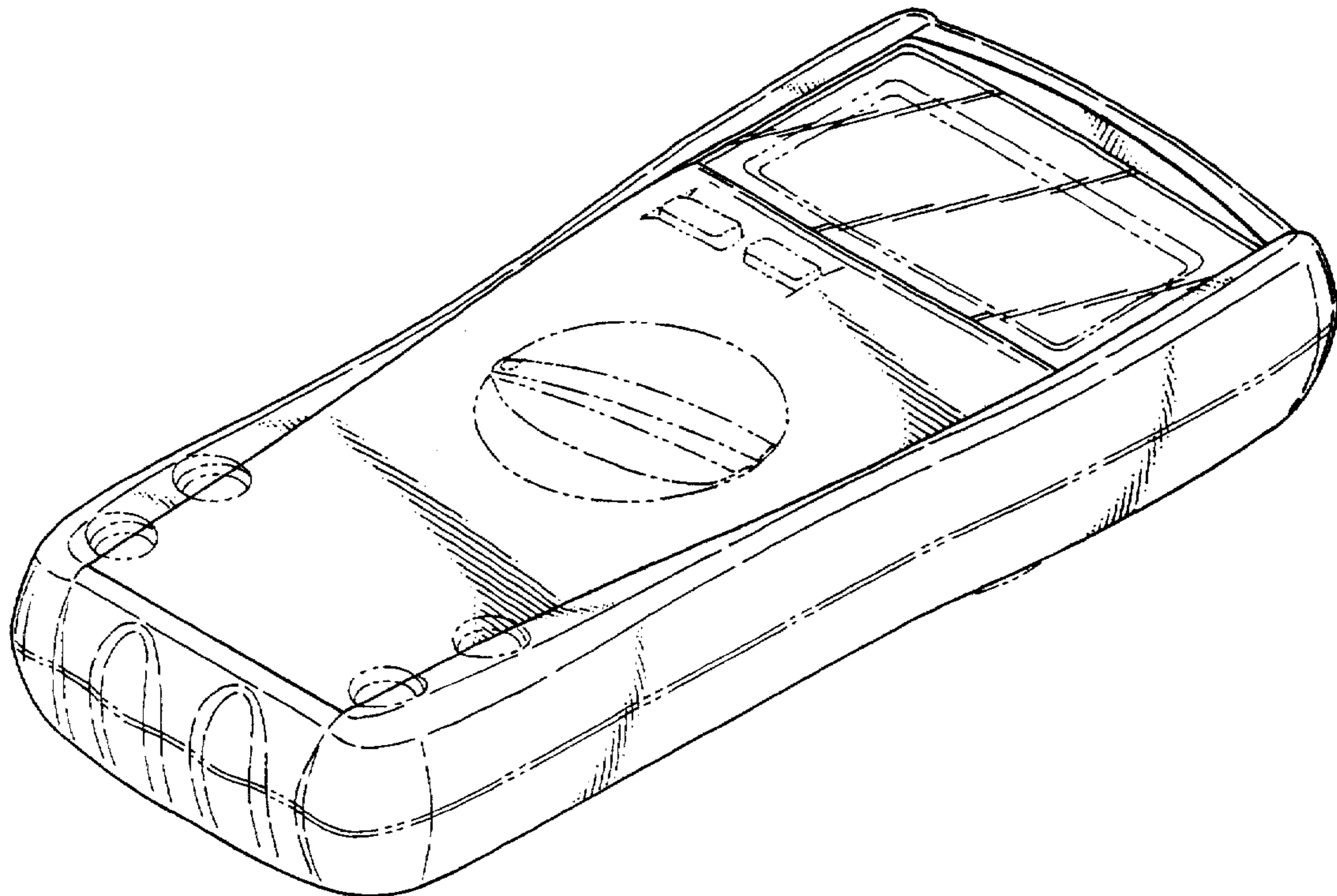


FIG. 1

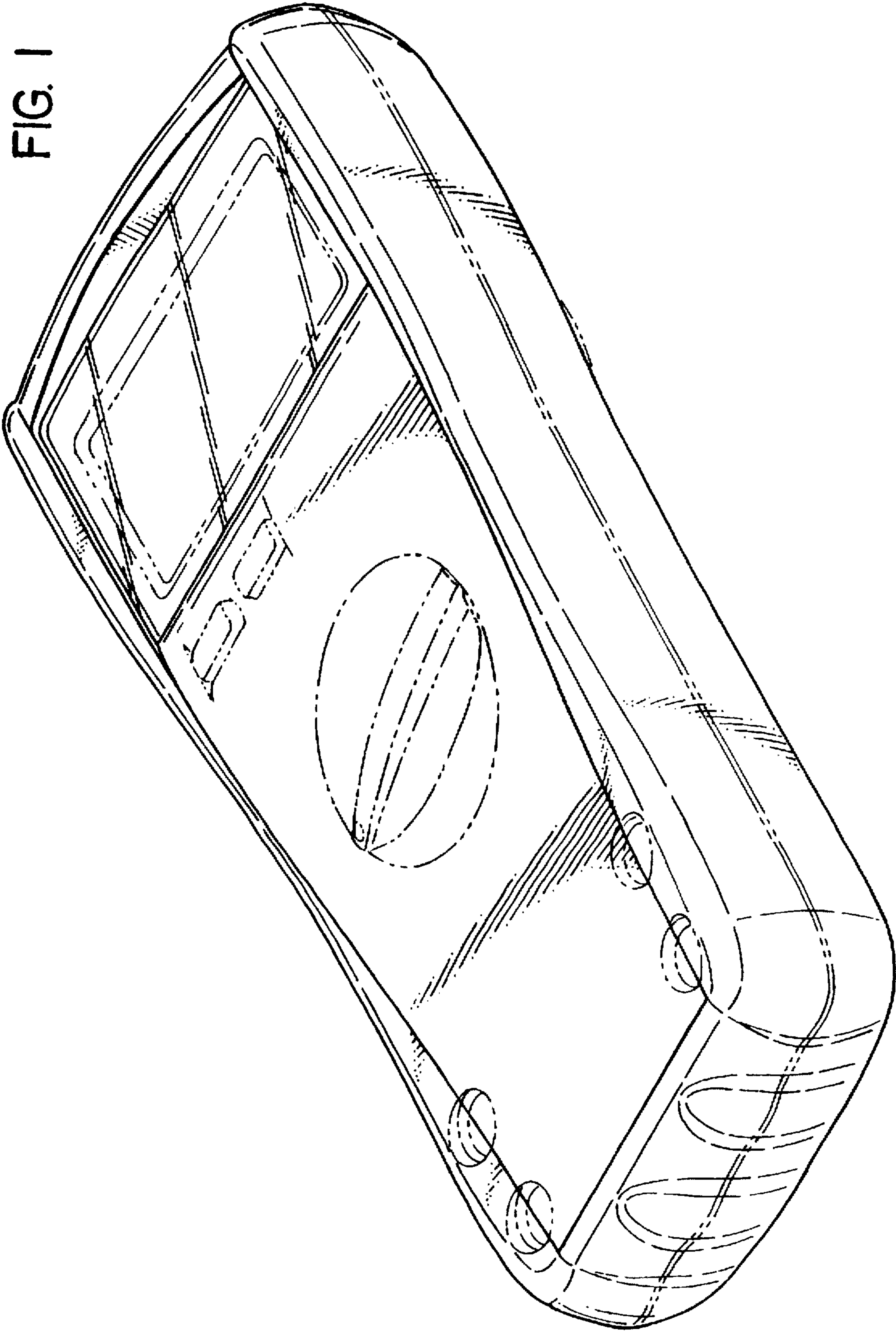


FIG. 2

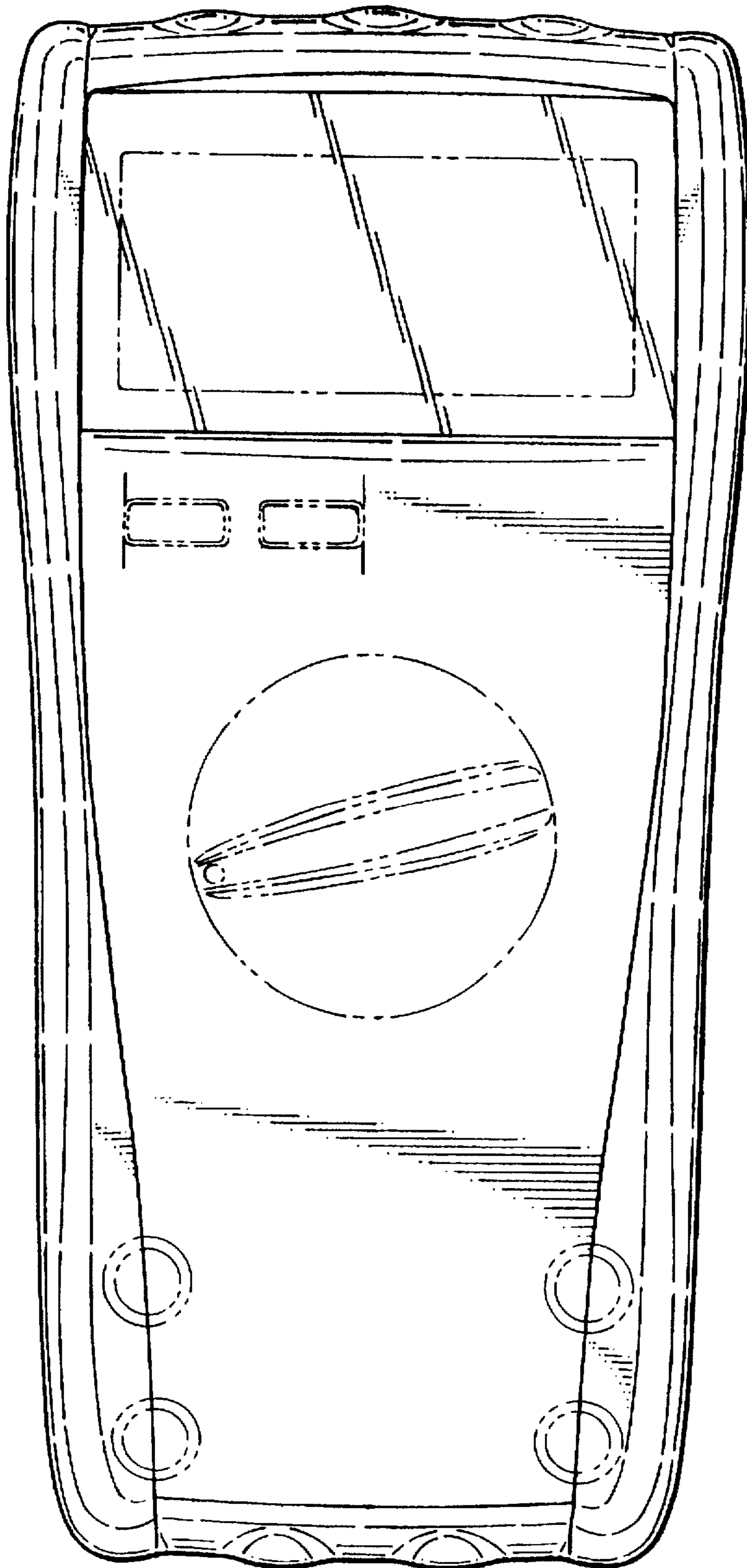


FIG. 3

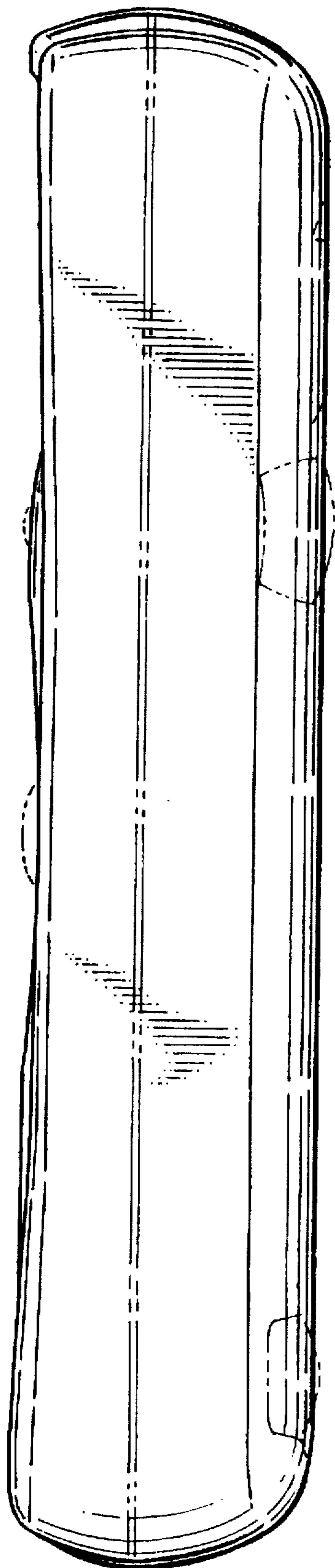


FIG. 4

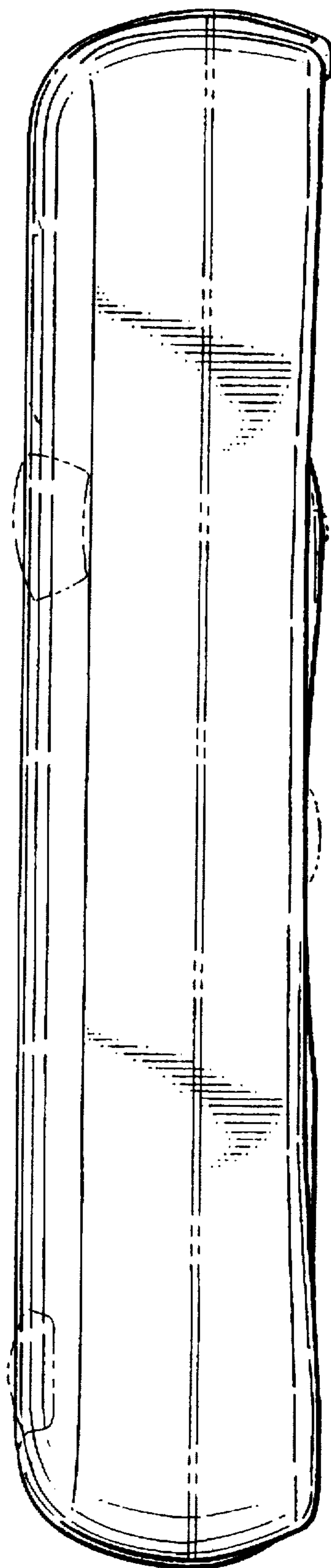


FIG. 5

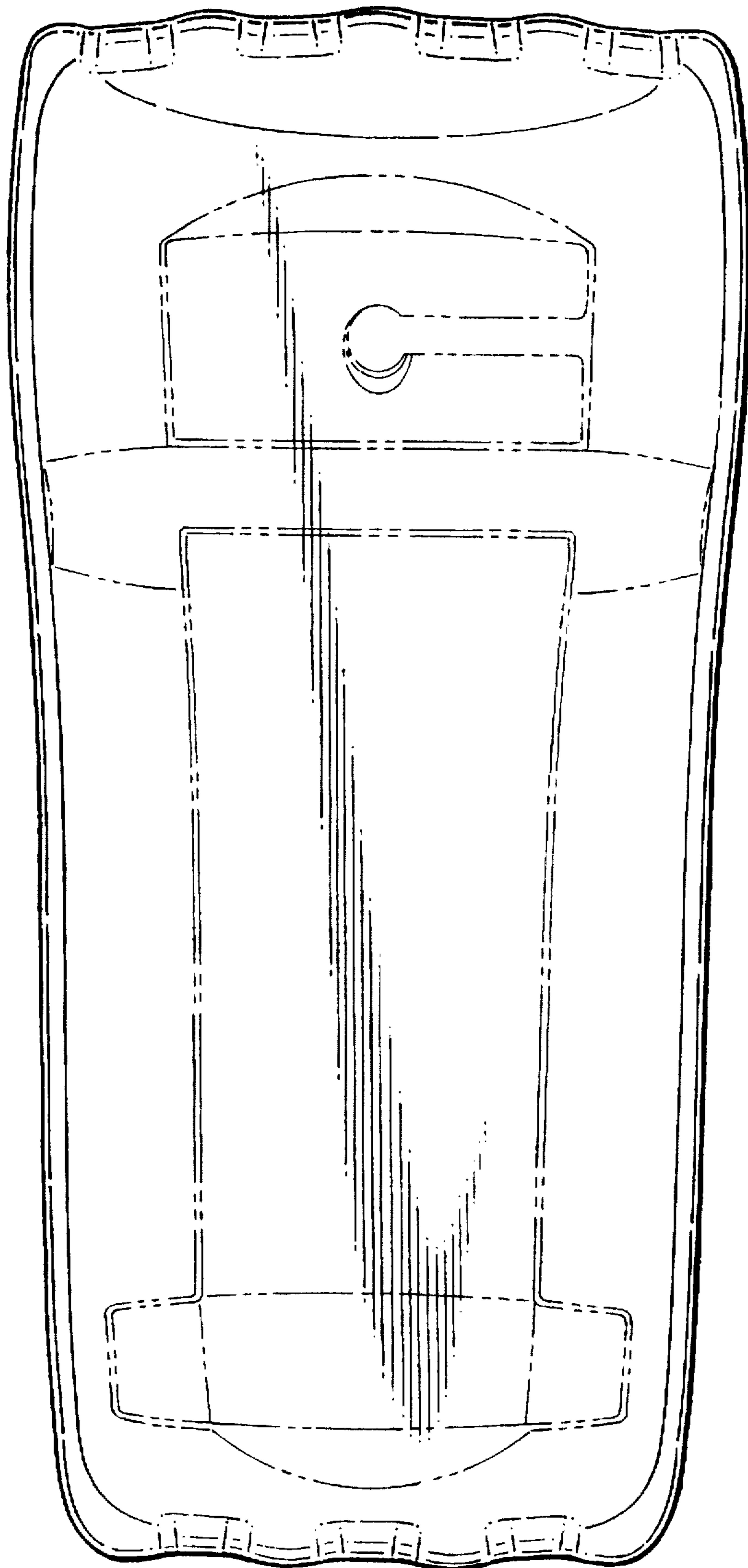


FIG. 6

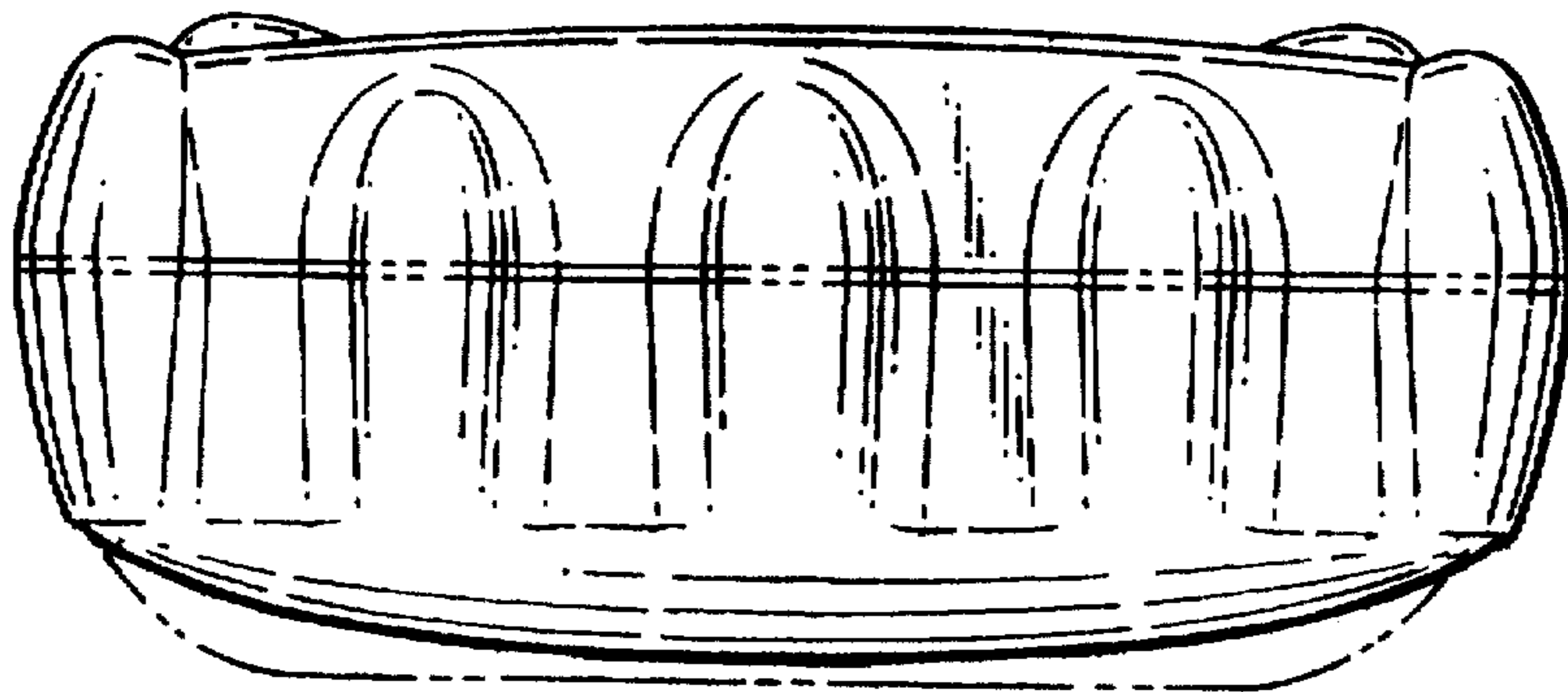


FIG. 7

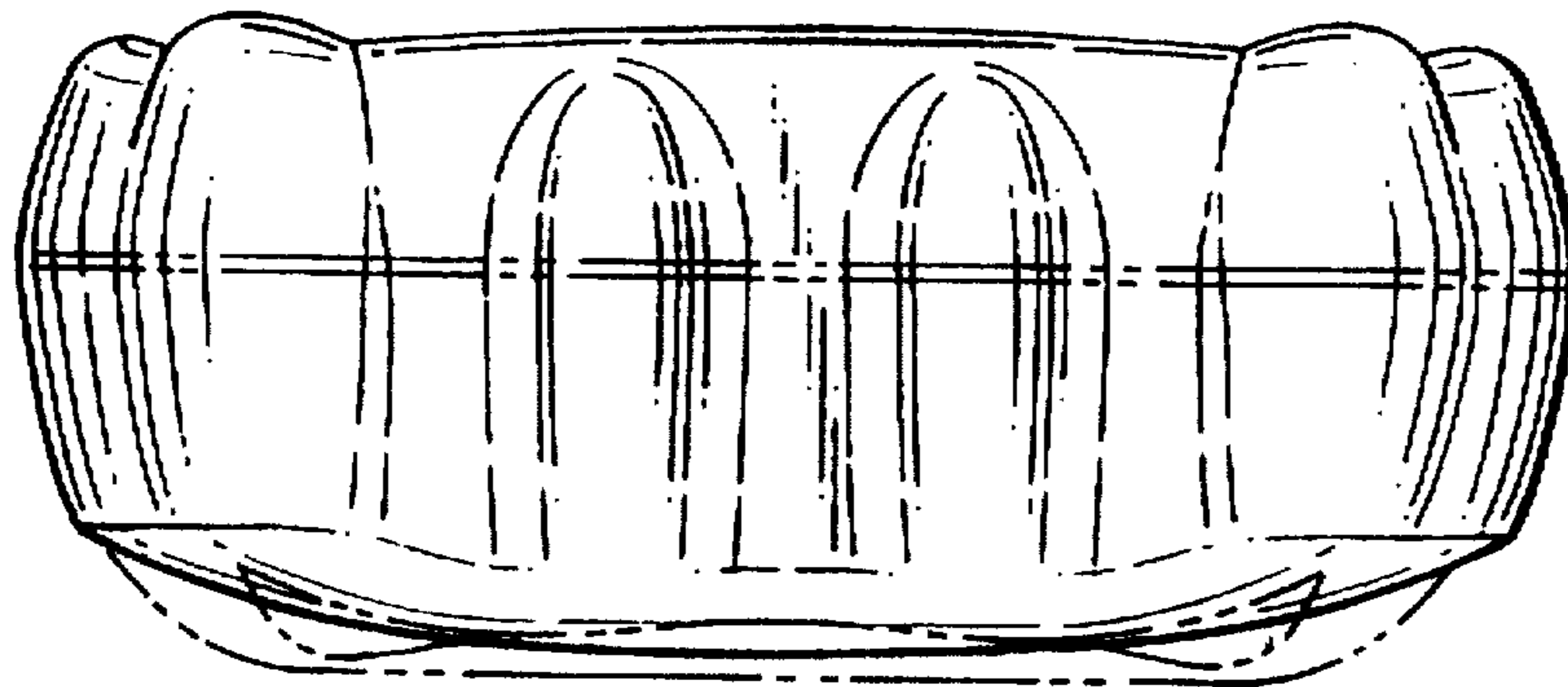


FIG. 8

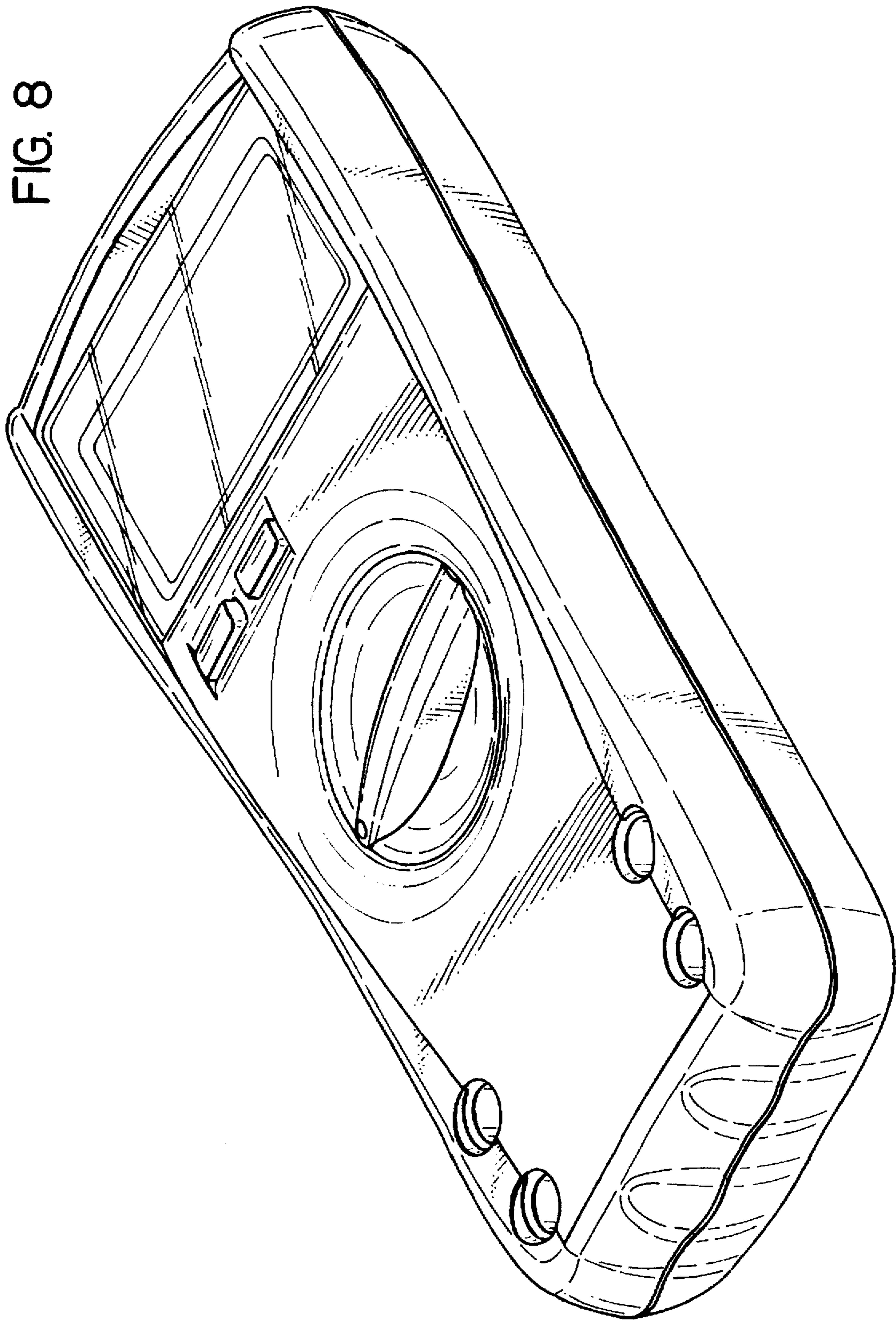


FIG. 9

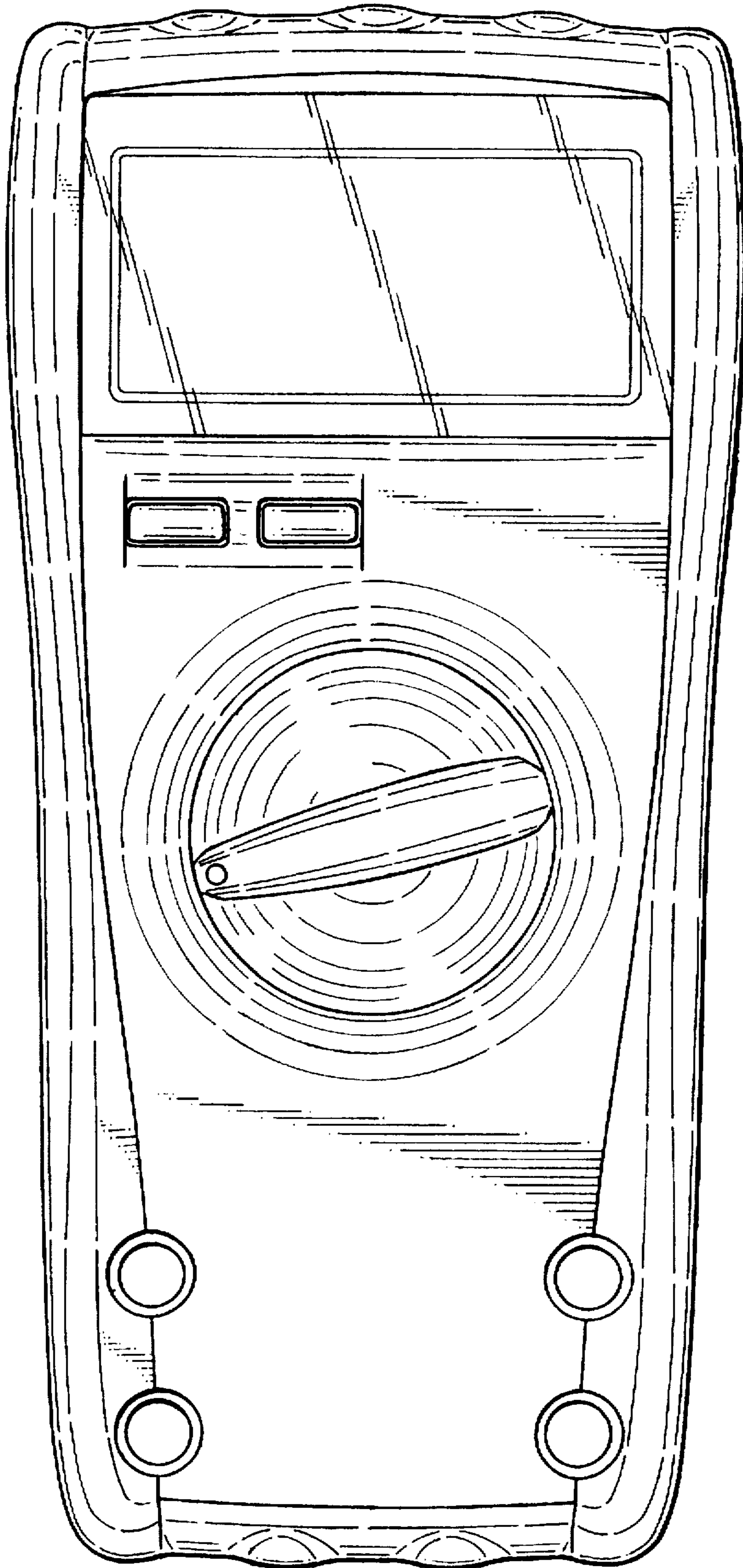


FIG. 10

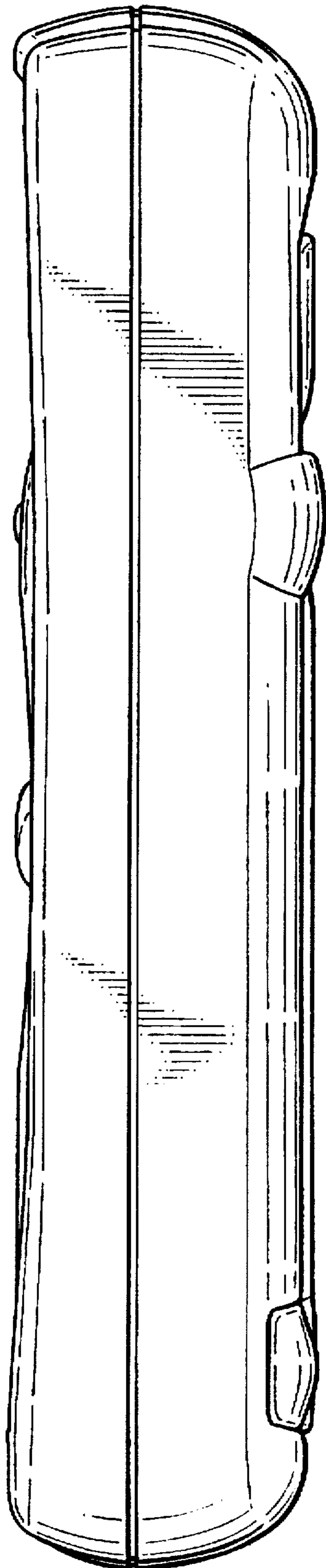


FIG. 11

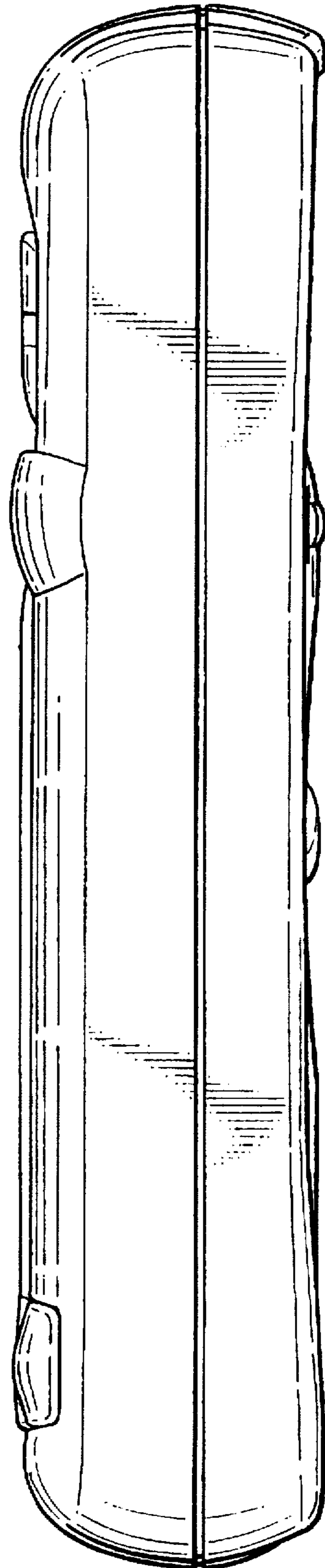


FIG. 12

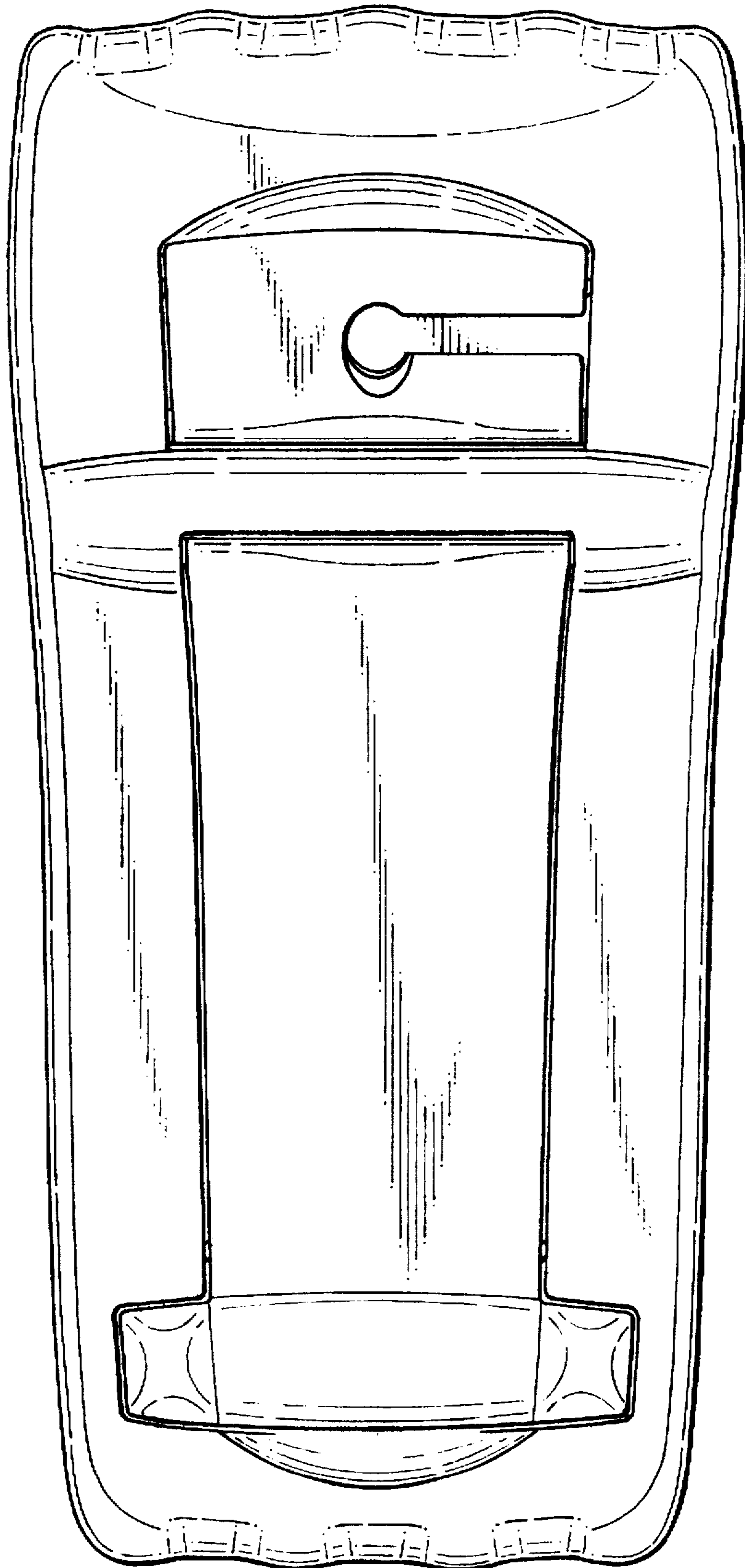


FIG. 13

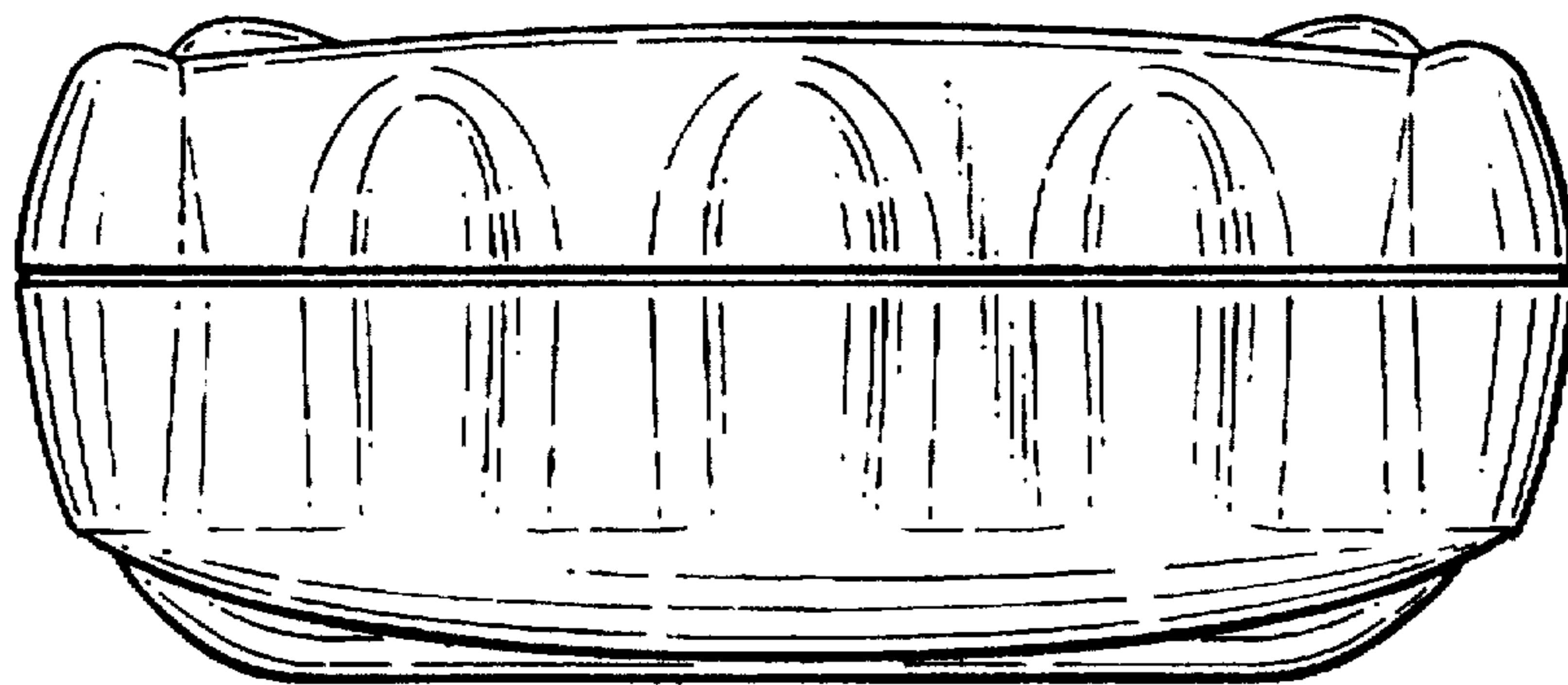


FIG. 14

