



US00D395249S

**United States Patent** [19]  
**Lindstrom**

[11] **Patent Number: Des. 395,249**

[45] **Date of Patent: \*\*Jun. 16, 1998**

[54] **TAKE-APART FRAMING SQUARE**

[76] **Inventor: Albert Lindstrom, 3409 Tarwater Ave., Anchorage, Ak. 99508**

[\*\*] **Term: 14 Years**

[21] **Appl. No.: 66,972**

[22] **Filed: Feb. 25, 1997**

[51] **LOC (6) Cl. .... 10-04**

[52] **U.S. Cl. .... D10/65**

[58] **Field of Search ..... D10/65; 33/429-447**

[56] **References Cited**

**U.S. PATENT DOCUMENTS**

733,302 7/1903 Van Court ..... D10/65 X  
4,944,096 7/1990 Tolley ..... D10/65 X

*Primary Examiner*—Antoine Duval Davis  
*Attorney, Agent, or Firm*—Michael J. Tavella

[57] **CLAIM**

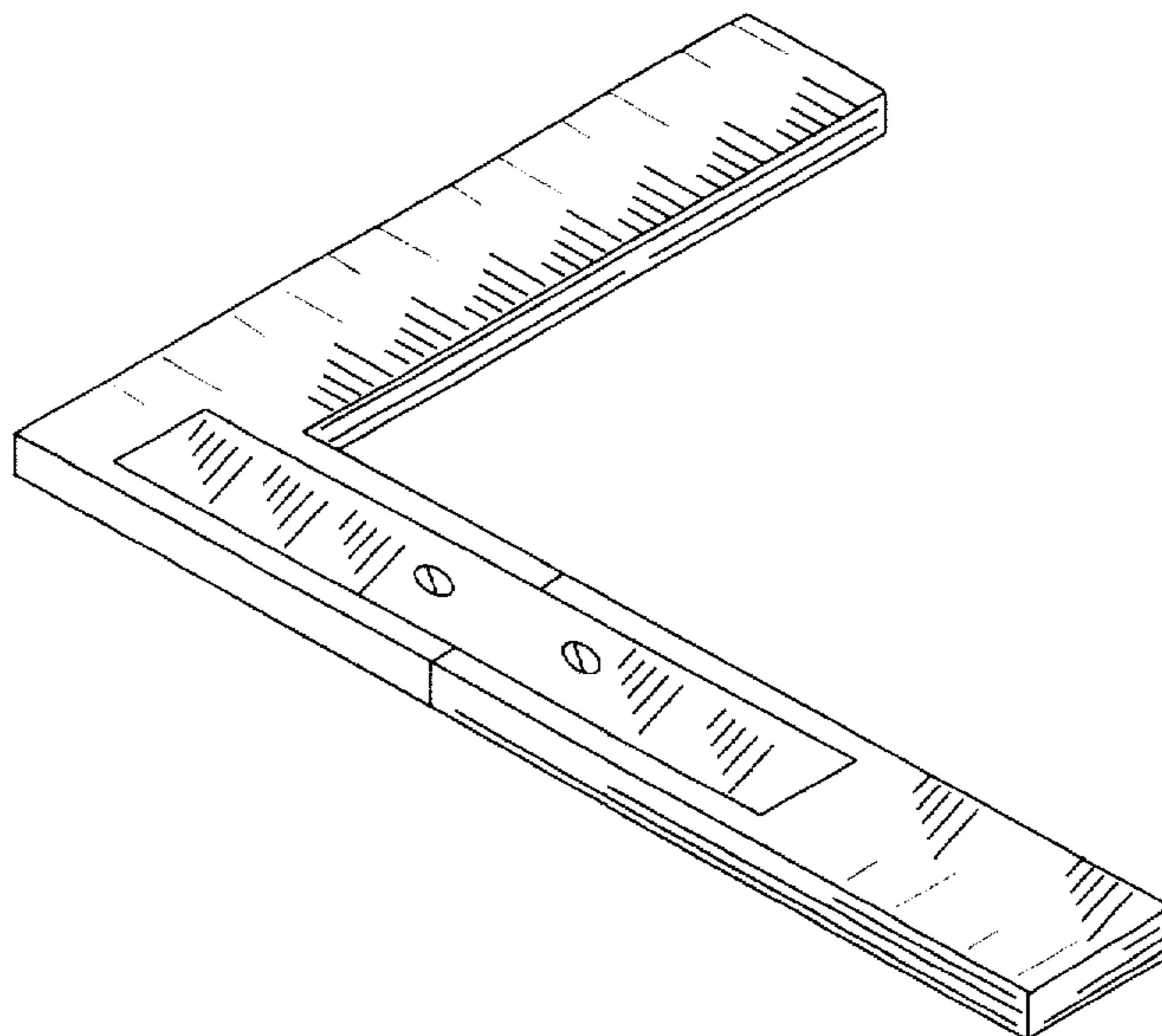
The ornamental design for a take-apart framing square, as shown and described.

**DESCRIPTION**

FIG. 1 is a top plan view showing my new design as assembled;  
FIG. 2 is a bottom plan view showing my new design as assembled;  
FIG. 3 is a front elevation view of my design as assembled;  
FIG. 4 is a rear elevation view of my new design as assembled;  
FIG. 5 is a left side elevation of my new design as assembled;  
FIG. 6 is a right side elevation of my new design as assembled;  
FIG. 7 is a perspective view of my new design as assembled;  
FIG. 8 is a top plan view of the angled portion of my new design as disassembled;

FIG. 9 is a bottom plan view of the angled portion of my new design as disassembled;  
FIG. 10 is a front elevation view of the angled portion of my new design as disassembled;  
FIG. 11 is a rear elevation view of the angled portion of my new design as disassembled;  
FIG. 12 is a left side elevation view of the angled portion of my new design as disassembled;  
FIG. 13 is a right side elevation of the angled portion of my new design as disassembled;  
FIG. 14 is a perspective view of the angled portion of my new design as disassembled;  
FIG. 15 is a top plan view of the straight portion of my new design as disassembled;  
FIG. 16 is a bottom plan view of the straight portion of my new design as disassembled;  
FIG. 17 is a front elevation view of the straight portion of my new design as disassembled;  
FIG. 18 is a rear elevation view of the straight portion of my new design as disassembled;  
FIG. 19 is a left side elevation view of the straight portion of my new design as disassembled, the right side being a mirror image thereof;  
FIG. 20 is a perspective view of the straight portion of my new design as disassembled;  
FIG. 21 is a top plan view of the joint portion of my new design as disassembled;  
FIG. 22 is a bottom plan view of the joint portion of my new design as disassembled;  
FIG. 23 is a front elevation view of the joint portion of my new design as disassembled, the rear elevation being a mirror image thereof;  
FIG. 24 is a left side elevation view of the joint portion of my new design as disassembled, the right side being a mirror image thereof; and,  
FIG. 25 is a perspective view of the joint portion of my new design as disassembled.

**1 Claim, 11 Drawing Sheets**



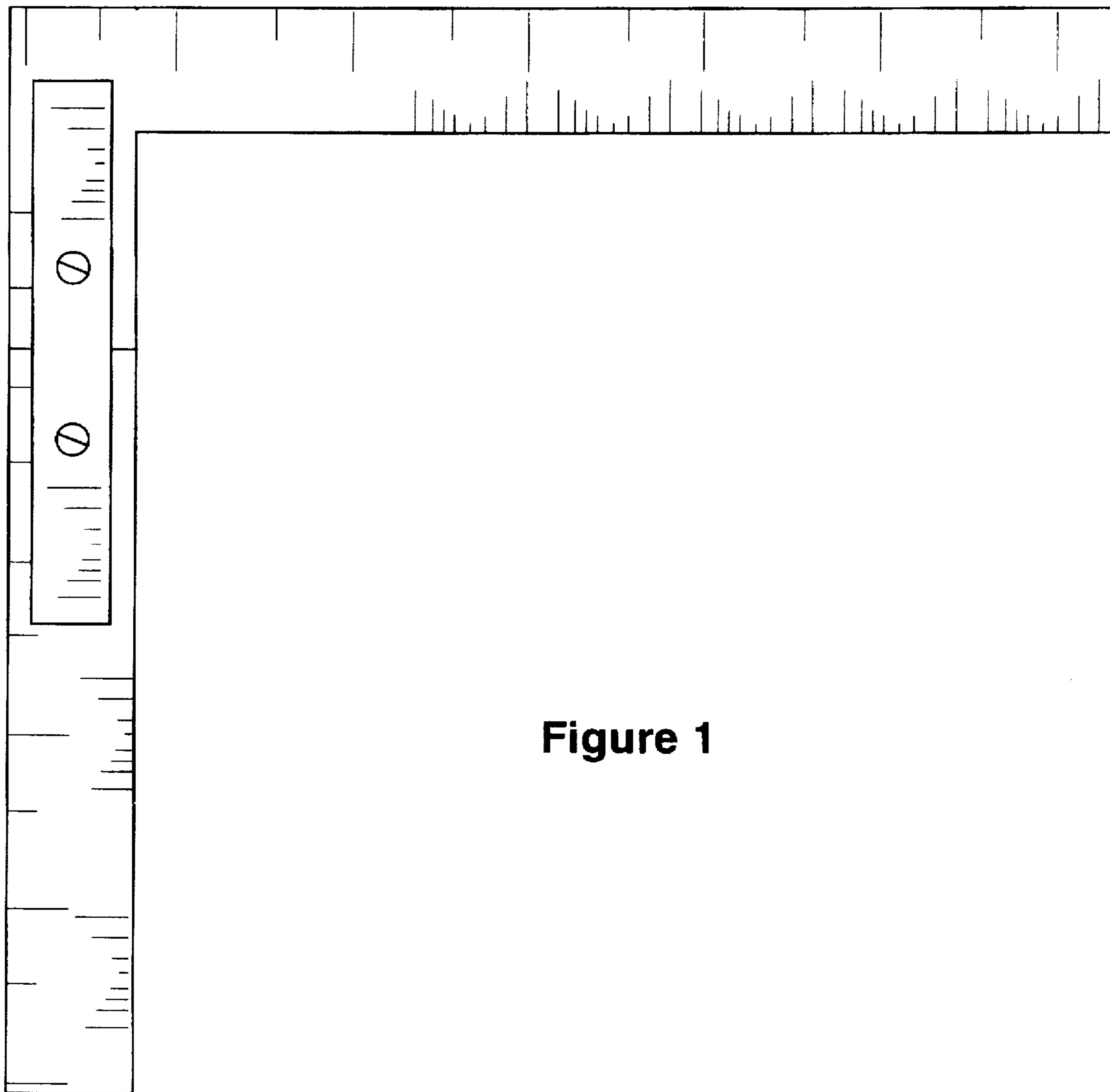
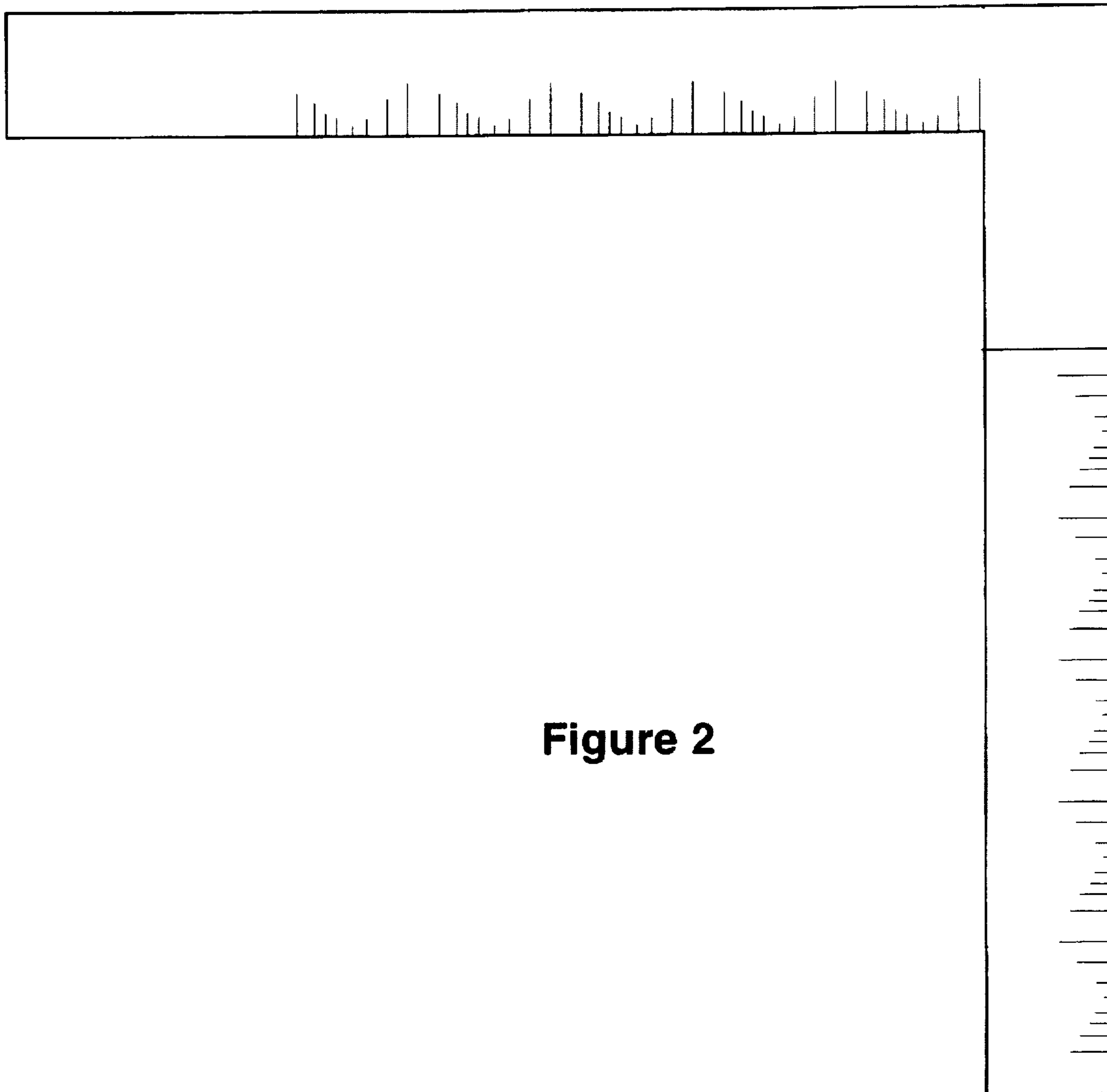


Figure 1



**Figure 2**

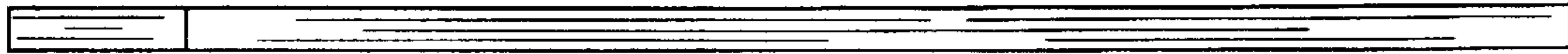


Figure 3

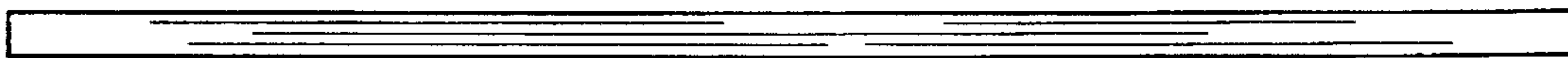


Figure 4



Figure 5

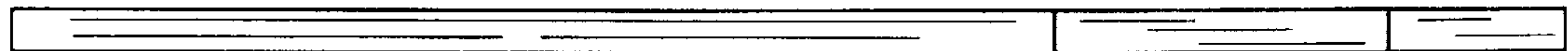


Figure 6

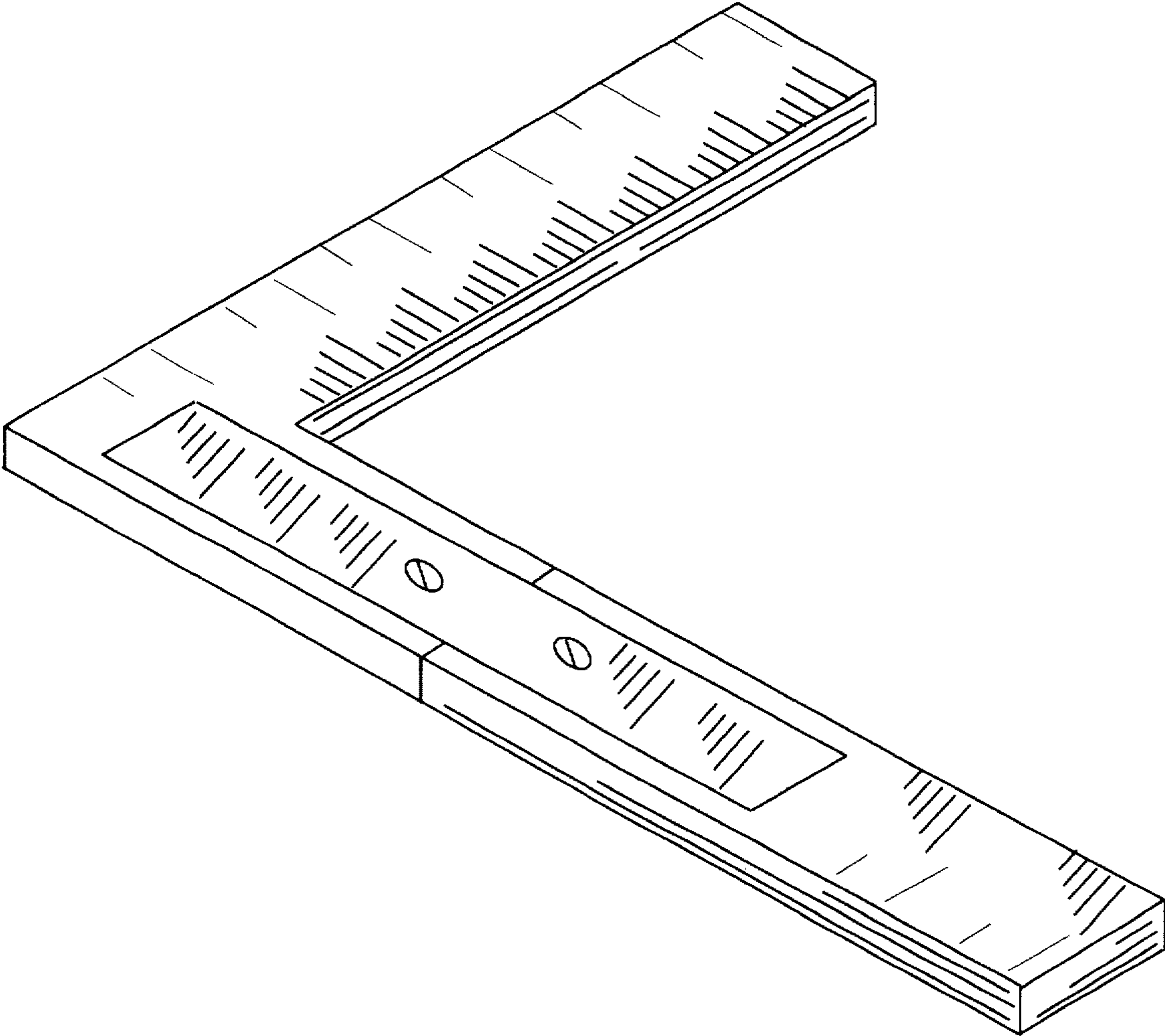


Figure 7

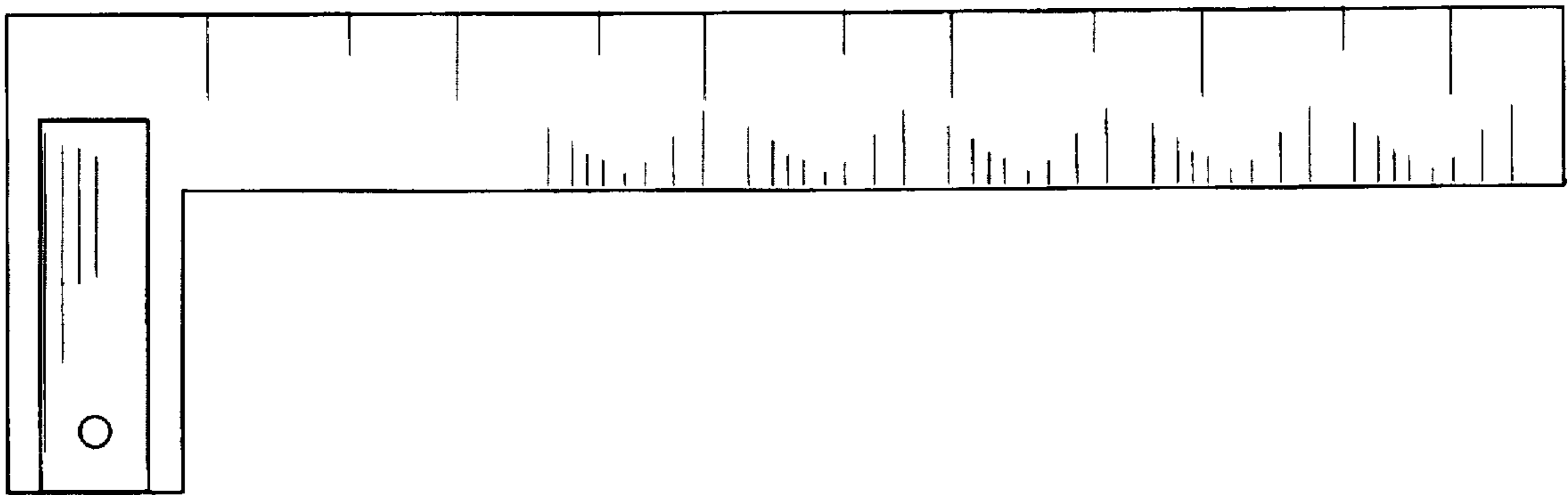


Figure 8

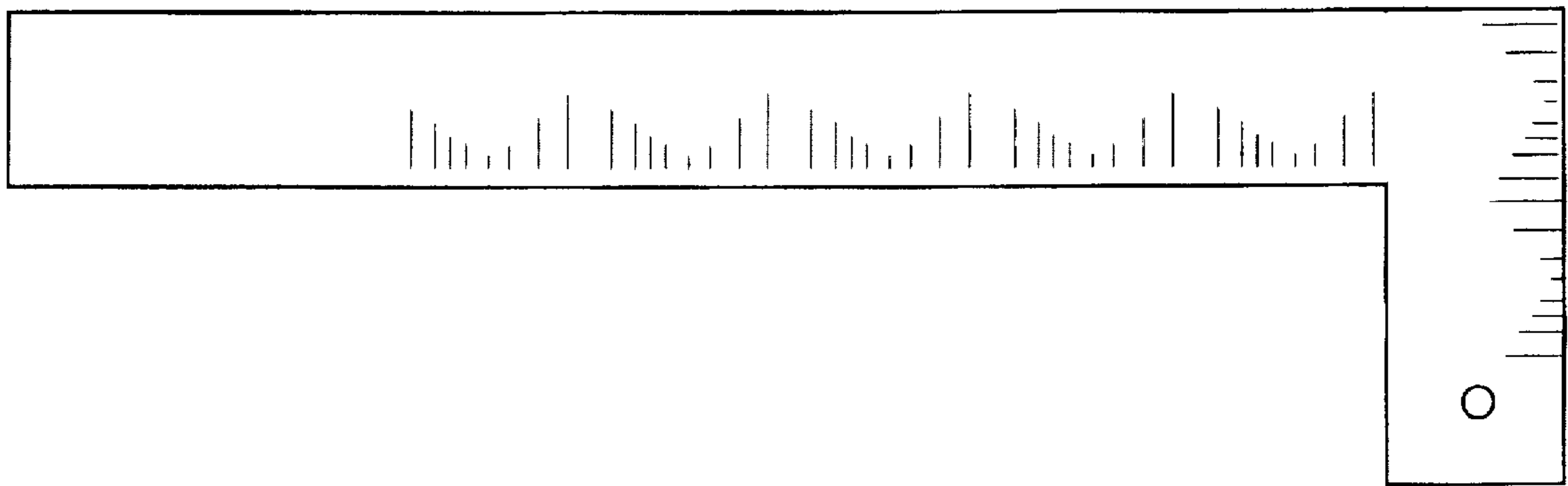
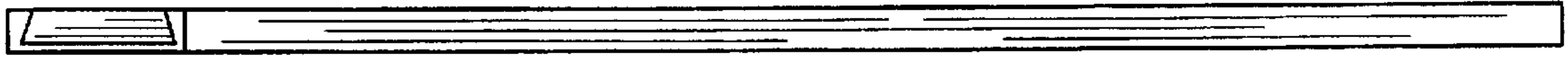
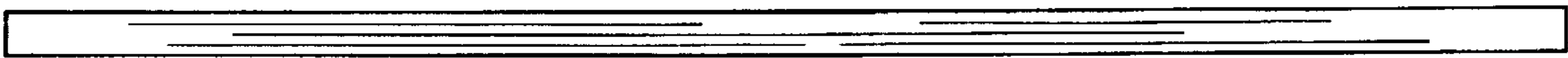


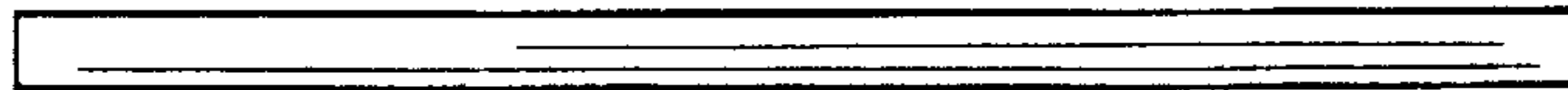
Figure 9



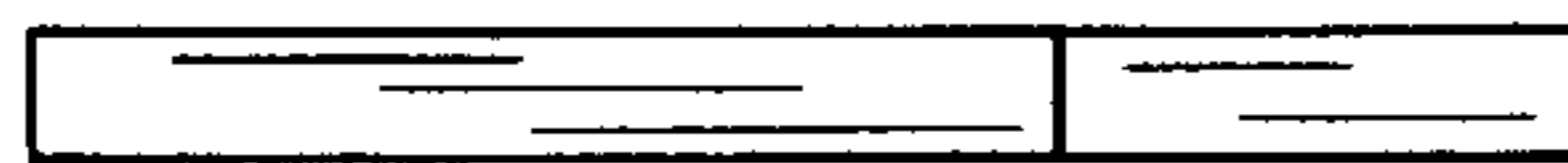
**Figure 10**



**Figure 11**



**Figure 12**



**Figure 13**

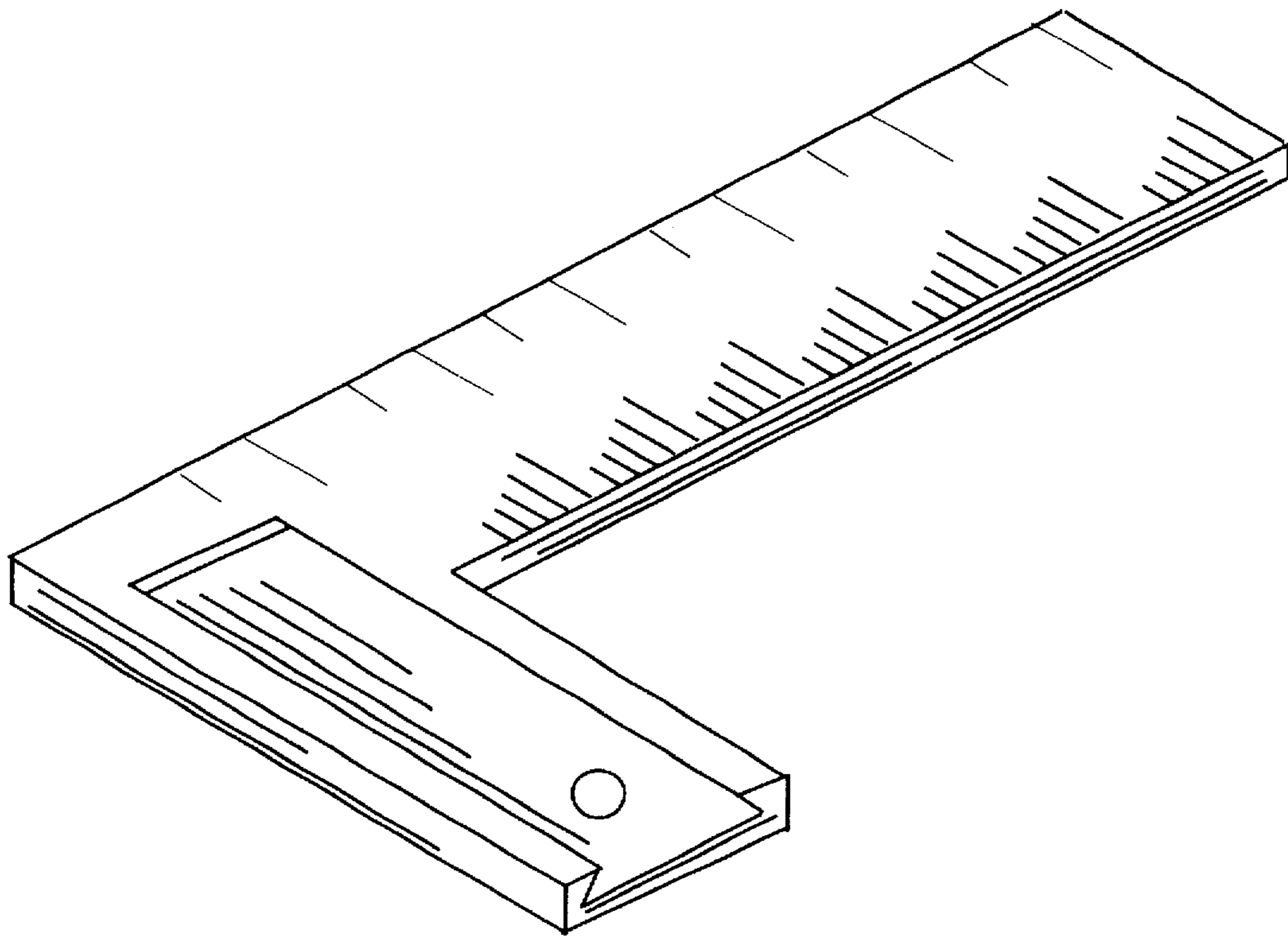


Figure 14



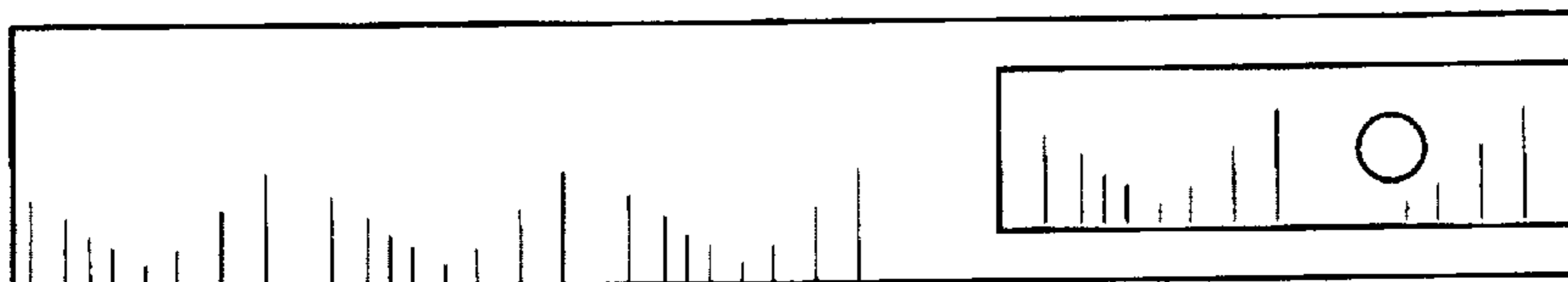


Figure 15

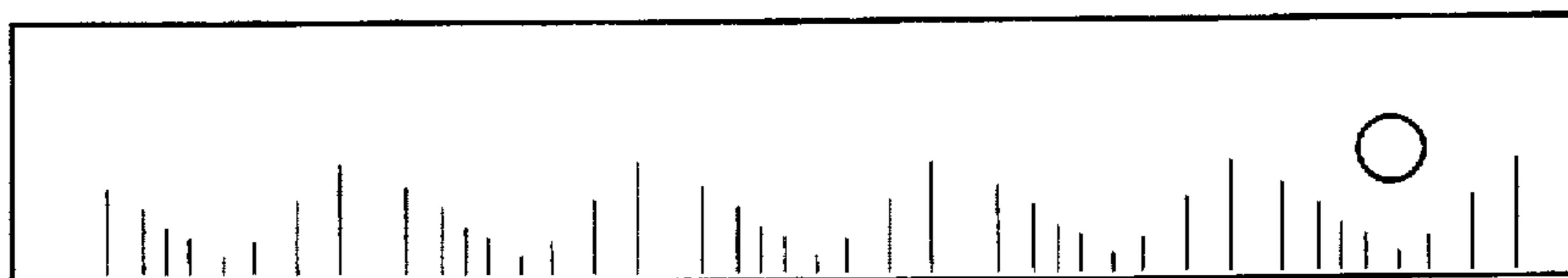


Figure 16



Figure 17

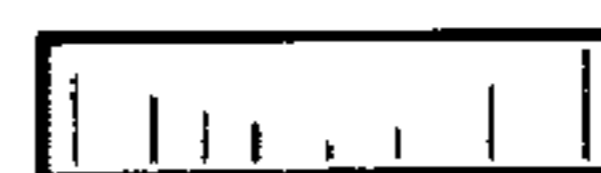


Figure 18

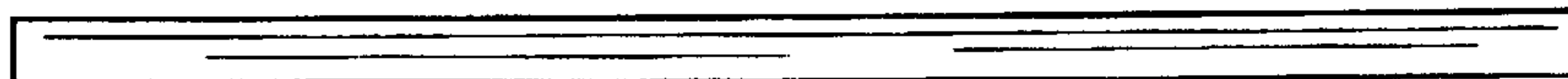


Figure 19

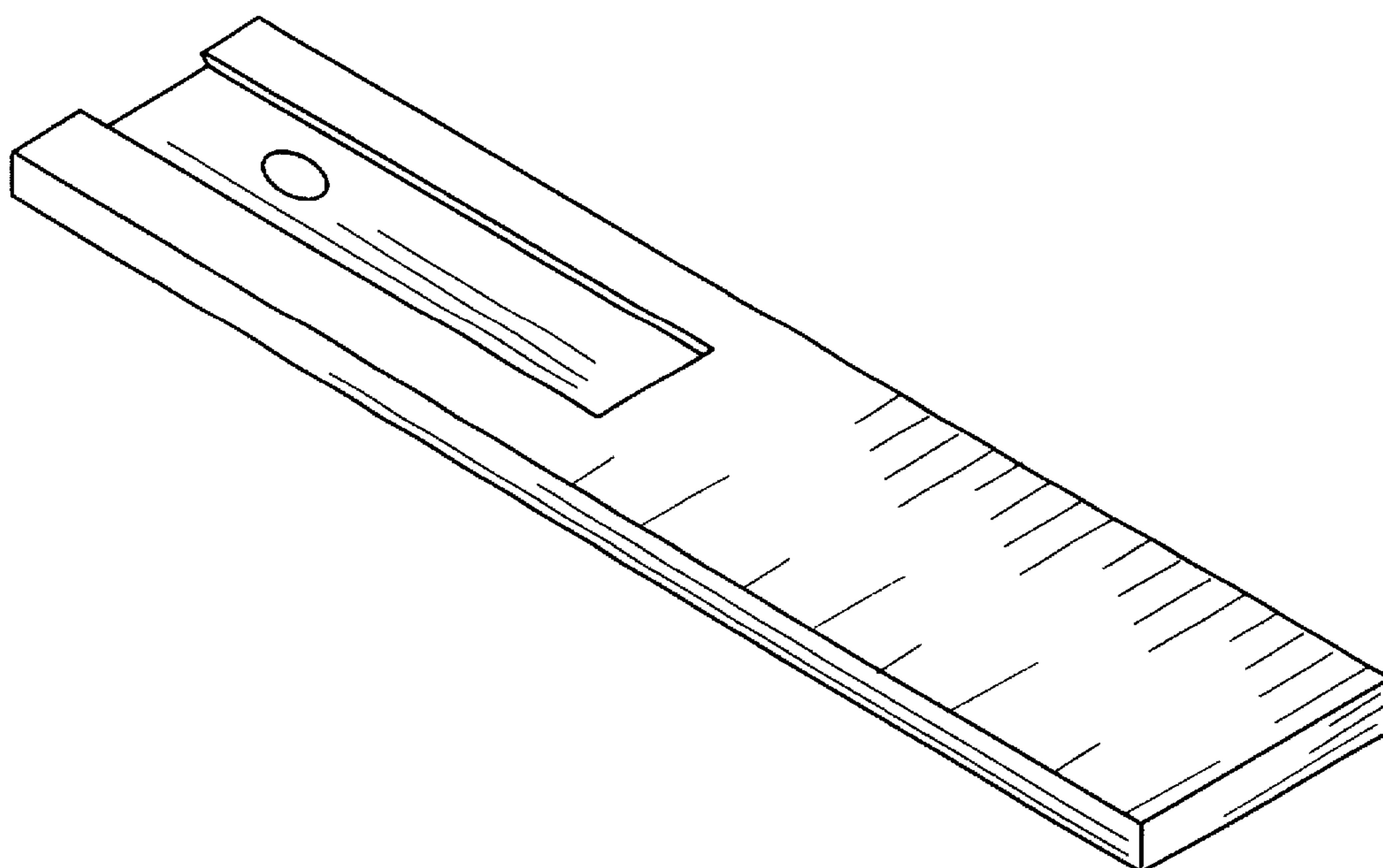


Figure 20

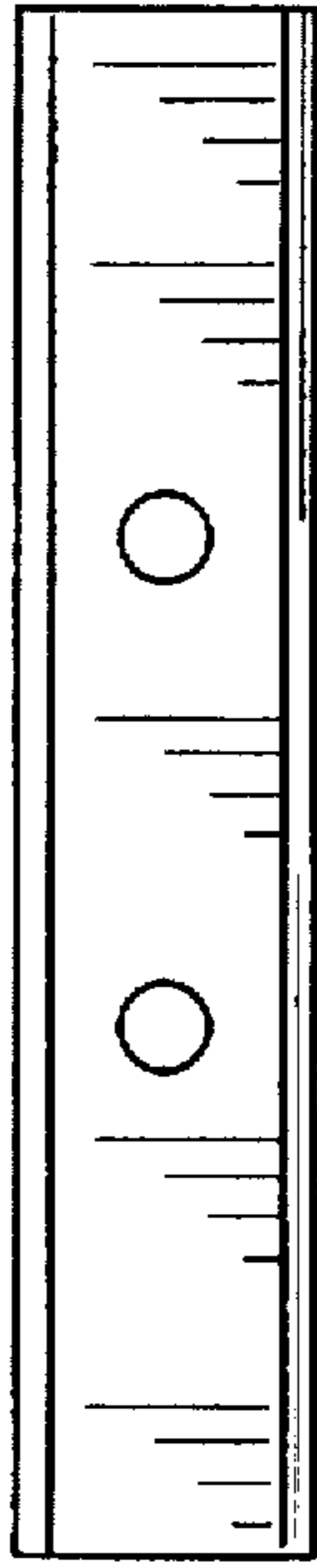


Figure 21



Figure 22

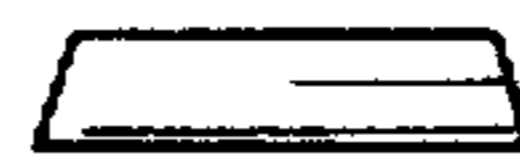


Figure 23

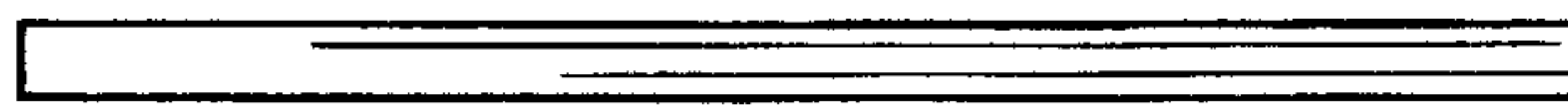


Figure 24

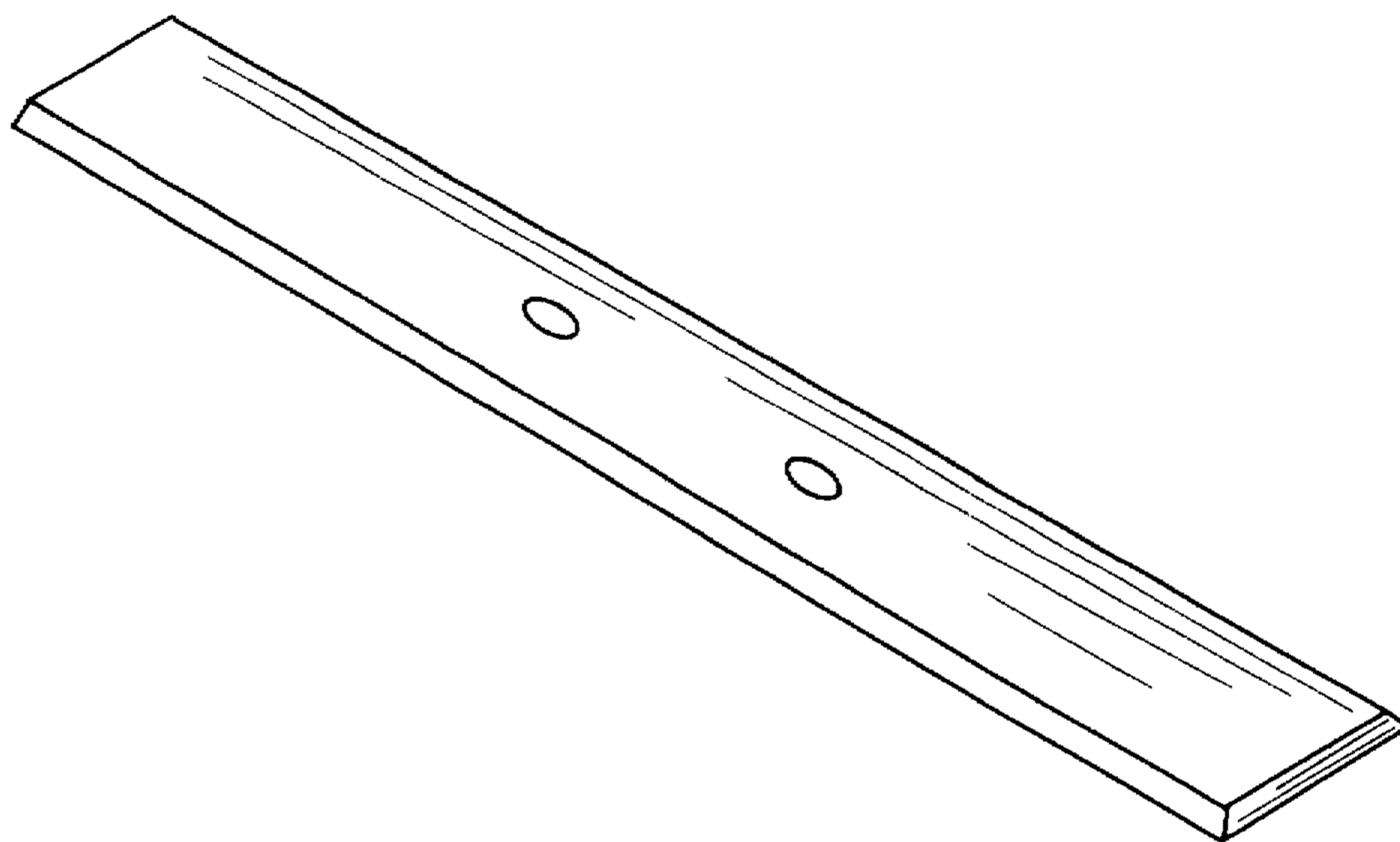


Figure 25