



US00D395248S

# United States Patent [19]

Fast et al.

[11] Patent Number: **Des. 395,248**

[45] Date of Patent: **\*\*Jun. 16, 1998**

[54] **MASONRY FIXTURE**

5,392,523 2/1995 Hurt ..... 33/408

[76] Inventors: **Dick A. Fast**, 426 Pleasant St.; **Darrell H. Hicks**, 1104 Lacey Lake Rd., both of Charlotte, Mich. 48813

*Primary Examiner*—Antoine Duval Davis  
*Attorney, Agent, or Firm*—Flynn, Thiel, Boutell & Tanis, P.C.

[\*\*] Term: **14 Years**

### [57] CLAIM

[21] Appl. No.: **48,140**

The ornamental design for a masonry fixture, as shown and described.

[22] Filed: **Dec. 20, 1995**

### DESCRIPTION

[51] LOC (6) Cl. .... **10-04**

[52] U.S. Cl. .... **D10/65**

[58] Field of Search ..... D10/64, 65; 33/406-413, 33/518

FIG. 1 is a top, front, right isometric view of a masonry fixture embodying the inventive design;

FIG. 2 is a front view thereof;

FIG. 3 is a rear view thereof;

FIG. 4 is a right view thereof;

FIG. 5 is a left view thereof;

FIG. 6 is a top view thereof; and,

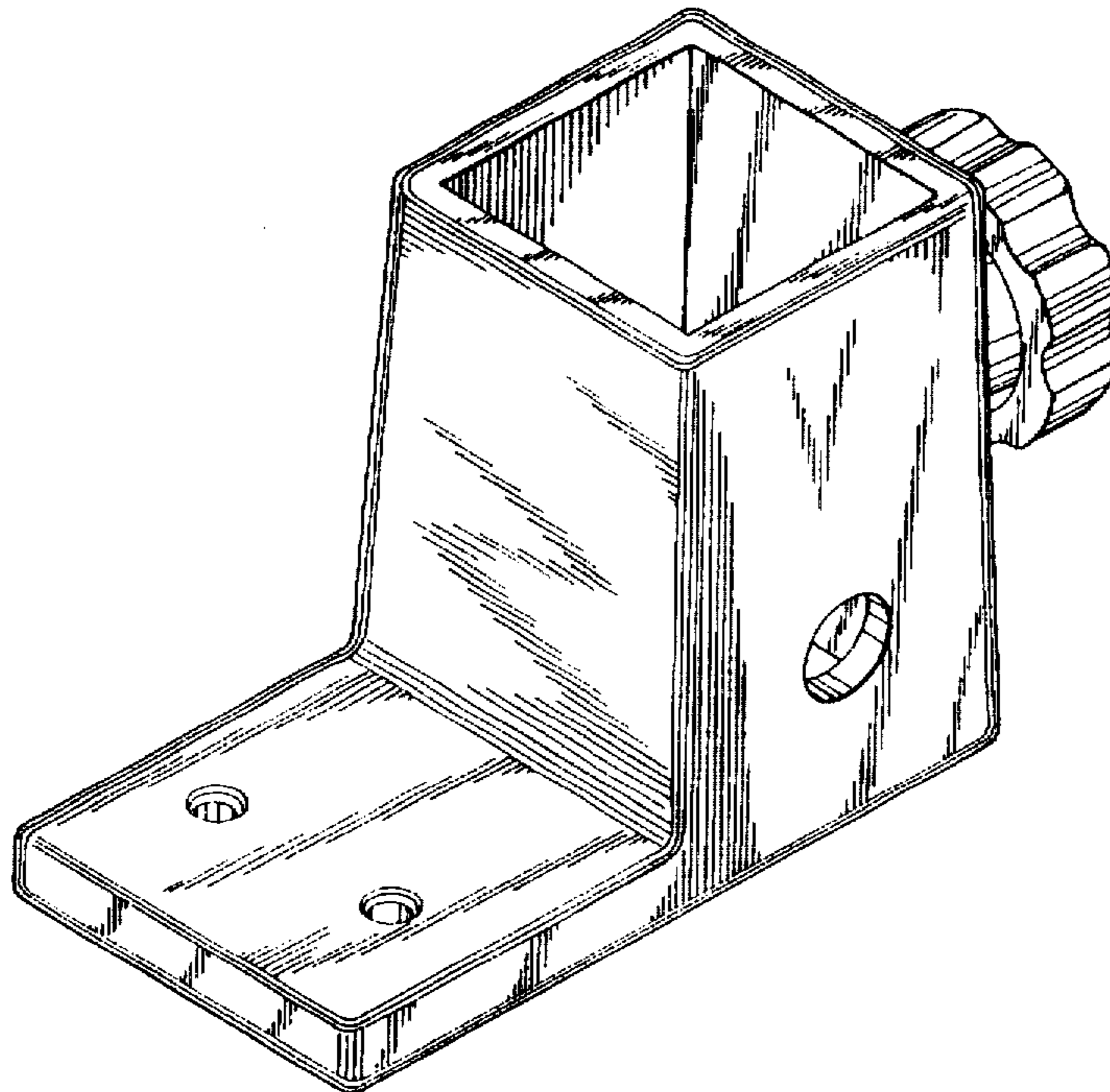
FIG. 7 is a bottom view thereof.

### [56] References Cited

#### U.S. PATENT DOCUMENTS

D. 196,142	8/1963	Storm	.....	D8/394
D. 347,798	6/1994	Tindoll	.....	D10/65
3,555,688	1/1971	Smathers	.....	33/408

**1 Claim, 2 Drawing Sheets**



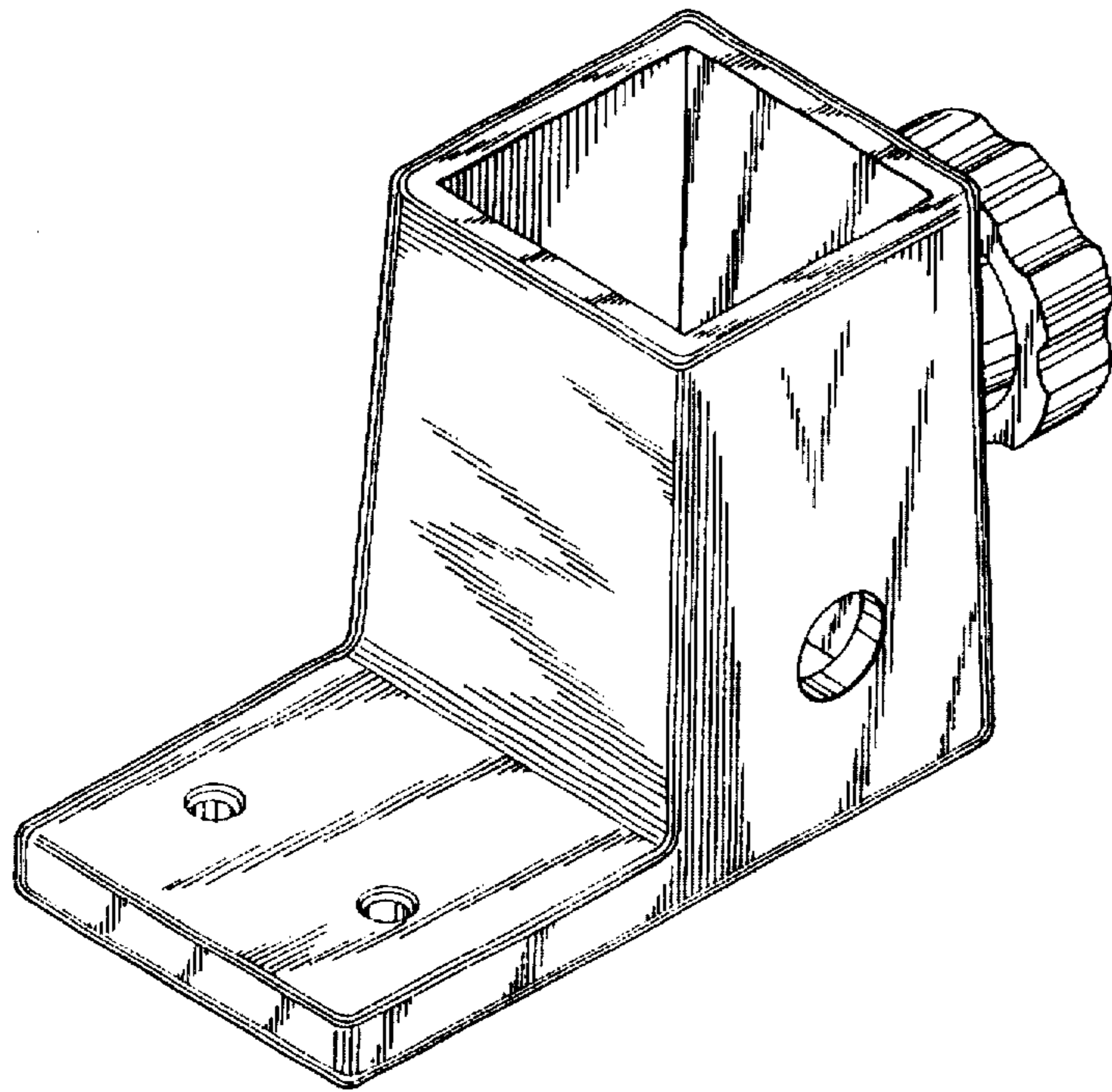


FIG. 1

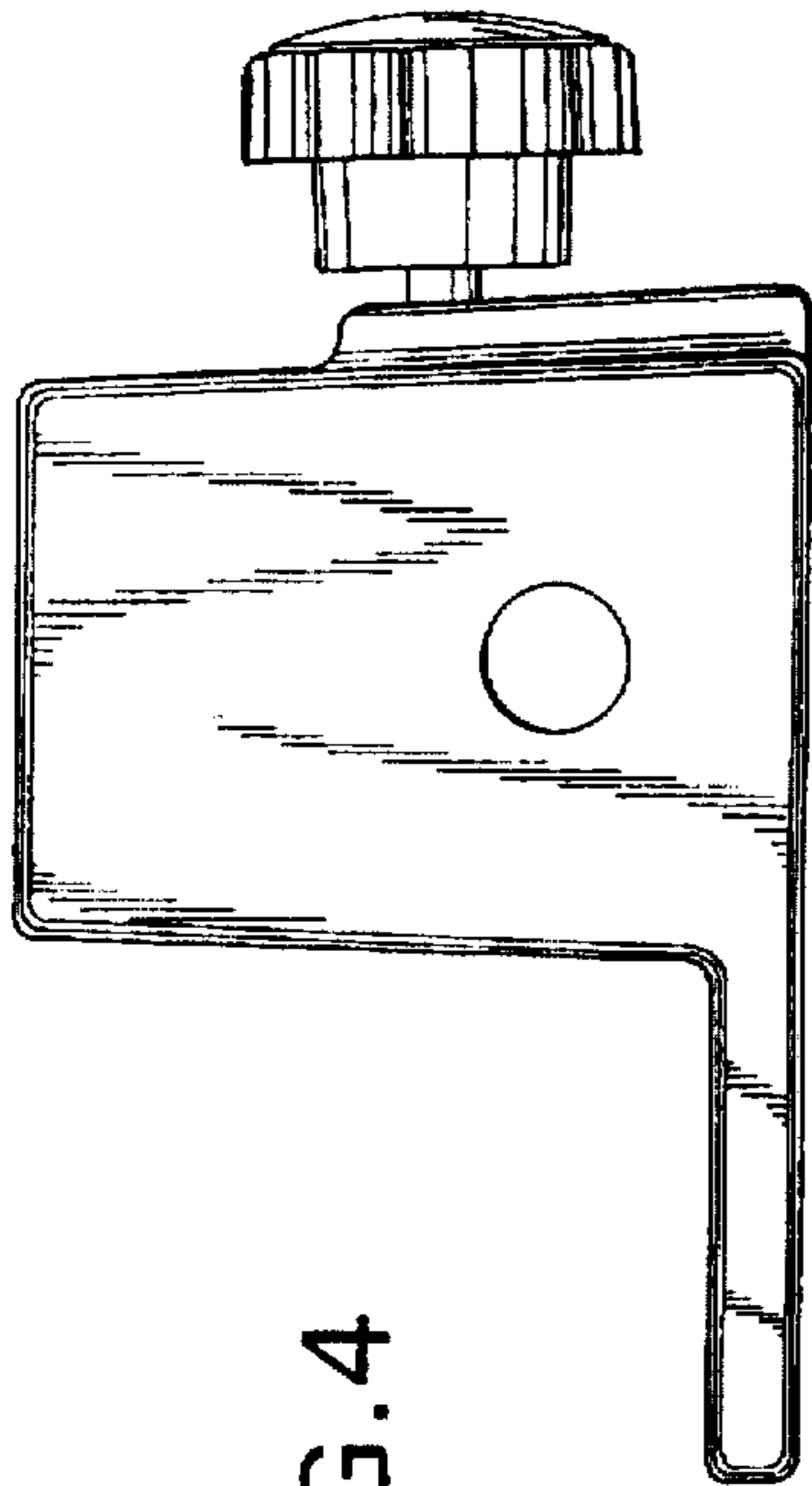


FIG. 4

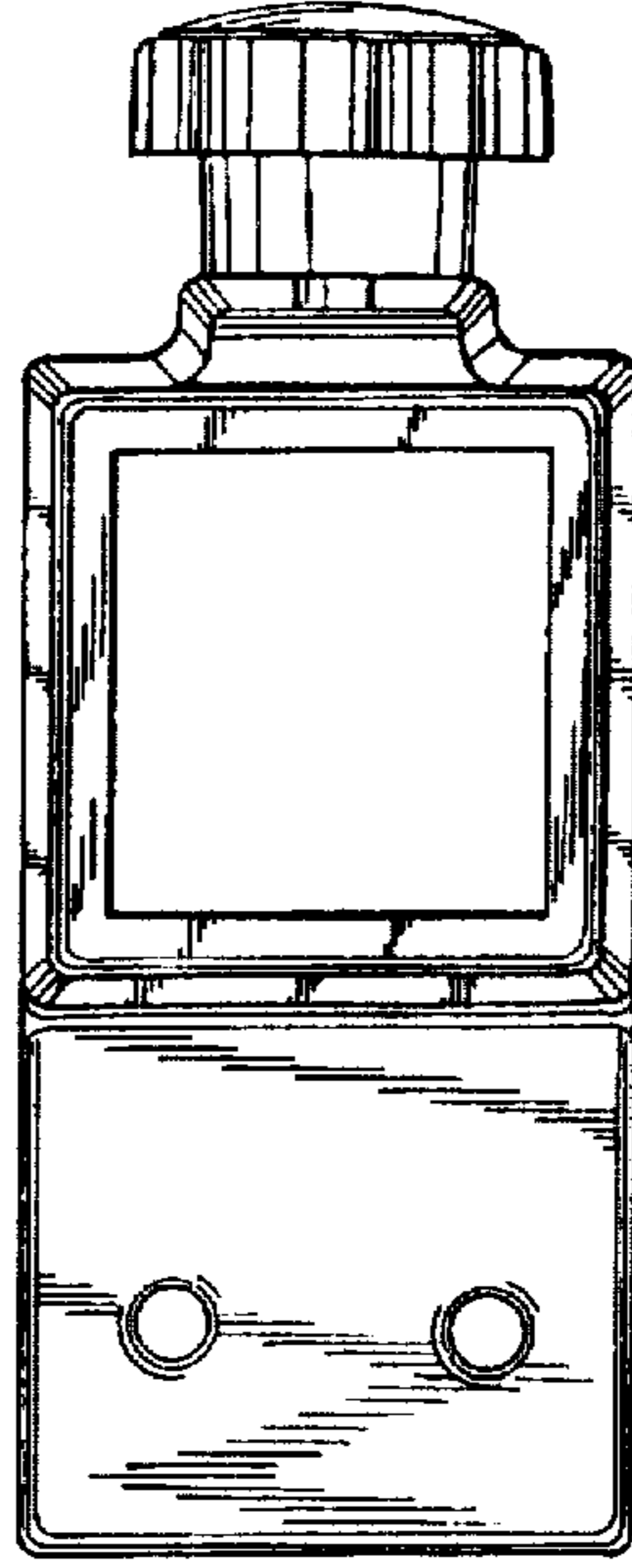


FIG. 6

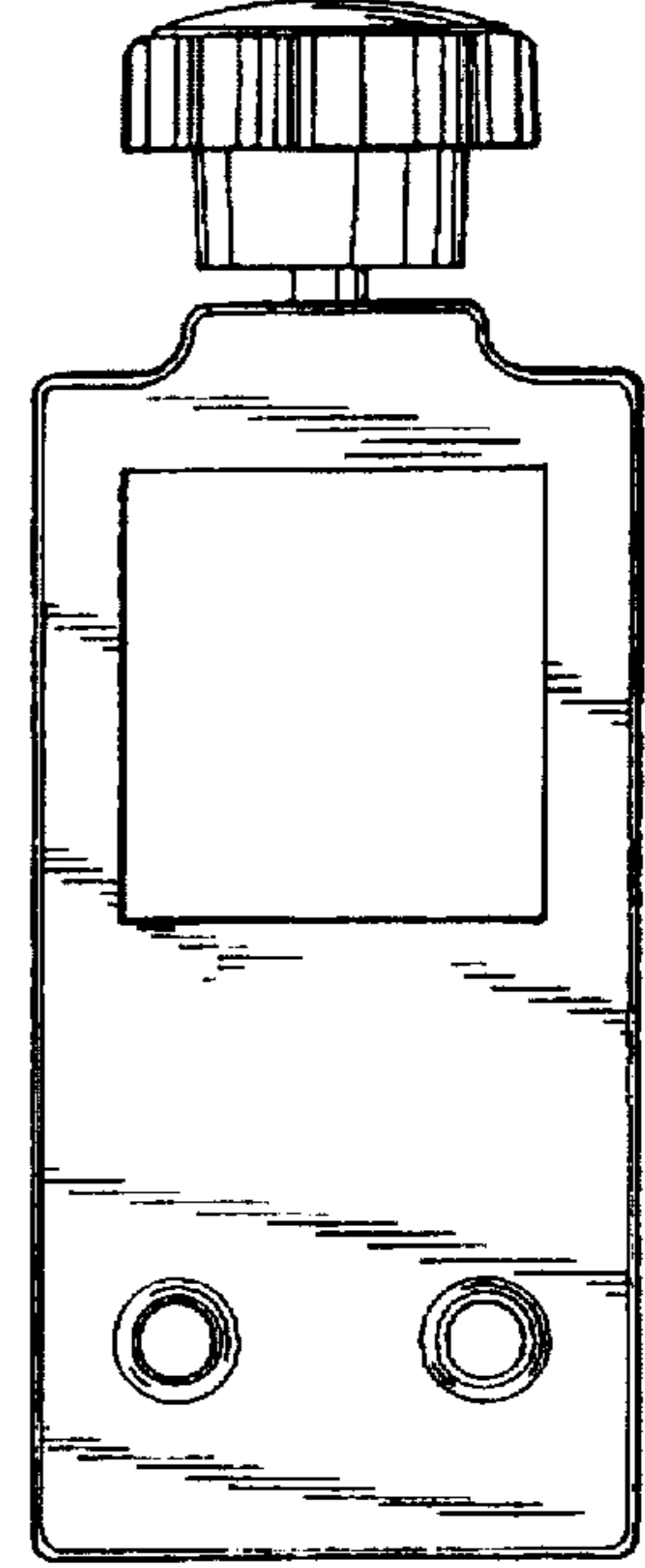


FIG. 7

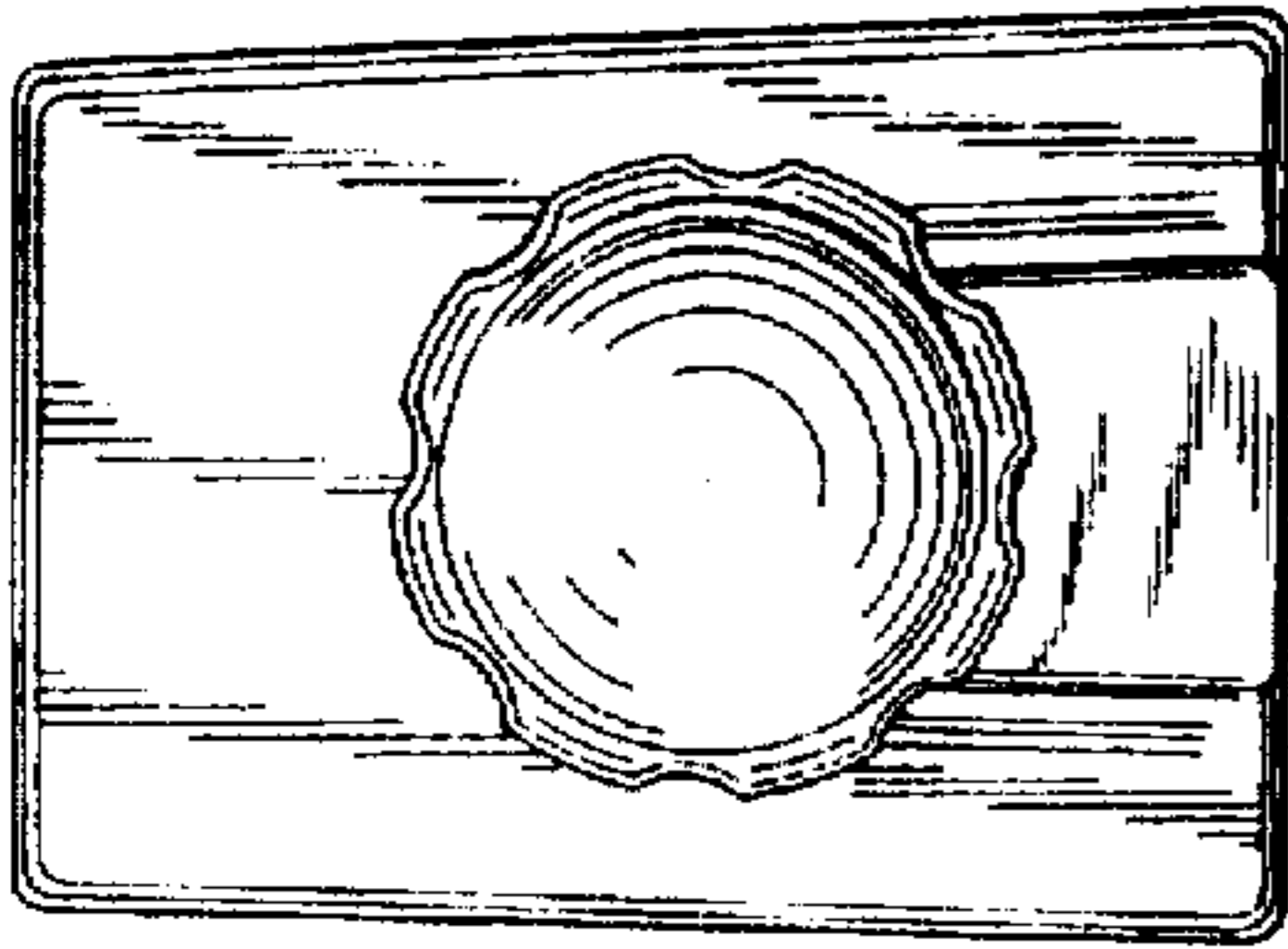


FIG. 3

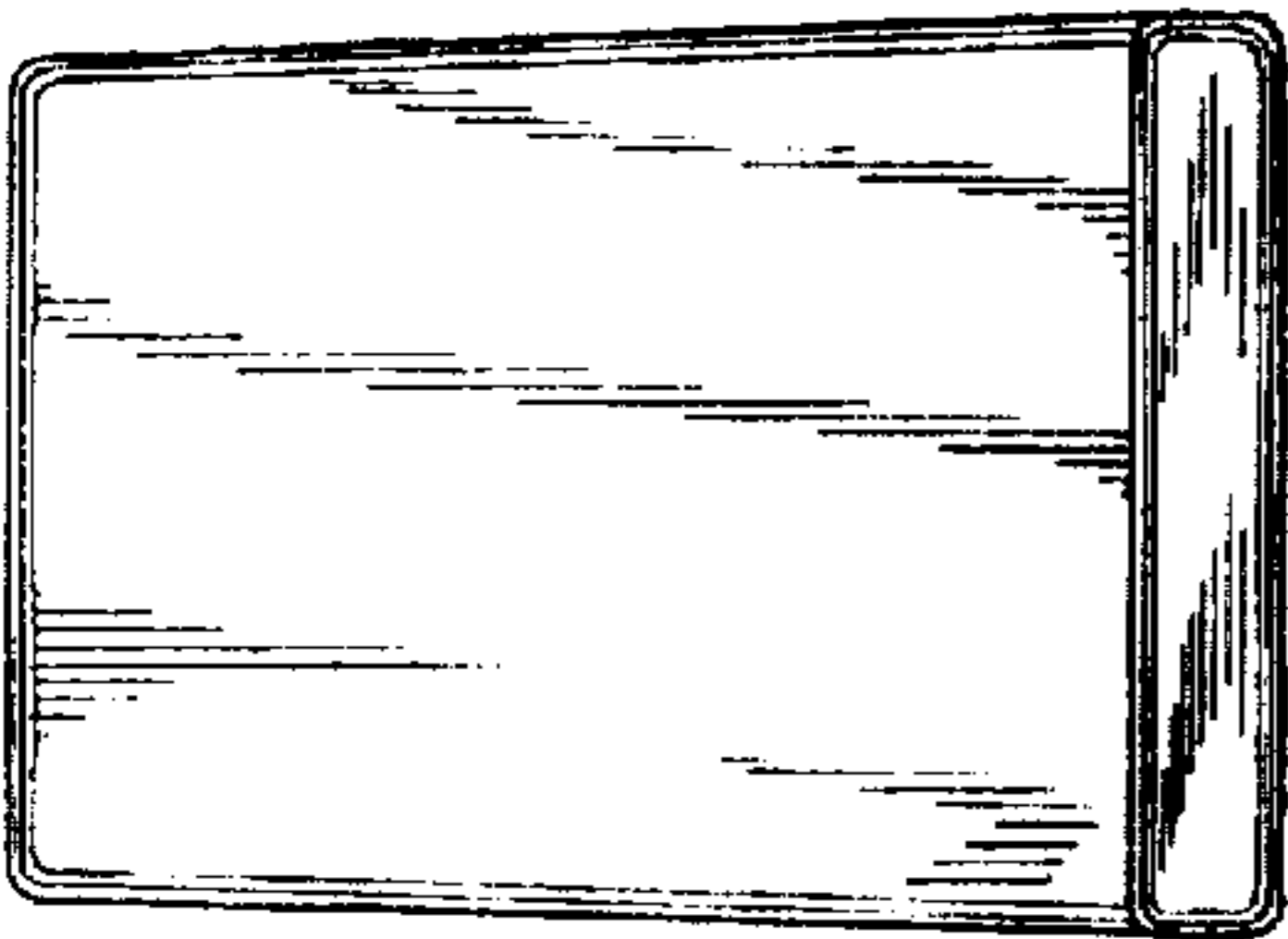


FIG. 2

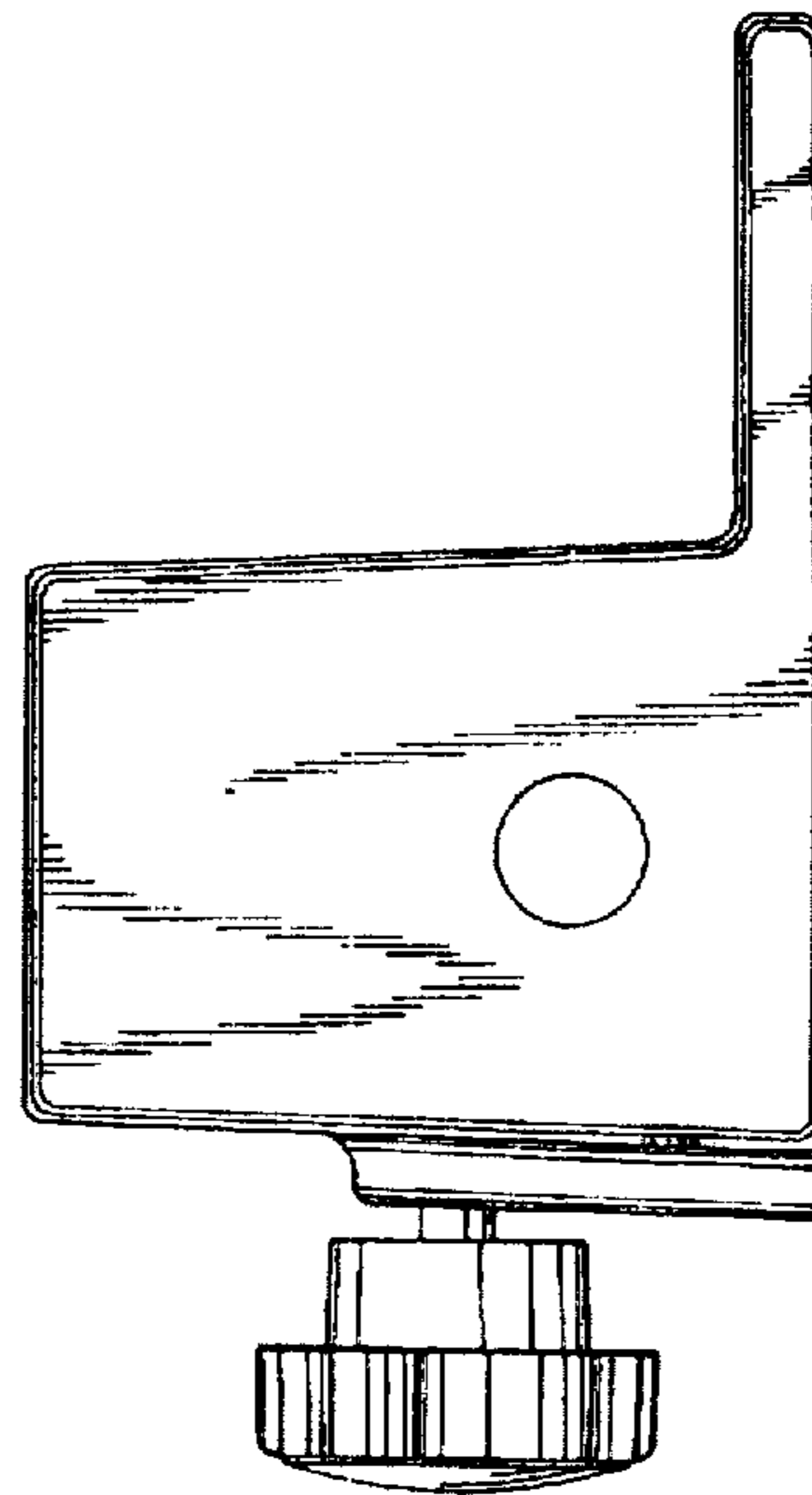


FIG. 5