



US00D395238S

United States Patent [19]
Freitas

[11] **Patent Number:** **Des. 395,238**
[45] **Date of Patent:** ****Jun. 16, 1998**

[54] **PAIN T CAN HOLDER**
[75] **Inventor:** **Raymond A. Freitas**, 851 Iredell St.,
Akron, Ohio 44310
[73] **Assignees:** **Raymond A. Freitas; William F. Klug**,
both of Akron, Ohio
[**] **Term:** **14 Years**

4,549,562	10/1985	Ossi	134/138
4,599,968	7/1986	Ryder et al.	118/305
4,993,675	2/1991	Walker	220/737
5,190,303	3/1993	Schumacher et al.	280/38
5,316,251	5/1994	McGraw	248/210
5,390,888	2/1995	Rogers	248/318
5,492,246	2/1996	Bailey	220/737
5,570,807	11/1996	Busch	220/756
5,655,805	8/1997	Shaddy	220/738

[21] **Appl. No.:** **76,222**
[22] **Filed:** **Aug. 26, 1997**

Primary Examiner—Alan P. Douglas
Assistant Examiner—Robin V. Taylor
Attorney, Agent, or Firm—Porter, Wright, Morris & Arthur

[51] **LOC (6) CL** **09-07**
[52] **U.S. Cl.** **D9/455**
[58] **Field of Search** **D9/455; D32/53-54;**
220/694-702, 733, 737, 738

[57] **CLAIM**
The ornamental design for a paint can holder, as shown.

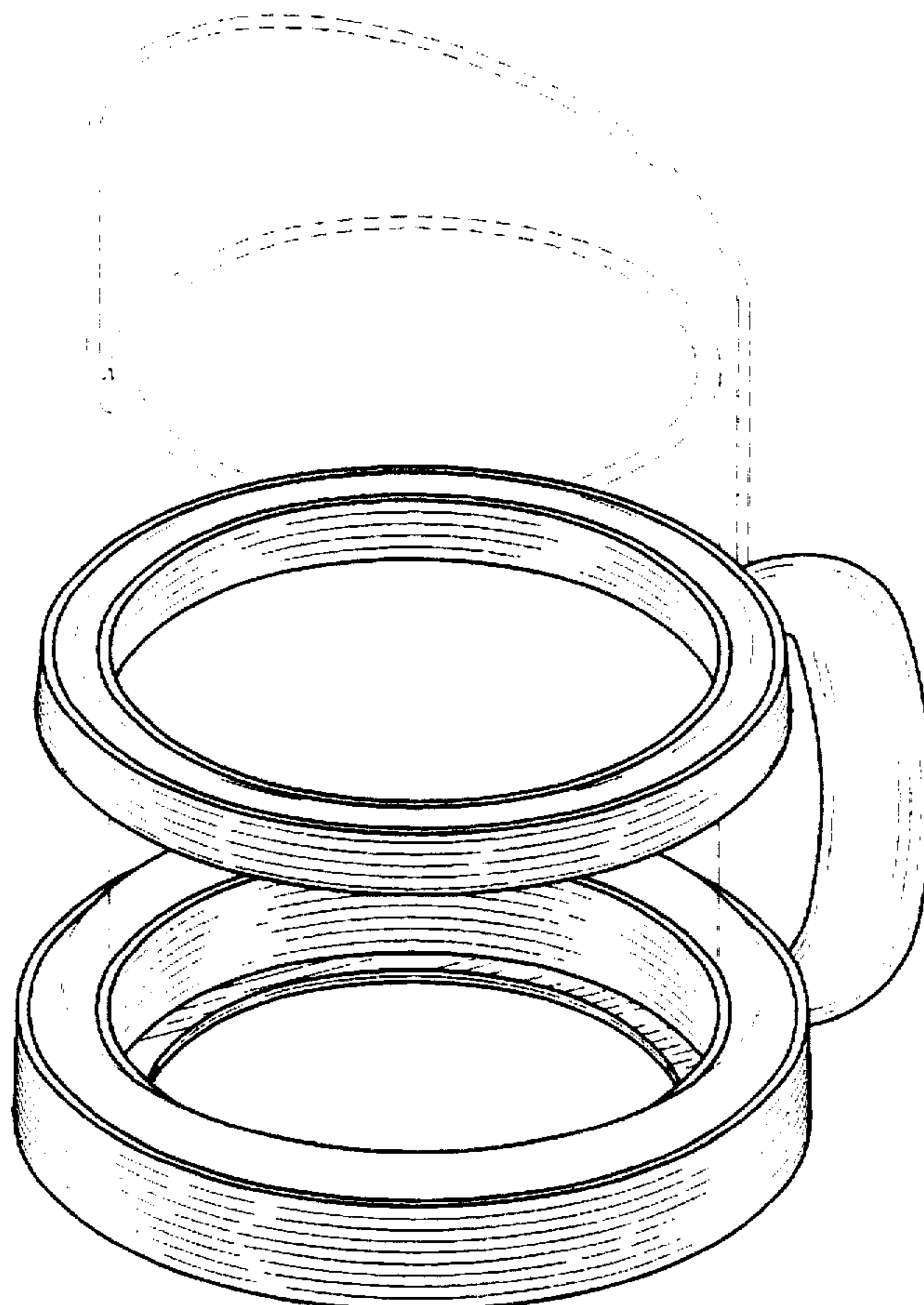
[56] **References Cited**

U.S. PATENT DOCUMENTS

D. 291,168	8/1987	Cranford	D9/455
D. 291,184	8/1987	Baril	D9/455
D. 343,266	1/1994	Gromer	D32/54
D. 353,242	12/1994	McCoy et al.	D32/54
2,685,992	8/1954	Cornell	220/737
4,407,584	10/1983	Boudin et al.	366/279
4,519,565	5/1985	Whitmore	248/237

DESCRIPTION
FIG. 1: Elevated perspective view of paint can holder of the present invention;
FIG. 2: Side view of paint can holder of the present invention; and,
FIG. 3: End view of paint can holder of the present invention.
The broken line showing of a paint can is for illustrative purposes only and forms no part of the claimed design.

1 Claim, 3 Drawing Sheets



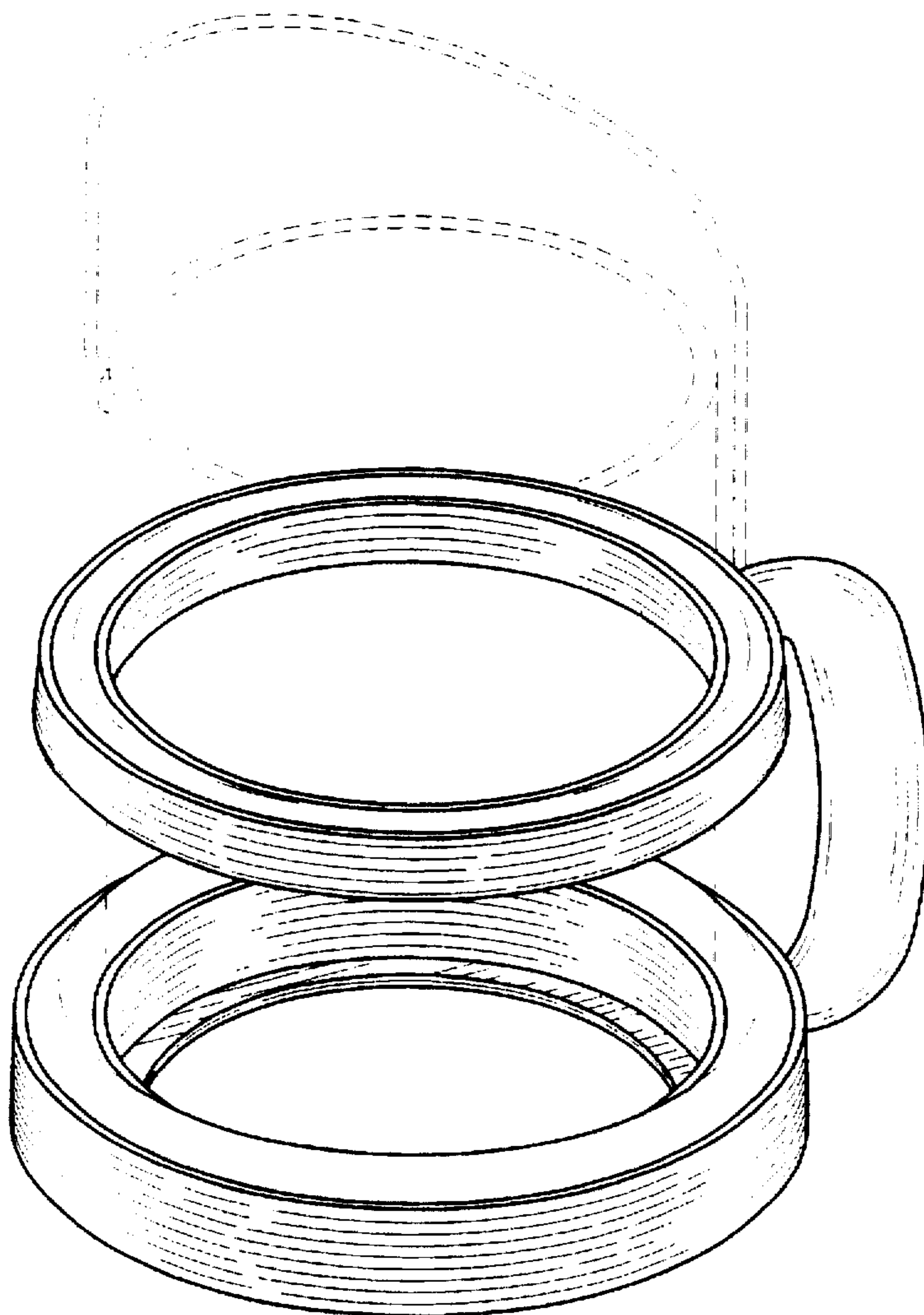


FIG. 1

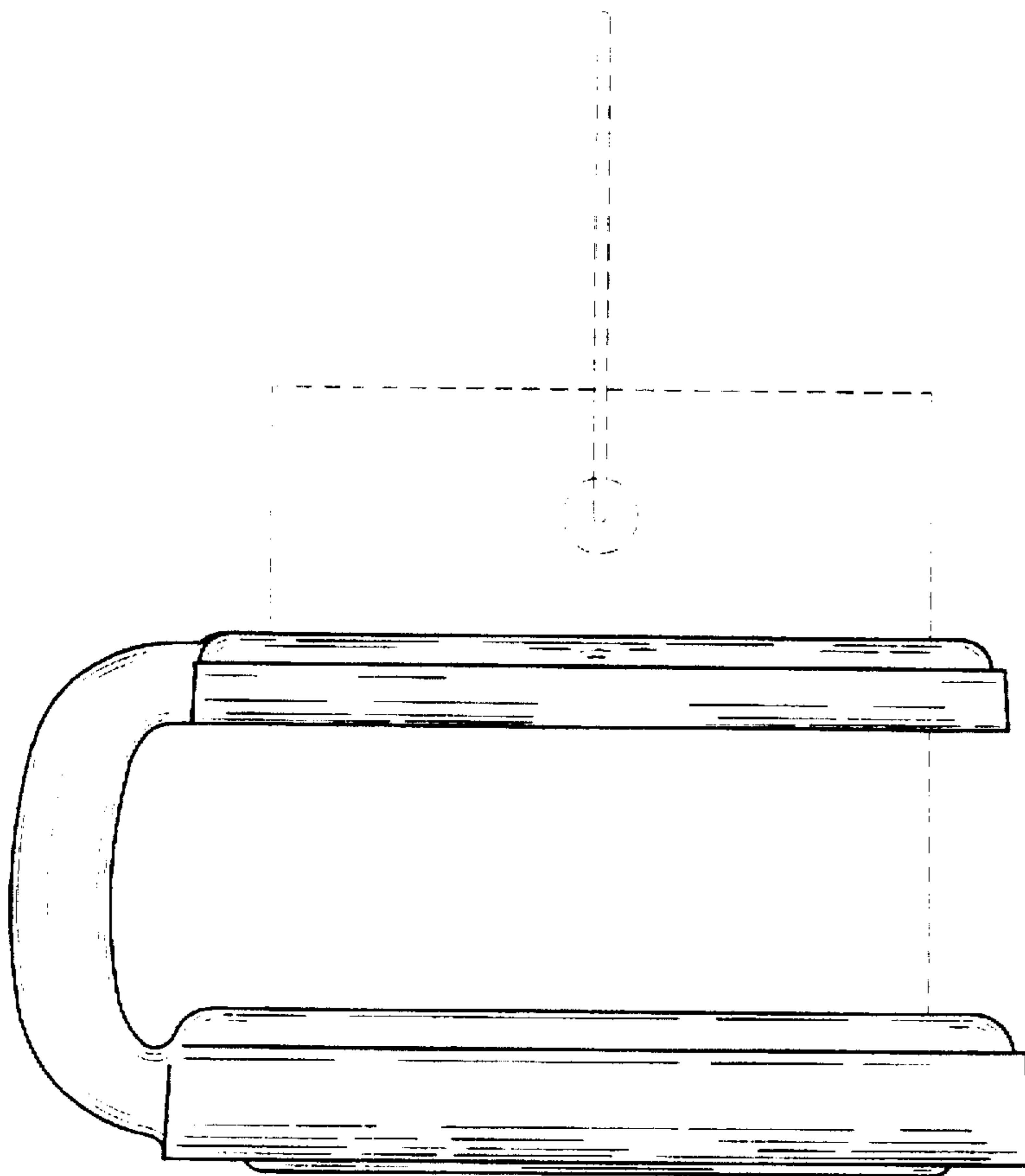


FIG. 2

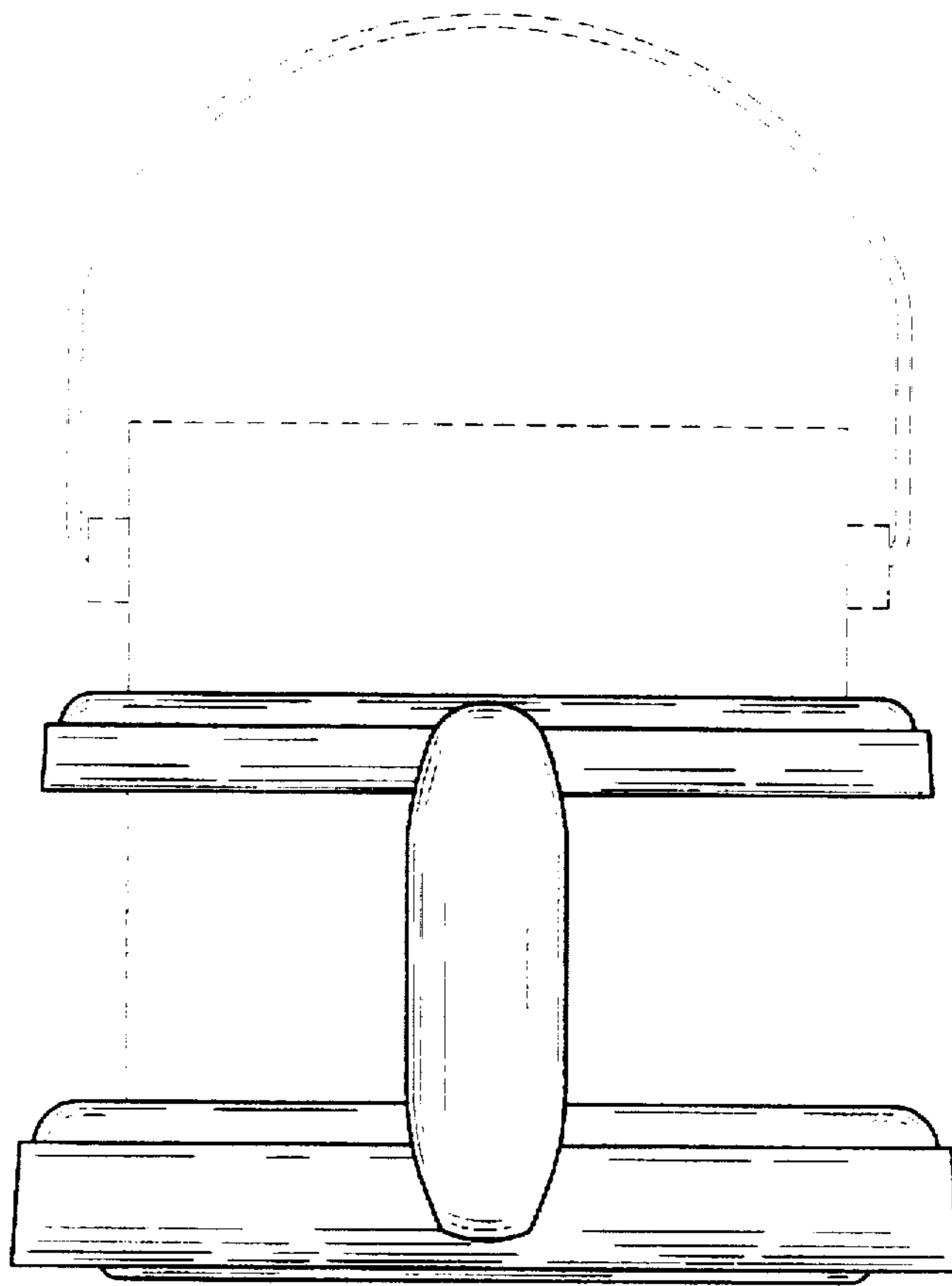


FIG. 3.