



US00D395236S

# United States Patent [19]

Doi

[11] Patent Number: Des. 395,236

[45] Date of Patent: \*\*Jun. 16, 1998

[54] LINED BOX

5,363,980 11/1994 Mulcahy ..... 220/462 X  
5,562,227 10/1996 Takezawa et al. .... 220/462 X

[76] Inventor: Alfred Doi, 19471 Sierra Chula Rd.,  
Irvine, Calif. 92715

Primary Examiner—Ted Shooman  
Assistant Examiner—Nanda Bondade  
Attorney, Agent, or Firm—Stetina Brunda Garred &  
Brucker

[\*\*] Term: 14 Years

[21] Appl. No.: 74,335

### [57] CLAIM

[22] Filed: Jul. 29, 1997

The ornamental design for a lined box, as shown and described.

[51] LOC (6) Cl. .... 09-07

[52] U.S. Cl. .... D9/432; D9/433

[58] Field of Search ..... D9/346, 414, 432,  
D9/433; D3/305, 315; 206/594; 220/462;  
229/23 BT, 125.19

### DESCRIPTION

### [56] References Cited

#### U.S. PATENT DOCUMENTS

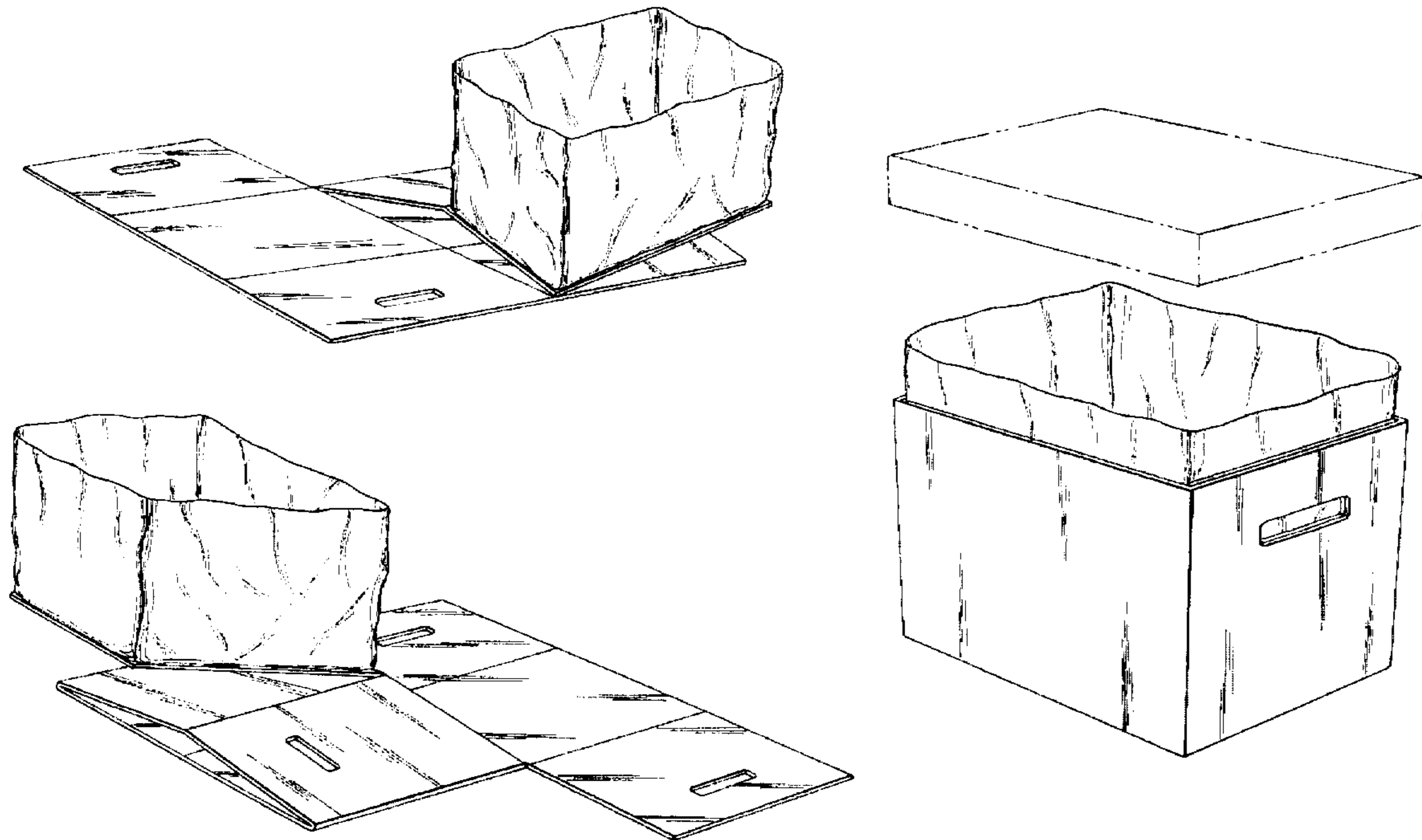
- D. 315,098 3/1991 Hutcheson ..... D9/432 X
- D. 329,199 9/1992 Corso ..... D9/432
- 3,888,406 6/1975 Nippes ..... 220/462 X
- 4,197,963 4/1980 Nerenberg ..... 220/462
- 4,717,070 1/1988 Taub ..... 229/125.19 X
- 4,979,547 12/1990 Hoerner ..... 229/117 X

FIG. 1 is a front perspective view of the invention in collapsed form;

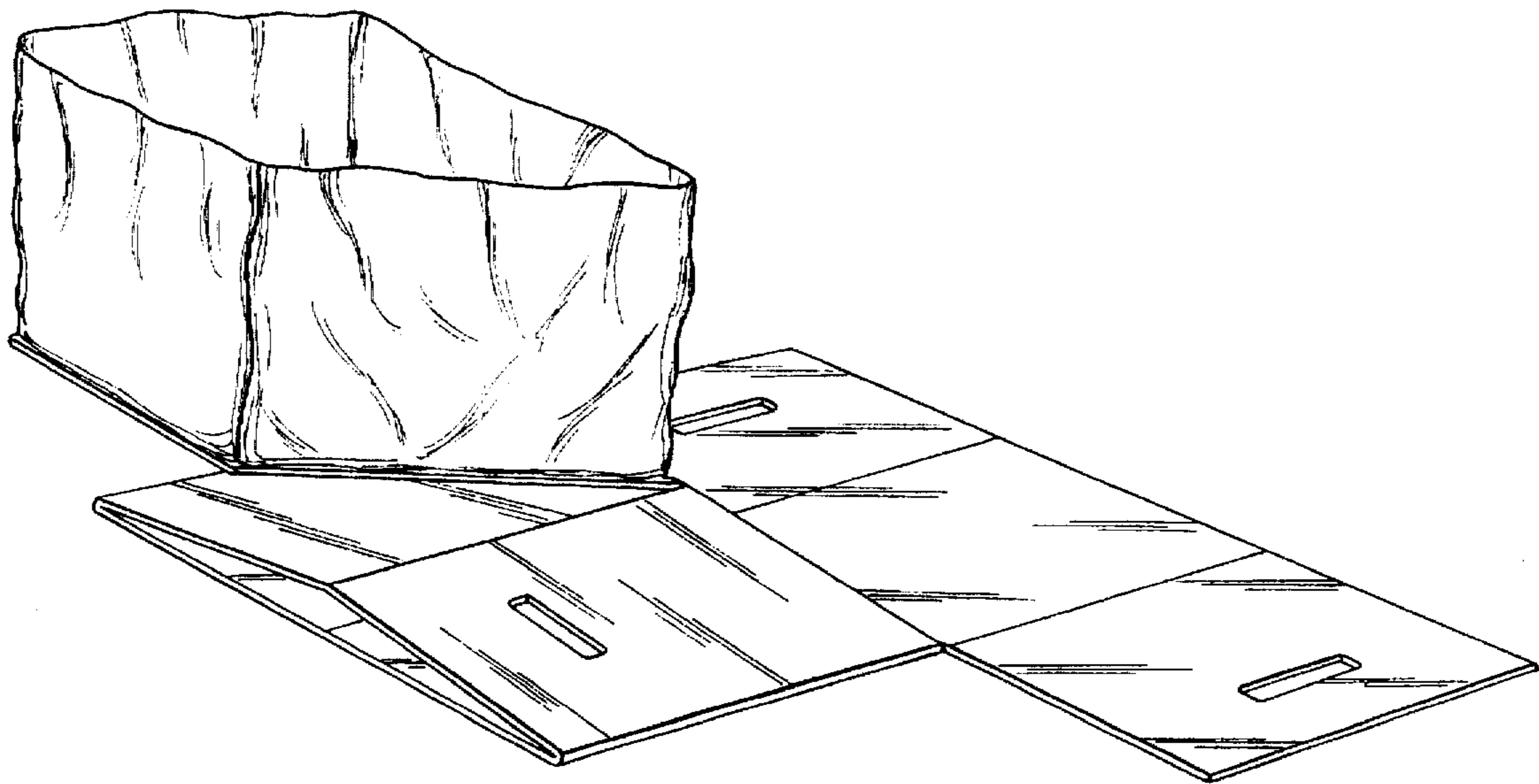
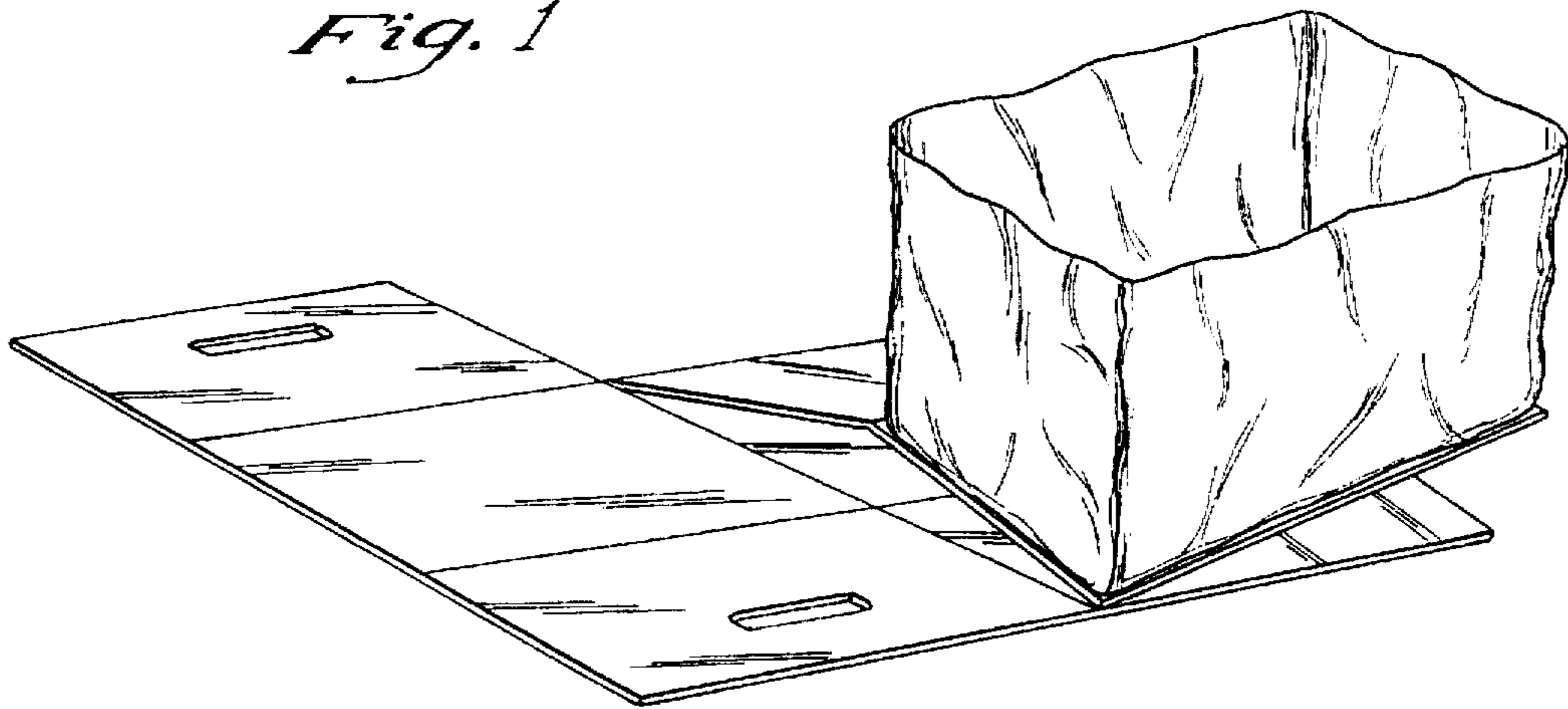
FIG. 2 is a rear perspective view of the invention in collapsed form, the lining is shown in an alternate position for clarity of illustration; and,

FIG. 3 is a front perspective view of the invention in assembled form, the rear perspective view being identical. The broken line showing of the lid in FIG. 3 is for illustrative purposes only and forms no part of the claimed design.

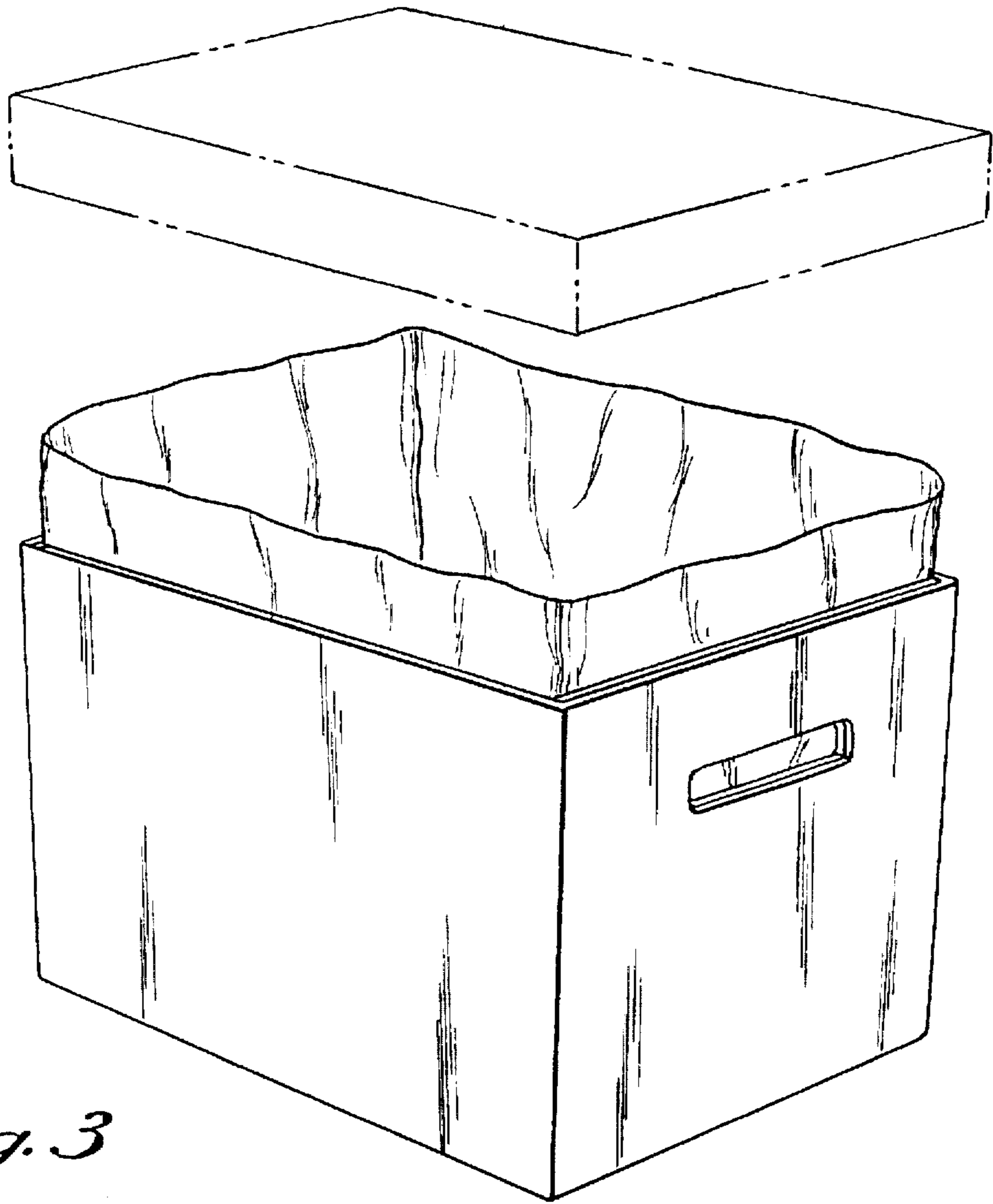
1 Claim, 2 Drawing Sheets



*Fig. 1*



*Fig. 2*



*Fig. 3*