



US00D395235S

# United States Patent [19] Andersson

[11] Patent Number: **Des. 395,235**  
[45] Date of Patent: **\*\*Jun. 16, 1998**

[54] **PACKAGE**

[75] Inventor: **Ove Andersson, Västra Frölunda, Sweden**

[73] Assignee: **Markpoint System AB, Sweden**

[\*\*] Term: **14 Years**

[21] Appl. No.: **58,163**

[22] Filed: **Aug. 9, 1996**

[30] **Foreign Application Priority Data**

Feb. 13, 1996 [SE] Sweden ..... 96-0367

[51] LOC (6) Cl. .... **09-07**

[52] U.S. Cl. .... **D9/432; D9/433**

[58] Field of Search ..... D9/414, 415, 417-419, D9/423, 430, 432, 433; 229/122, 195, 198.2, 905

[56] **References Cited**

**U.S. PATENT DOCUMENTS**

D. 262,945 2/1982 Lytra ..... D9/418 X  
D. 340,642 10/1993 Detzel et al. .... D9/417

D. 353,091 12/1994 Mumford ..... D9/433 X  
D. 356,254 3/1995 Correll ..... D9/432  
3,088,651 5/1963 Rasmusson ..... 229/905 X  
3,512,697 5/1970 Robinson ..... 229/109

*Primary Examiner*—Sandra L. Morris  
*Assistant Examiner*—Nanda Bondade  
*Attorney, Agent, or Firm*—Lerner, David, Littenberg, Krumholz & Menlik

[57] **CLAIM**

The ornamental design for a package, as shown and described.

**DESCRIPTION**

FIG. 1 is a front, right side and top perspective view of a package showing my new design, the broken line showing of the contents of the package is for illustrative purposes only and forms no part of the claimed design;

FIG. 2 is a rear, left side and top perspective view thereof; and,

FIG. 3 is a top elevational view of the blank thereof, the bottom view being the mirror image; the broken lines shown represent fold lines.

**1 Claim, 2 Drawing Sheets**

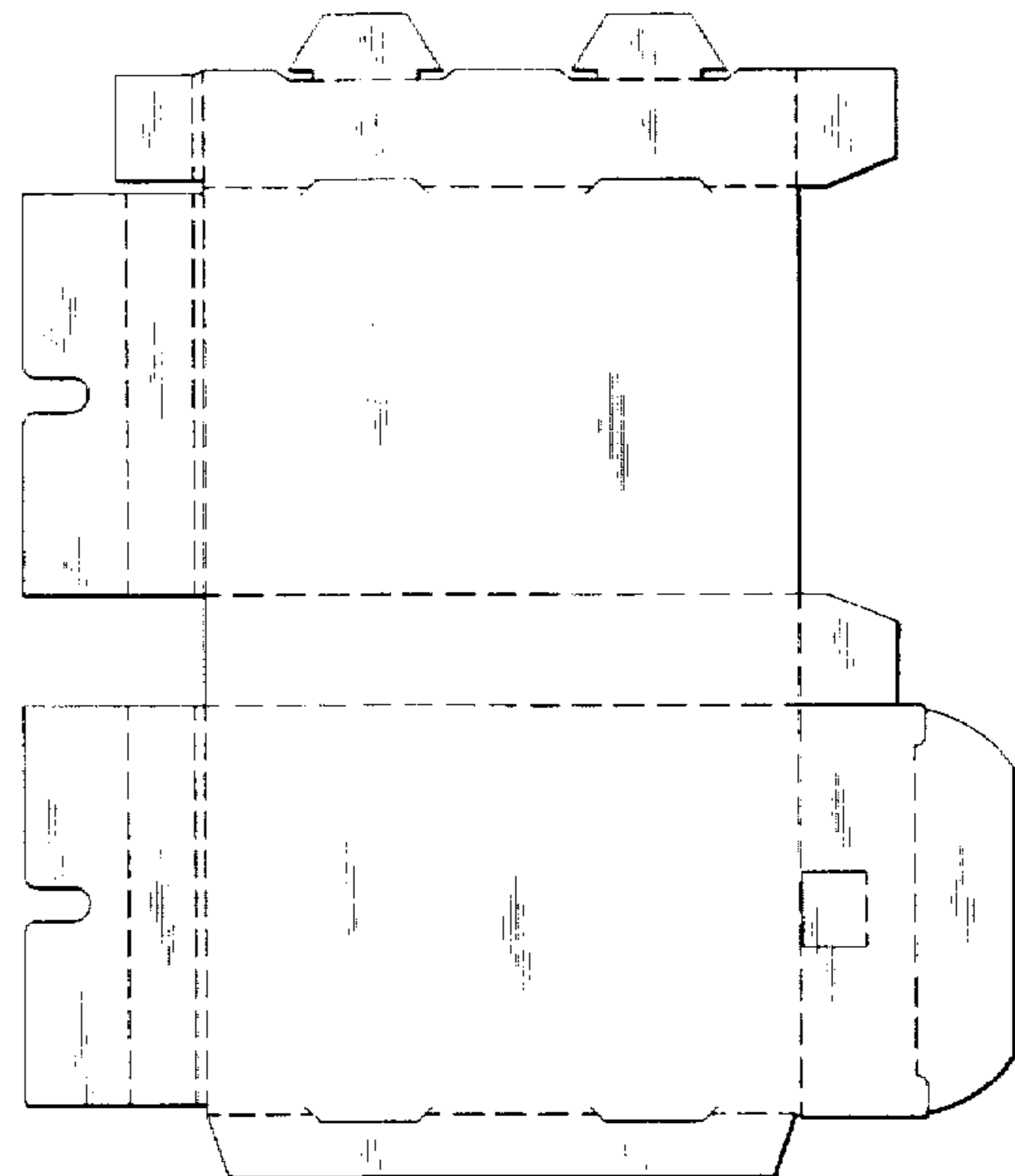
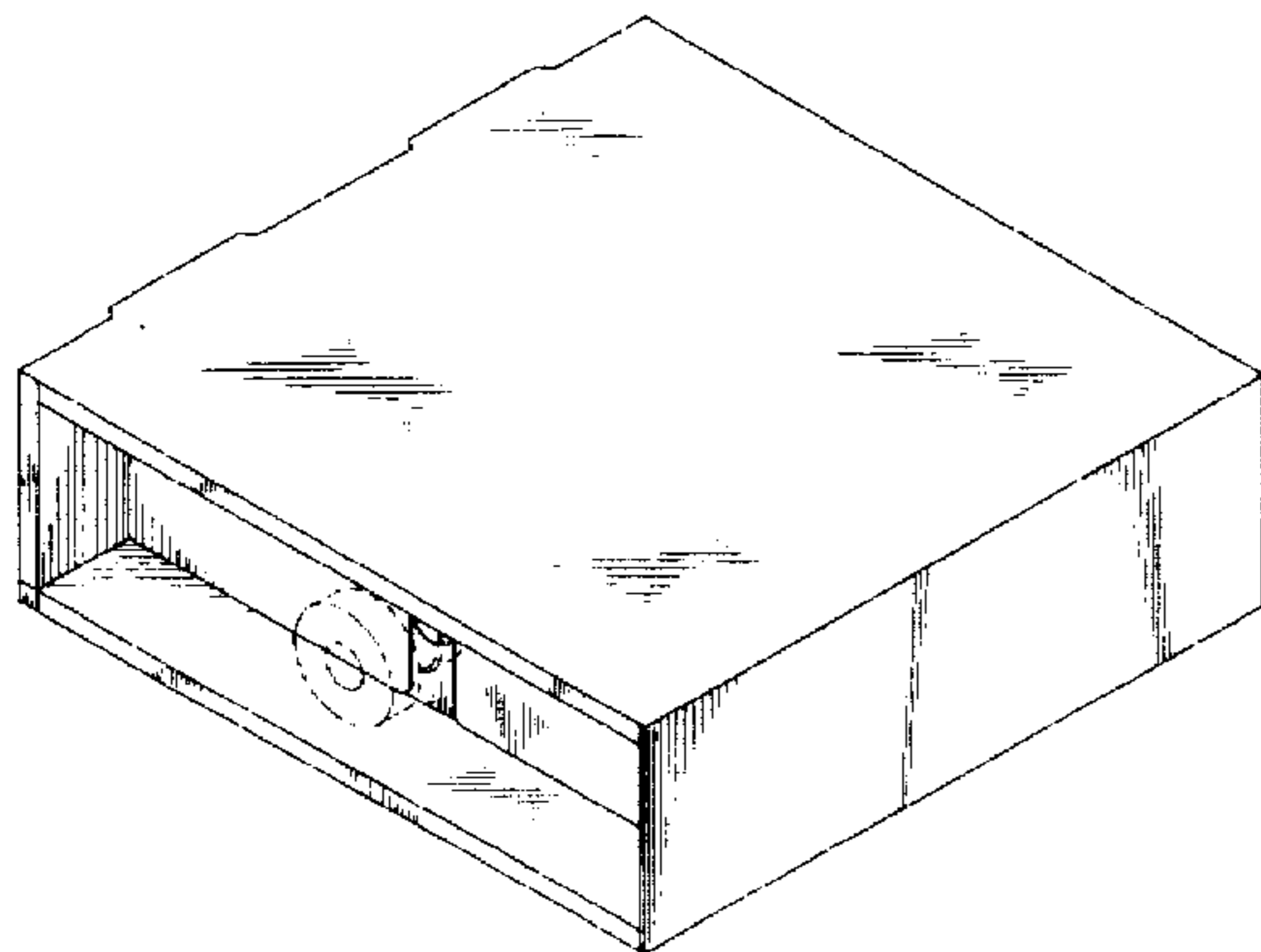


FIG. 1

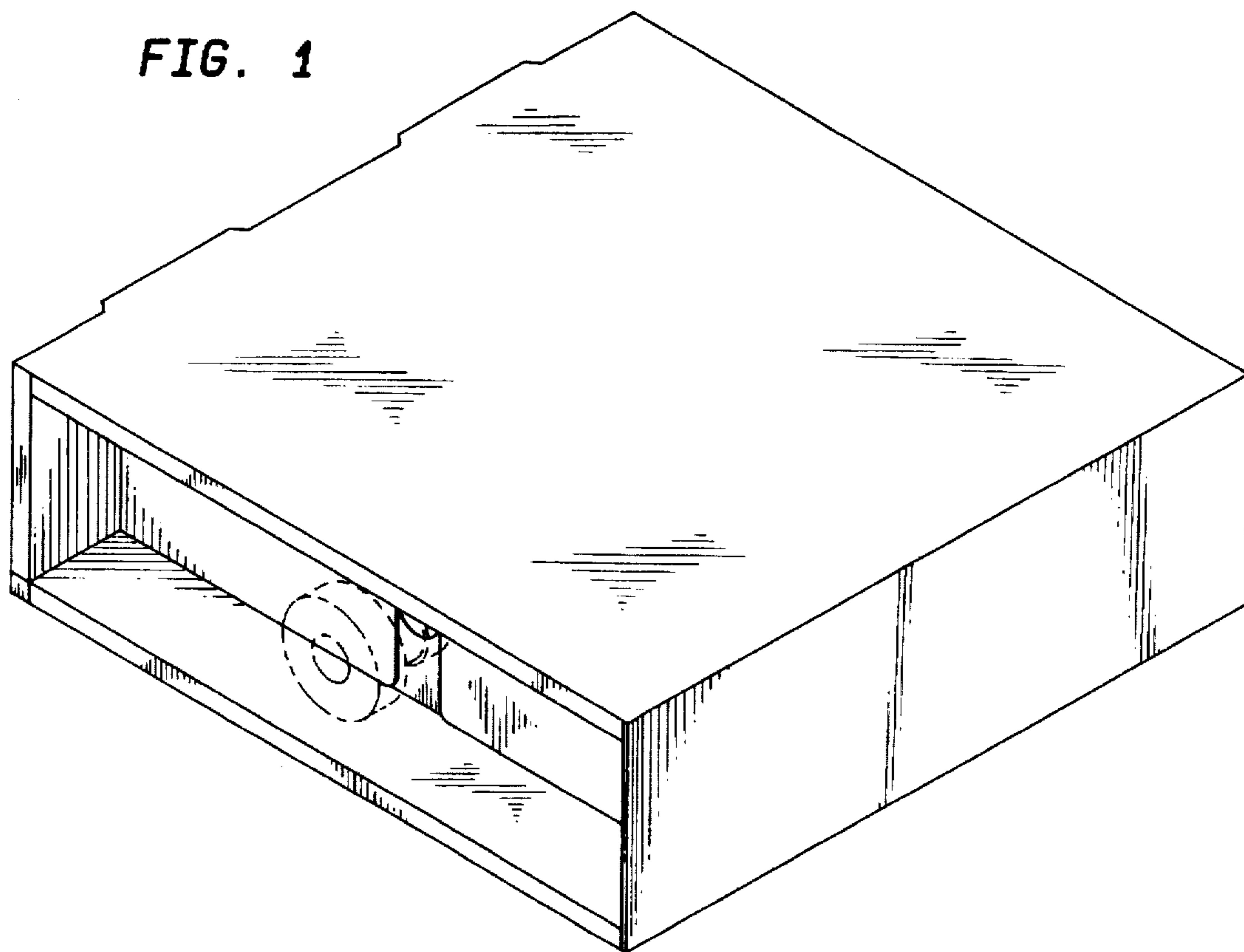


FIG. 2

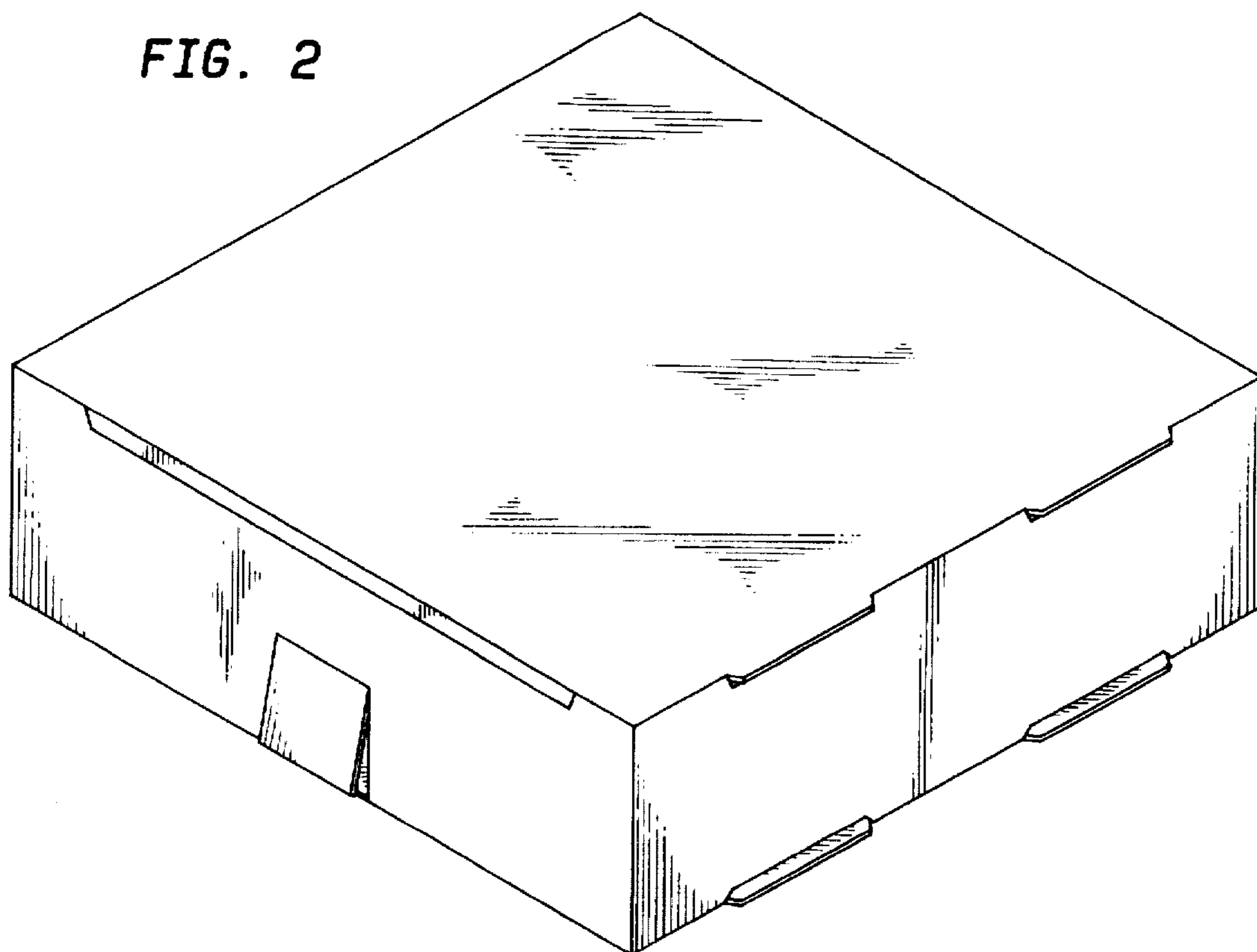


FIG. 3

