



US00D395234S

# United States Patent [19]

[11] Patent Number: Des. 395,234

Shida et al.

[45] Date of Patent: \*\*Jun. 16, 1998

[54] SAFEGUARD CASE FOR TONER CARTRIDGE

5,335,770 8/1994 Baker et al. .... 206/592 X

[75] Inventors: Yoshihiko Shida; Hiroto Shibata, both of Sendai, Japan

Primary Examiner—Prabhakar G. Deshmukh  
Attorney, Agent, or Firm—Staas & Halsey

[73] Assignee: Sydek Kabushiki Kaisha, Miyagi-ken, Japan

### [57] CLAIM

[\*\*] Term: 14 Years

The ornamental design for a safeguard case for toner cartridge, as shown and described.

[21] Appl. No.: 61,168

### DESCRIPTION

[22] Filed: Oct. 17, 1996

### [30] Foreign Application Priority Data

FIG. 1 is a top plan view of a safeguard case for toner cartridge showing our new design;  
FIG. 2 is a front elevational view thereof;  
FIG. 3 is a bottom plan view thereof;  
FIG. 4 is a rear elevational view thereof;  
FIG. 5 is a left side elevational view thereof;  
FIG. 6 is a right side elevational view thereof;  
FIG. 7 is a cross sectional view thereof taken along the line 7—7 of FIG. 2;  
FIG. 8 is a cross sectional view thereof taken along the line 8—8 of FIG. 2;  
FIG. 9 is a cross sectional view thereof taken along the line 9—9 of FIG. 1;  
FIG. 10 is a perspective view seen from the top corner side thereof;  
FIG. 11 is a perspective view seen from the bottom corner side thereof;  
FIG. 12 is a perspective view thereof with its cover opened; and,  
FIG. 13 is an enlarged scale cross sectional view thereof; similar to FIG. 8 shown in it's environmental use.

Jul. 25, 1996 [JP] Japan ..... 822194

[51] LOC (6) Cl. .... 09-07

[52] U.S. Cl. .... D9/423

[58] Field of Search ..... D9/420-424, 432, D9/337, 418; D3/201, 318; 206/384, 525, 588, 590; 220/4.22, 4.23, 4.24, 339; D18/43, 44, 99

### [56] References Cited

#### U.S. PATENT DOCUMENTS

- D. 252,557 8/1979 Walker et al. .... D18/43
- D. 312,271 11/1990 Komada et al. .... D18/43
- 4,375,262 3/1983 Hrenyo ..... 220/4.23 X
- 4,541,528 9/1985 Holmes ..... 220/4.23 X
- 4,623,071 11/1986 Malcolm ..... 220/4.22 X
- 5,156,267 10/1992 Yates, Jr. et al. .... 220/339 X
- 5,245,916 9/1993 Elizondo et al. .... 220/4.22 X

1 Claim, 5 Drawing Sheets

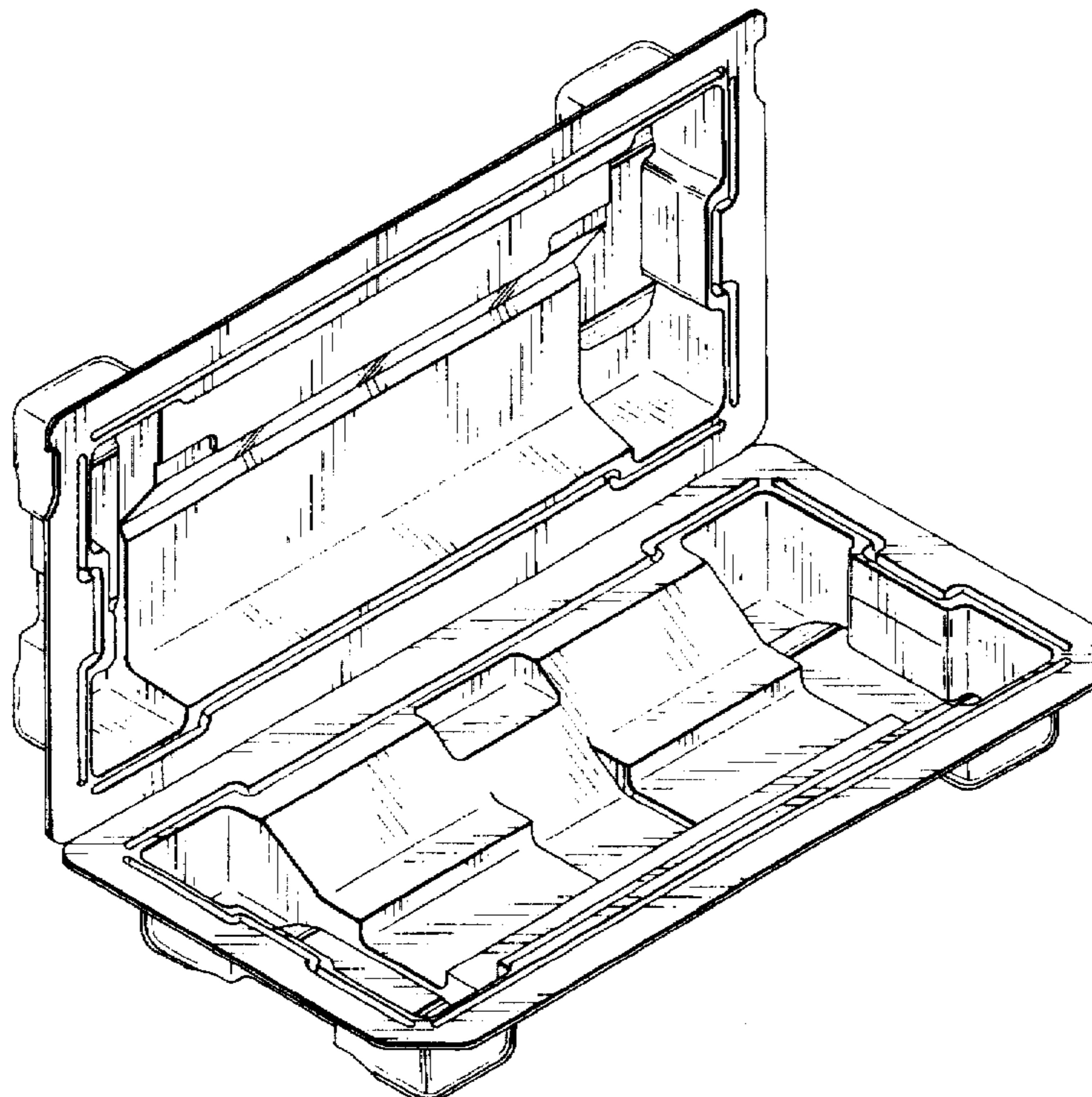


FIG. 1

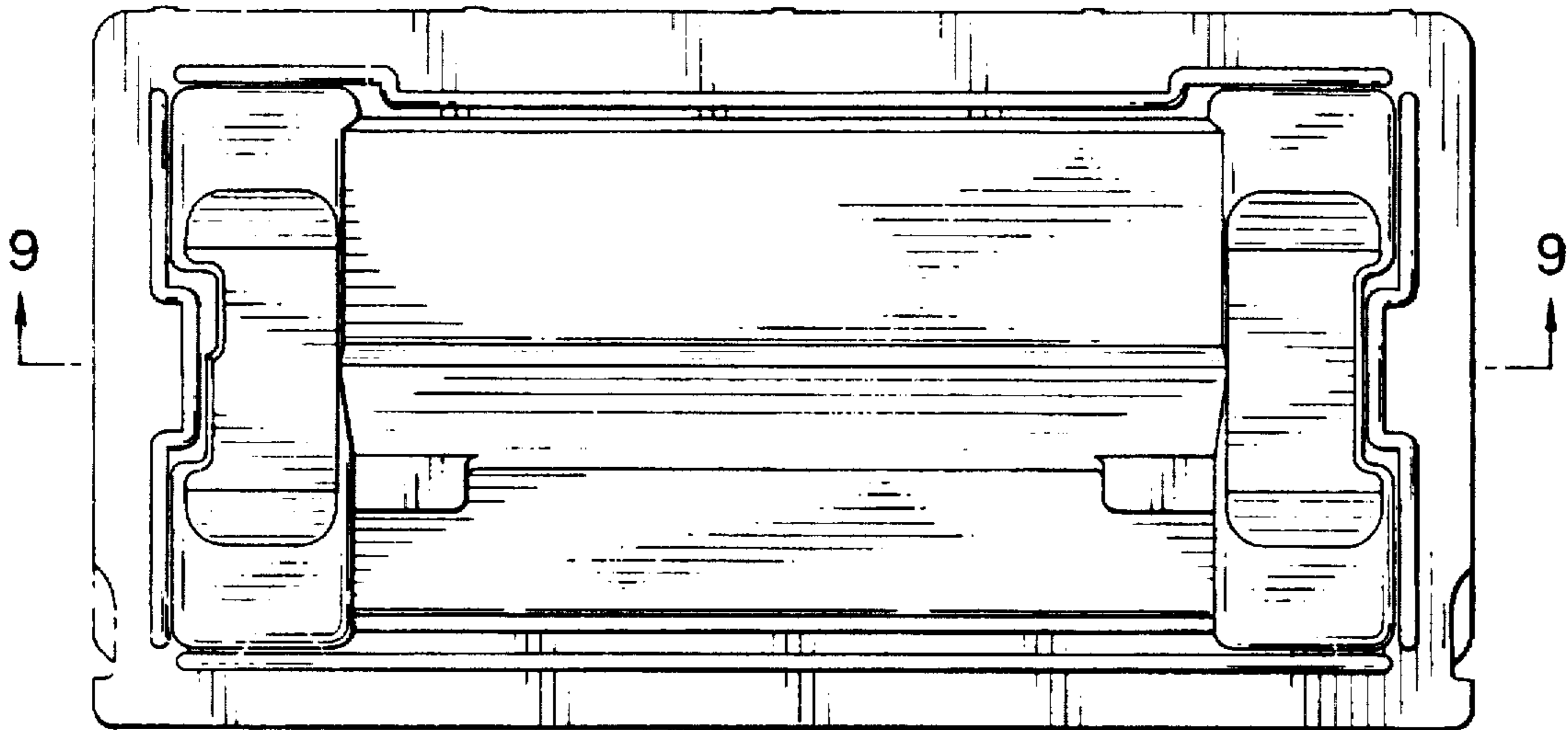


FIG. 2

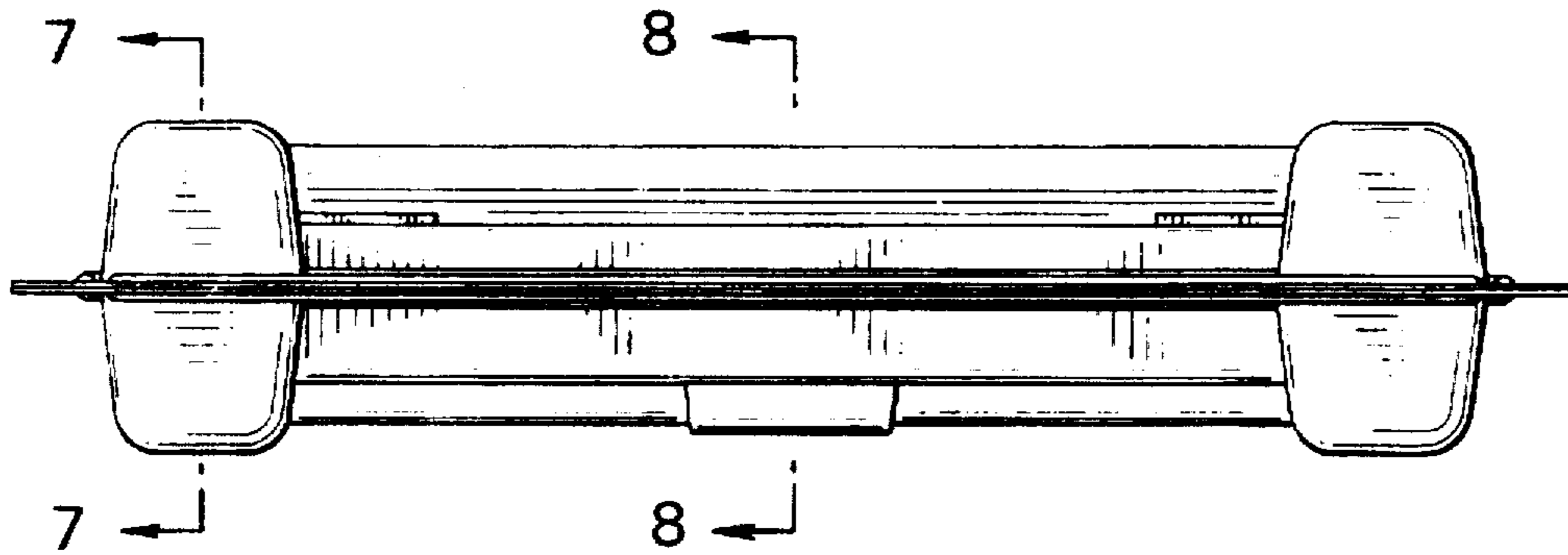


FIG. 3

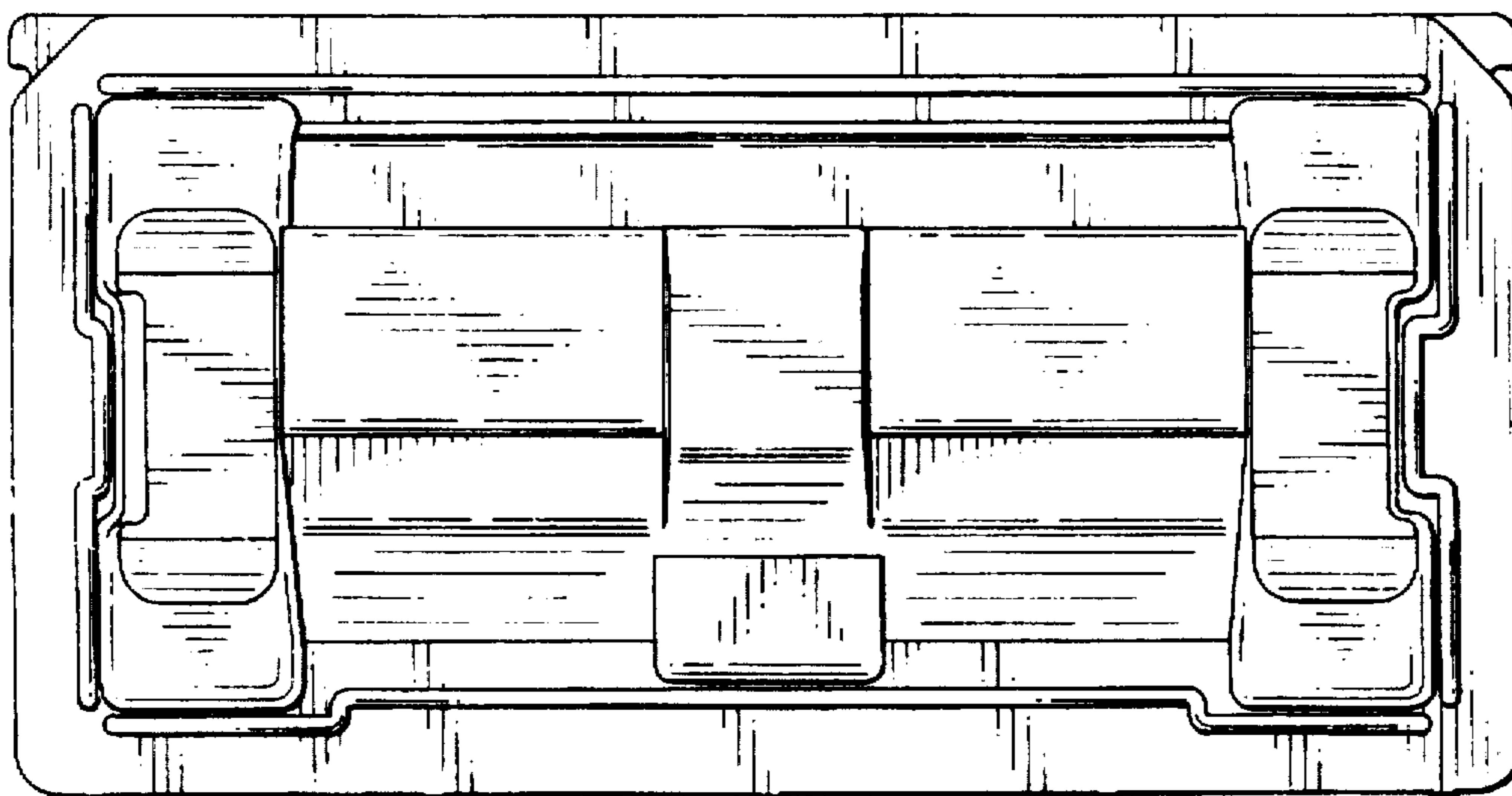


FIG. 4

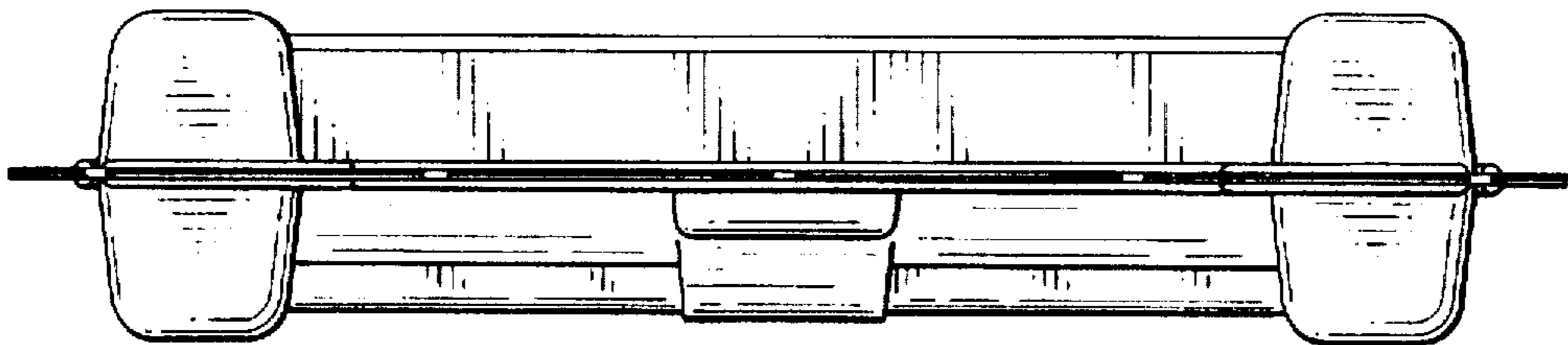


FIG. 5

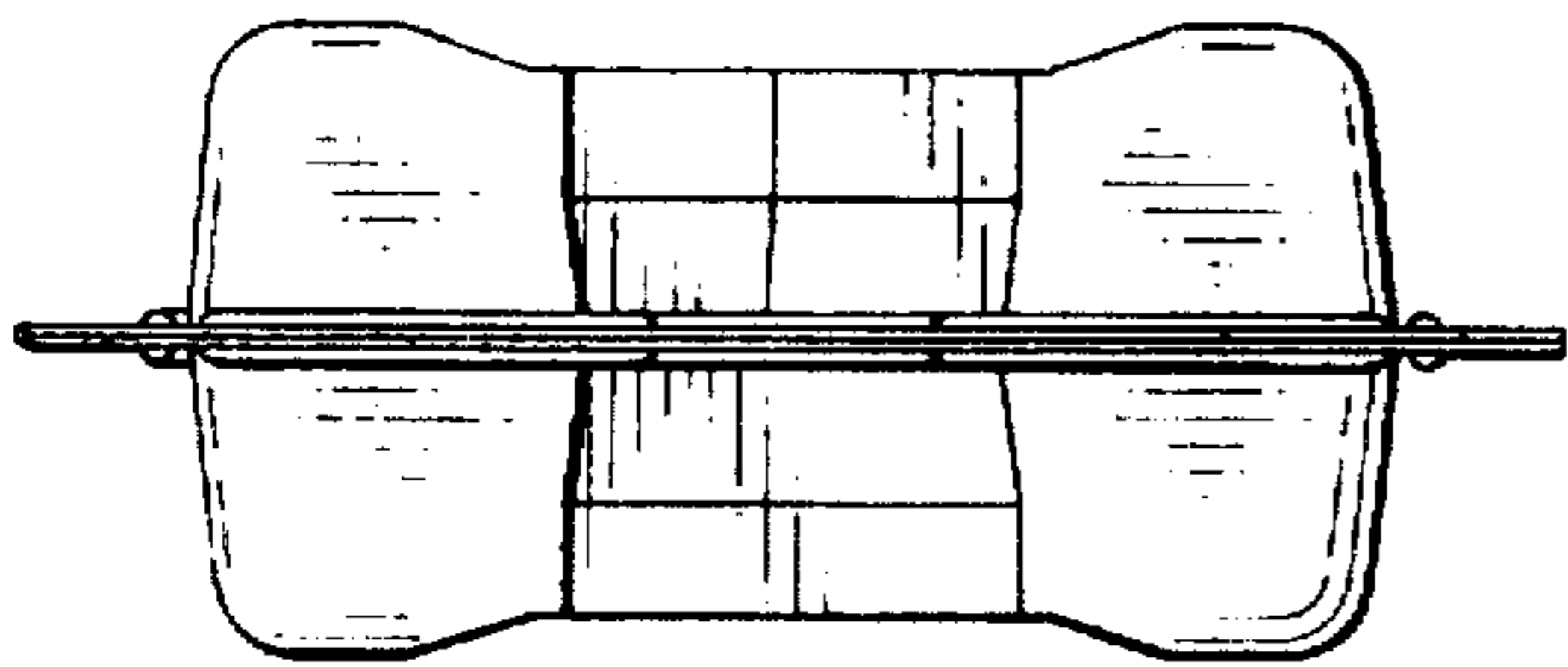


FIG. 6

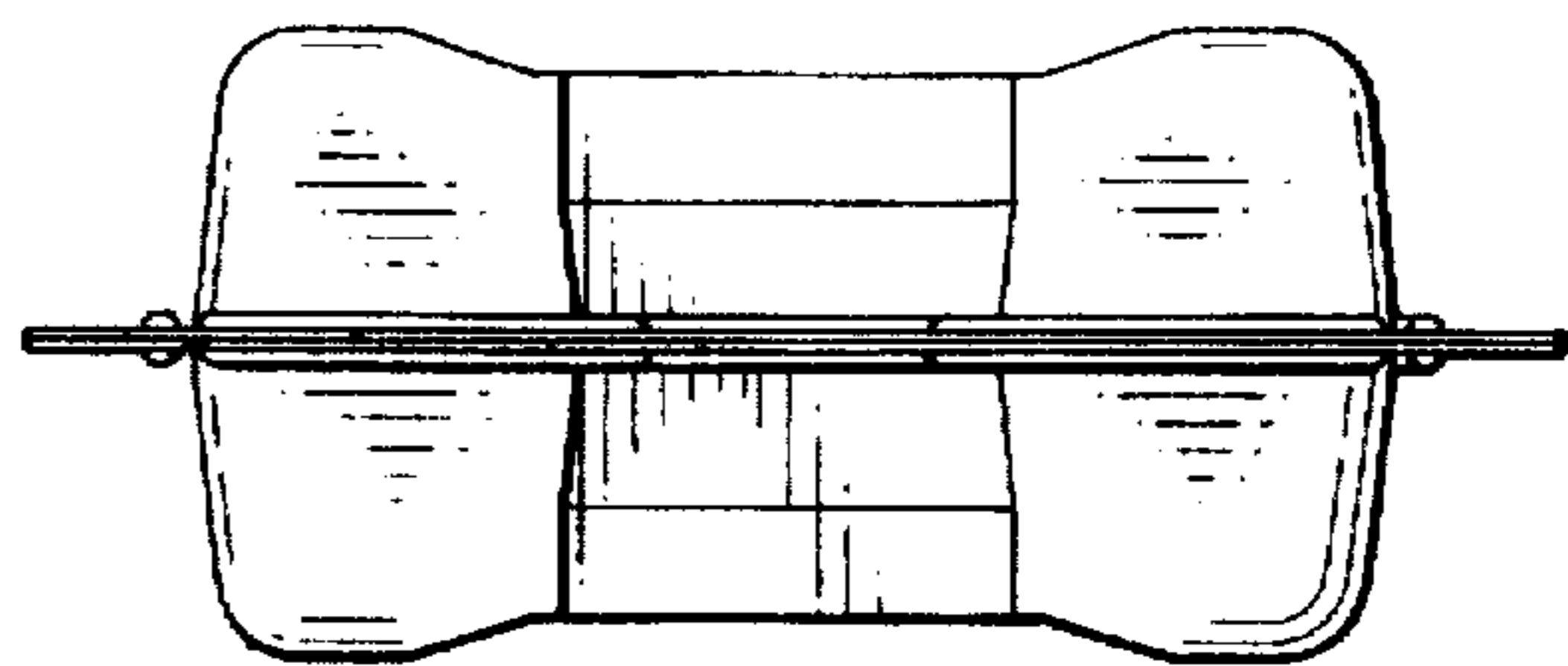


FIG. 7

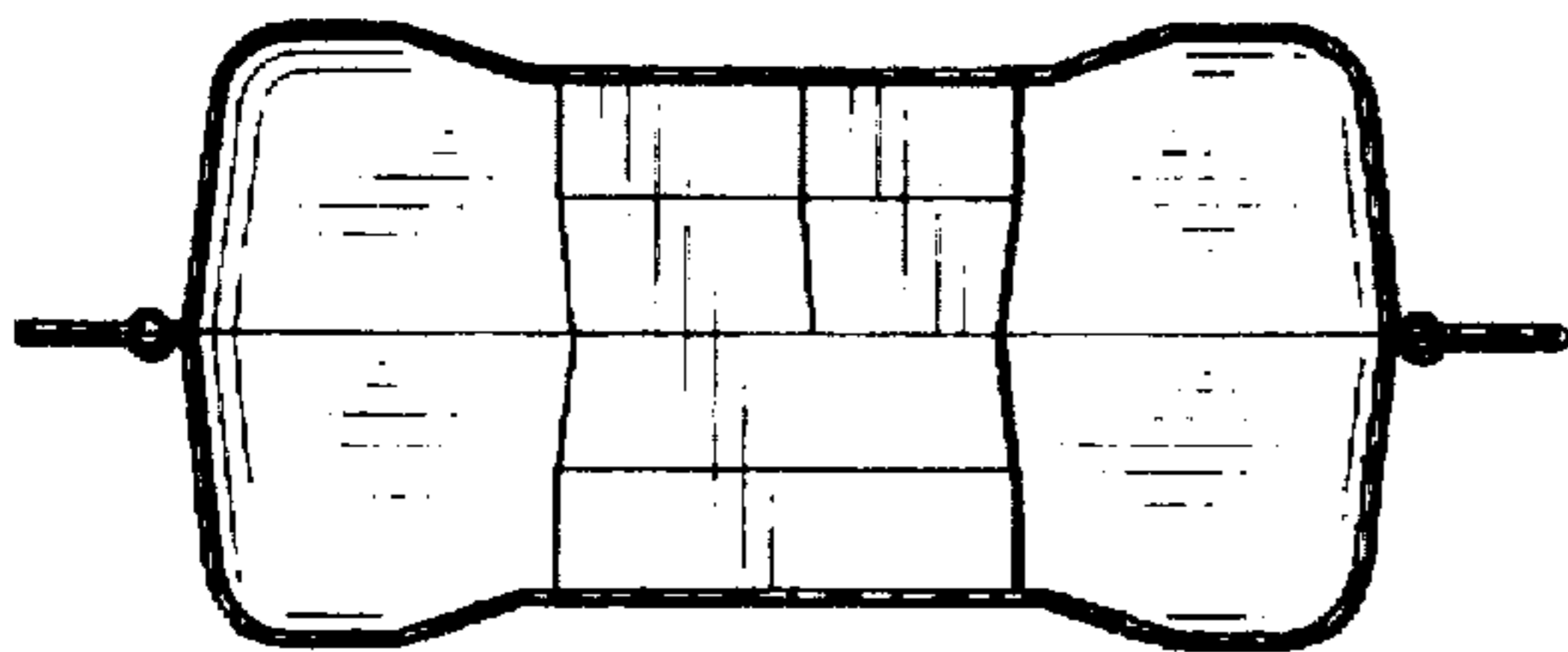


FIG. 8

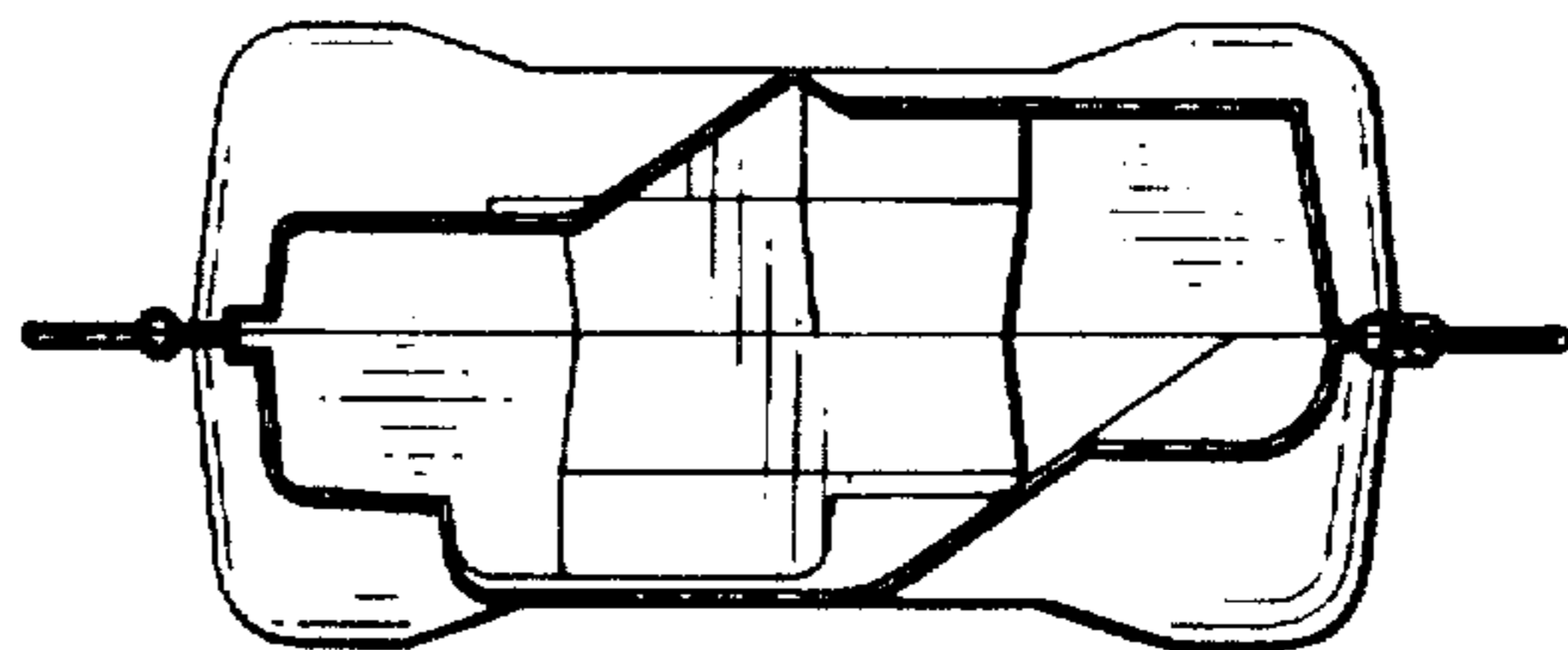
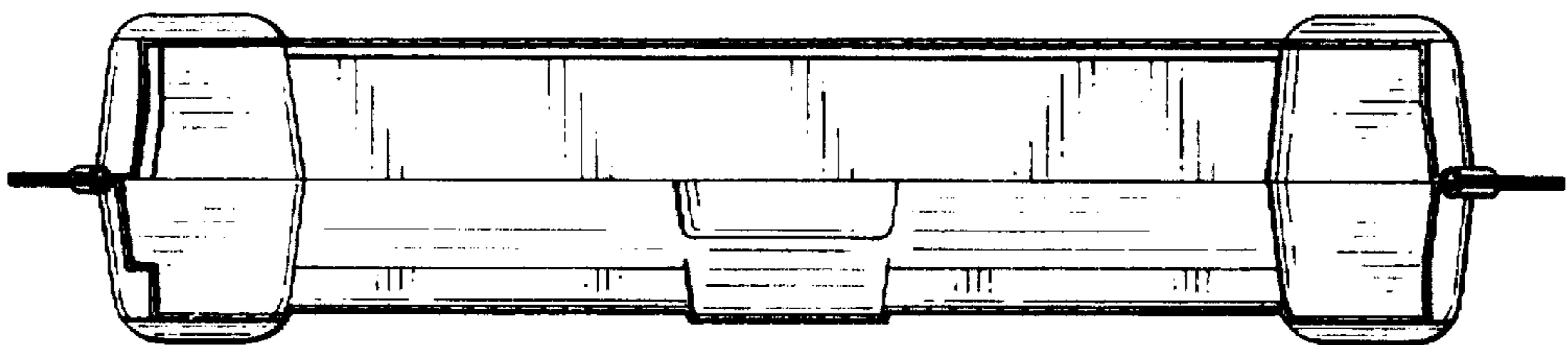
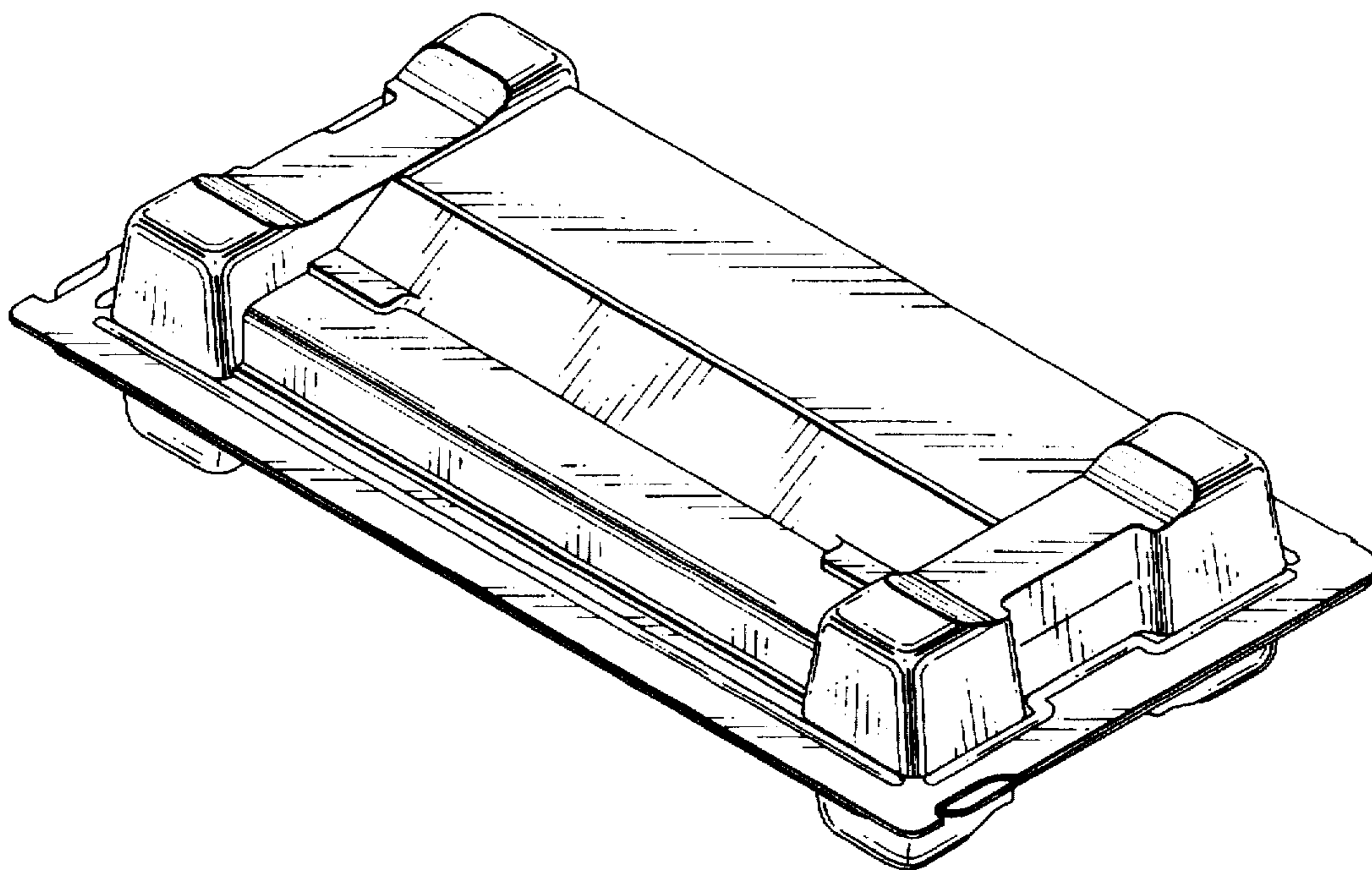


FIG. 9

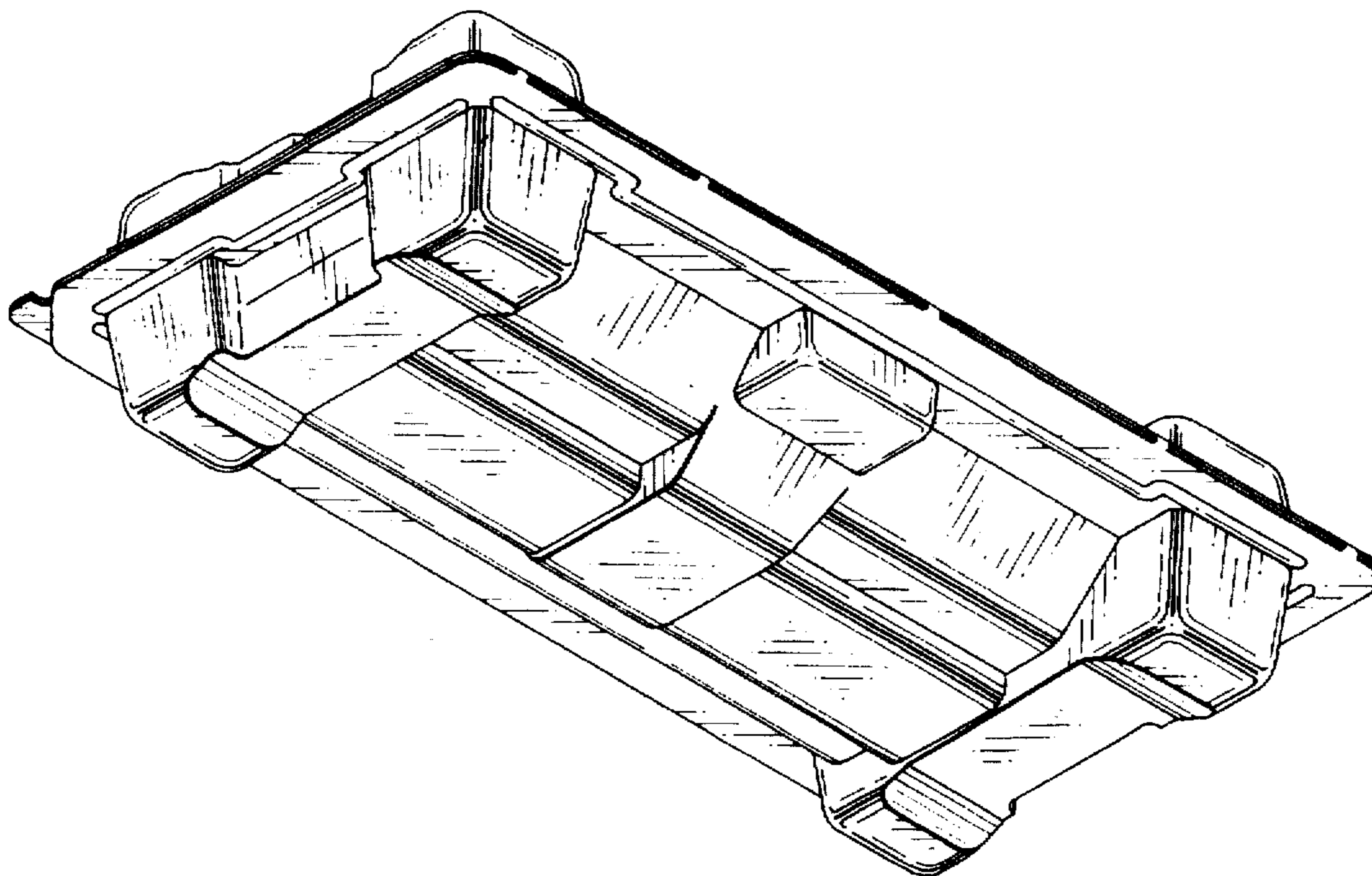




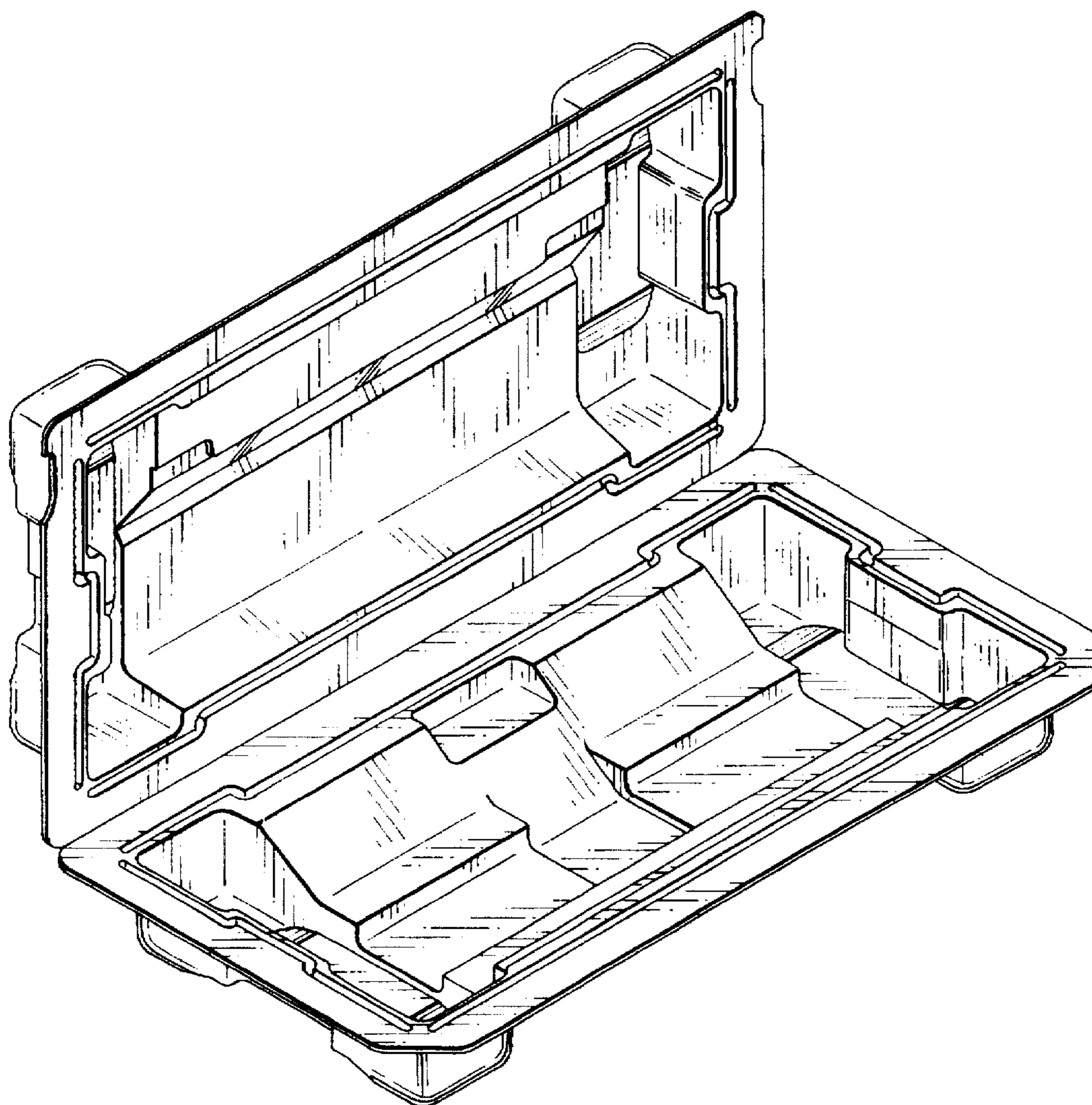
F I G . 1 0



F I G . 1 1



F I G . 1 2



F I G . 13

