



US00D395226S

United States Patent [19]

Maher et al.

[11] **Patent Number: Des. 395,226**

[45] **Date of Patent: **Jun. 16, 1998**

[54] **JUMP CUP**

5,334,119 8/1994 Eloranta .

[76] **Inventors: Roy St. John Maher; Michelle Christine Bartlett, both of R.R. #3, Mount Albert, Ontario, Canada, LOG 1M0**

FOREIGN PATENT DOCUMENTS

33 06 918 8/1984 Germany .
3306918 8/1984 Germany 482/17
2 152 822 8/1985 United Kingdom .

[**] **Term: 14 Years**

OTHER PUBLICATIONS

[21] **Appl. No.: 62,398**

Fox Run Horse Products Catalog; 1996; p. 36; Items J-M.
Eisers Catalog; 1996; p. 183; Item M.
Dover Saddlery Catalog; p. 52; Item A, 1996.

[22] **Filed: Nov. 14, 1996**

Primary Examiner—Holly Baynham
Attorney, Agent, or Firm—Jones, Tullar & Cooper, P.C.

Related U.S. Application Data

[62] **Division of Ser. No. 50,999, Mar. 1, 1996.**

[57] **CLAIM**

[51] **LOC (6) Cl. 08-05**

The ornamental design for a jump cup, as shown and described.

[52] **U.S. Cl. D8/354**

[58] **Field of Search D8/349, 354, 380; 248/248, 221, 289.31, 529; 482/16**

DESCRIPTION

[56] **References Cited**

FIG. 1 is a perspective view of the jump cup, showing our new design;

U.S. PATENT DOCUMENTS

565,898 8/1896 Holmes .
3,209,729 10/1965 Zedaker .
3,514,062 5/1970 Gordon 248/248
3,749,344 7/1973 Racina 248/218.4
4,239,168 12/1980 Colonna Des Princes .
4,368,875 1/1983 Weiss et al. .
4,989,821 2/1991 Wong .

FIG. 2 is an enlarged top plan view thereof;

FIG. 3 is an enlarged bottom plan view thereof;

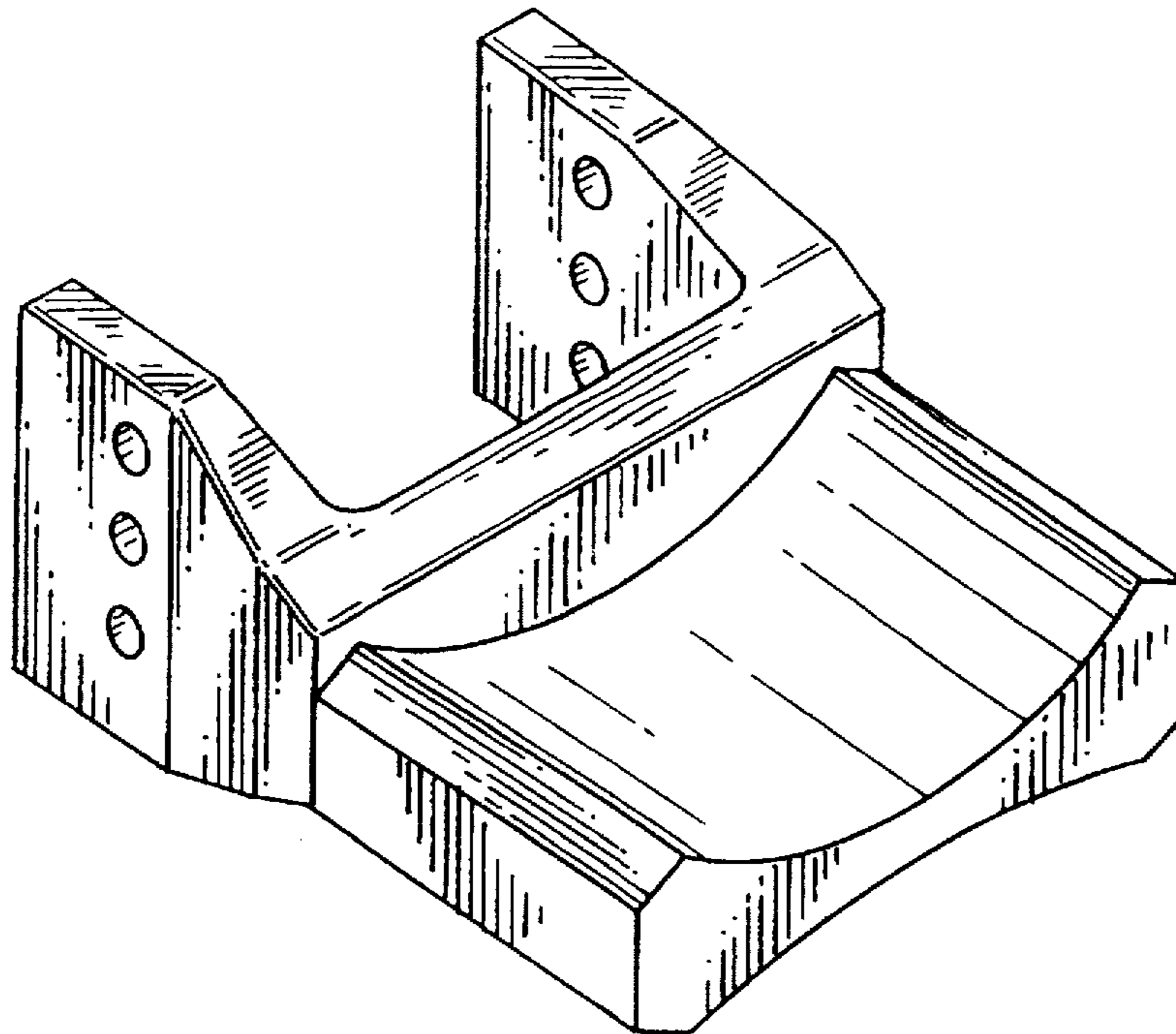
FIG. 4 is an enlarged right side elevational view thereof,

with the left side being a mirror image;

FIG. 5 is an enlarged front elevational view thereof; and,

FIG. 6 is an enlarged rear elevational view thereof.

1 Claim, 2 Drawing Sheets



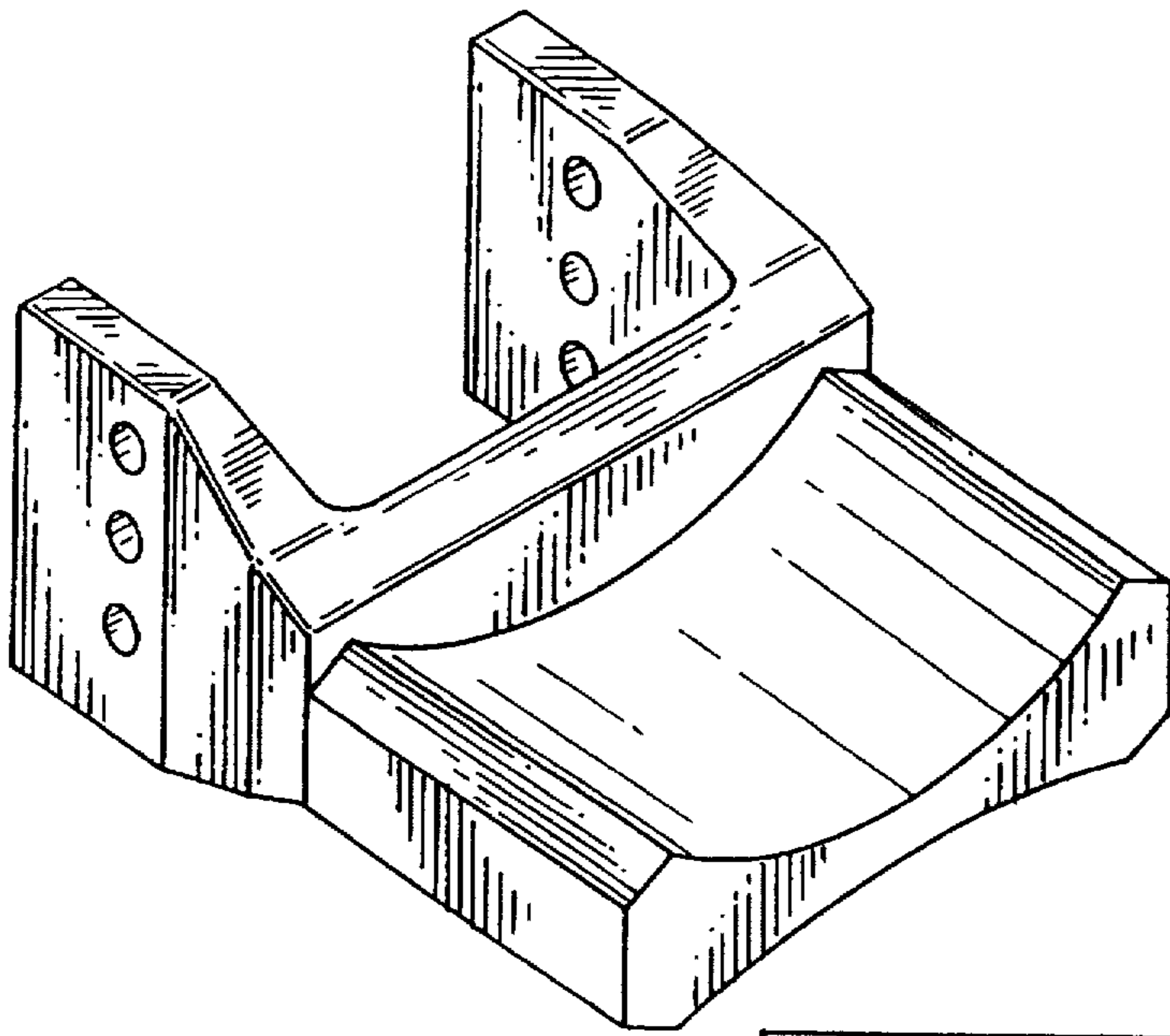


FIG. 1

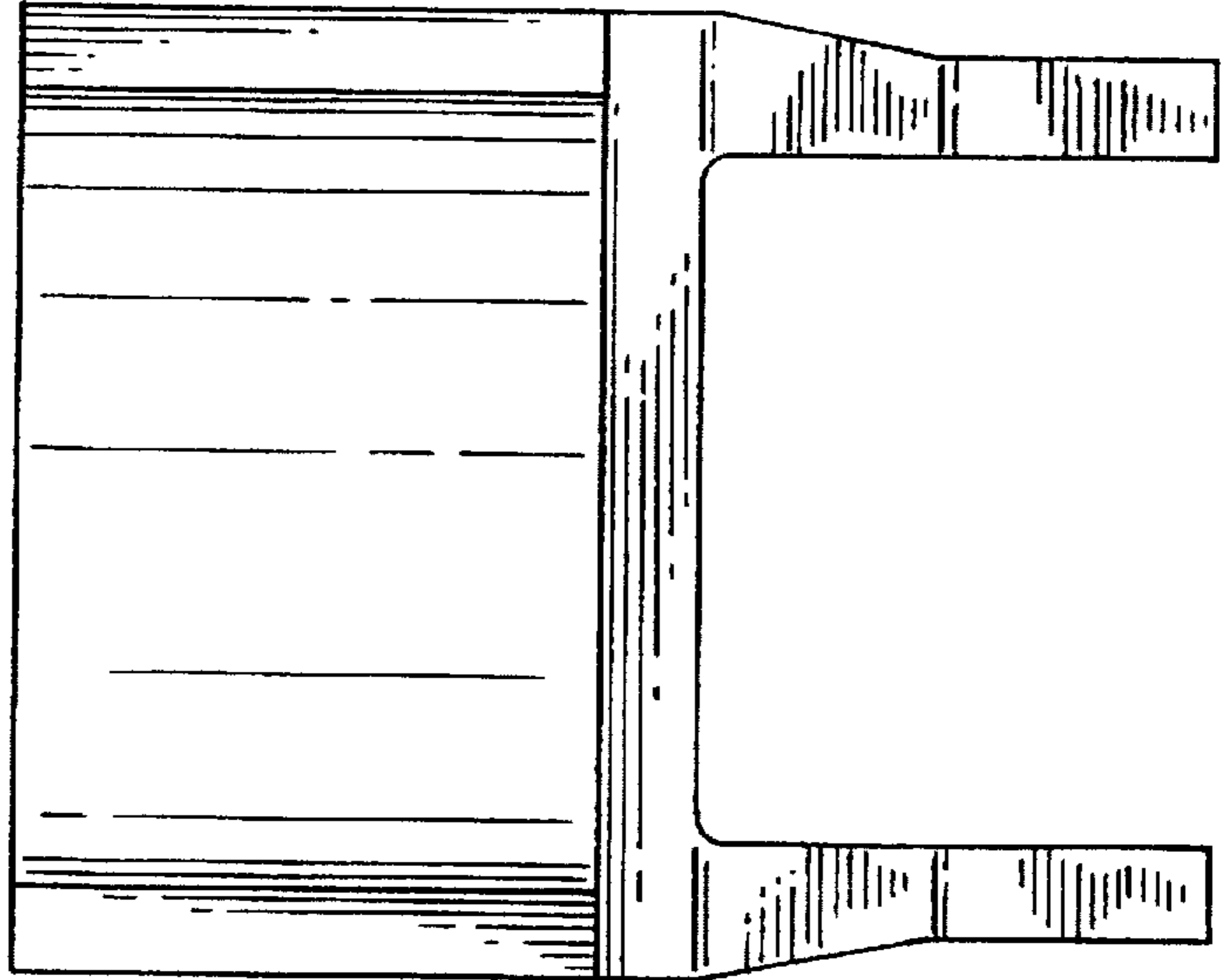


FIG. 2

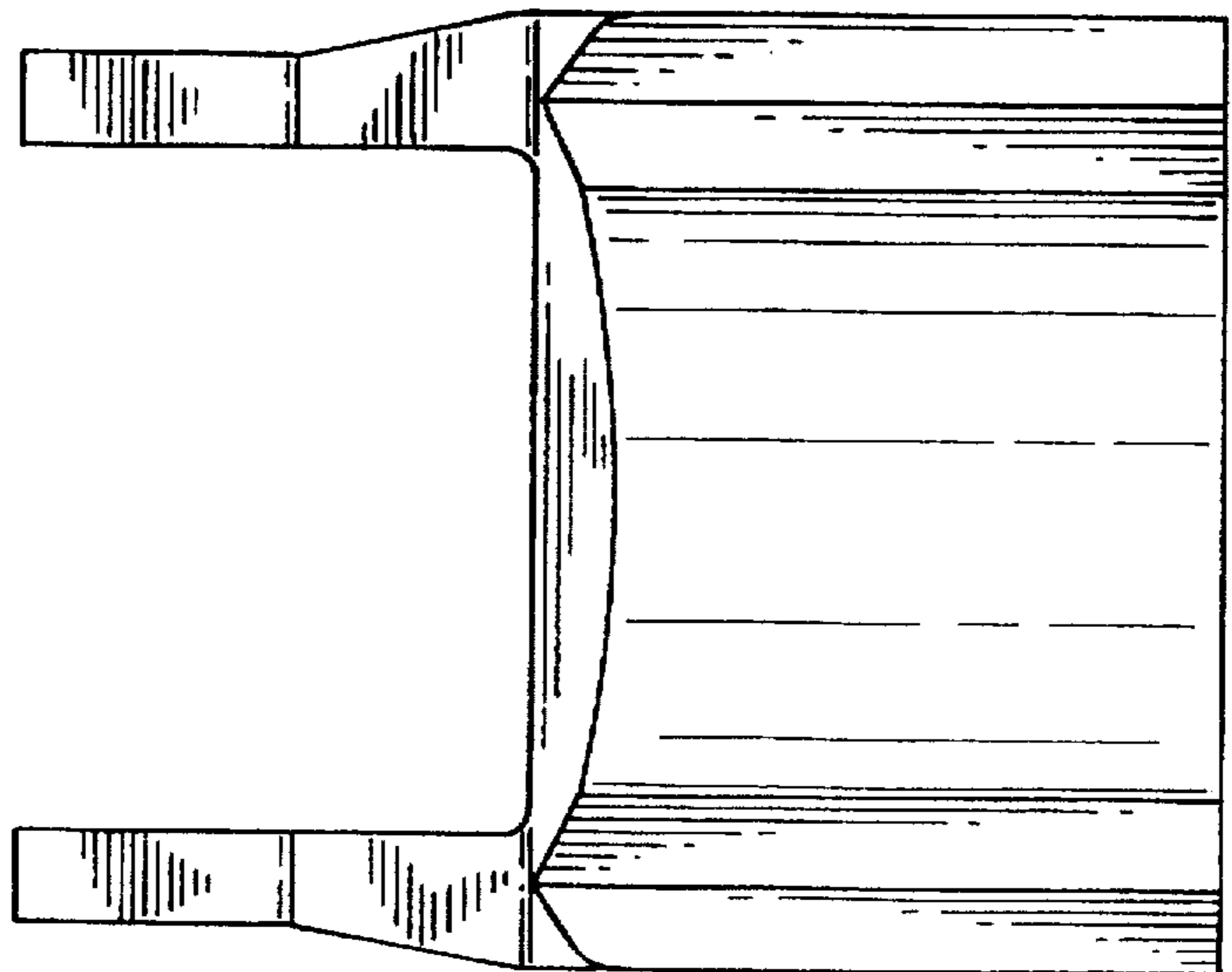


FIG. 3

FIG. 4

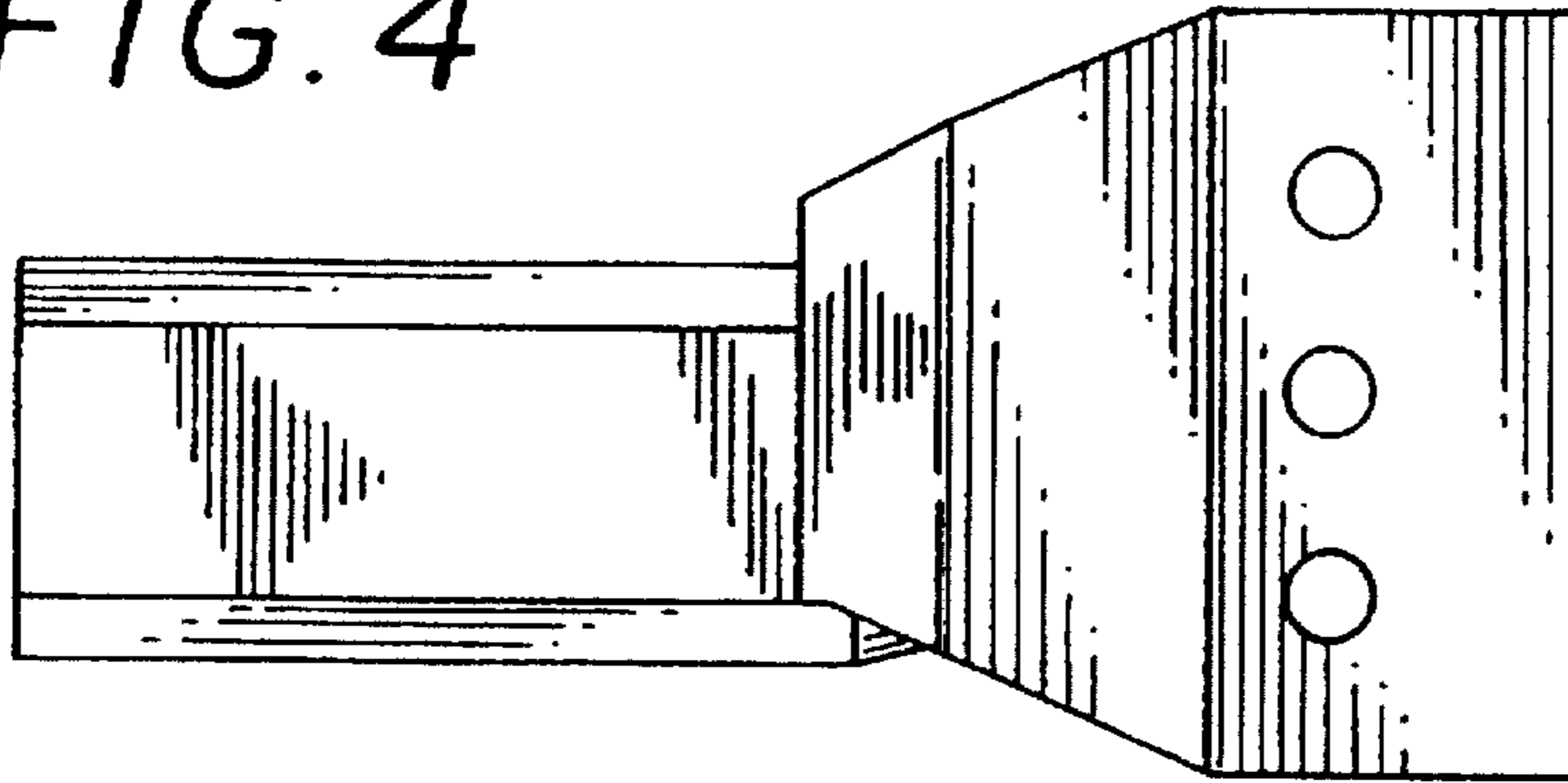


FIG. 5

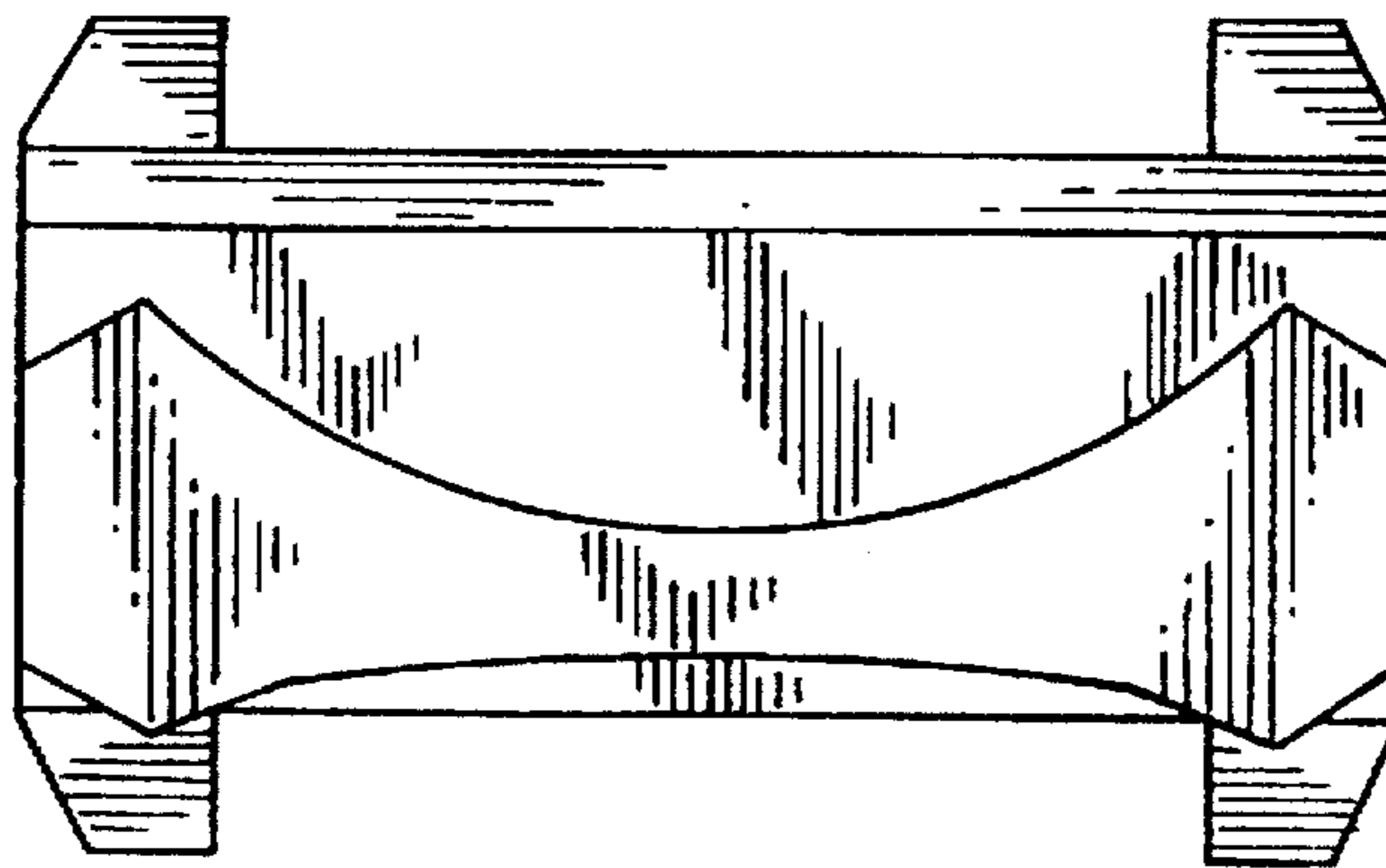


FIG. 6

