



US00D395224S

United States Patent [19]
Turner

[11] **Patent Number: Des. 395,224**

[45] **Date of Patent: **Jun. 16, 1998**

[54] **PROTECTIVE COVER FOR A PADLOCK**

[76] **Inventor: Lance Turner, Box 11073, Marina del Rey, Calif. 90292**

[**] **Term: 14 Years**

[21] **Appl. No.: 55,622**

[22] **Filed: Feb. 11, 1997**

D. 292,869	11/1987	Lebrecht	D8/346
D. 326,600	6/1992	Heald	D8/346
3,453,758	7/1969	Soref et al.	70/55 X
4,317,344	3/1982	Barnard	70/55 X

Primary Examiner—Brian N. Vinson

[57] **CLAIM**

The ornamental design for a protective cover for a padlock, as shown and described.

Related U.S. Application Data

[62] Division of Ser. No. 42,437, Aug. 10, 1995, Pat. No. Des. 379,059.

[51] **LOC (6) Cl.** **08-07**

[52] **U.S. Cl.** **D8/346**

[58] **Field of Search** D8/330-331, 343, D8/346, 333, 334; 70/14, 20, 23, 51, 52, 54, 56, 443, 448

[56] **References Cited**

U.S. PATENT DOCUMENTS

D. 243,150 1/1977 Dykes D8/346

DESCRIPTION

FIG. 1 is a perspective view of a protective cover for a padlock showing my new design, the broken line disclosure of a padlock being for illustrative purposes only and forming no part of the claimed design;

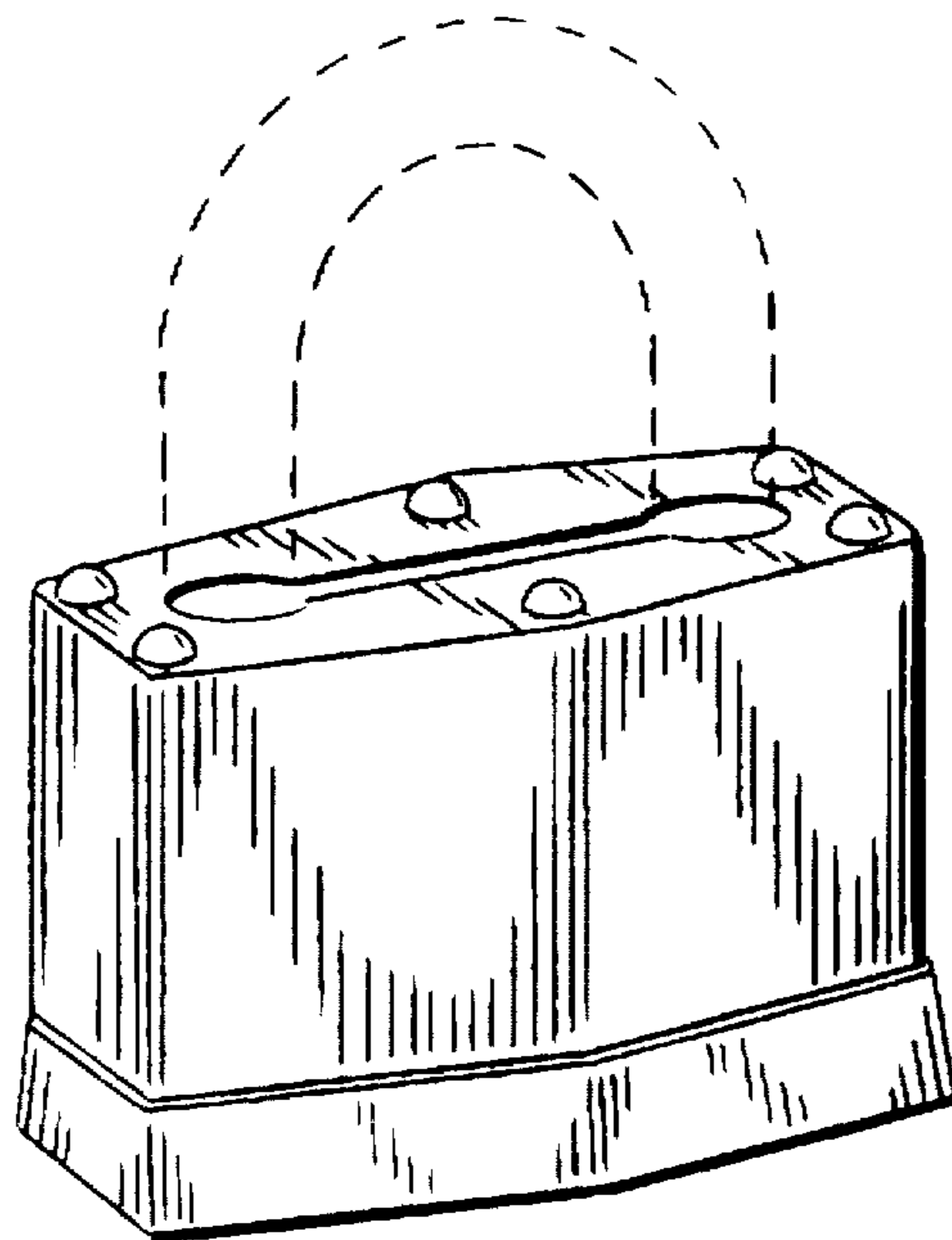
FIG. 2 is a front elevational view thereof with the rear elevational view being a mirror image thereof;

FIG. 3 is a left side elevational view thereof with the right side elevational view being a mirror thereof;

FIG. 4 is a top plan view thereof; and,

FIG. 5 is a bottom plan view thereof.

1 Claim, 1 Drawing Sheet



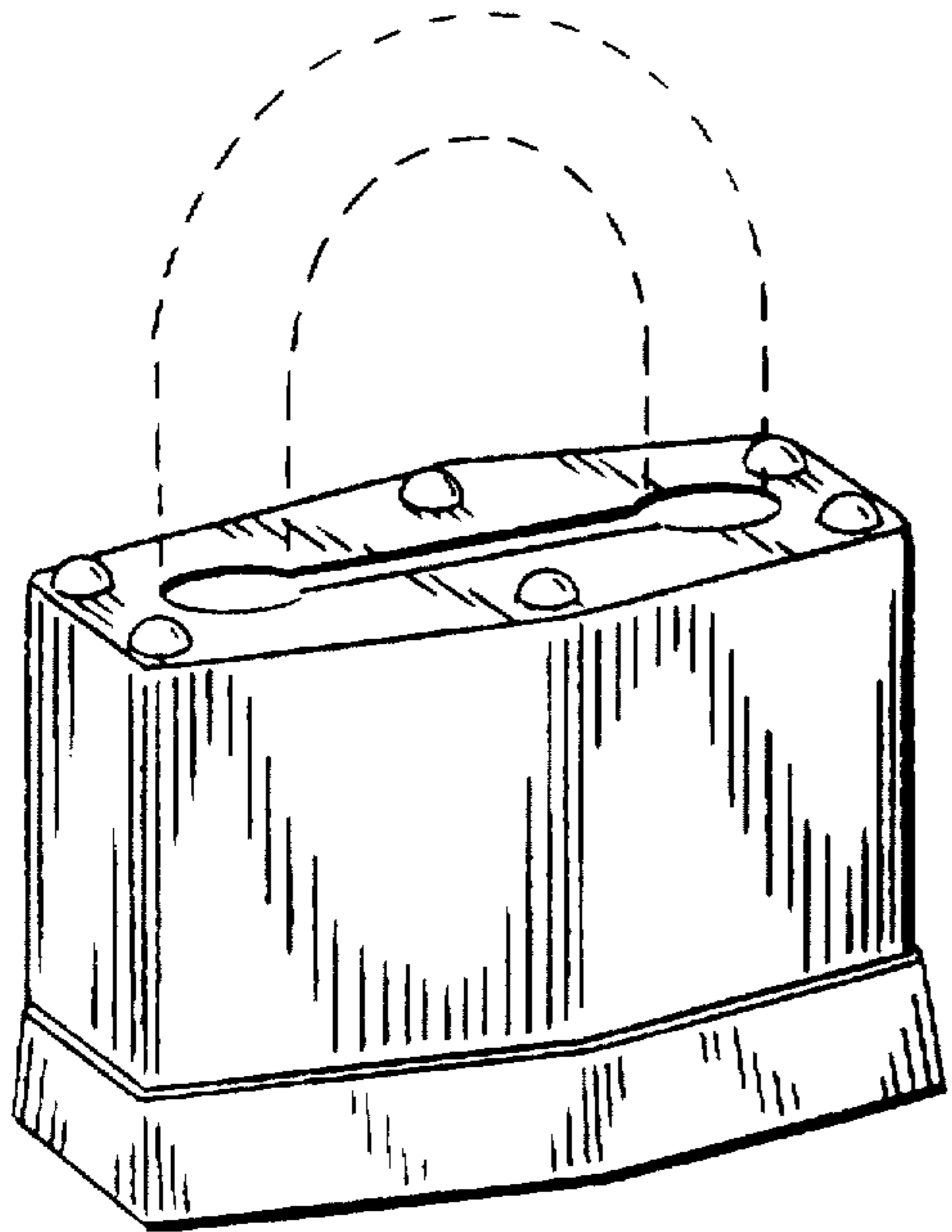


FIG. 1

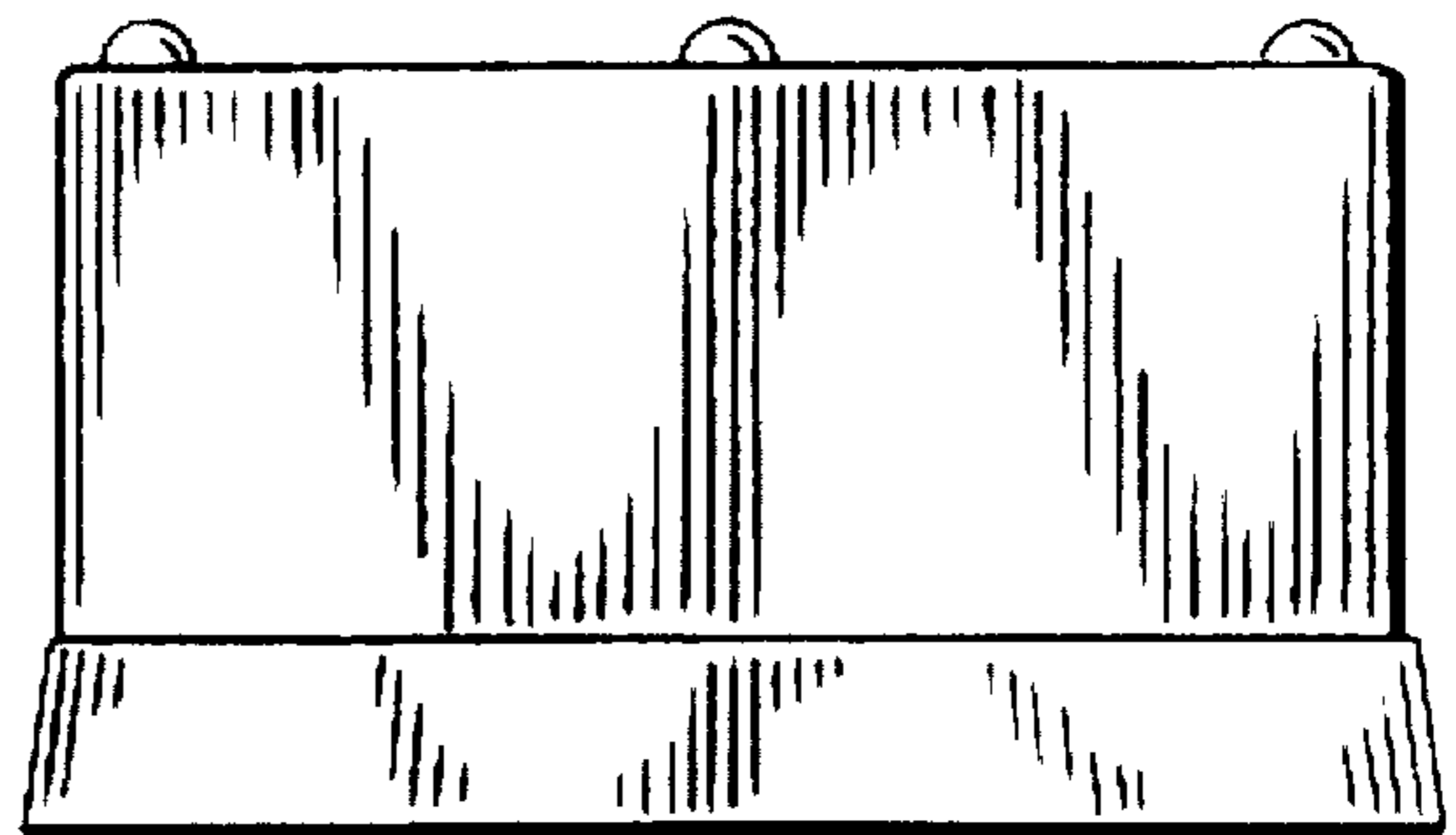


FIG. 2

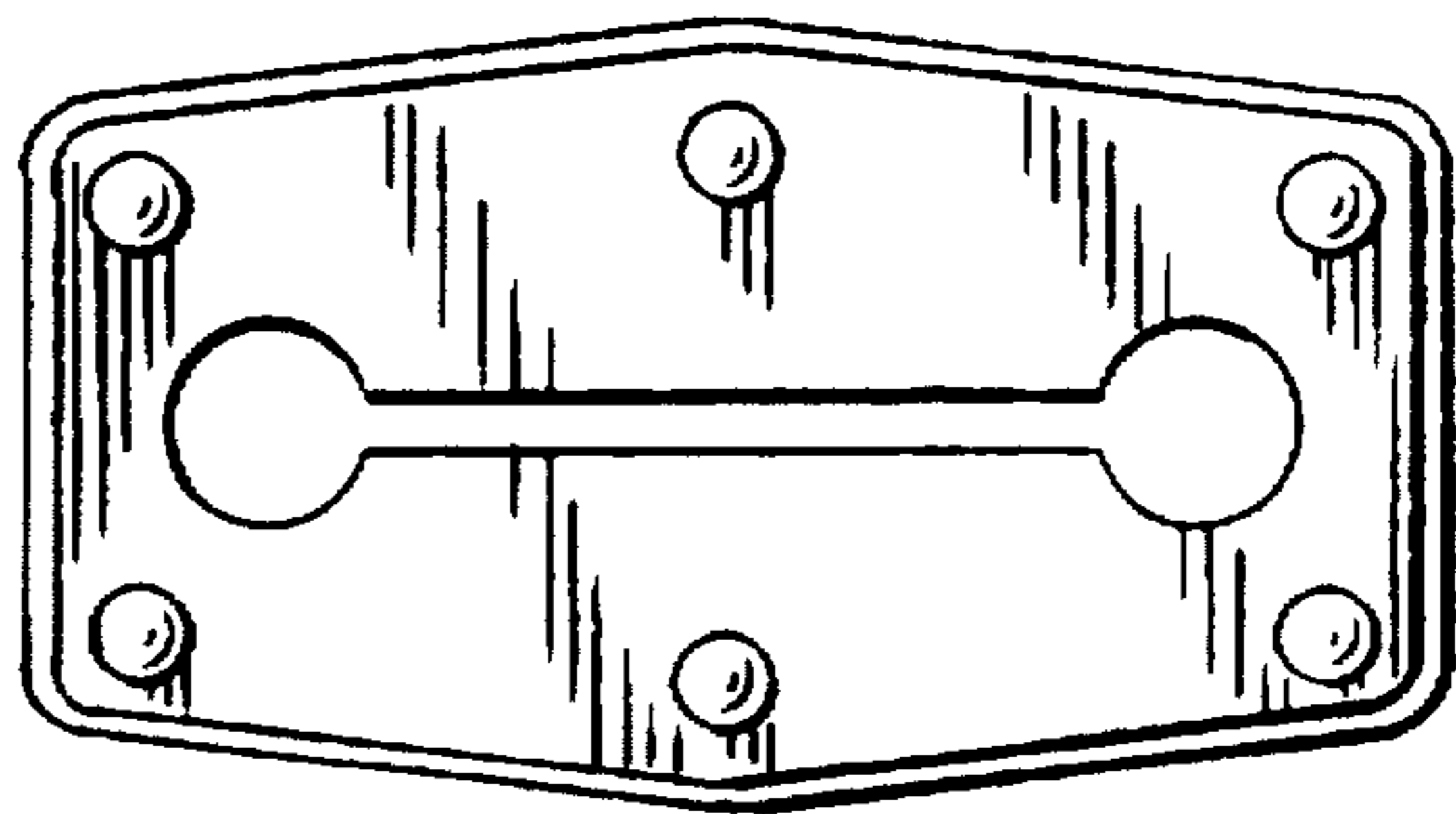


FIG. 4

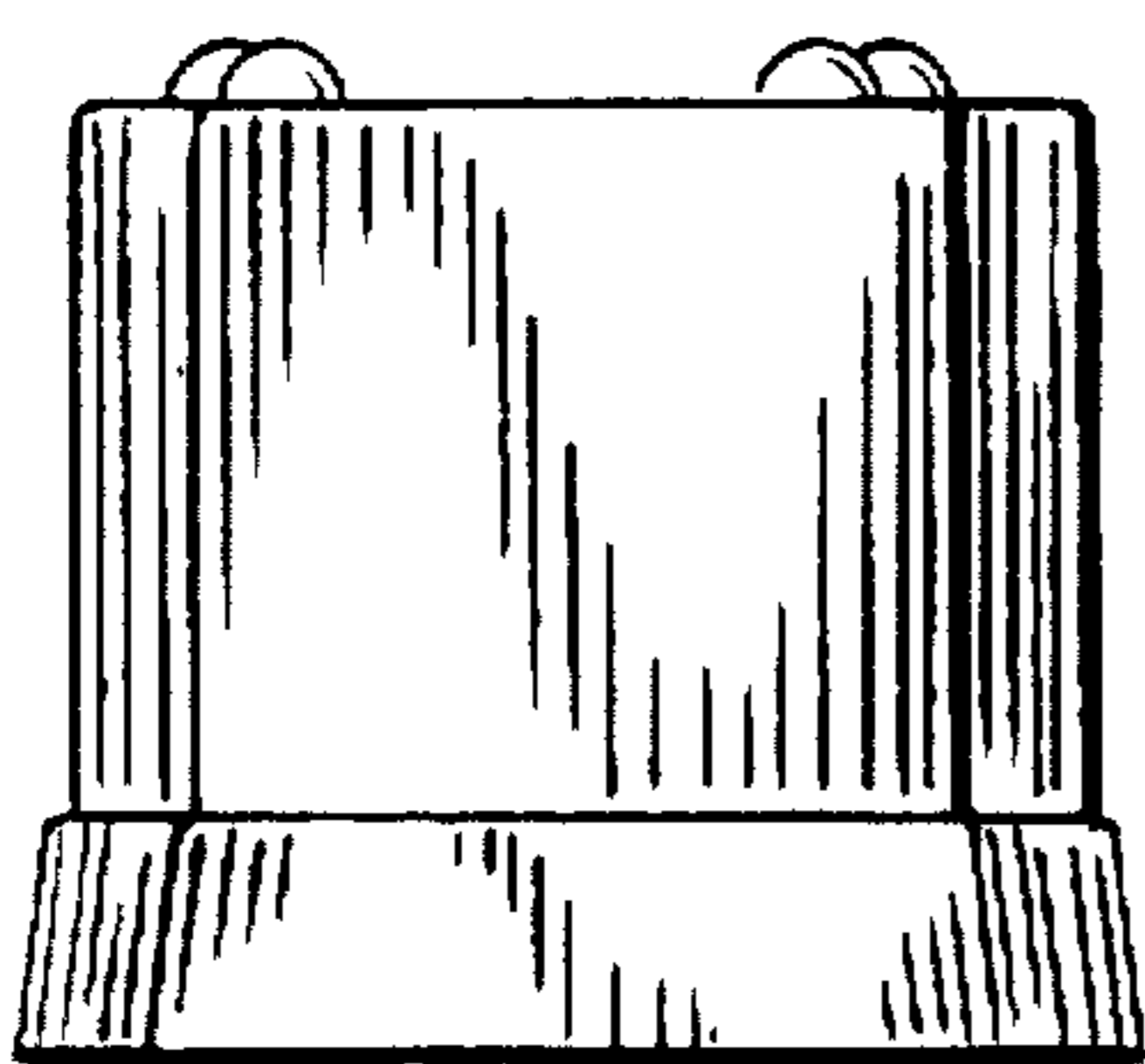


FIG. 3

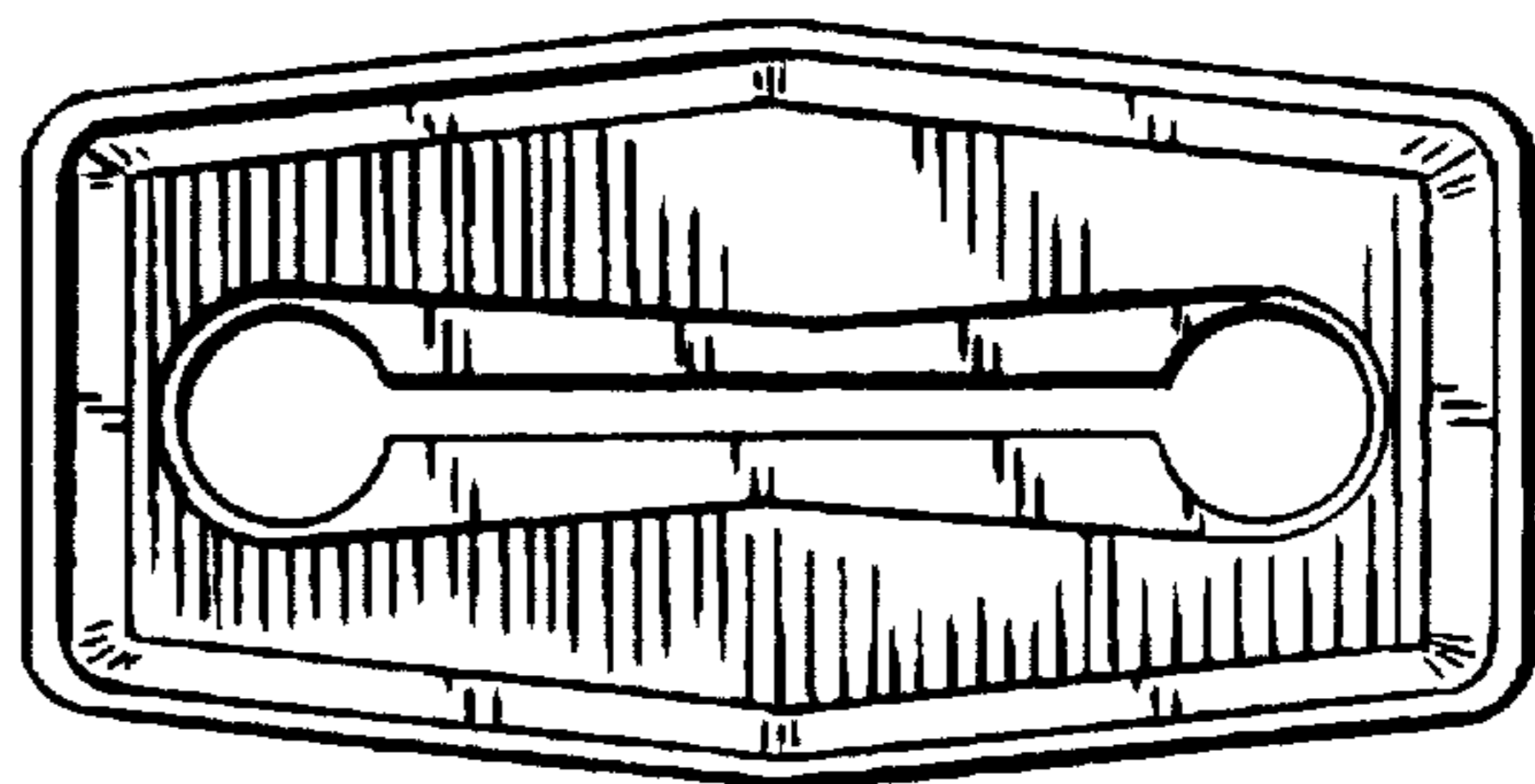


FIG. 5