



US00D395223S

United States Patent [19]
Everly

[11] **Patent Number: Des. 395,223**

[45] **Date of Patent: **Jun. 16, 1998**

[54] **GATE LATCH**

[76] **Inventor: Ron H. Everly, Rte. 2, Box 43,
Halfway, Mo. 65663**

[**] **Term: 14 Years**

[21] **Appl. No.: 61,928**

[22] **Filed: Nov. 4, 1996**

[51] **LOC (6) Cl. 08-07**

[52] **U.S. Cl. D8/336**

[58] **Field of Search D8/330, 331, 336,
D8/339, 338, 341, 343; 292/DIG. 13, DIG. 29,
340, 341.15, 281, 262, 264**

[56] **References Cited**

U.S. PATENT DOCUMENTS

D. 317,247 6/1991 Wells D8/336

Primary Examiner—Brian N. Vinson
Attorney, Agent, or Firm—Harpman & Harpman

[57] **CLAIM**

The ornamental design for a gate latch, as shown and described.

DESCRIPTION

FIG. 1 is a front, top and side perspective view of the gate latch embodying the design of the present invention;

FIG. 2 is a front elevational view thereof;

FIG. 3 is a rear elevational view thereof;

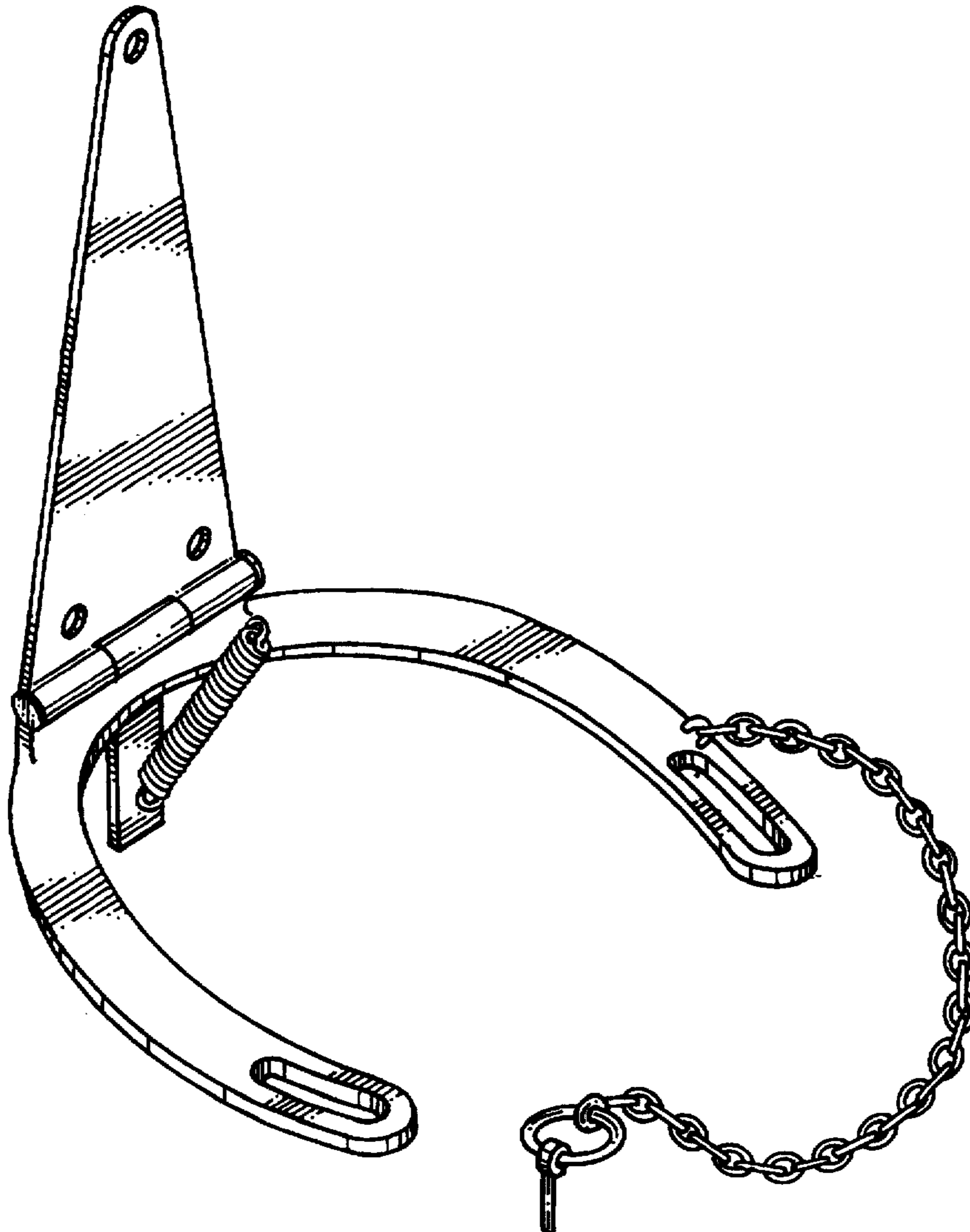
FIG. 4 is a right side elevational view thereof;

FIG. 5 is a left side elevational view thereof;

FIG. 6 is a top plan view thereof; and,

FIG. 7 is a bottom plan view thereof.

1 Claim, 4 Drawing Sheets



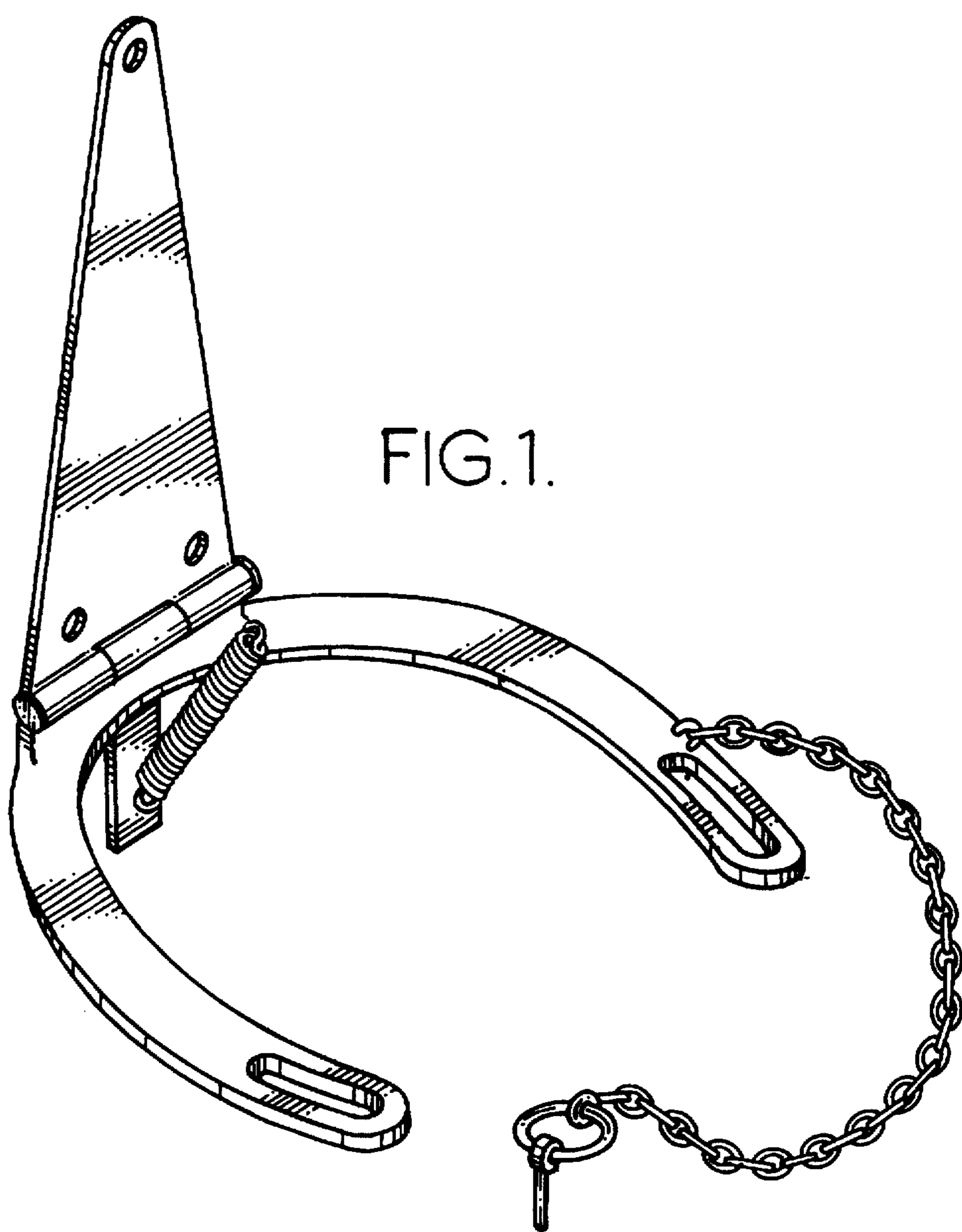


FIG. 1.

FIG. 6.

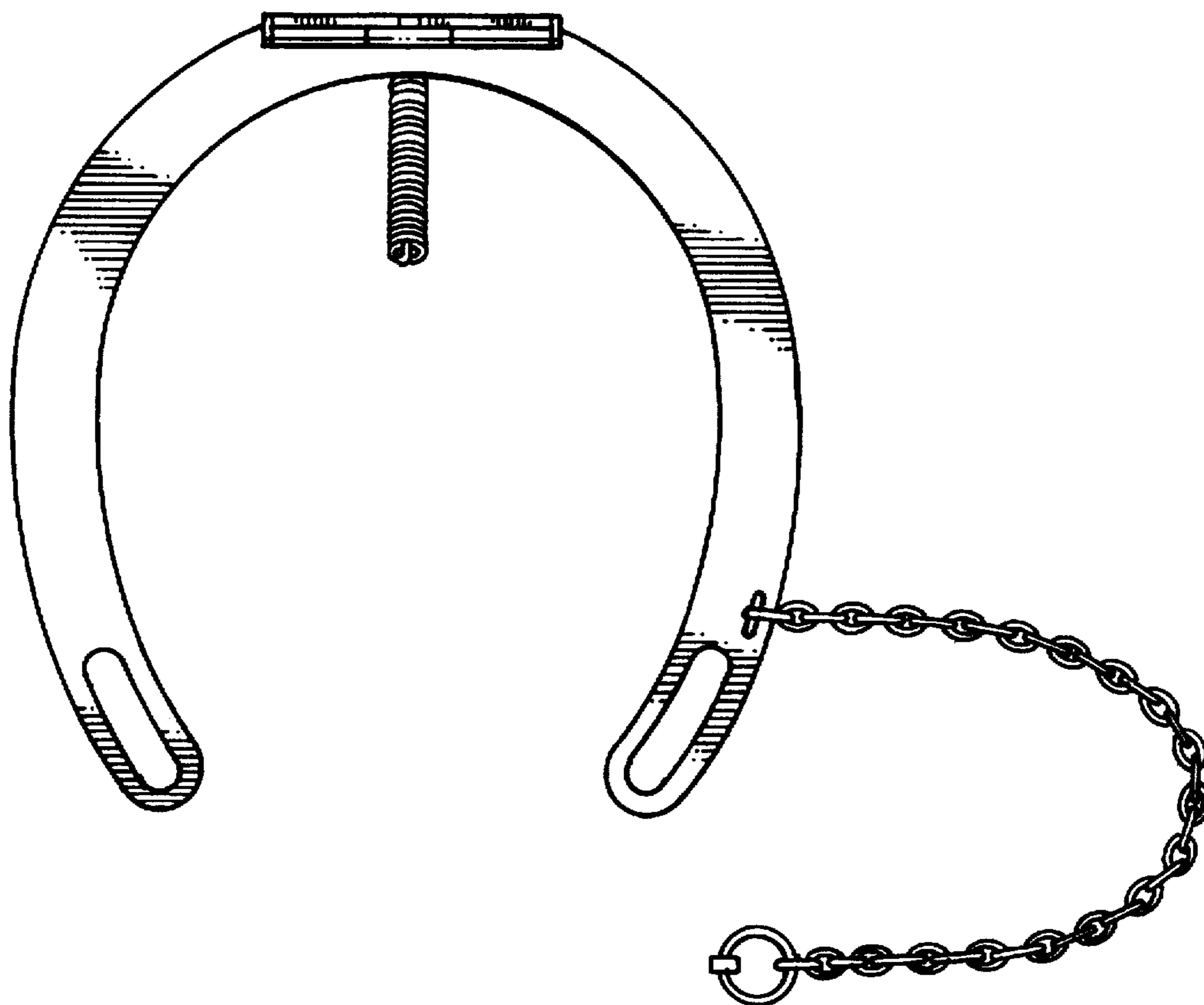


FIG. 2.

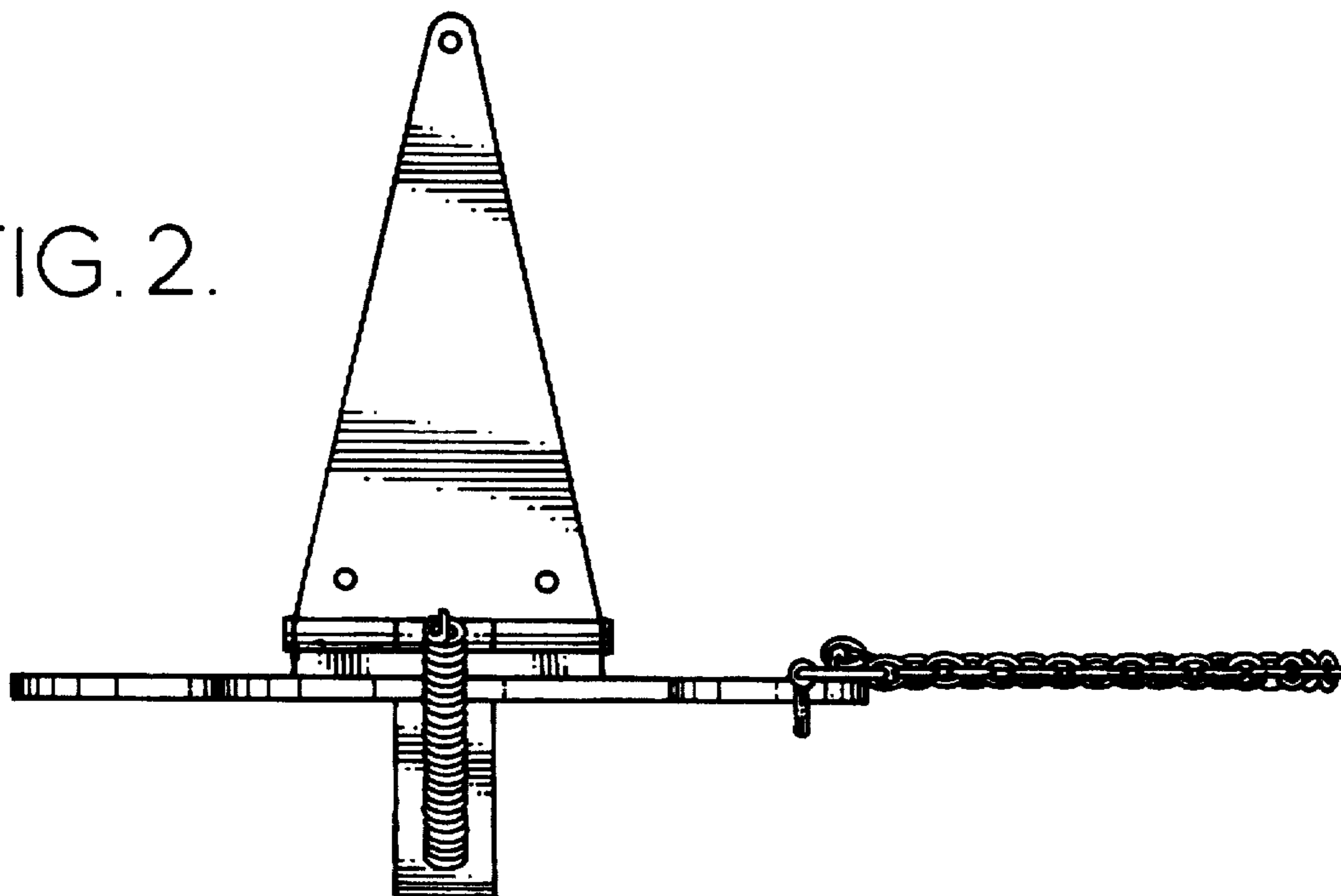


FIG. 3.

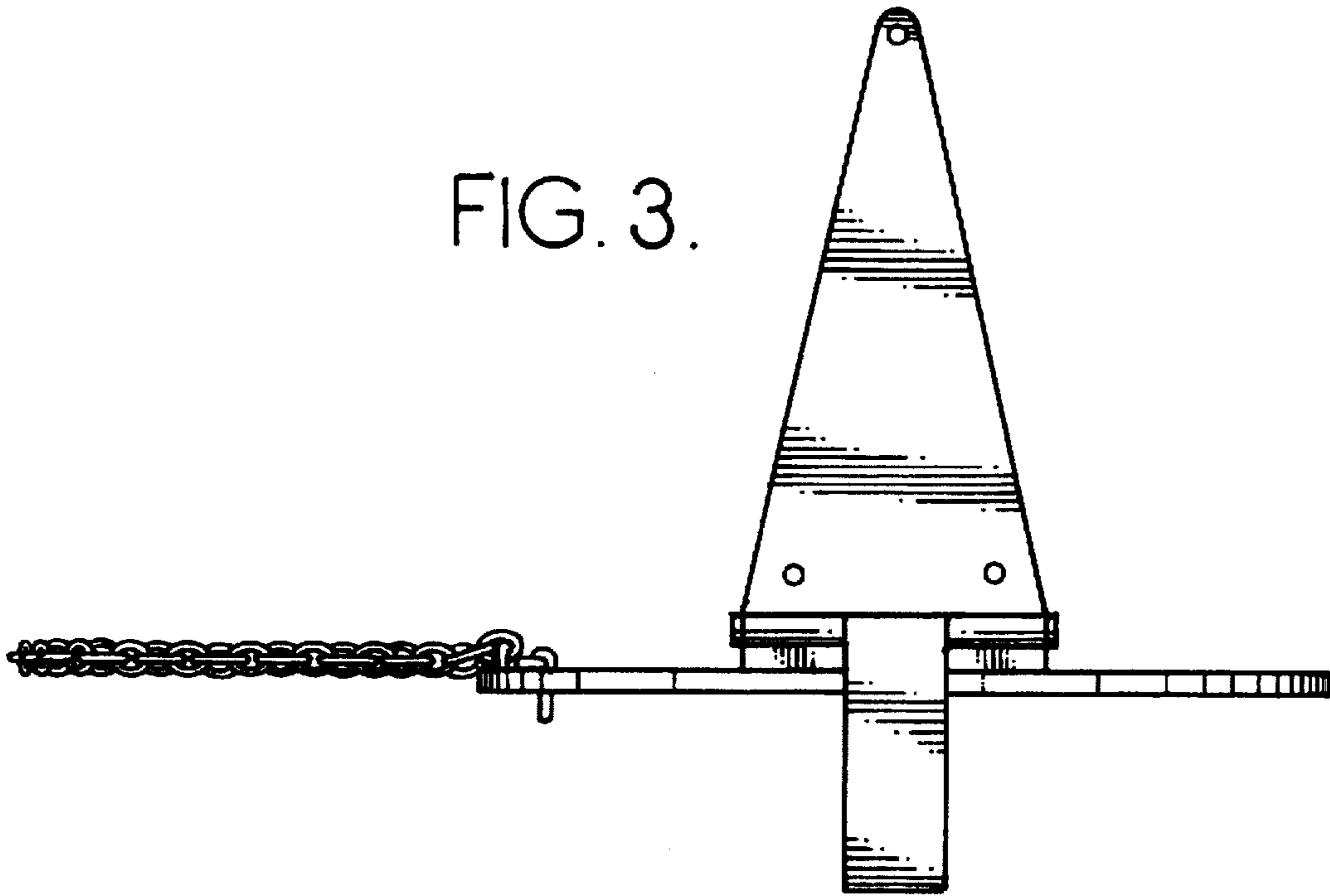


FIG. 5.

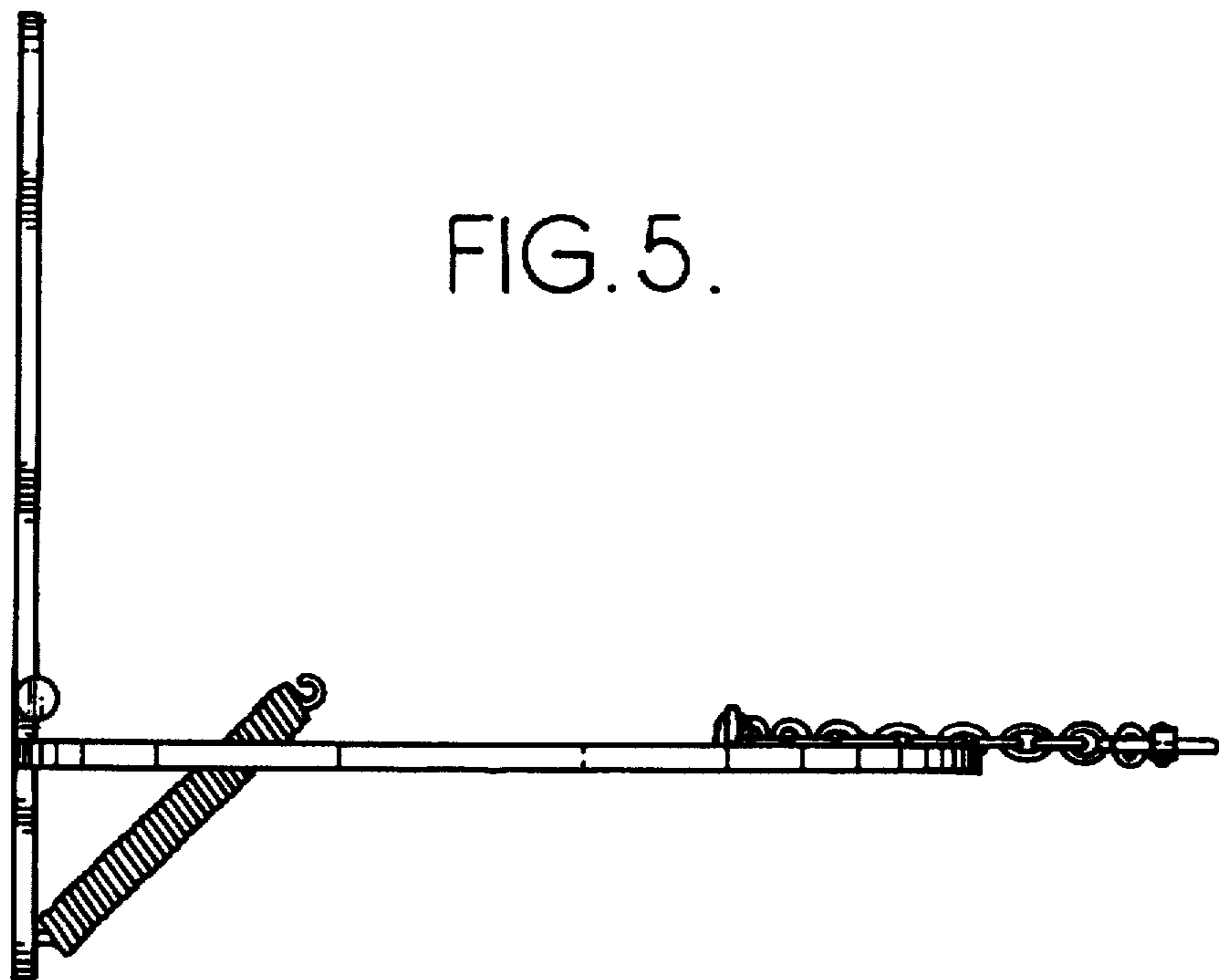


FIG. 4.

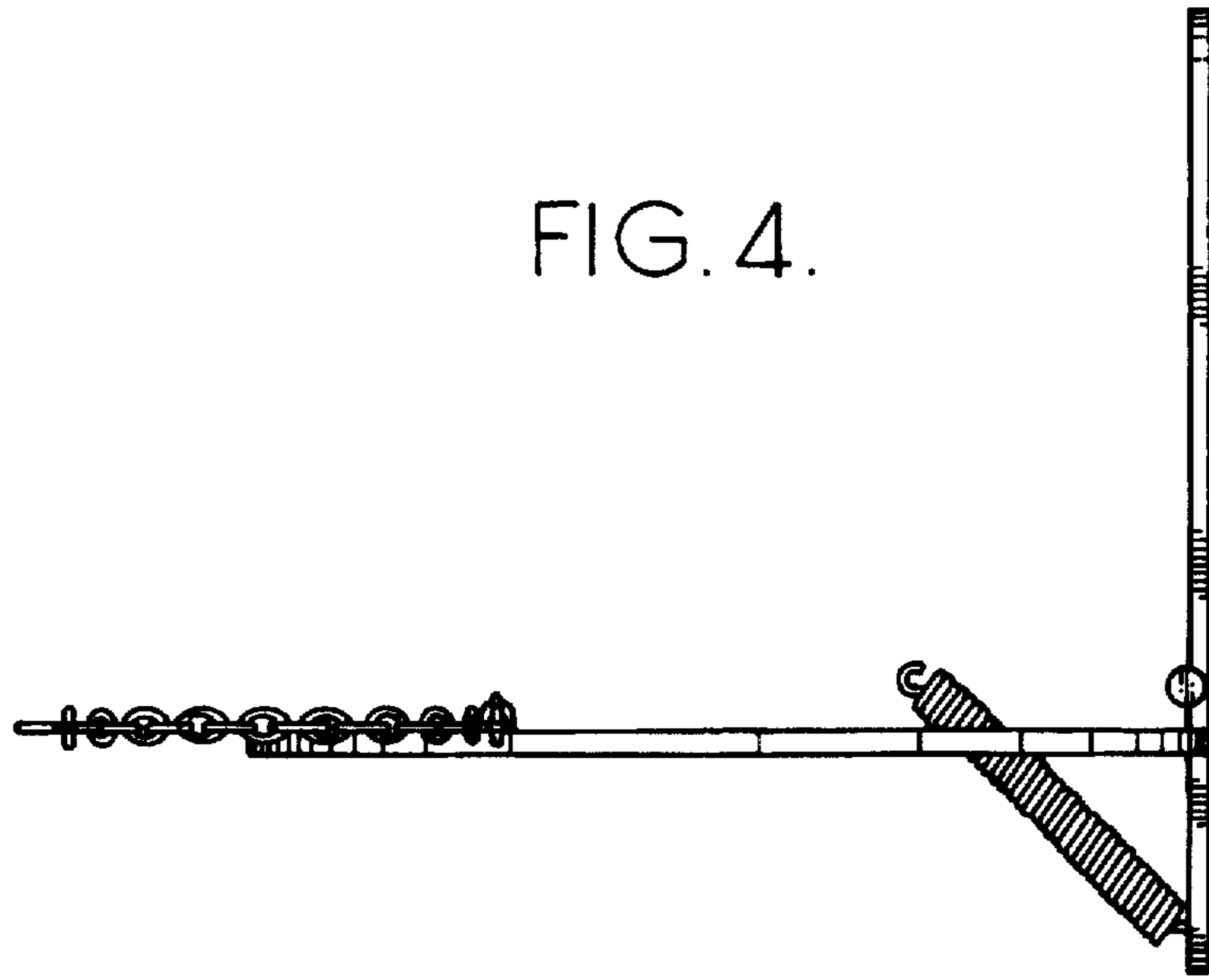


FIG. 7.

