



US00D395218S

United States Patent [19] Martin

[11] Patent Number: **Des. 395,218**

[45] Date of Patent: ****Jun. 16, 1998**

[54] **HAND SAW HANDLE**

[75] Inventor: **James A. Martin**, Baltimore, Md.

[73] Assignee: **The Stanley Works**, New Britain, Conn.

[**] Term: **14 Years**

[21] Appl. No.: **67,441**

[22] Filed: **Mar. 3, 1997**

[51] LOC (6) Cl. **08-03**

[52] U.S. Cl. **D8/97**

[58] Field of Search D8/95, 96, 97,
D8/107, 300; 30/511, 513, 514, 517, 506,
339

[56] **References Cited**

U.S. PATENT DOCUMENTS

- D. 139,218 10/1944 Wickbergh .
- D. 152,760 2/1949 Weaver .
- D. 251,825 5/1979 Breger .
- D. 251,964 5/1979 Breger .
- D. 260,072 8/1981 Covey .
- D. 269,848 7/1983 Covey D8/95

- D. 317,395 6/1991 Landahl .
- D. 321,119 10/1991 Ciccone, III et al. .
- D. 333,249 2/1993 Ciccone, III et al. D8/97
- 2,639,521 5/1953 Rickettson .
- 3,656,594 4/1972 Marks et al. .
- 5,388,333 2/1995 Chen 30/513

Primary Examiner—Philip S. Hyder
Attorney, Agent, or Firm—Pepe & Hazard LLP

[57] **CLAIM**

The ornamental design for a hand saw handle, as shown and described.

DESCRIPTION

FIG. 1 is a perspective view of a saw blade handle showing my new design with a saw blade and fasteners shown in phantom line;

FIG. 2 is a top view thereof drawn to an enlarged scale;

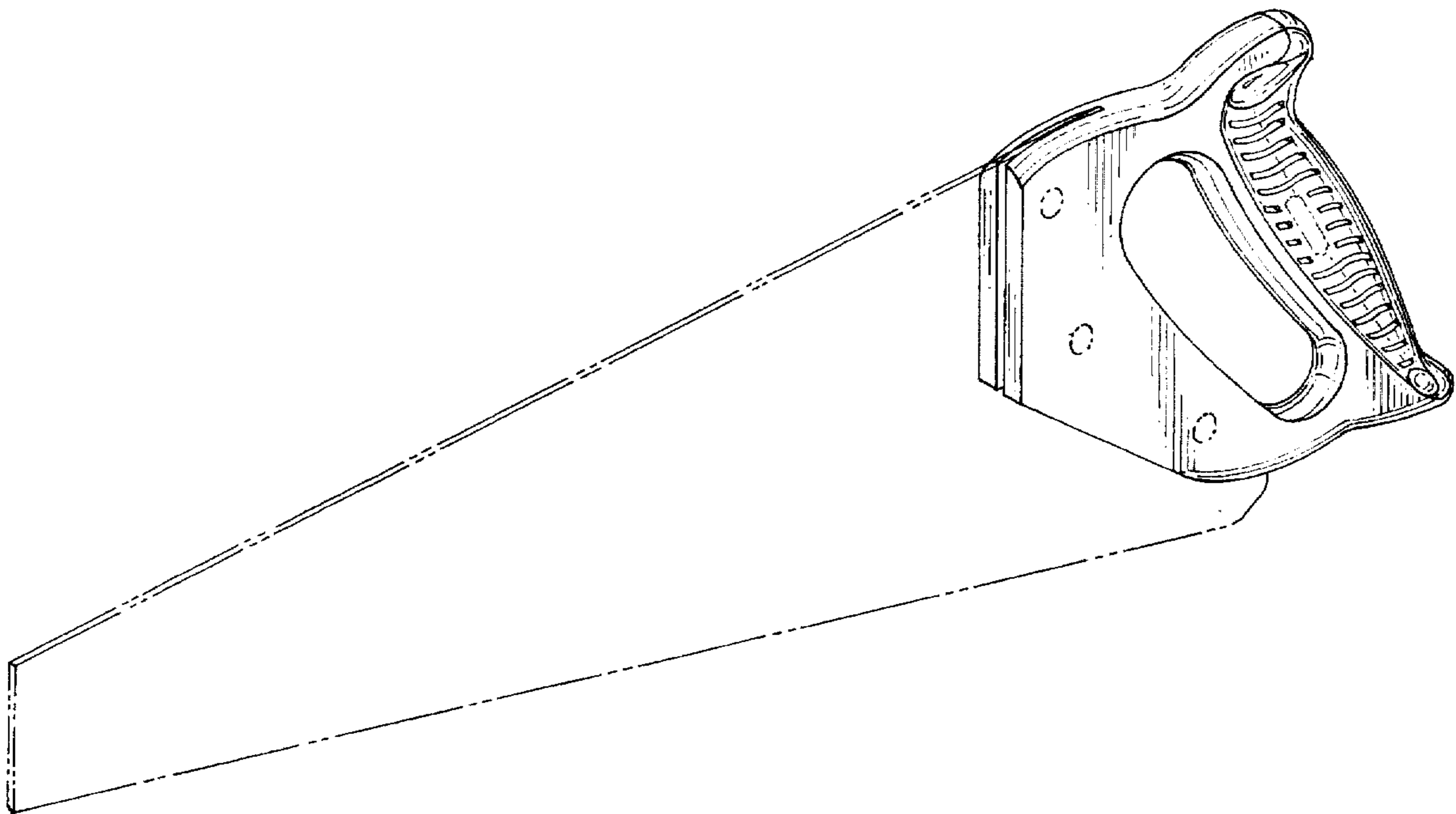
FIG. 3 is a bottom view thereof;

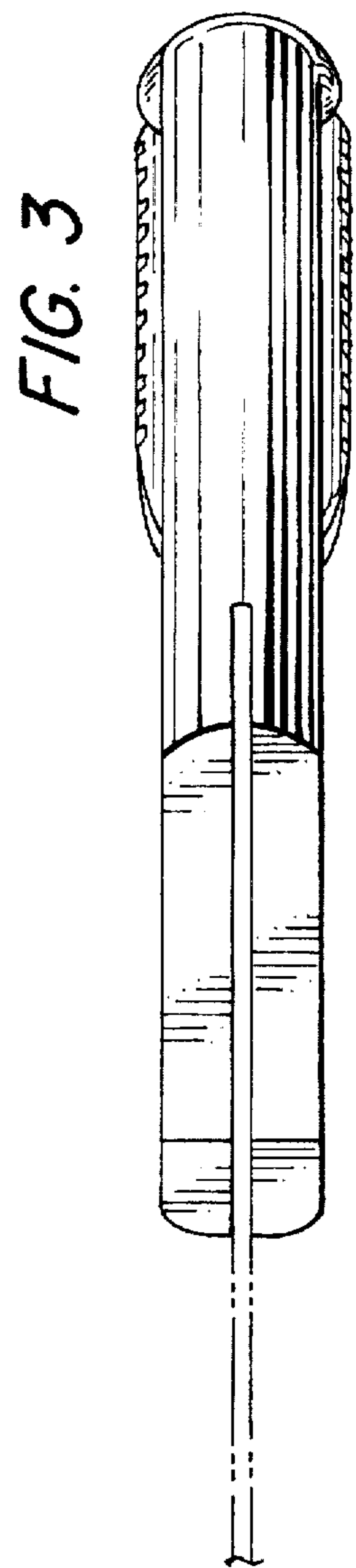
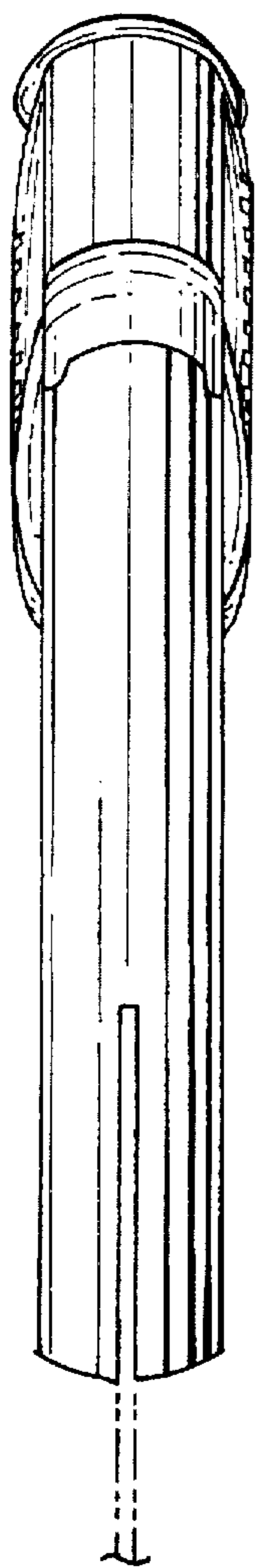
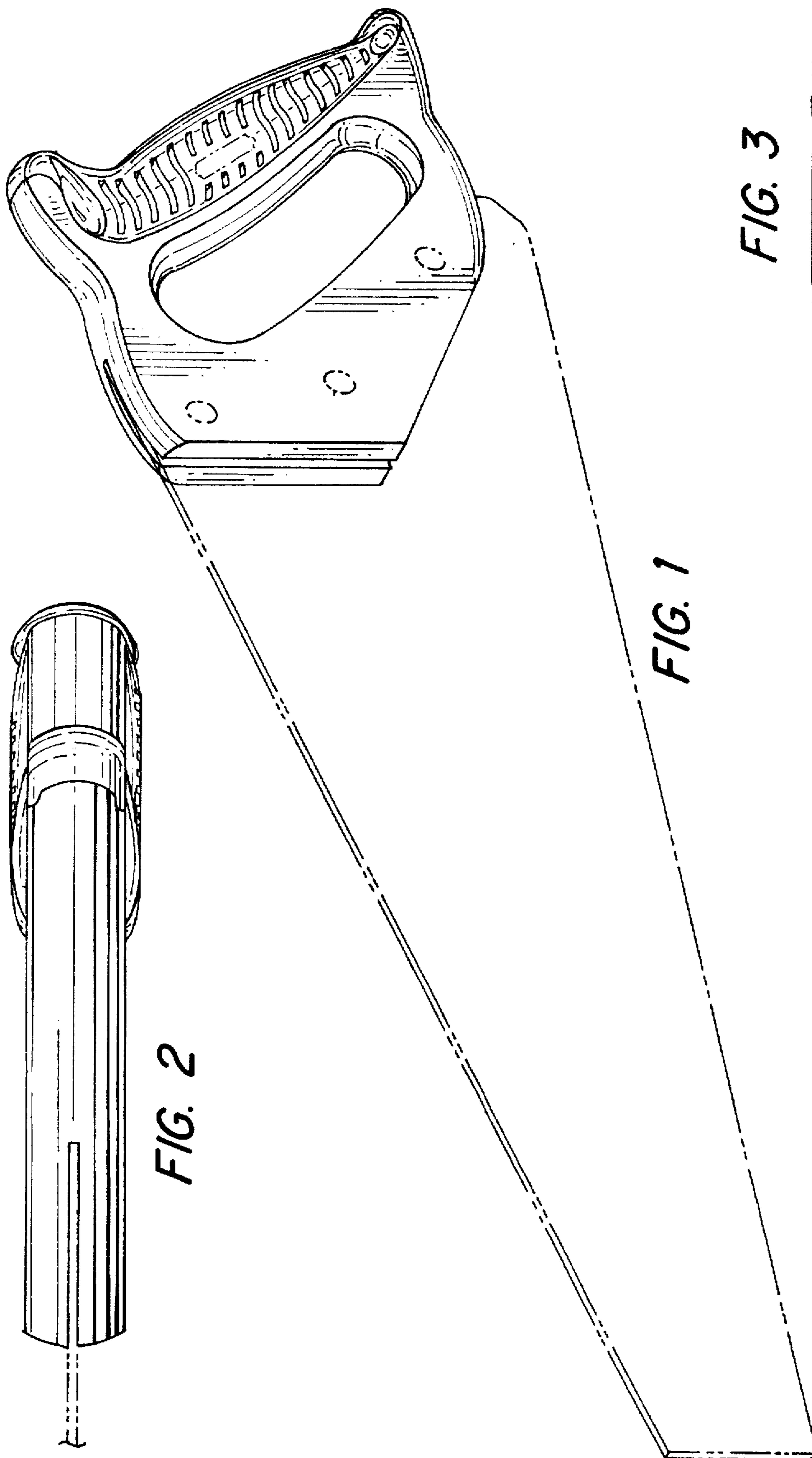
FIG. 4 is a side elevational view thereof with the sawblade fragmentarily shown in phantom line;

FIG. 5 is an elevational view of the front or blade end thereof; and,

FIG. 6 is an elevational view of the rear end thereof.

1 Claim, 2 Drawing Sheets





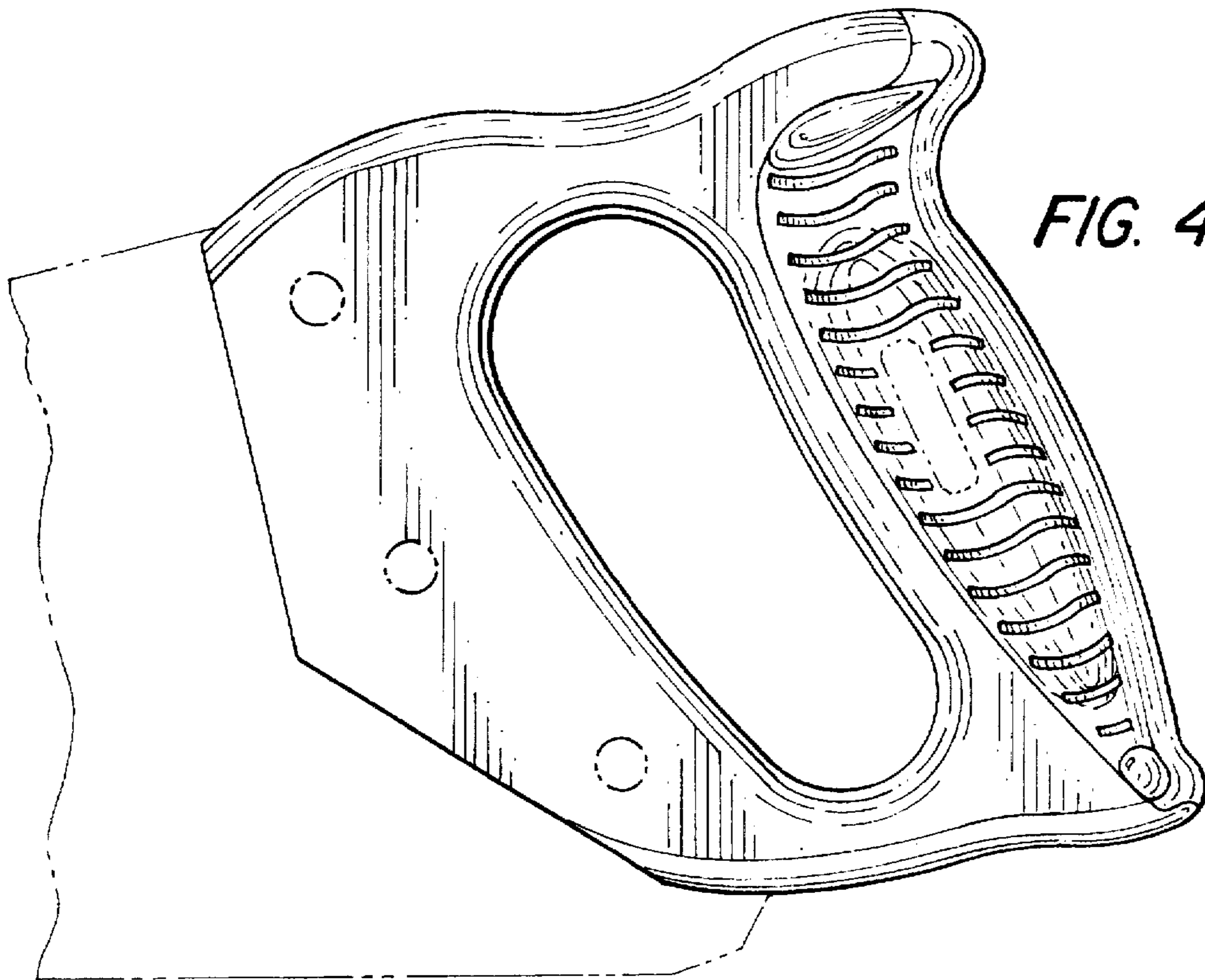


FIG. 4

FIG. 5

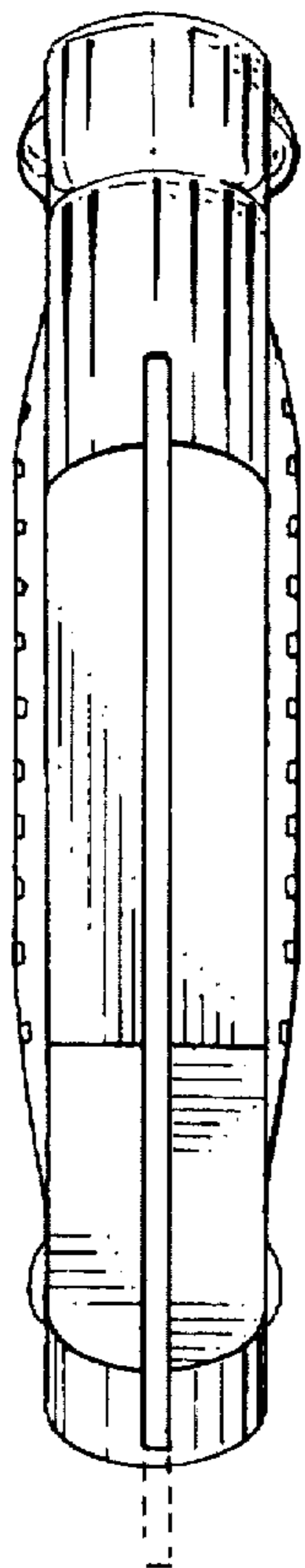


FIG. 6

