



US00D395215S

United States Patent [19]

Siemion et al.

[11] Patent Number: **Des. 395,215**

[45] Date of Patent: ****Jun. 16, 1998**

[54] **BOTTLE OPENER**

[75] Inventors: **Brandon Siemion, Denville; Timothy D. O'Keeffe, Budd Lake, both of N.J.**

[73] Assignee: **Product Link, Inc., Denville, N.J.**

[**] Term: **14 Years**

[21] Appl. No.: **61,098**

[22] Filed: **Oct. 16, 1996**

[51] **LOC (6) CL. 07-99**

[52] **U.S. Cl. D8/40; D8/33**

[58] **Field of Search D8/18, 33-43; 7/151-156; 81/3.07, 3.09, 3.55**

[56] **References Cited**

U.S. PATENT DOCUMENTS

D. 373,941	9/1996	Davis	D8/18 X
647,862	4/1900	McLaughlin	30/291
946,494	1/1910	Colebeck	30/291
1,204,305	11/1916	Nagy	81/3.27
1,301,128	4/1919	Hibner	30/432
2,118,159	5/1938	Castner	81/3.55
2,754,582	7/1956	Klok	30/450
3,495,284	2/1970	Weingardt	D8/40 X
4,492,132	1/1985	Obey	81/3.09
4,569,653	2/1986	Becker et al.	431/253
4,667,544	5/1987	Milo	81/3.09

4,765,208	8/1988	Sakosky	81/3.55
4,825,728	5/1989	Mitchell	81/3.09
4,869,134	9/1989	Sprecher	81/3.09
4,919,016	4/1990	Hanegraaf	81/3.55
5,029,495	7/1991	Rosenberger	81/3.09
5,069,090	12/1991	Clark	81/3.09
5,070,563	12/1991	Tervola	7/169
5,222,265	6/1993	Hermansson	7/156
5,257,566	11/1993	Schultz	81/3.55
5,261,299	11/1993	Kondos	81/3.09
5,313,859	5/1994	Garby et al.	81/3.55

Primary Examiner—Caron D. Veynar
Attorney, Agent, or Firm—Darby & Darby

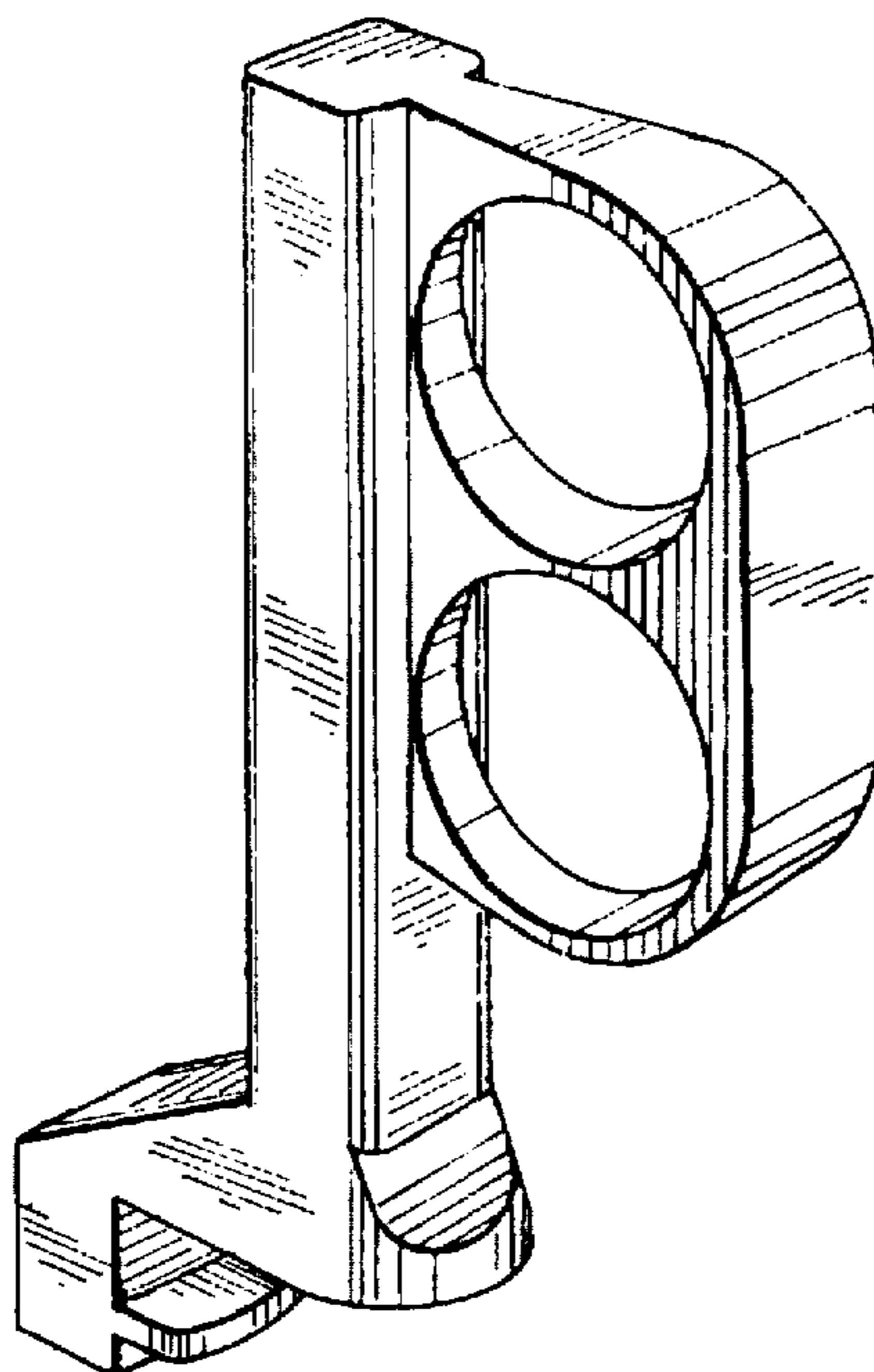
[57] **CLAIM**

The ornamental design for a bottle opener, as shown and described.

DESCRIPTION

FIG. 1 is a perspective view of a bottle opener showing our new design;
FIG. 2 is a front elevation view thereof;
FIG. 3 is a right side elevation view thereof, the left side elevation view being a mirror image thereof;
FIG. 4 is a rear elevation view thereof;
FIG. 5 is a top plan view thereof; and,
FIG. 6 is a bottom plan view thereof.

1 Claim, 2 Drawing Sheets



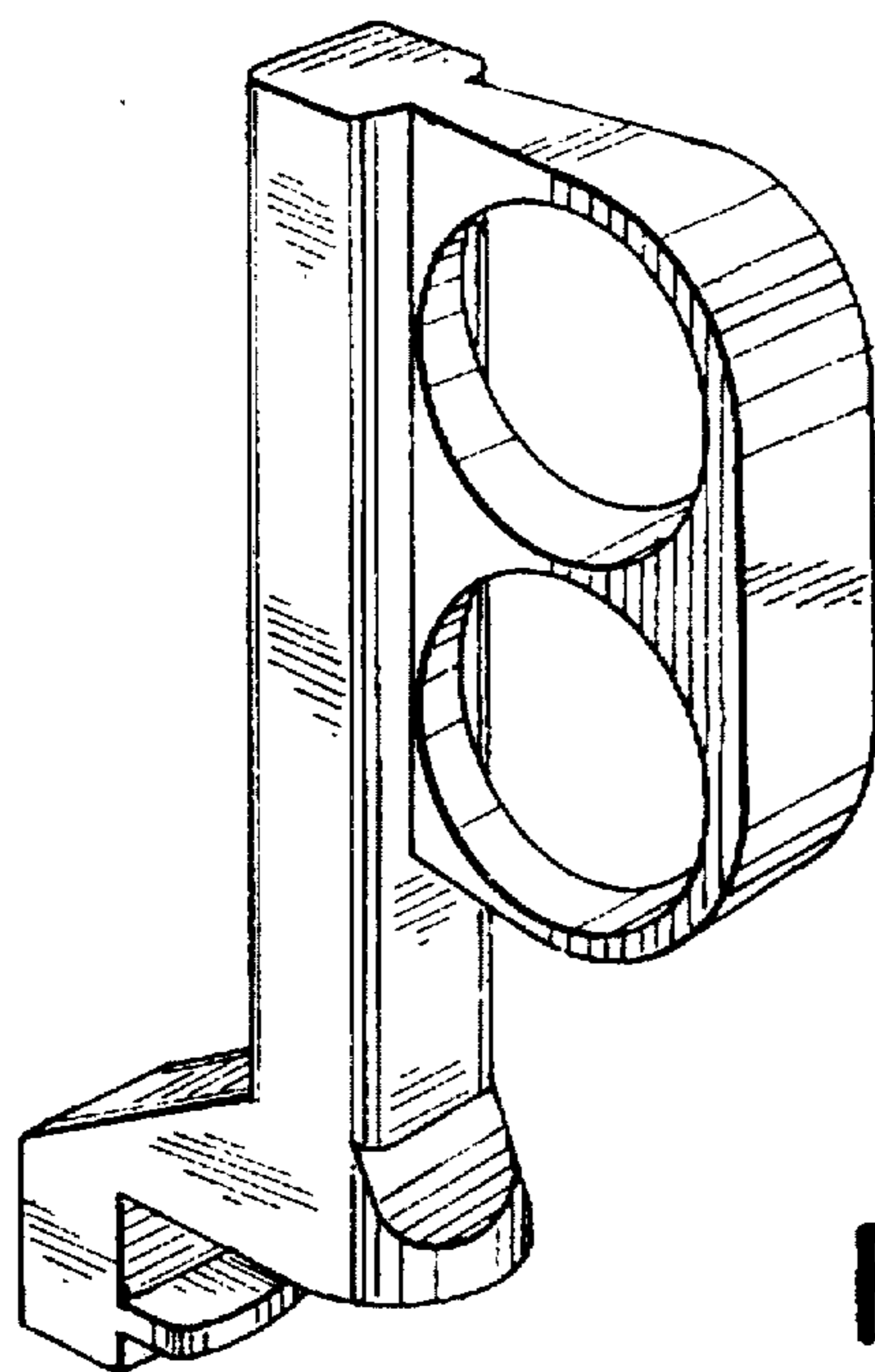


FIG. 1

FIG. 2

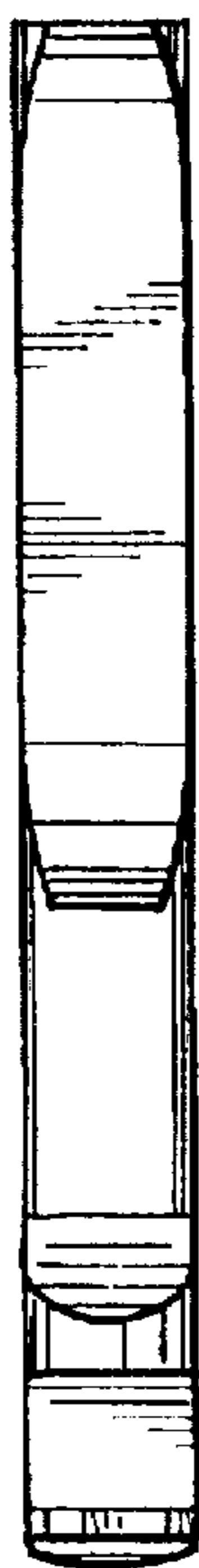
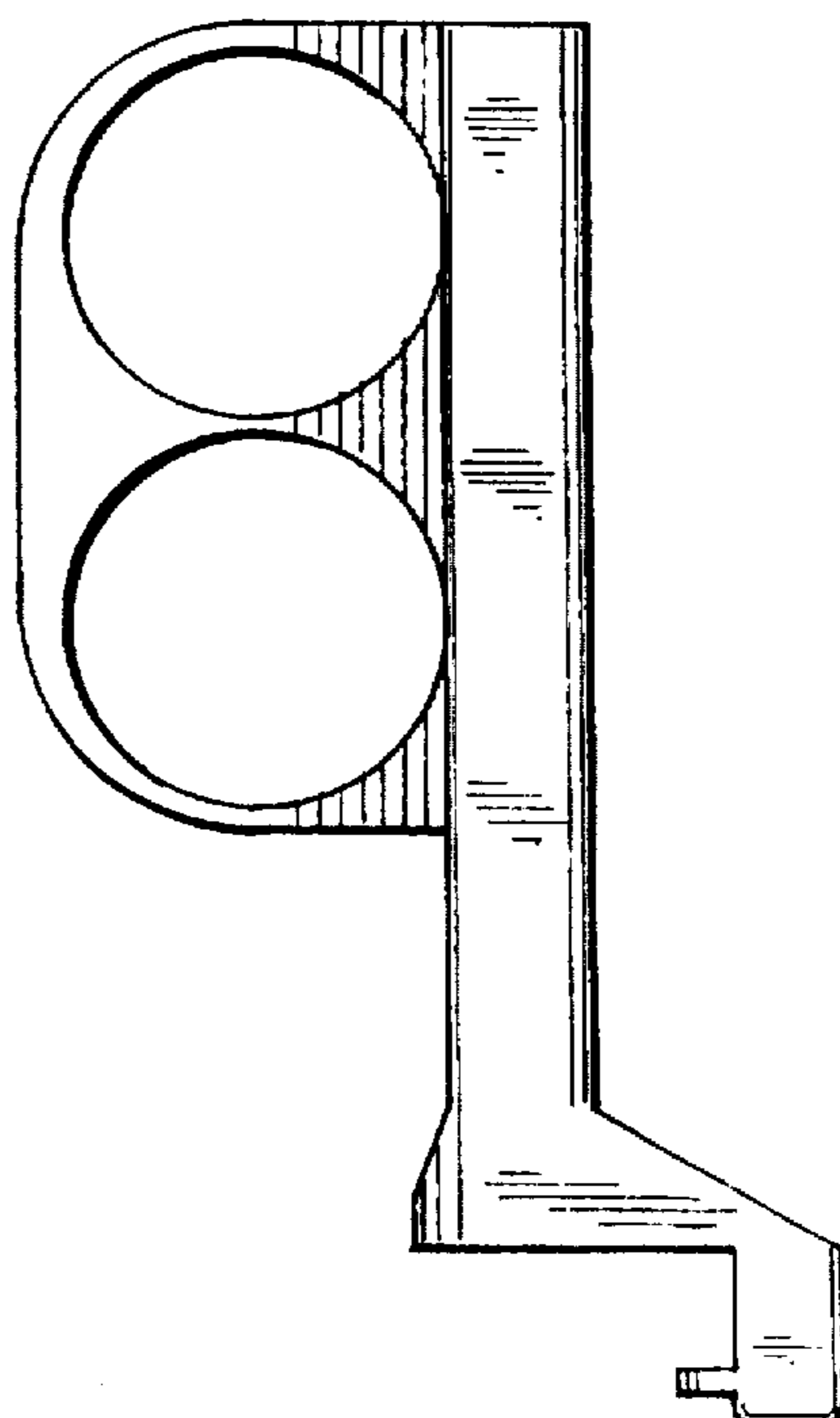


FIG. 3



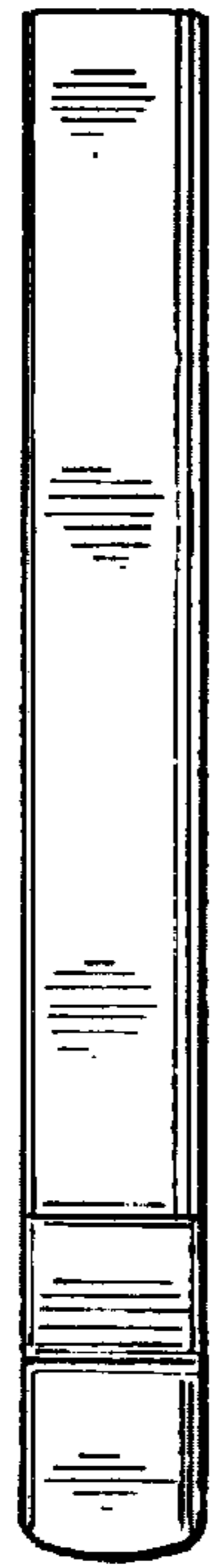


FIG. 4

FIG. 5



FIG. 6

