



US00D395214S

**United States Patent** [19]  
**Murphy, Jr.**

[11] **Patent Number: Des. 395,214**

[45] **Date of Patent: \*\*Jun. 16, 1998**

[54] **LOCKNUT STARTING TOOL**

4,836,065 6/1989 Setiff ..... 81/124.2

[76] **Inventor: Thomas A. Murphy, Jr.** 5120  
Chambers Dr., Barrington, Ill. 60010

*Primary Examiner*—Ted Shooman  
*Assistant Examiner*—Richelle Shelton

[\*\*] **Term: 14 Years**

[57] **CLAIM**

[21] **Appl. No.: 73,265**

The ornamental design for a locknut starting tool, as shown and described.

[22] **Filed: Jul. 21, 1997**

**DESCRIPTION**

[51] **LOC (6) Cl. .... 08-05**

[52] **U.S. Cl. .... D8/21**

[58] **Field of Search .... D8/14, 21-29;**  
7/138; 81/121.1, 124.2, 124.3, 124.6, 124.7

FIG. 1 is an exploded perspective view of a locknut starting tool showing my new design;

FIG. 2 is a front elevational view thereof, the rear elevational view being a mirror image of the view shown in this Figure;

FIG. 3 is a right end elevational view thereof, the left end elevational view being a mirror image of the view shown in this Figure;

FIG. 4 is a top plan view thereof; and,

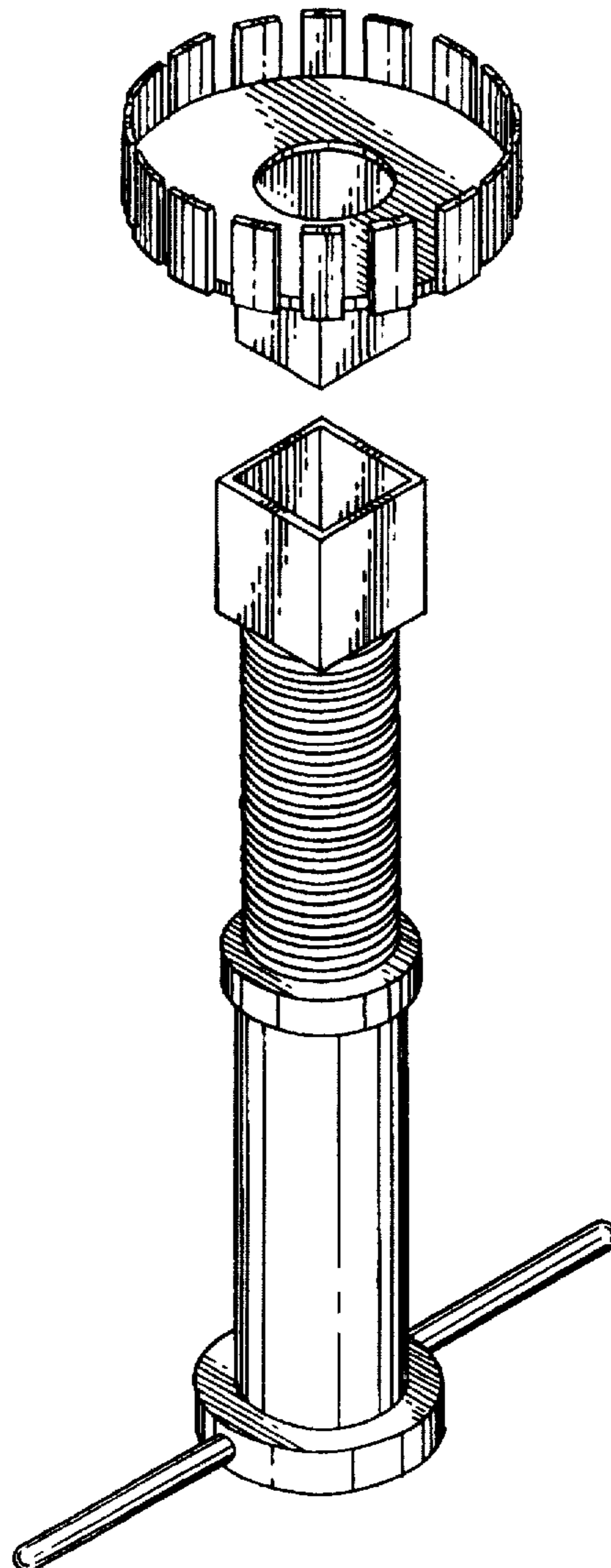
FIG. 5 is a bottom plan view thereof.

[56] **References Cited**

**U.S. PATENT DOCUMENTS**

D. 311,315 10/1990 Duke ..... D8/25  
863,551 8/1907 Mulrony ..... 81/121.1  
1,397,876 11/1921 Meldal ..... 81/176.15  
4,601,077 7/1986 Doty ..... 7/138

**1 Claim, 3 Drawing Sheets**



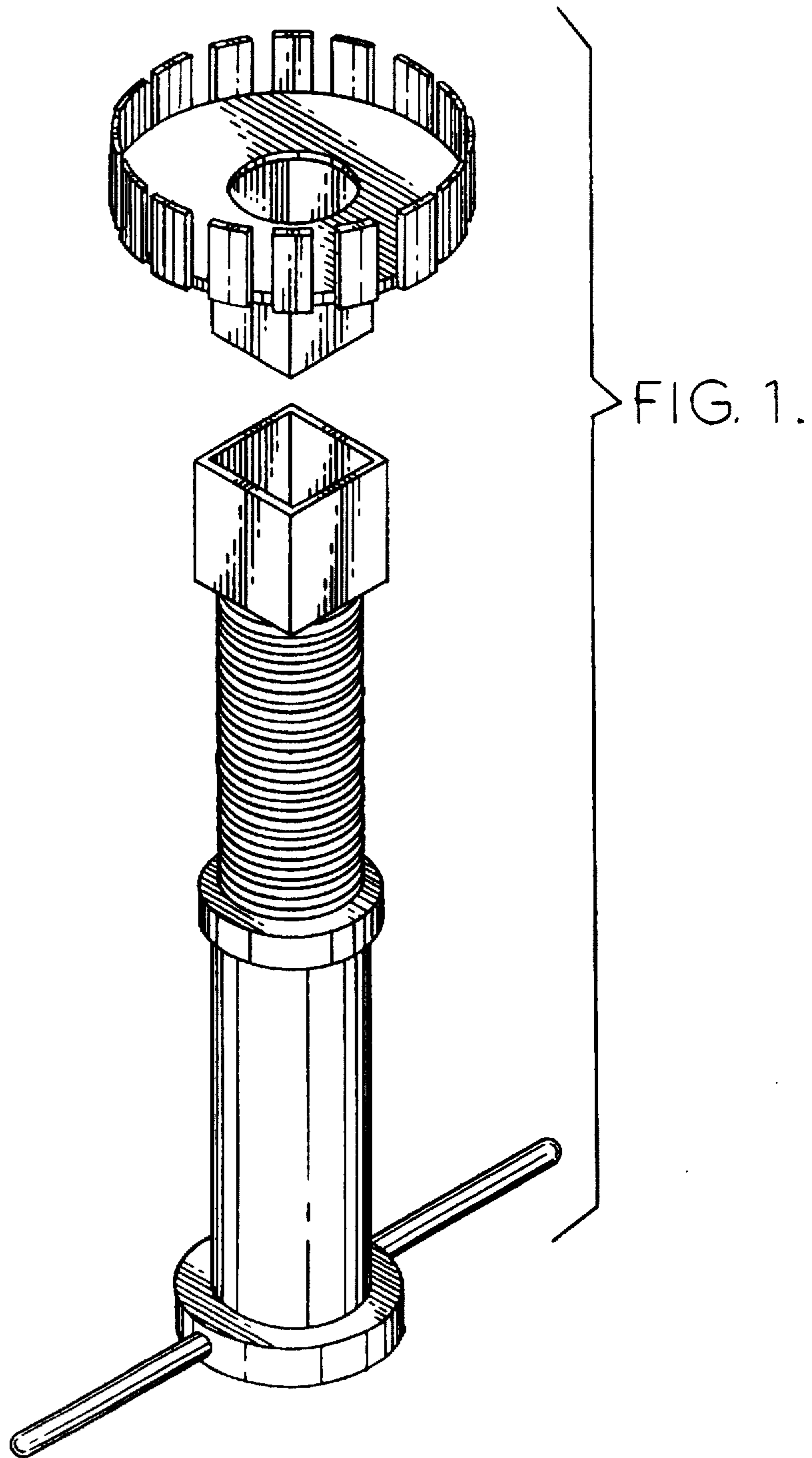


FIG. 3

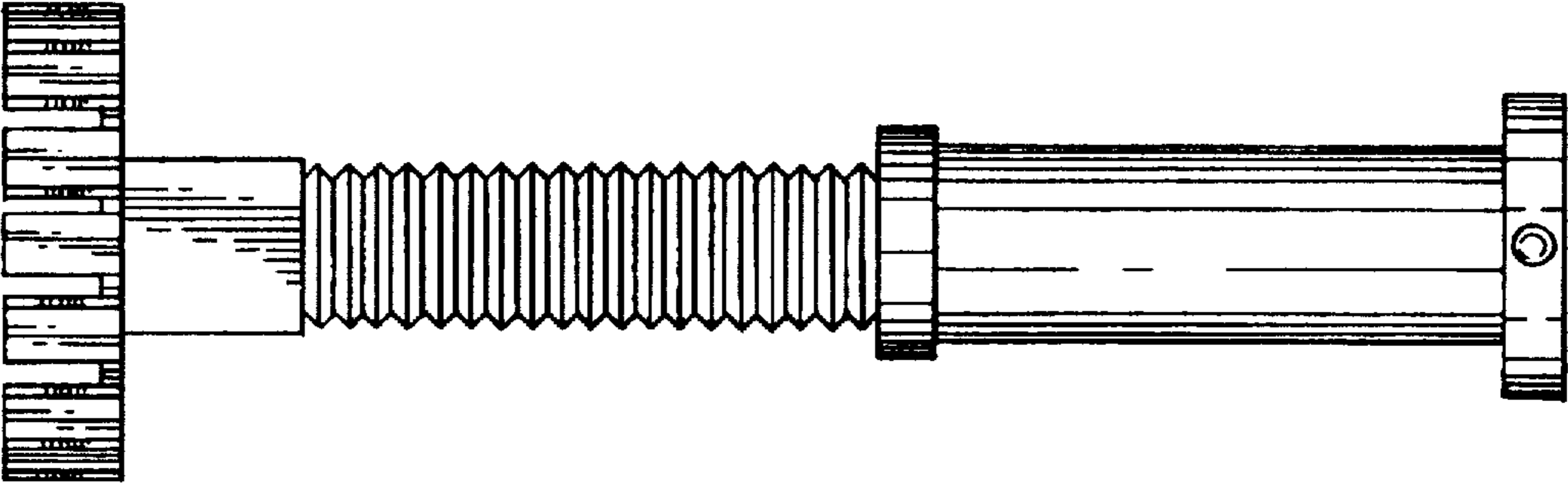


FIG. 2

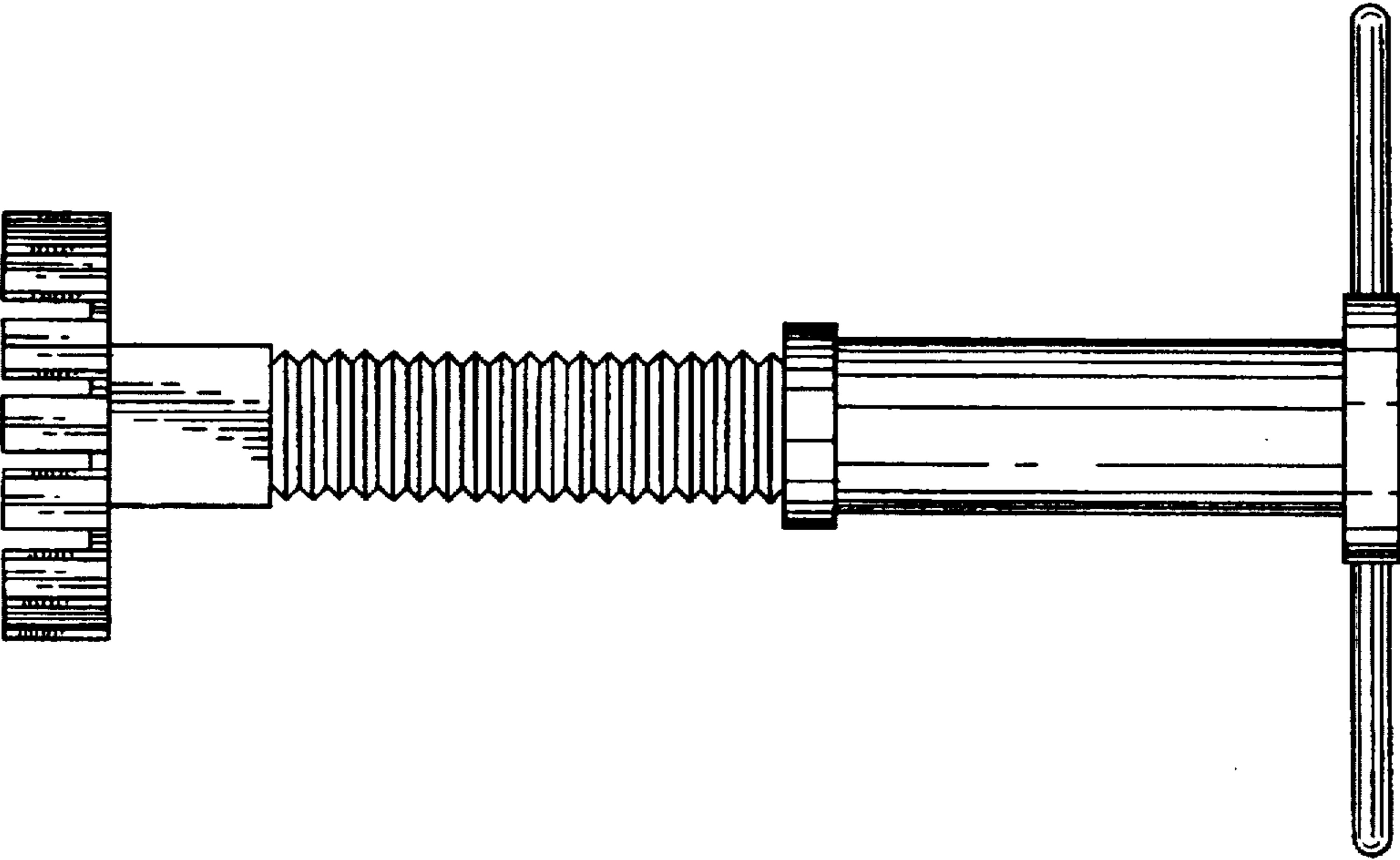


FIG. 4

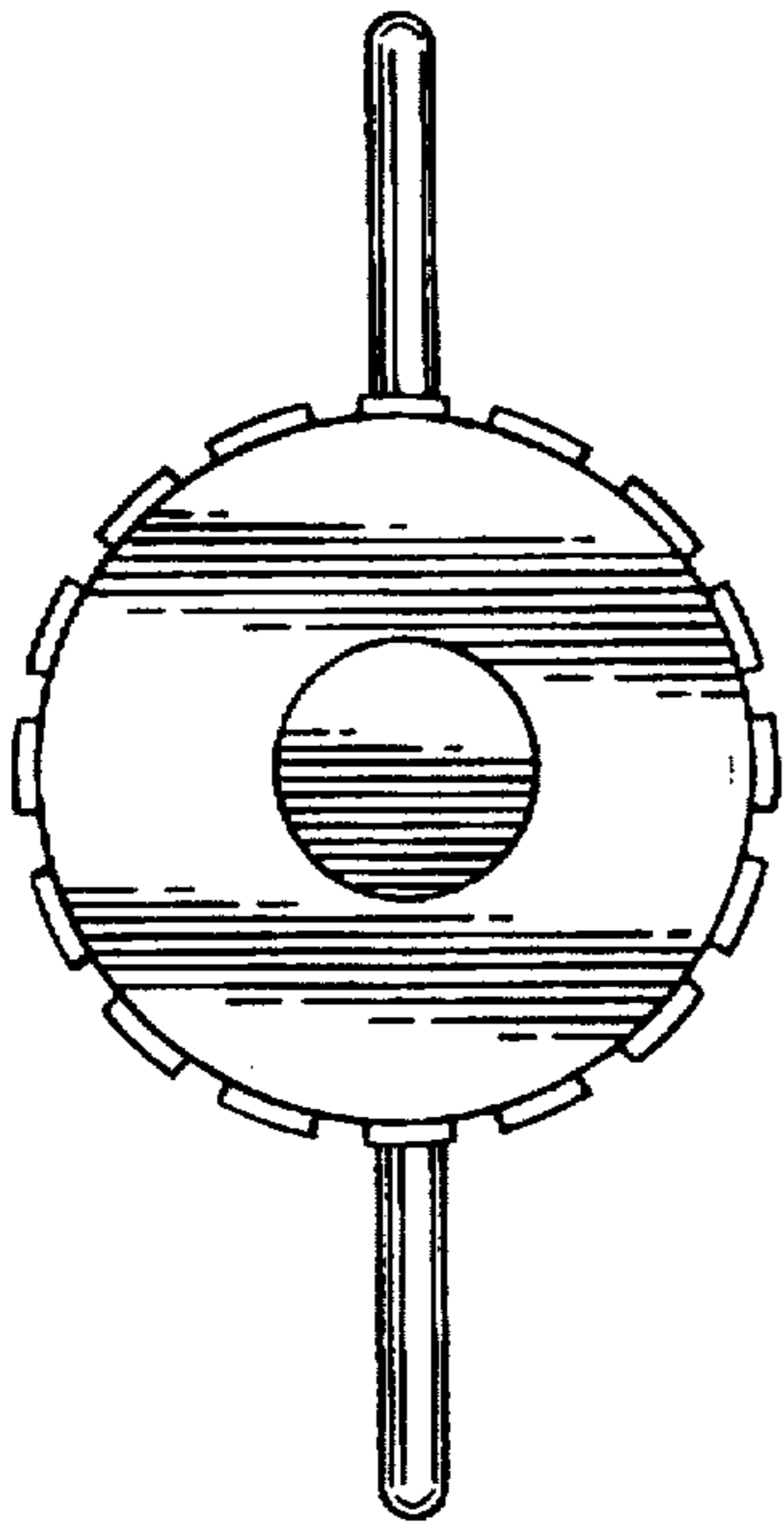


FIG. 5

