



US00D395212S

**United States Patent** [19]  
**Vosbikian**

[11] **Patent Number: Des. 395,212**

[45] **Date of Patent: \*\*Jun. 16, 1998**

[54] **SNOW SHOVEL**

4,991,324 2/1991 Fine et al. .  
5,228,734 7/1993 Pollastro .  
5,419,600 5/1995 Tisbo et al. .

[76] **Inventor: Peter Vosbikian, 408 Pond View Dr.,  
Moorestown, N.J. 08051**

**OTHER PUBLICATIONS**

Union Fork and Hoe Catalog, p. 21, snow shovels, any one on page, Dec. 1986.

[\*\*] **Term: 14 Years**

*Primary Examiner*—Holly Baynham

[21] **Appl. No.: 65,694**

[22] **Filed: Jan. 11, 1997**

[57] **CLAIM**

[51] **LOC (6) Cl. .... 08-05**

[52] **U.S. Cl. .... D8/10**

[58] **Field of Search ..... D8/10; 294/49,  
294/54.5, 54, 55**

The ornamental design for a snow shovel, as shown and described.

**DESCRIPTION**

[56] **References Cited**

**U.S. PATENT DOCUMENTS**

D. 257,210	10/1980	Bonnes .	
D. 298,906	12/1988	Bonnes .	
D. 328,553	8/1992	Norton et al. ....	D8/10
D. 329,176	9/1992	Norton et al. .	
D. 360,564	7/1995	Tisbo et al. ....	D8/10
D. 361,482	8/1995	Fugal .	
D. 363,653	10/1995	Tisbo et al. .	
D. 381,375	7/1997	Spear et al. ....	D8/10
860,086	7/1907	Gifford .	
930,660	8/1909	Gifford .	
996,621	7/1911	Danielson .	
3,177,026	4/1965	Cowan .	
4,149,744	4/1979	Bonnes .	
4,247,141	1/1981	Grint .	
4,248,466	2/1981	Carper .	
4,280,727	7/1981	German .	
4,655,494	4/1987	Eads et al. .	
4,865,373	9/1989	Hudson .	

FIG. 1 is a front elevation view of a snow shovel embodying my invention;

FIG. 2 is a rear elevation view of the snow shovel shown in FIG. 1 and embodying my invention;

FIG. 3 is a side elevation of the right side of the snow shovel illustrated in FIG. 1 and embodying my invention; the left is a mirror image of the right;

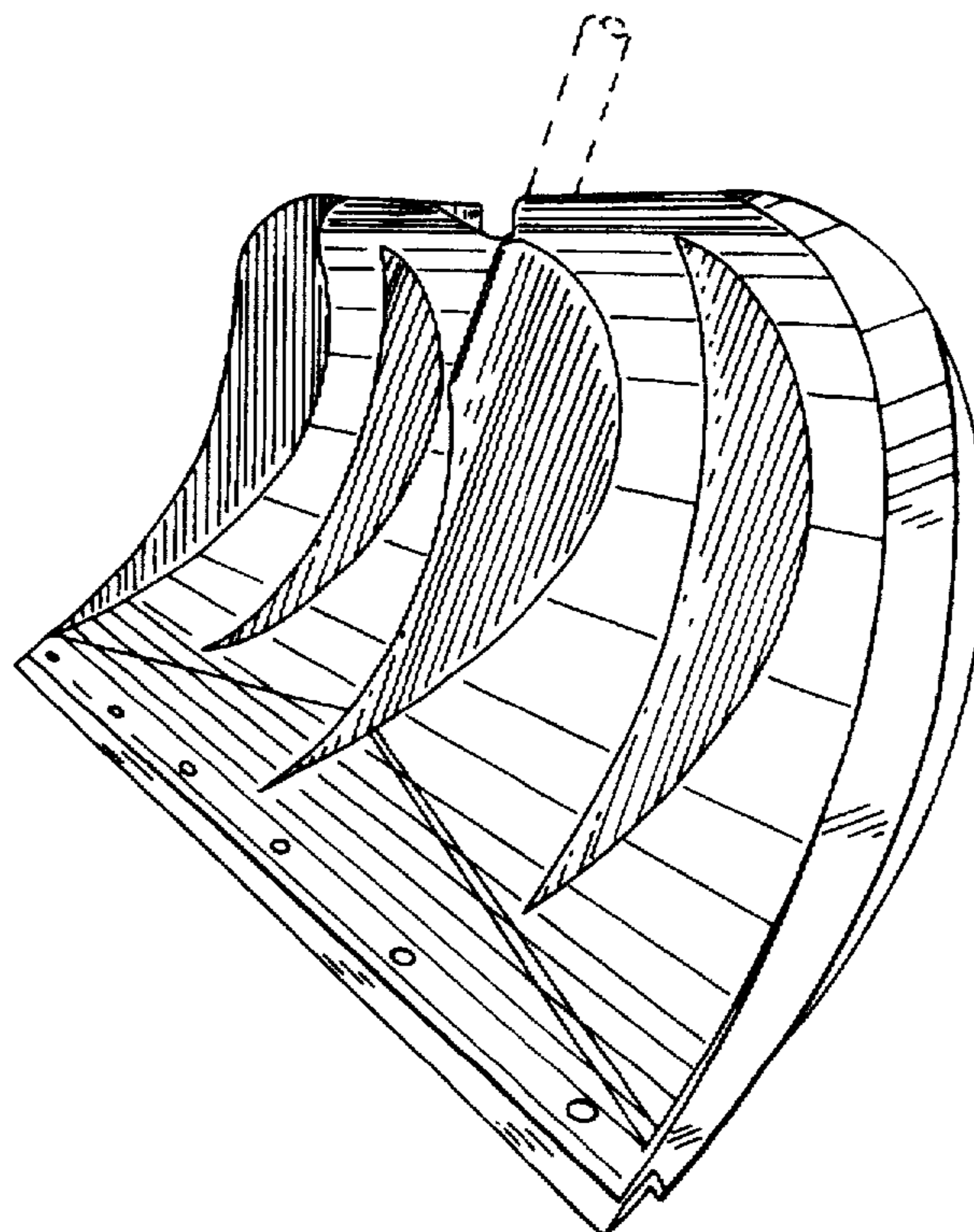
FIG. 4 is a perspective view of the snow shovel shown in FIGS. 1 through 3 and embodying my invention;

FIG. 5 is a top plan view relative to FIG. 3 of the snow shovel illustrated in FIGS. 1 through 4 and embodying my invention; and,

FIG. 6 is a bottom plan view relative to FIG. 3 of the snow shovel illustrated in FIGS. 1 through 5 and embodying my invention.

The broken line showing of a fragmented shovel handle is for illustrative purposes only and forms no part of the claimed design.

**1 Claim, 2 Drawing Sheets**



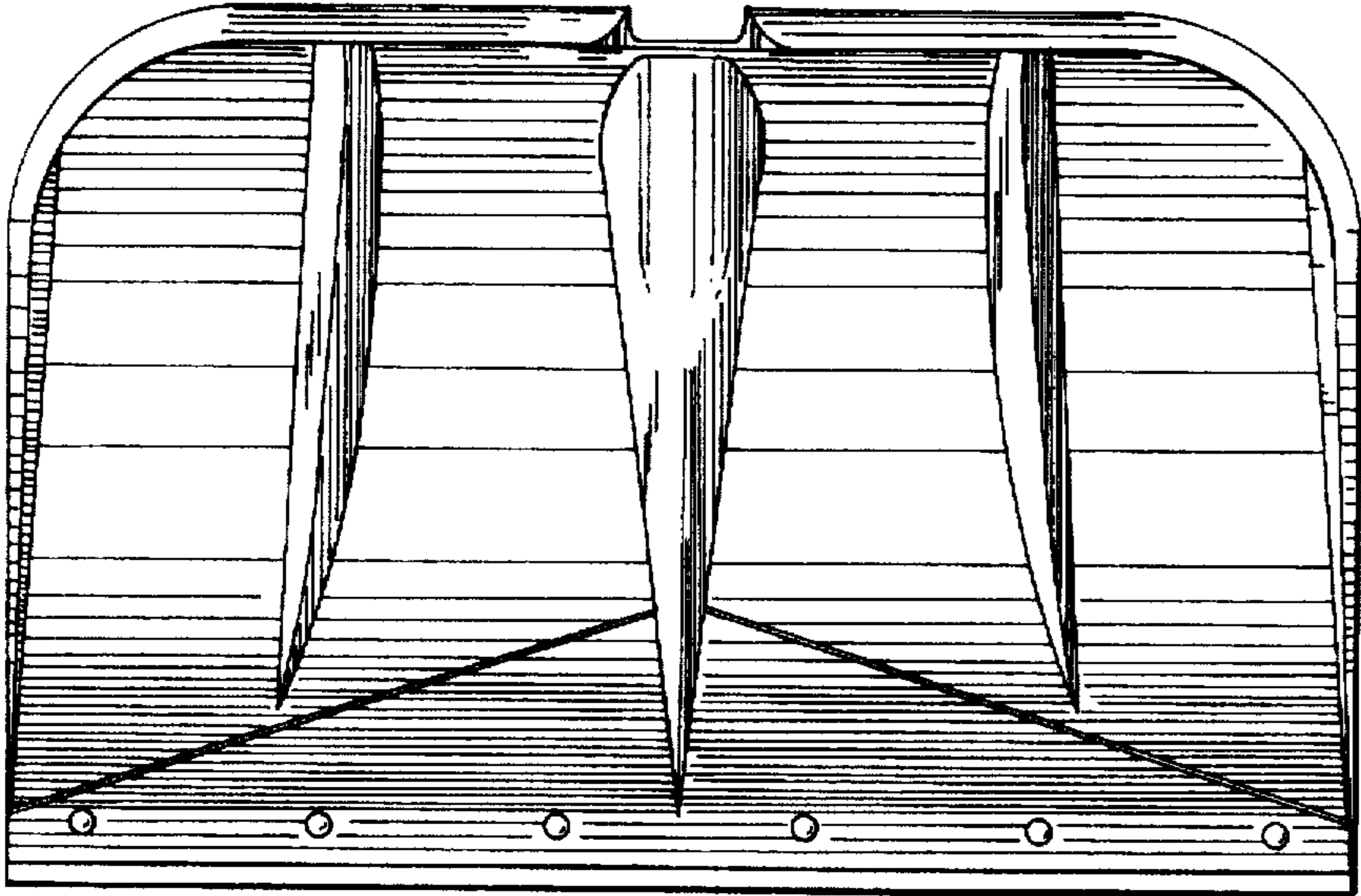


FIG. 1

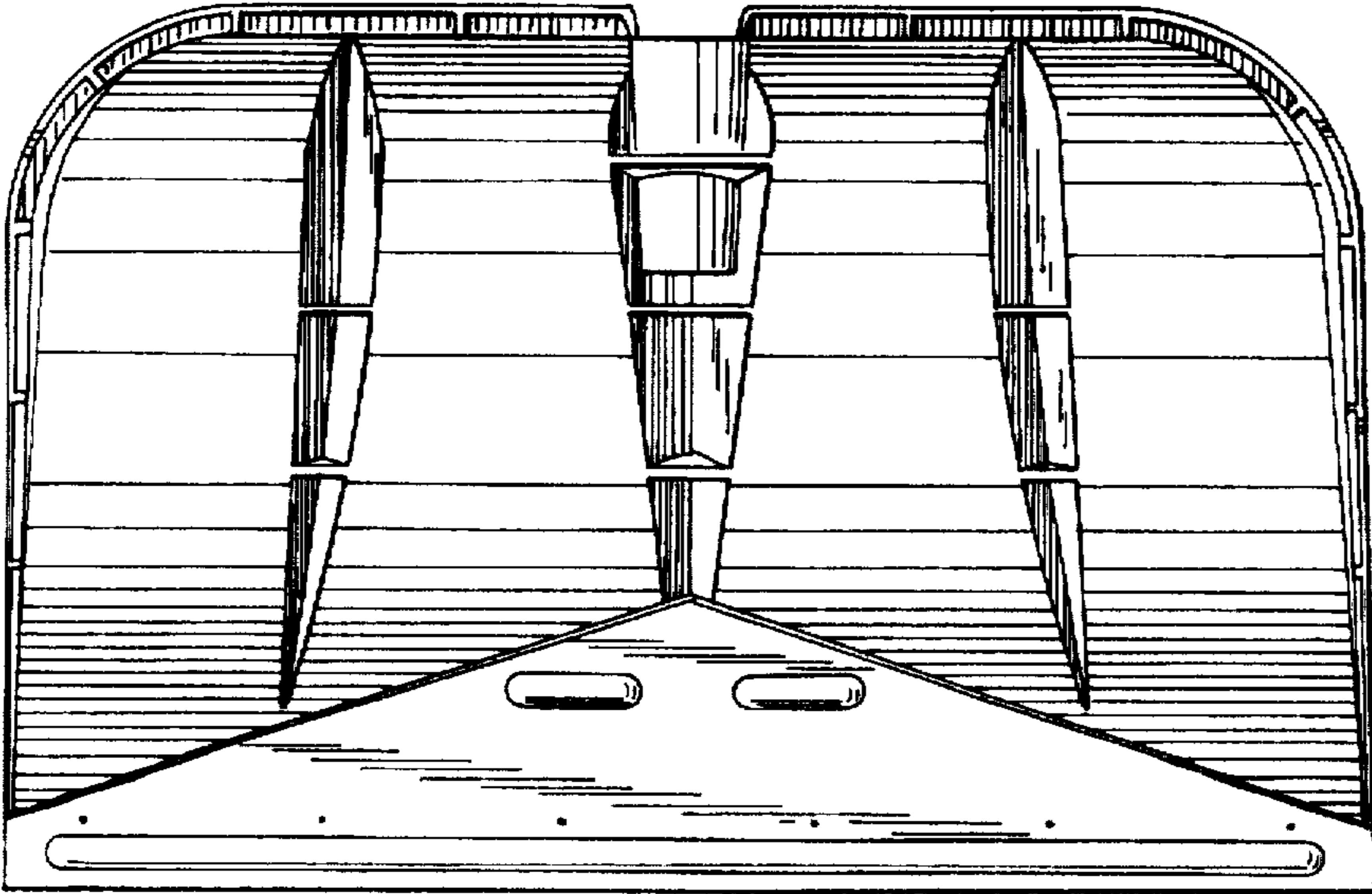


FIG. 2



FIG. 3

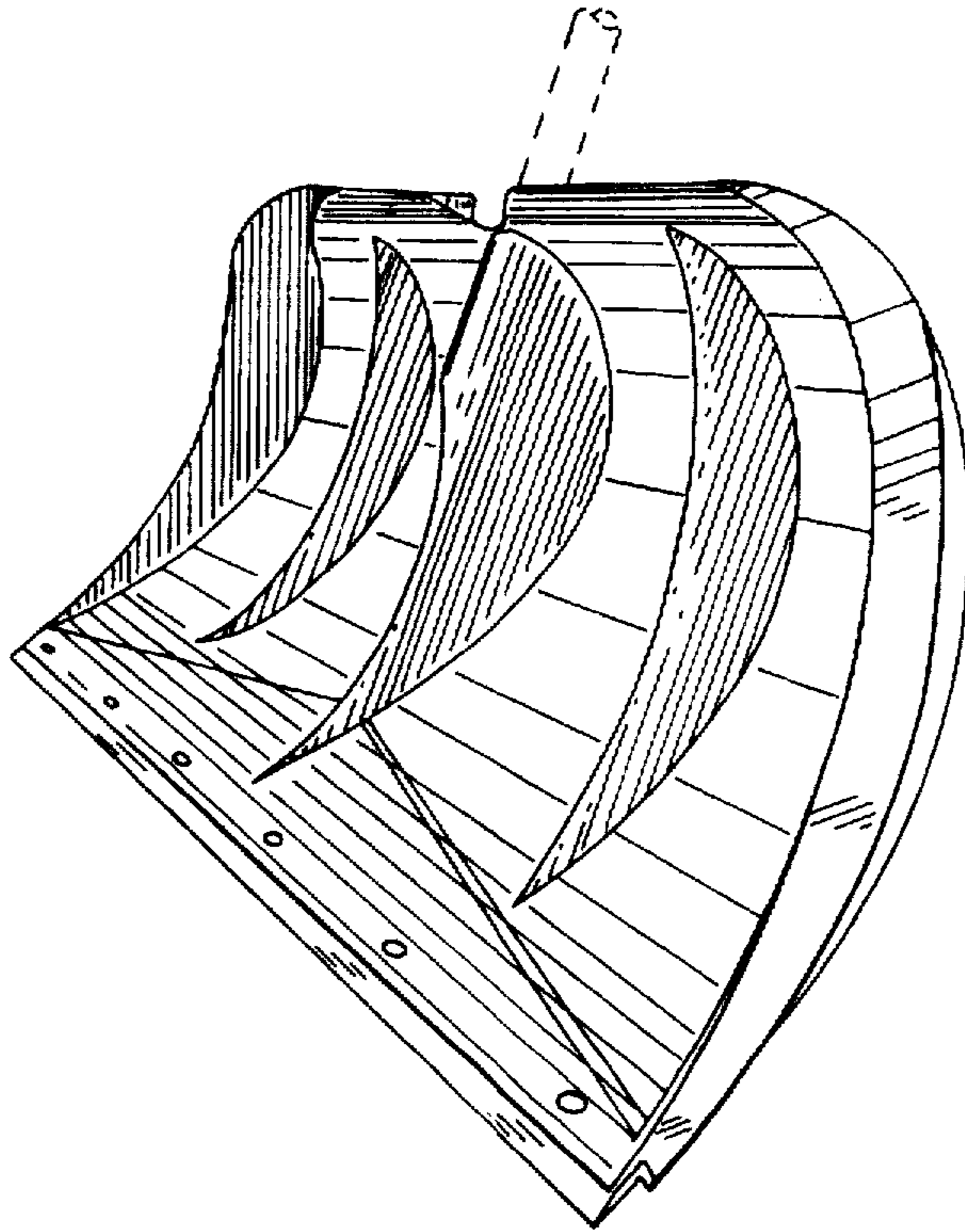


FIG. 4

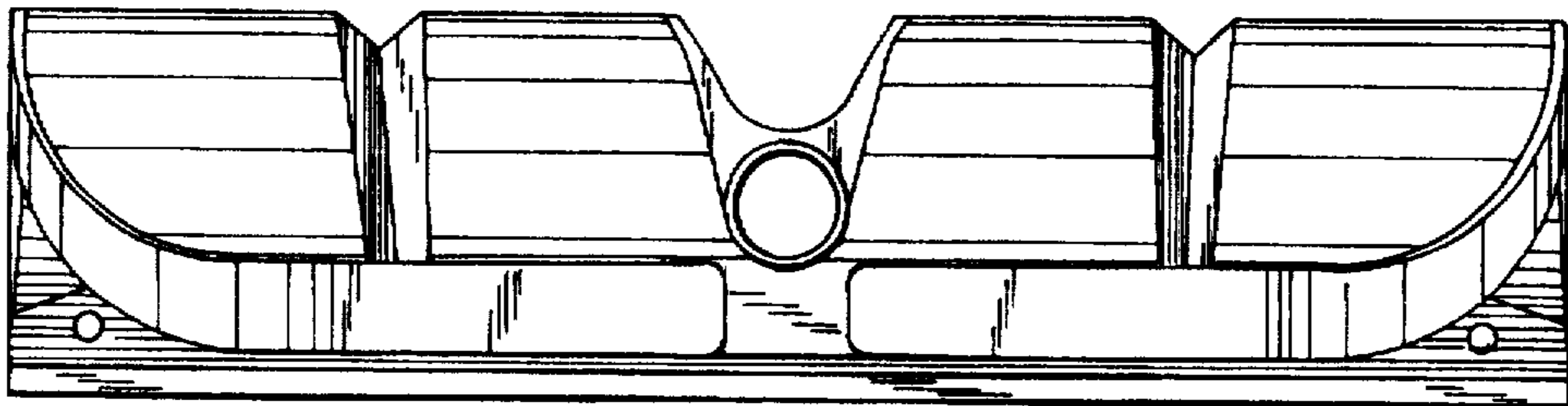


FIG. 5

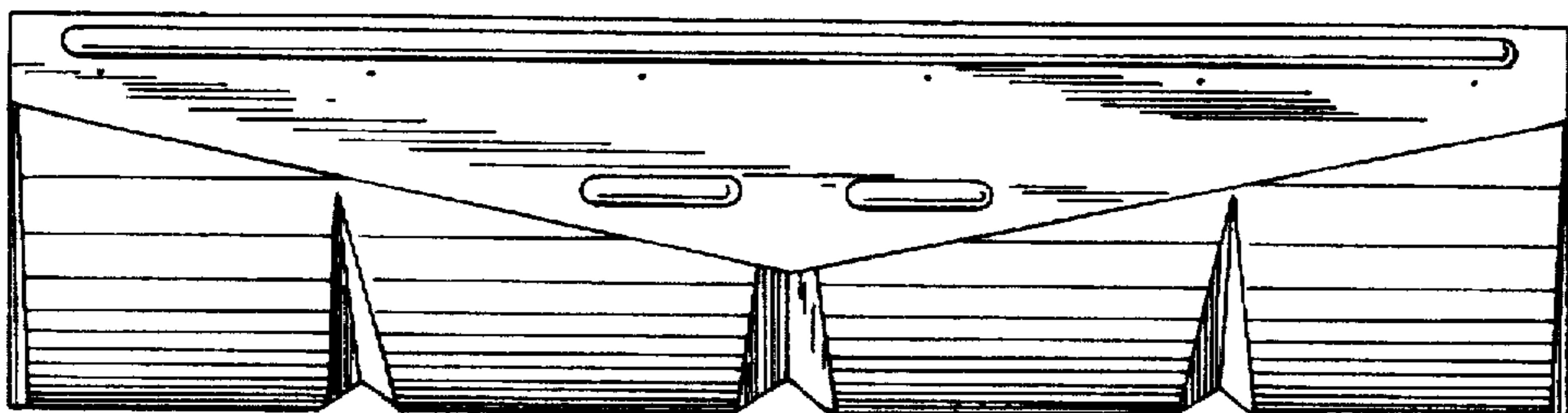


FIG. 6