



US00D395210S

# United States Patent [19]

Almsig

[11] Patent Number: **Des. 395,210**

[45] Date of Patent: **\*\*Jun. 16, 1998**

[54] **MULTIPLE BOTTLE HOLDER FOR STORAGE OF BOTTLES, ESPECIALLY WINE BOTTLES**

[76] Inventor: **Kim Almsig**, Virumgade 3A, DK-2830, Virum, Denmark

[\*\*] Term: **14 Years**

[21] Appl. No.: **52,213**

[22] Filed: **Mar. 26, 1996**

[51] LOC (6) Cl. .... **07-06**

[52] U.S. Cl. .... **D7/701; D23/266**

[58] Field of Search ..... **D7/701; D23/262, D23/266; 211/71.01, 72, 74**

[56] **References Cited**

**U.S. PATENT DOCUMENTS**

4,660,727 4/1987 Levine ..... **D7/701 X**

**OTHER PUBLICATIONS**

Design, p. 22, bottle rack, Jul. 1978.  
E.R. Wagner Manufacturing Co., p. 3, tube, top of page.

*Primary Examiner*—Terry A. Wallace

*Attorney, Agent, or Firm*—Stephen C. Glazier

[57] **CLAIM**

The ornamental design for a multiple bottle holder for storage of bottles, especially wine bottles, as shown and described.

**DESCRIPTION**

FIG. 1 is a left side perspective view of a multiple bottle holder for storage of bottles, especially wine bottles showing my new design;

FIG. 2 is a right side perspective view thereof;

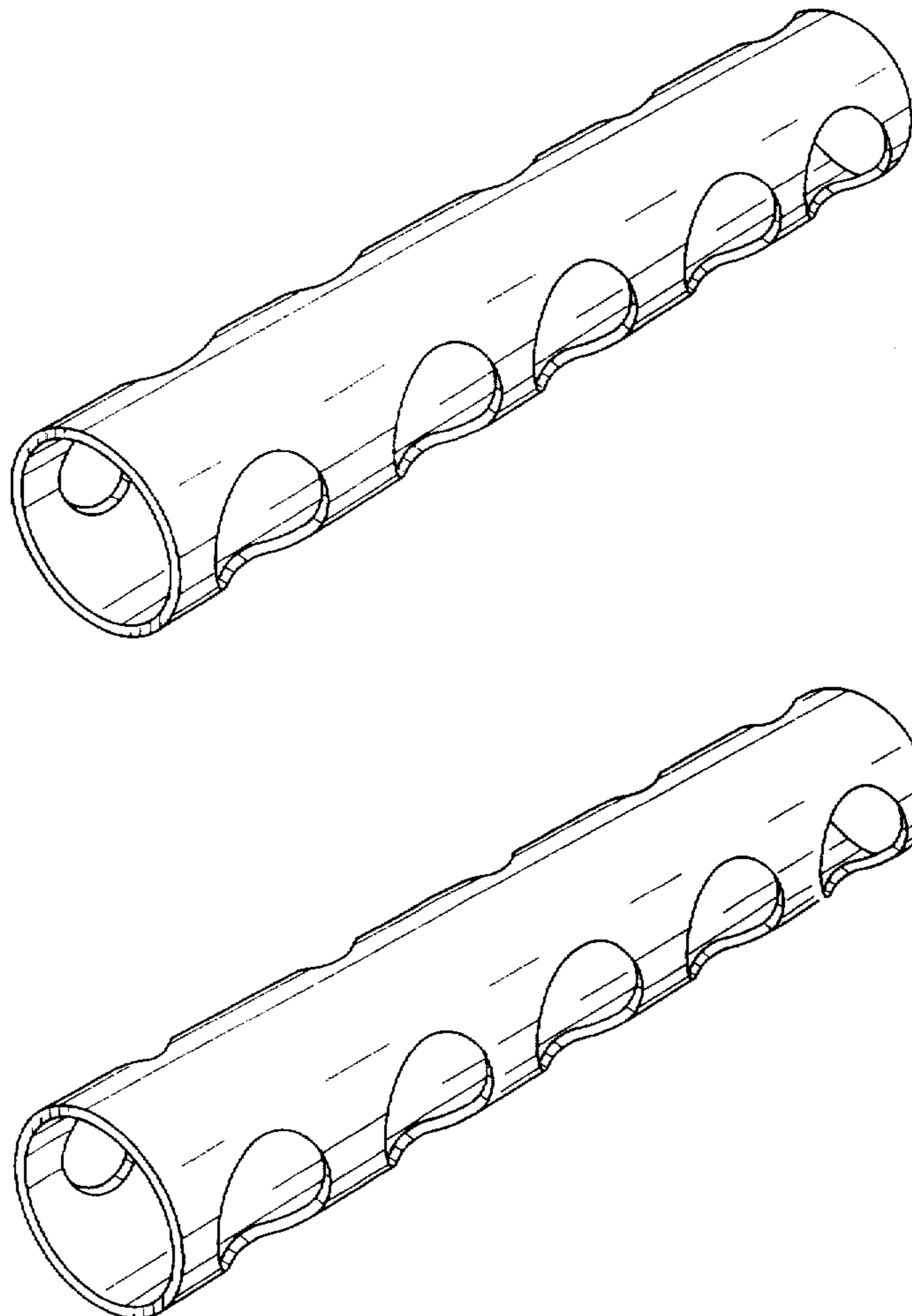
FIG. 3 is a front, top perspective view thereof, the opposite sides being a mirror image;

FIG. 4 left side perspective view of an alternate embodiment of FIG. 1;

FIG. 5 is a right side perspective view of FIG. 4; and .

FIG. 6 is a front, top perspective view of FIG. 4, the opposite sides being a mirror image.

**1 Claim, 2 Drawing Sheets**



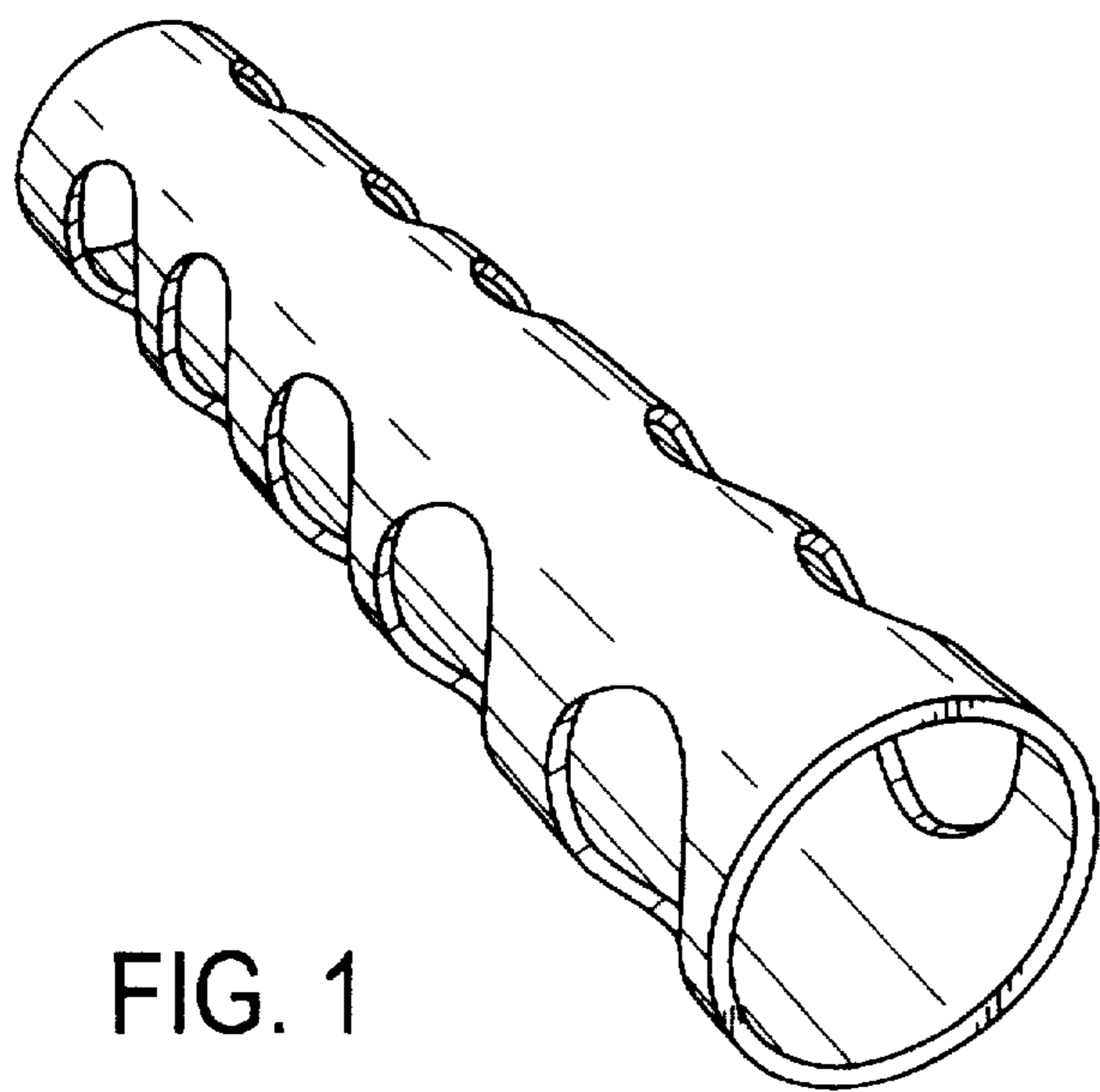


FIG. 1

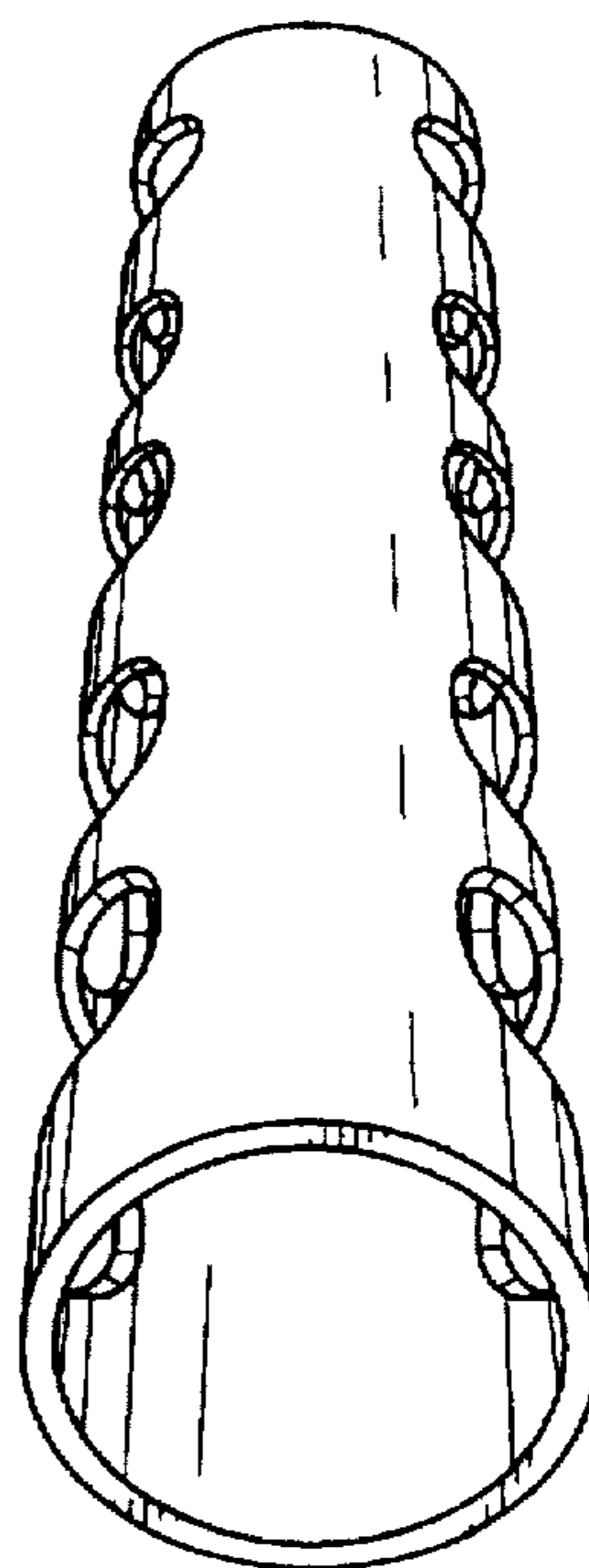


FIG. 3

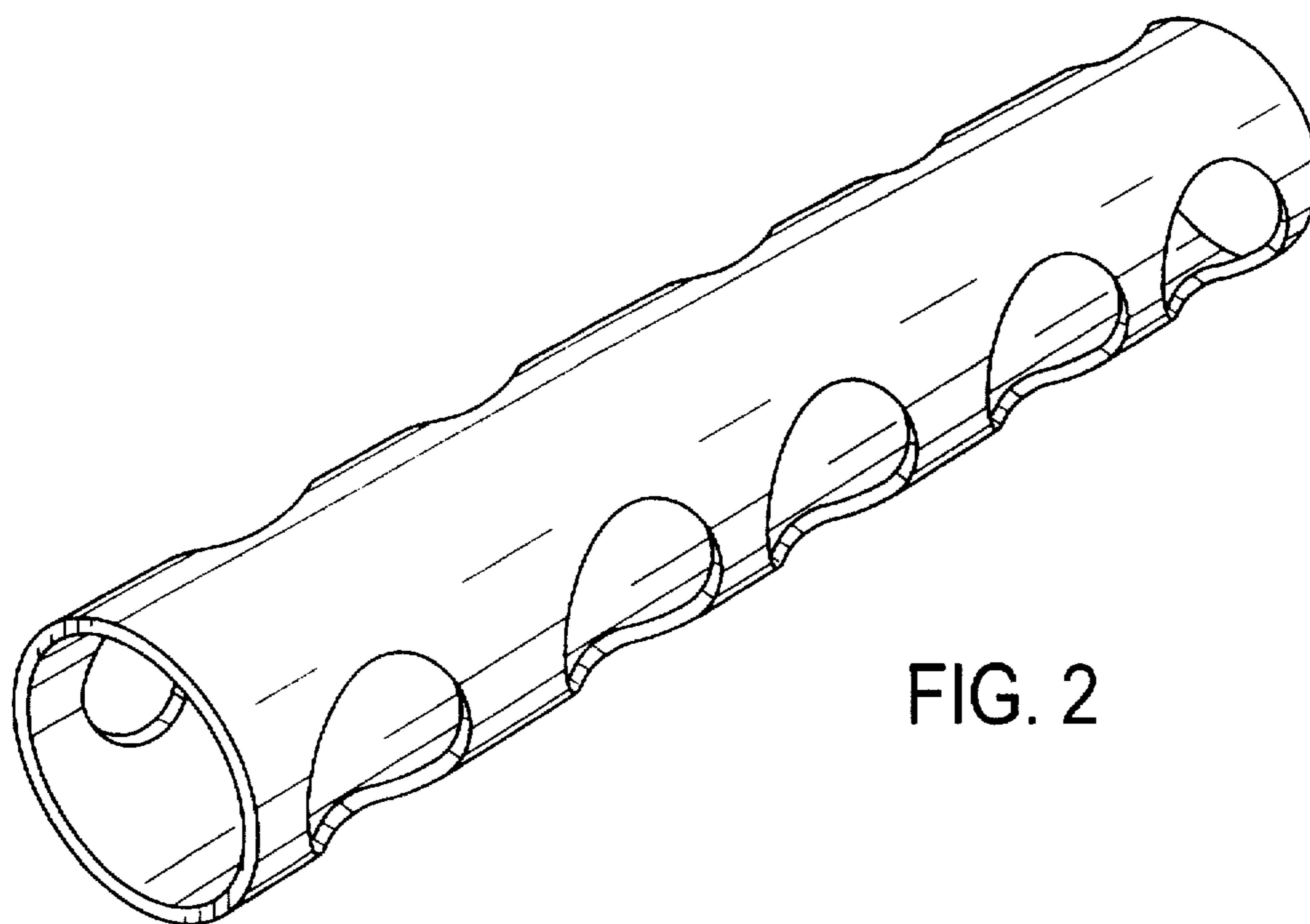


FIG. 2

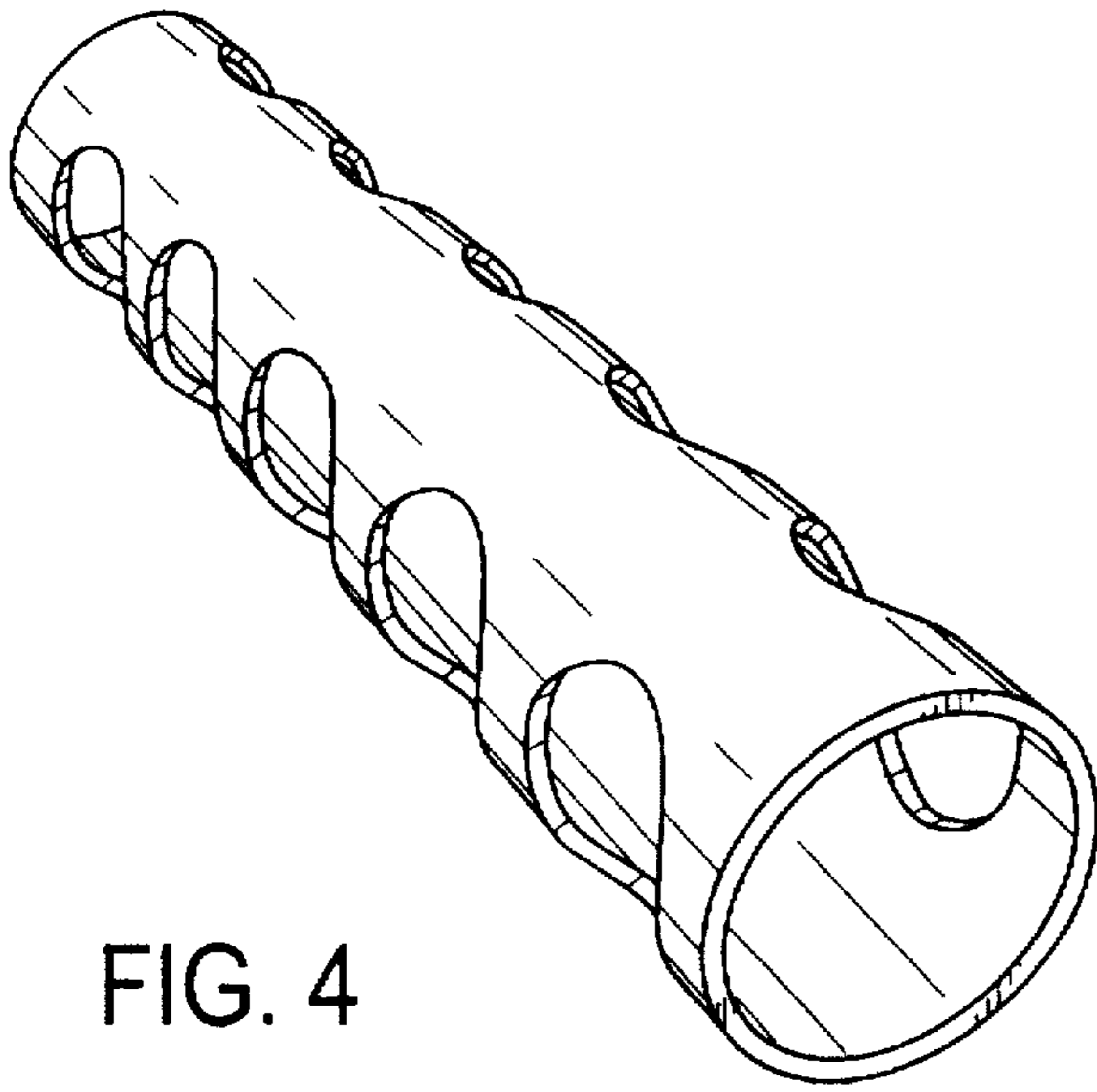


FIG. 4

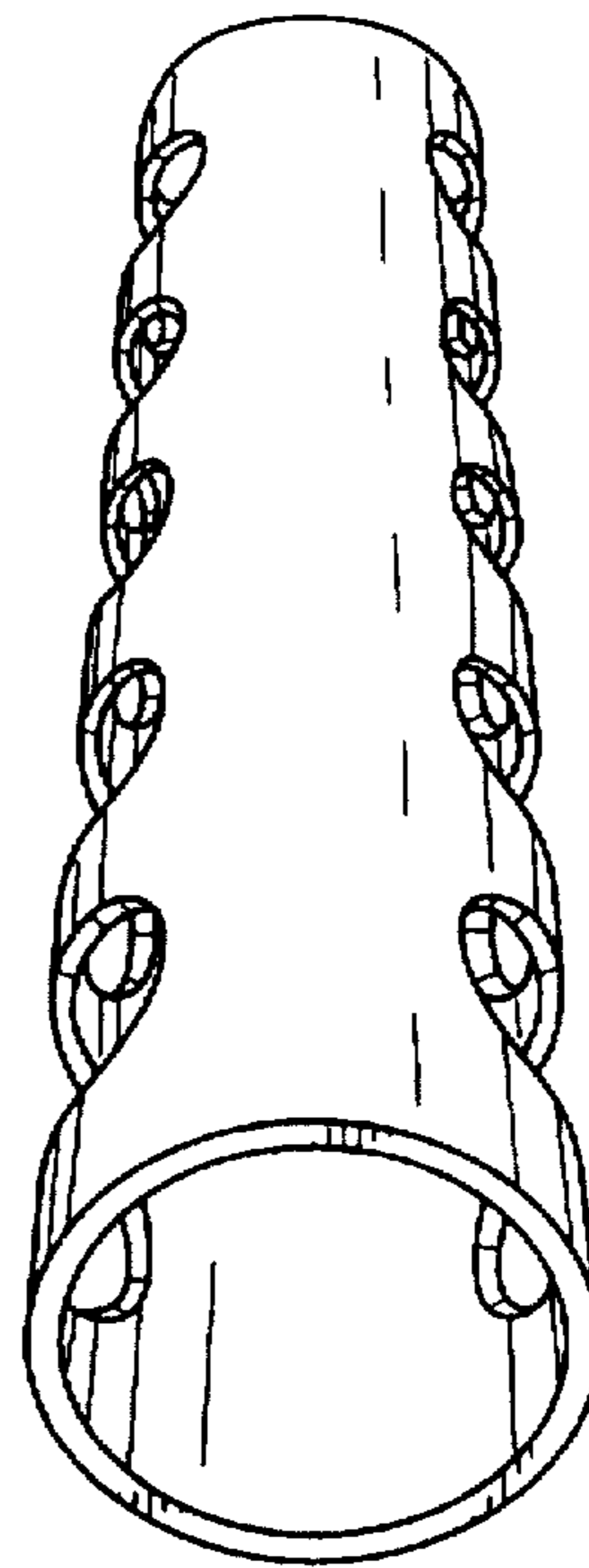


FIG. 6

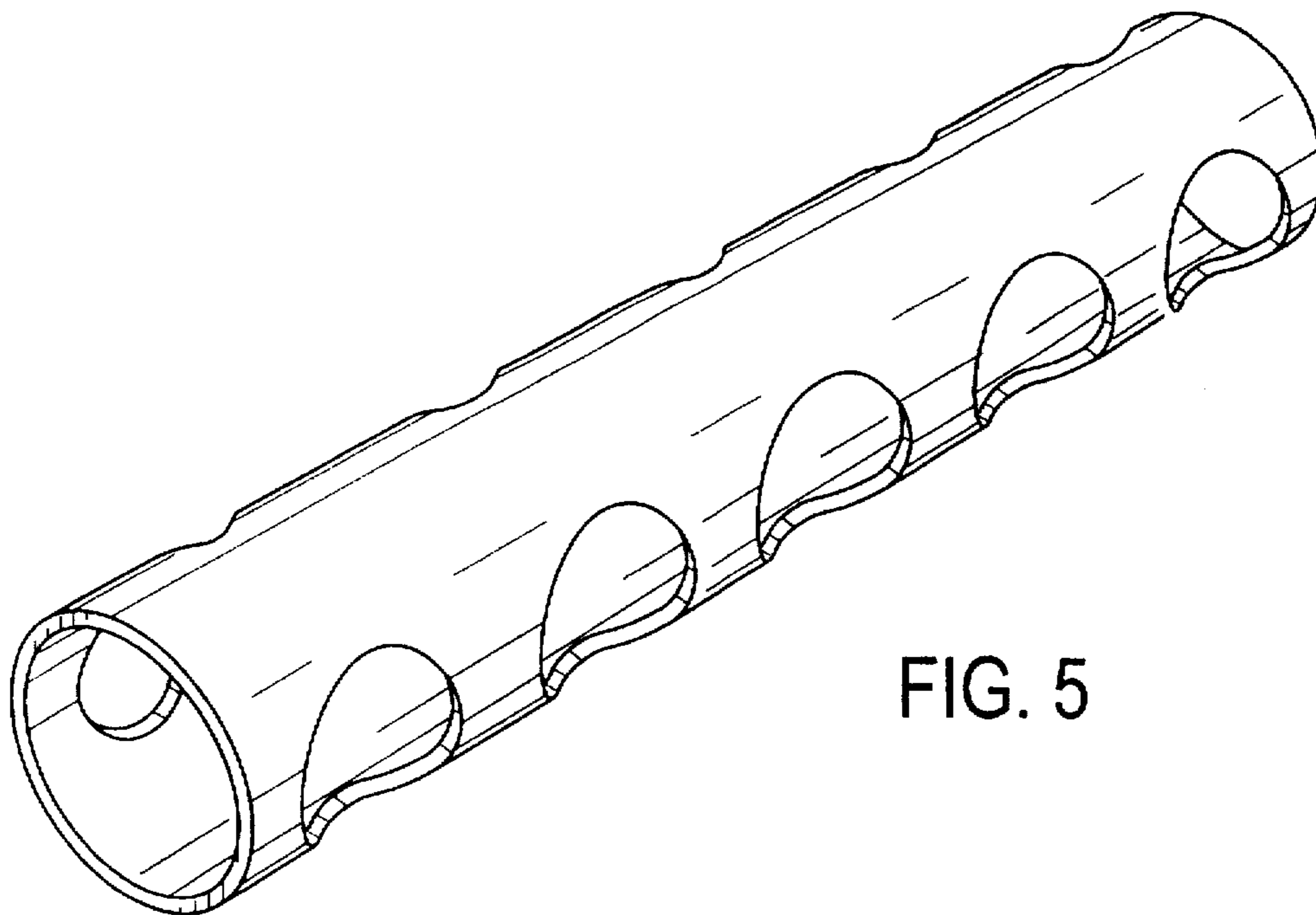


FIG. 5