



US00D395205S

United States Patent [19]

Inwood et al.

[11] Patent Number: **Des. 395,205**

[45] Date of Patent: ****Jun. 16, 1998**

[54] **CUP HOLDER**

4,685,583 8/1987 Noon 220/710.5

[75] Inventors: **Robin R. C. Inwood**, St. Thomas;
John L. Norman; **Frank Da Costa**,
both of London, all of Canada

Primary Examiner—Terry A. Wallace
Attorney, Agent, or Firm—Sim & McBurney

[73] Assignee: **X-PMC Corporation**, St. Thomas,
Canada

[57] CLAIM

[**] Term: **14 Years**

The ornamental design for a cup holder, as shown and described.

[21] Appl. No.: **40,102**

DESCRIPTION

[22] Filed: **Jun. 9, 1995**

[30] Foreign Application Priority Data

Dec. 9, 1994 [CA] Canada 1994-2445

[51] LOC (6) Cl. **07-06**

[52] U.S. Cl. **D7/622**

[58] Field of Search D7/619, 622; 215/395,
215/396; 220/737, 738, 710.5

FIG. 1 is a perspective view of a cup holder showing our new design. the cup shown in broken lines is for illustrative purposes only and forms no part of the claimed design;

FIG. 2 is a plan view from above of the cup holder;

FIG. 3 is a side elevational view of a cup holder;

FIG. 4 is a front elevational view of the cup holder;

FIG. 5 is a rear elevational view of the cup holder; and,

FIG. 6 is a plan view from below of the cup holder.

[56] References Cited

U.S. PATENT DOCUMENTS

4,552,276 11/1985 Büch 215/396

1 Claim, 2 Drawing Sheets

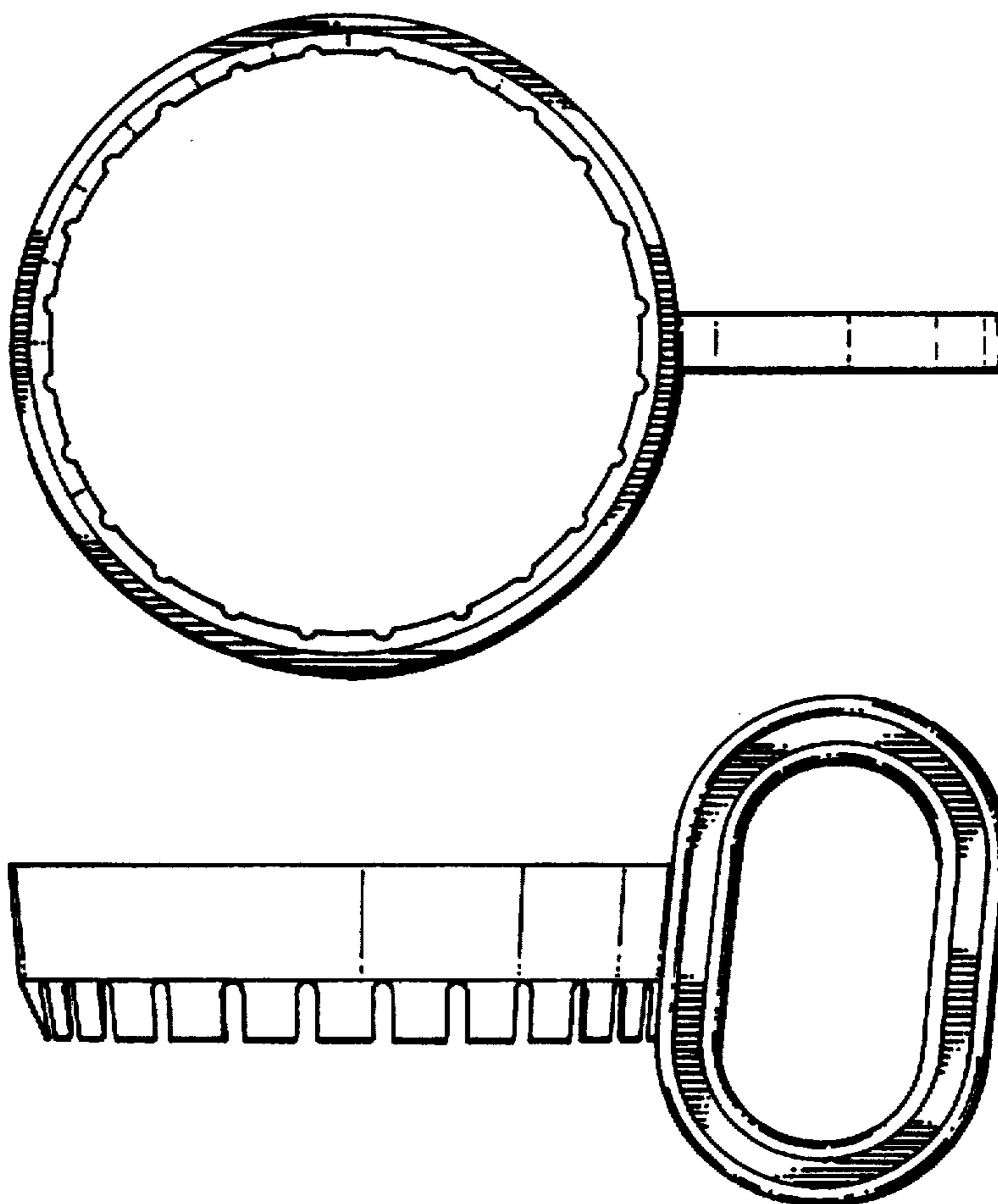


FIG. 1.

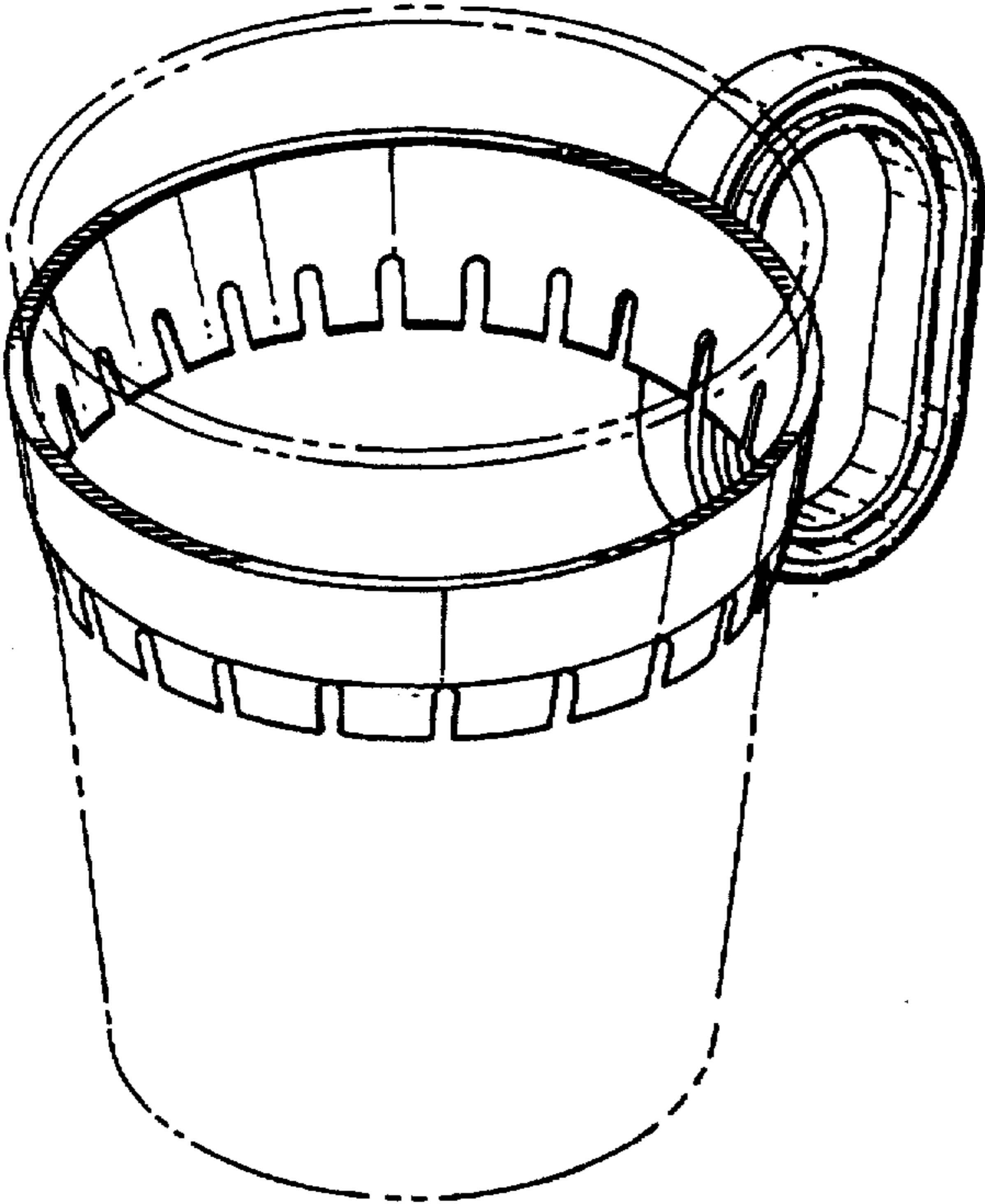


FIG. 2.

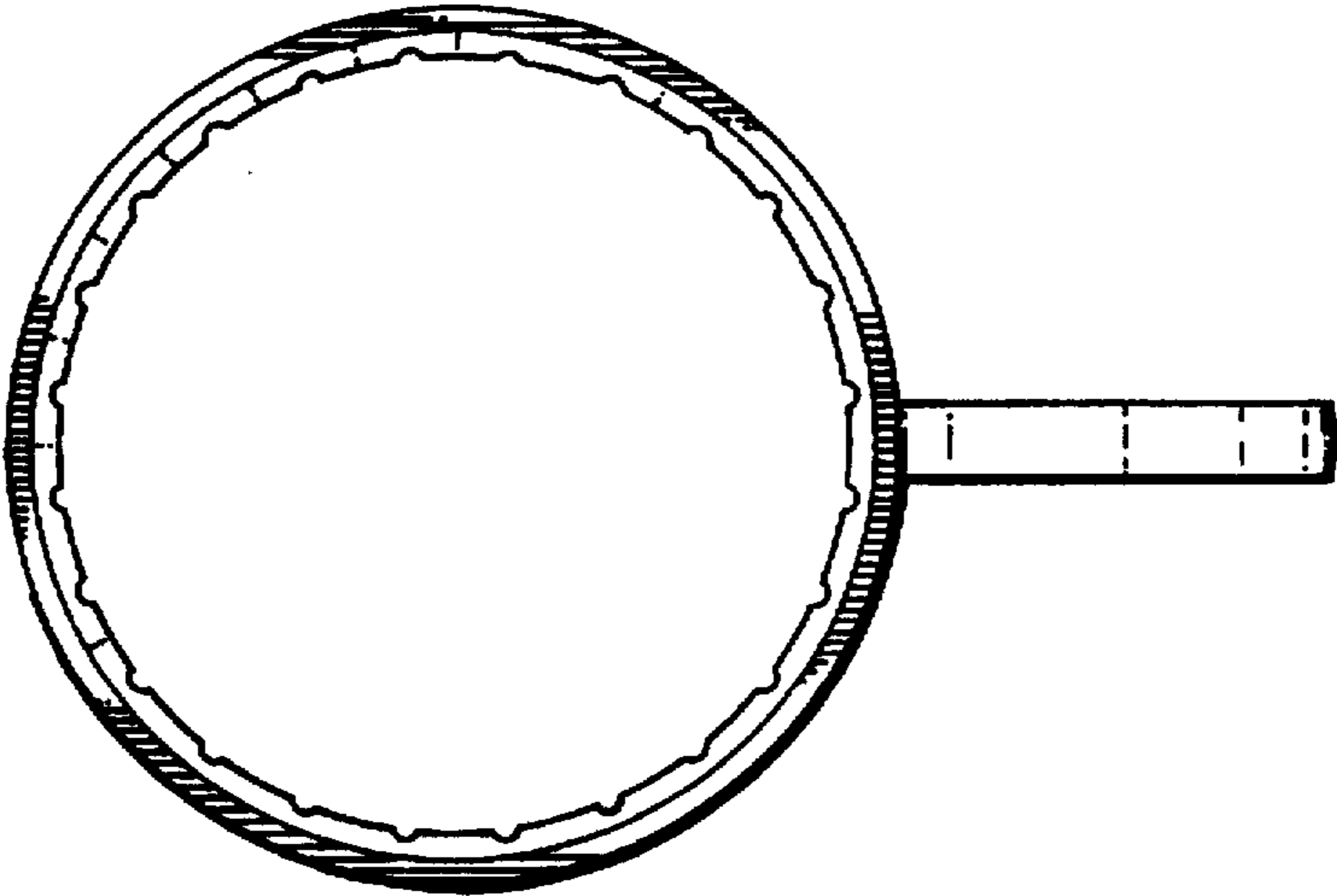


FIG. 3.

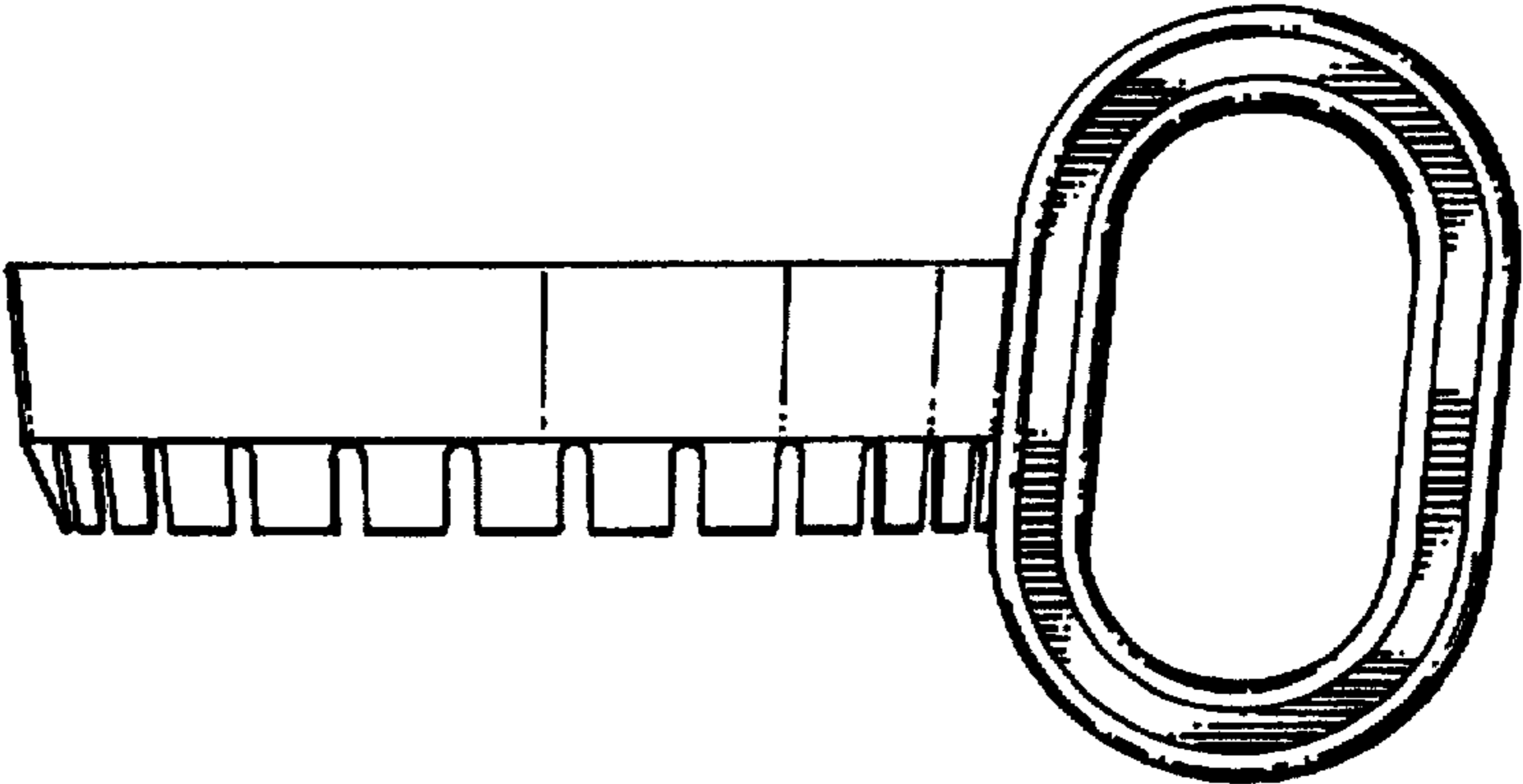


FIG. 4.

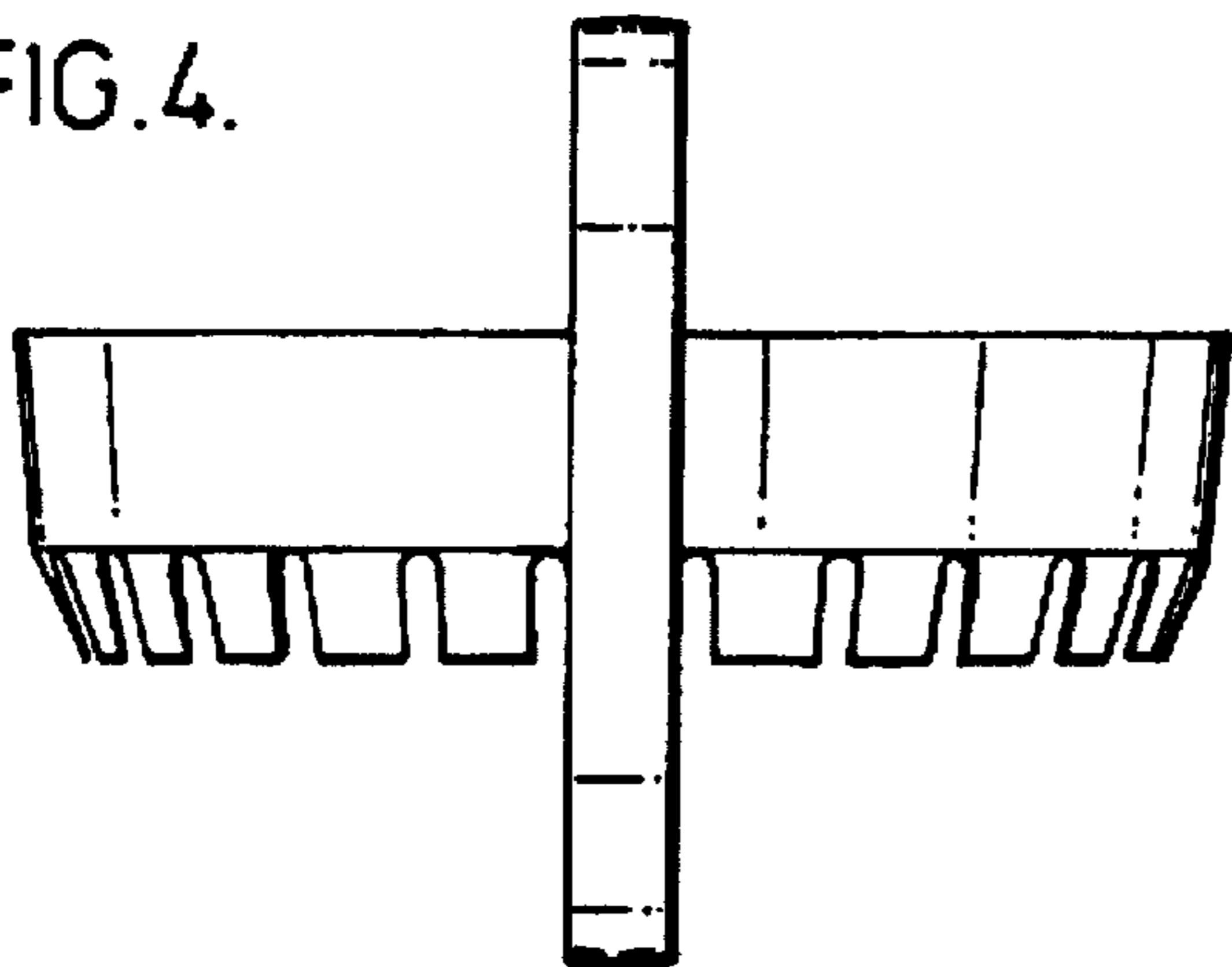


FIG. 5.

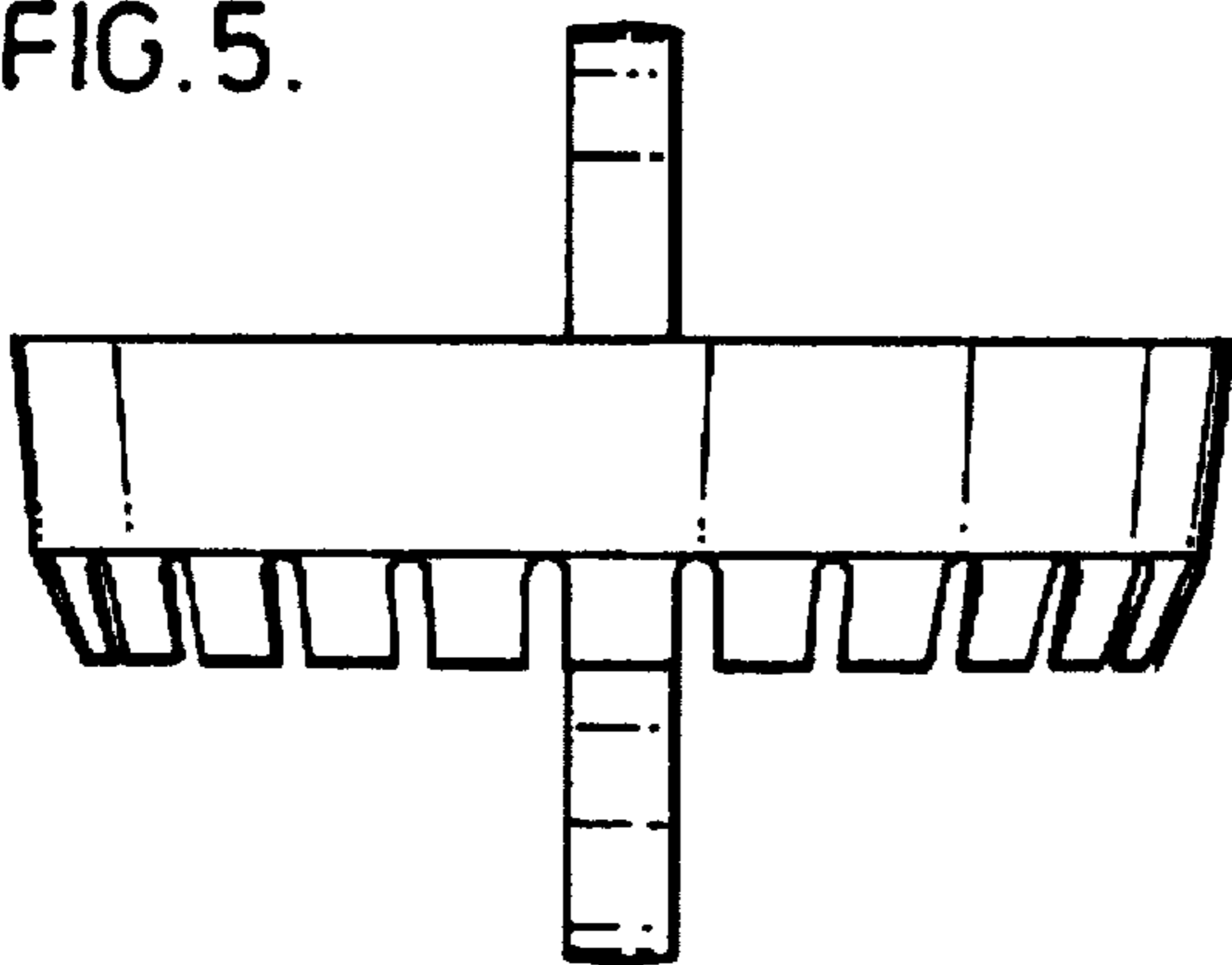


FIG. 6.

