



US00D395202S

United States Patent [19]

Ochs, Sr.

[11] Patent Number: Des. 395,202

[45] Date of Patent: **Jun. 16, 1998

[54] BEVERAGE COOLER

[75] Inventor: Steven J. Ochs, Sr., Roswell, Ga.

[73] Assignee: Kooler Kraft International Corp.,
Roswell, Ga.

[**] Term: 14 Years

[21] Appl. No.: 57,377

[22] Filed: Jul. 22, 1996

[51] LOC (6) Cl. 07-01

[52] U.S. Cl. D7/606

[58] Field of Search D7/606, 300, 605,
D7/601, 602; D34/39; 220/672, 675, 4.05,
4.04

[56] References Cited

U.S. PATENT DOCUMENTS

- D. 177,570 5/1956 James .
- D. 210,354 3/1968 Cornelius D34/39
- D. 239,505 4/1976 Ward D34/39
- D. 246,090 10/1977 Gault .
- D. 246,229 11/1977 Saunders .
- D. 249,444 9/1978 Forsberg .
- D. 260,569 9/1981 Zilbert D34/39
- D. 262,517 1/1982 Hayes .
- D. 263,024 2/1982 Atkinson et al. .
- D. 271,342 11/1983 Templeton D34/39
- D. 276,499 11/1984 Kamada et al. D34/39 X
- D. 277,041 1/1985 Nichols D34/39
- D. 282,442 2/1986 Kohnle .
- D. 309,847 8/1990 Scheurer .
- D. 315,659 3/1991 DeLeon et al. .
- D. 323,267 1/1992 Bidwell .
- D. 324,281 2/1992 Brüßing .
- D. 331,479 12/1992 Su .
- D. 331,825 12/1992 Osgar et al. D34/39
- D. 336,714 6/1993 Brossia et al. D34/39
- D. 338,137 8/1993 Ochs .
- D. 347,362 5/1994 Redmon .
- D. 347,973 6/1994 McBride .
- D. 349,218 8/1994 Evans .
- D. 358,966 6/1995 Ochs .
- D. 359,606 6/1995 Holland .
- D. 360,340 7/1995 Hitch et al. .
- D. 374,959 10/1996 Mull D34/39

- 3,143,238 8/1964 Bulgrin 220/4.04
- 3,160,312 12/1964 Johnston D34/39 X
- 4,242,884 1/1981 Kotschwar .
- 4,412,627 11/1983 Houghton et al. .
- 4,883,187 11/1989 Knitzer .
- 5,048,171 9/1991 Bidwell et al. .
- 5,203,181 4/1993 Brossia et al. .
- 5,251,460 10/1993 DeMarco et al. .
- 5,469,985 11/1995 Furuichi et al. D34/39 X

OTHER PUBLICATIONS

Copy of p. 40 from Winter 1996 issue of Damark International, Inc. Catalog.

Primary Examiner—M. N. Pandozzi

Attorney, Agent, or Firm—John S. Pratt; Kilpatrick Stockton LLP

[57] CLAIM

The ornamental design for a beverage cooler, as shown and described.

DESCRIPTION

FIG. 1 is a perspective view showing the front, upper and right side of the present invention;

FIG. 2 is a top plan view of the invention shown in FIG. 1;

FIG. 3 is a bottom plan view of the invention shown in FIG. 1;

FIG. 4 is a front elevational view, of which the back side is a mirror image, of the invention shown in FIG. 1;

FIG. 5 is a right side elevational view, of which the back side is a mirror image, of the invention shown in FIG. 1;

FIG. 6 is a sectional view taken along line 6—6 of FIG. 2;

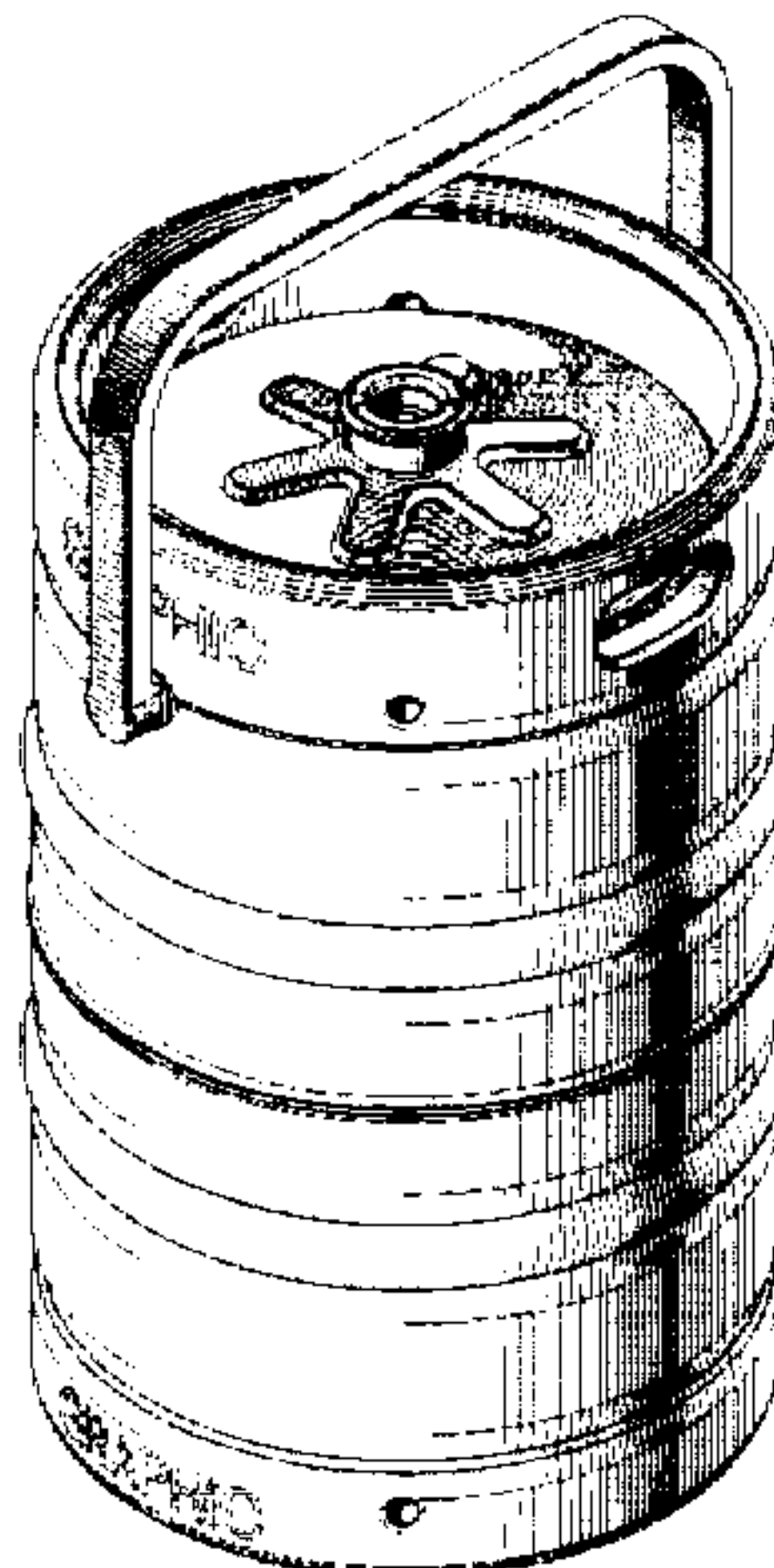
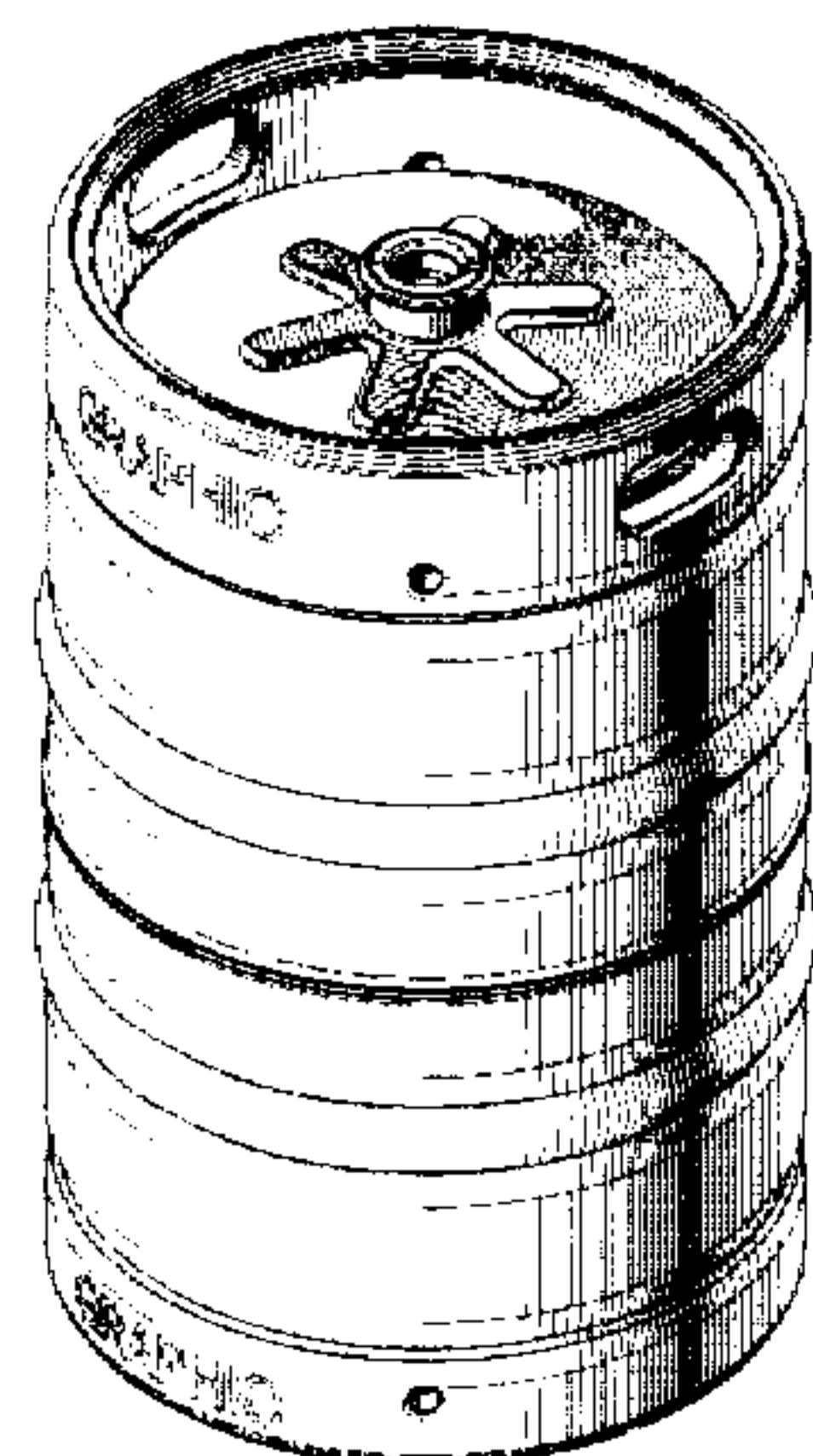
FIG. 7 is a sectional view taken along line 7—7 of FIG. 2;

FIG. 8 is a perspective view of the present invention showing the upper and right side with the lid exploded away from the container;

FIG. 9 is a front elevational view, of which the back side is a mirror image, of the invention shown in FIG. 8;

FIG. 10 is a sectional view taken along line 10—10 of FIG. 9;

FIG. 11 is a perspective view showing a front upper and right side of a second embodiment of the beverage cooler;



Des. 395,202

Page 2

FIG. 12 is a front elevational view, of which the back side is a mirror image, of the invention shown in FIG. 11;

FIG. 13 is a right side elevational view, of which the left side is a mirror image, of the invention shown in FIG. 11;

FIG. 14 is a top plan view of the invention shown in FIG. 11;

FIG. 15 is a bottom plan view of the invention shown in FIG. 11; and,

FIG. 16 is a sectional view taken along cut line 16—16 of the invention shown in FIG. 14.

1 Claim, 8 Drawing Sheets

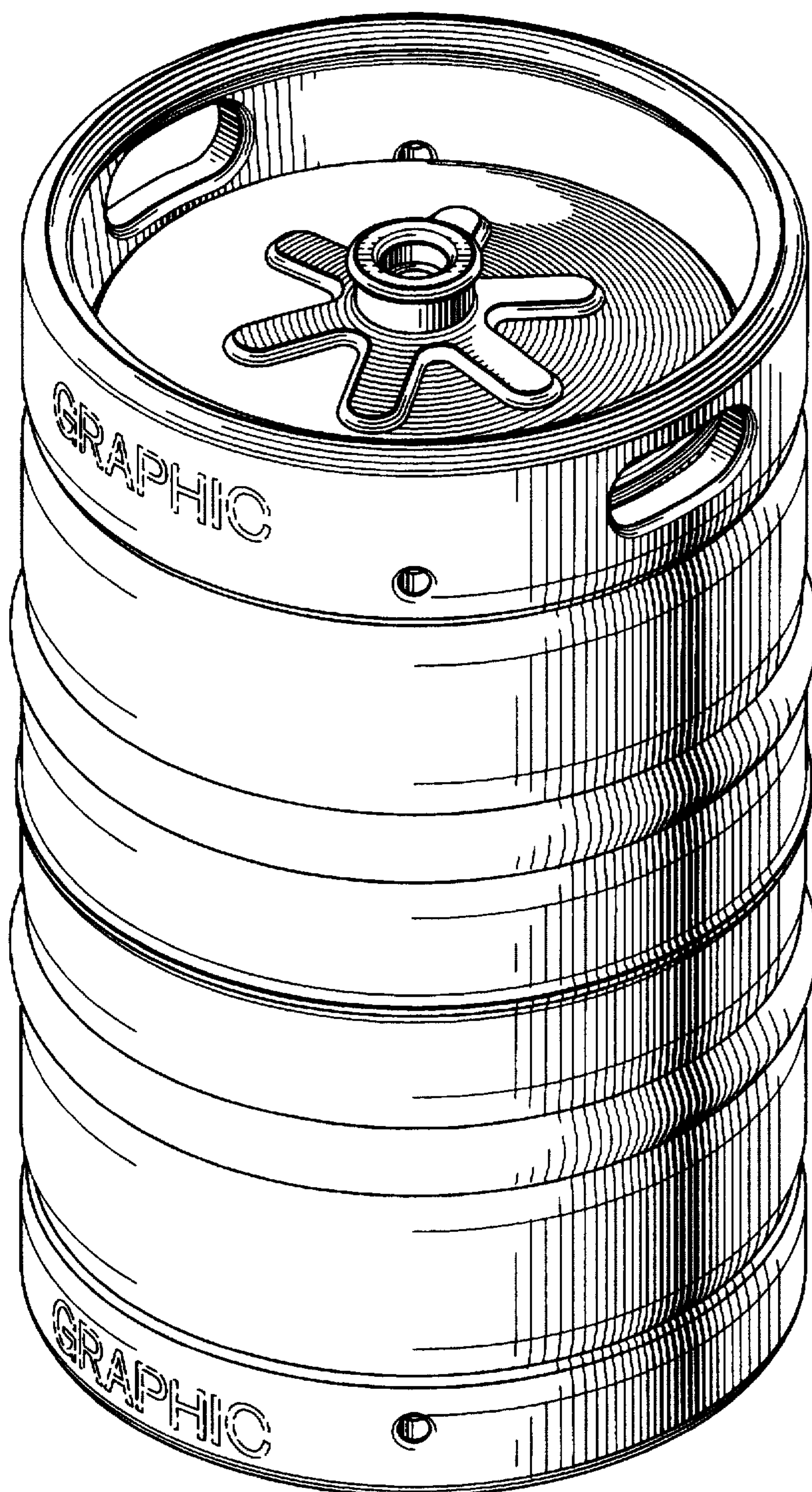


FIG 1

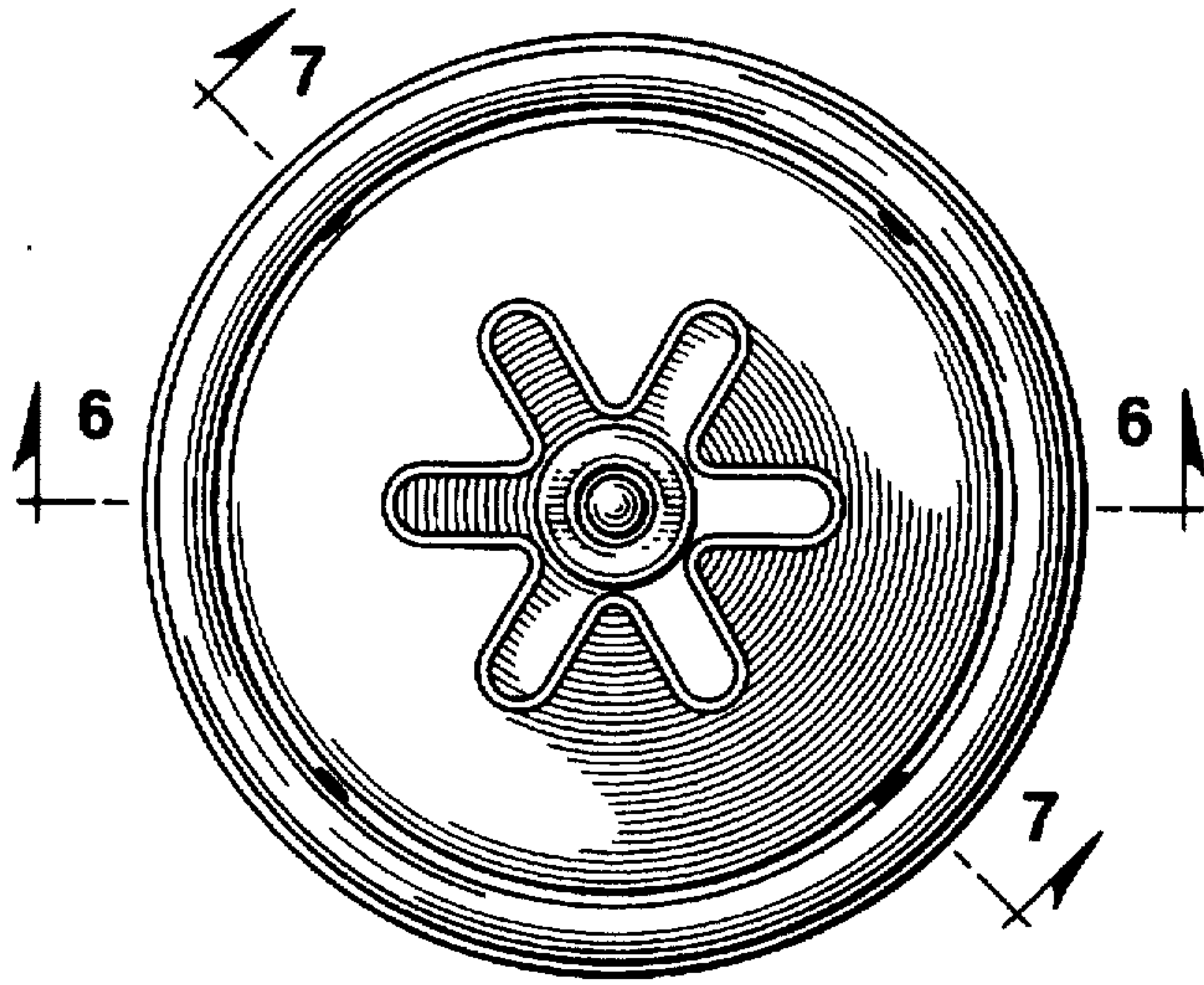


FIG 2

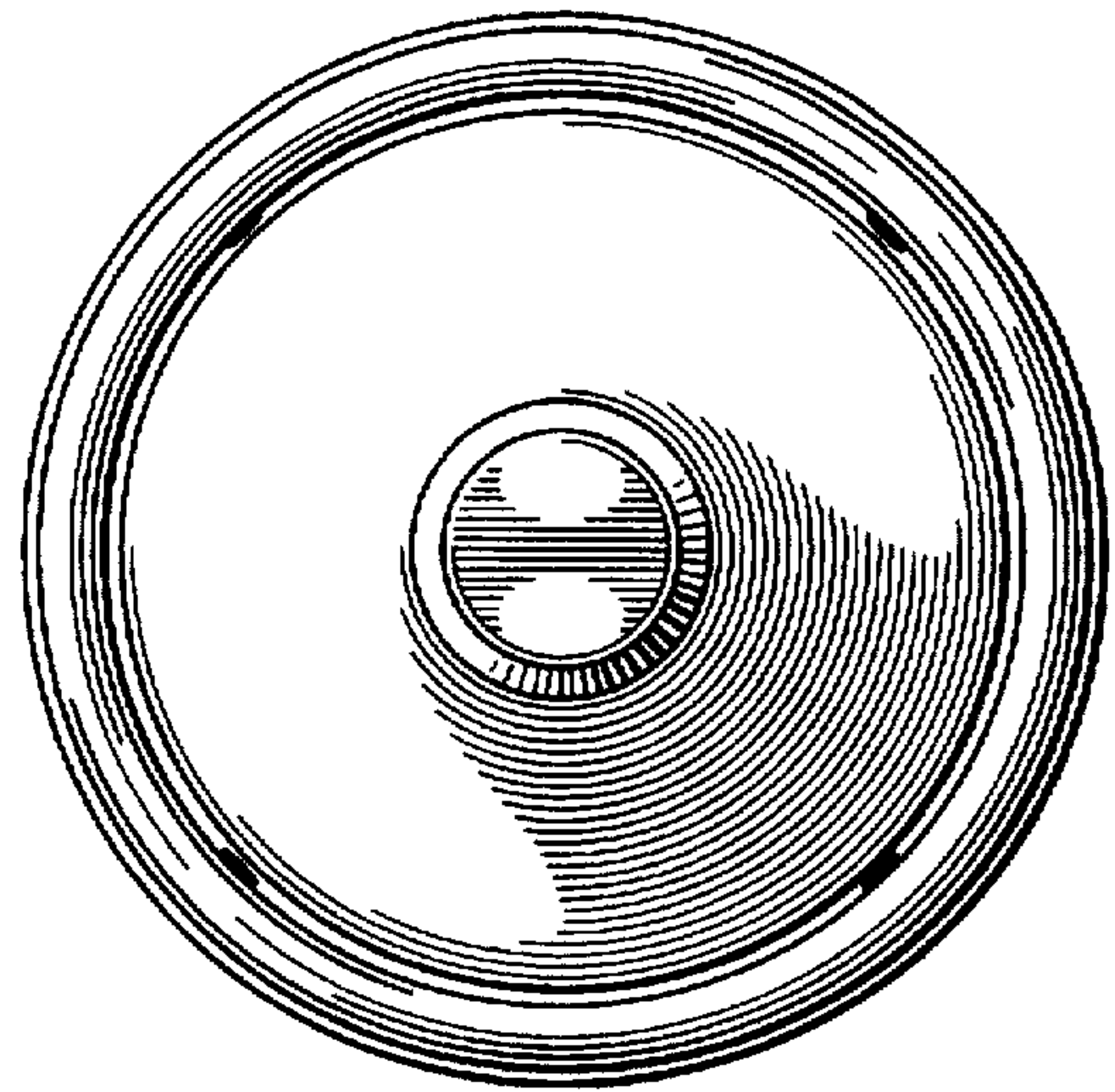


FIG 3

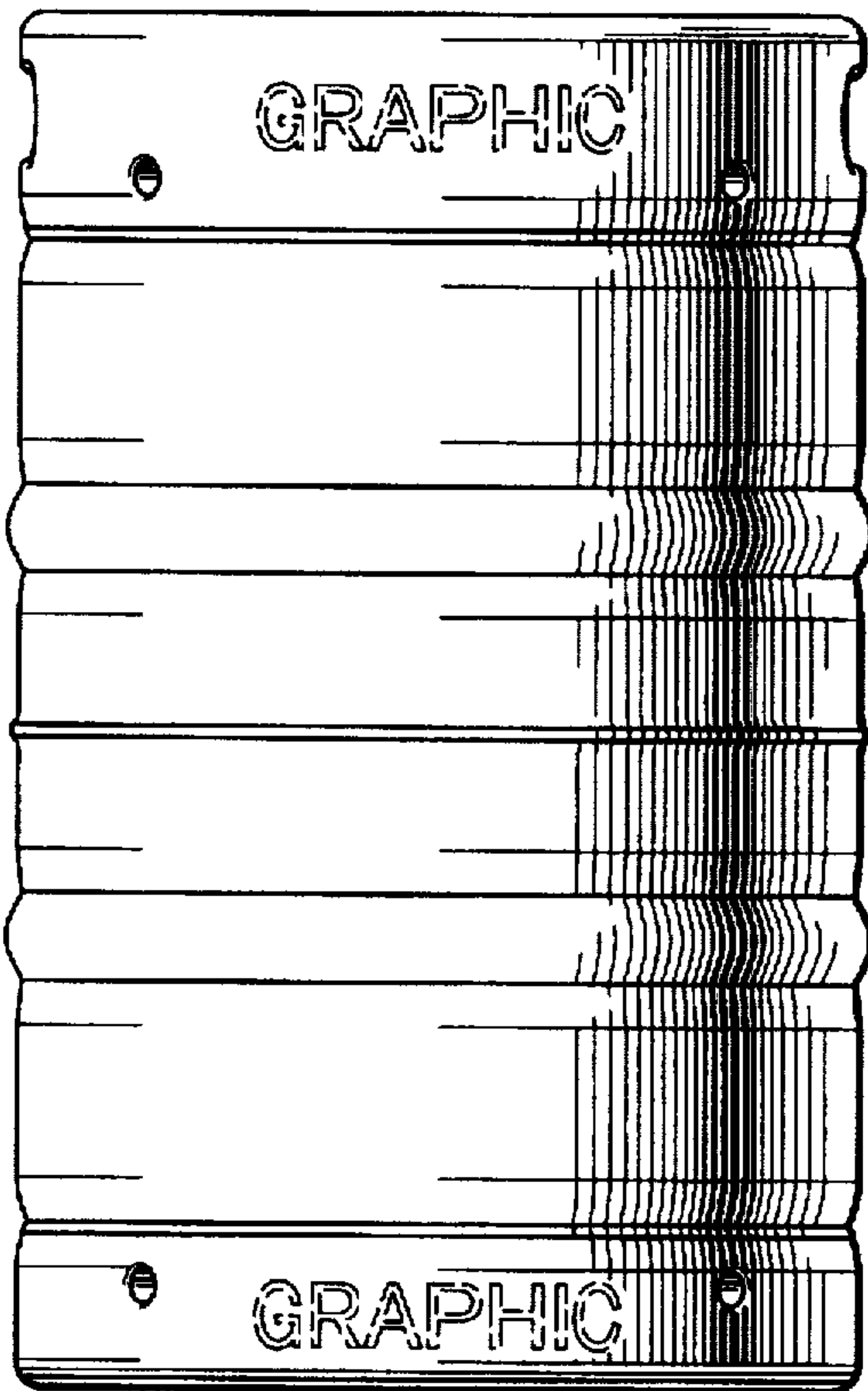


FIG 4

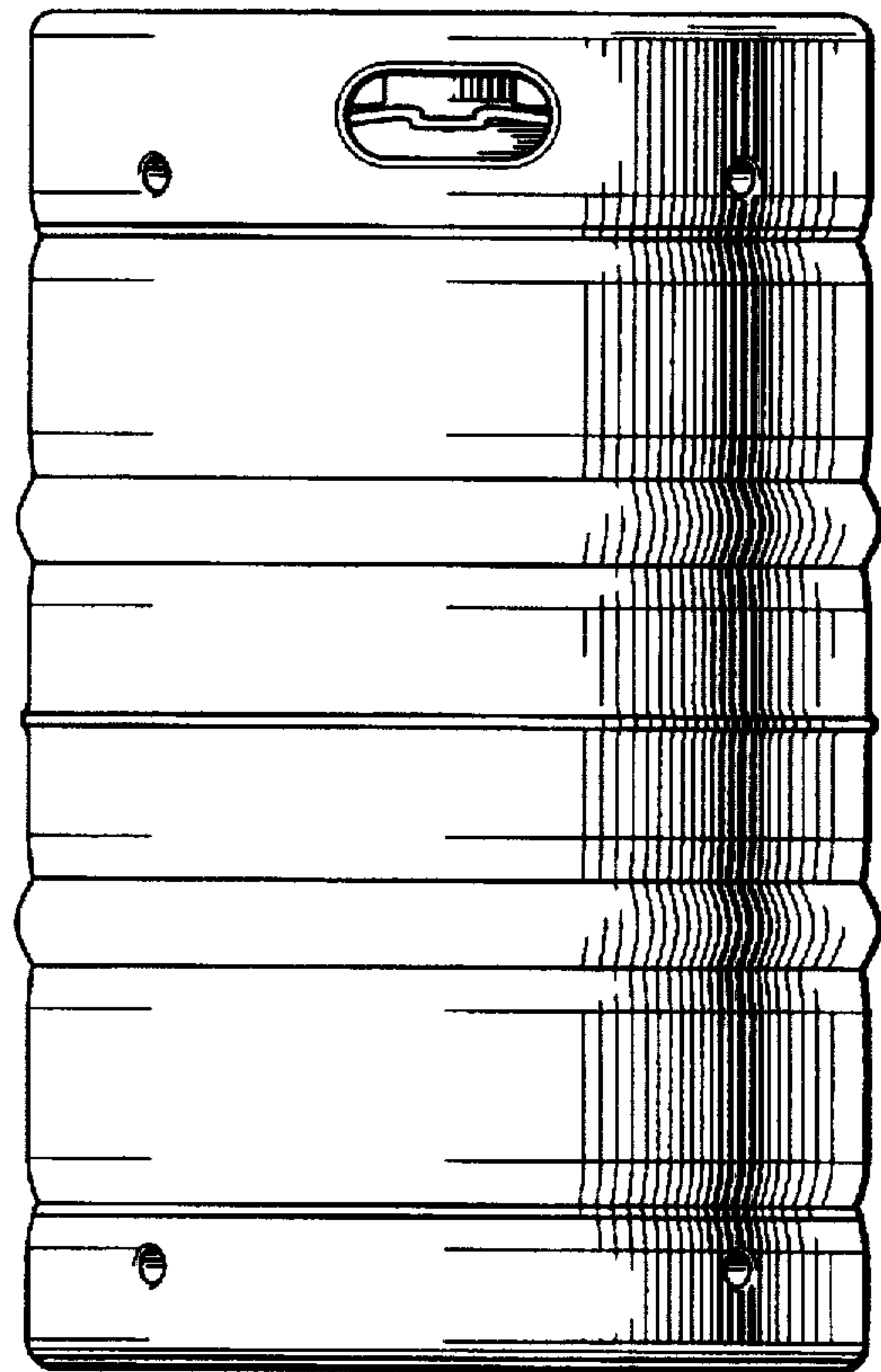


FIG 5

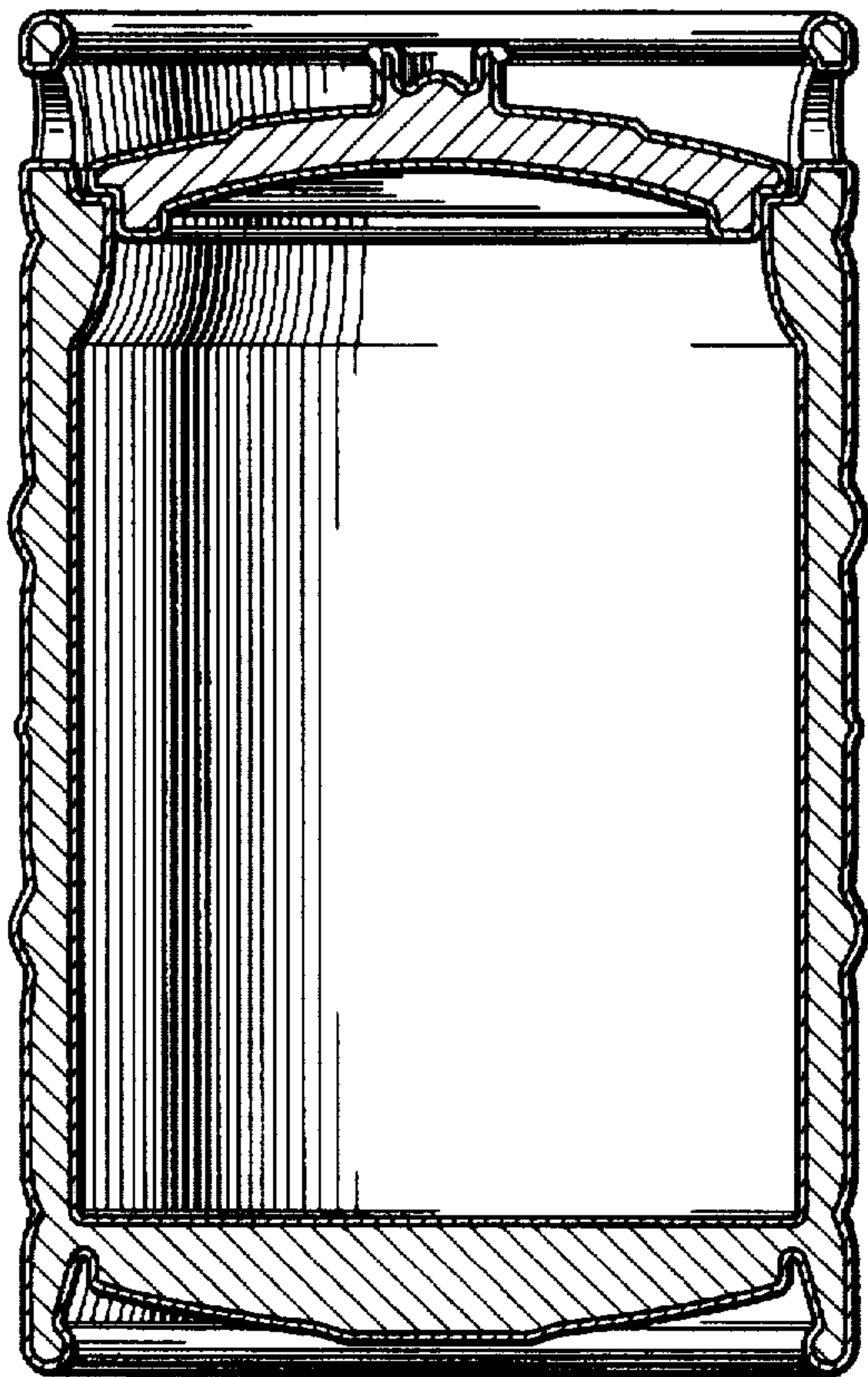


FIG 6

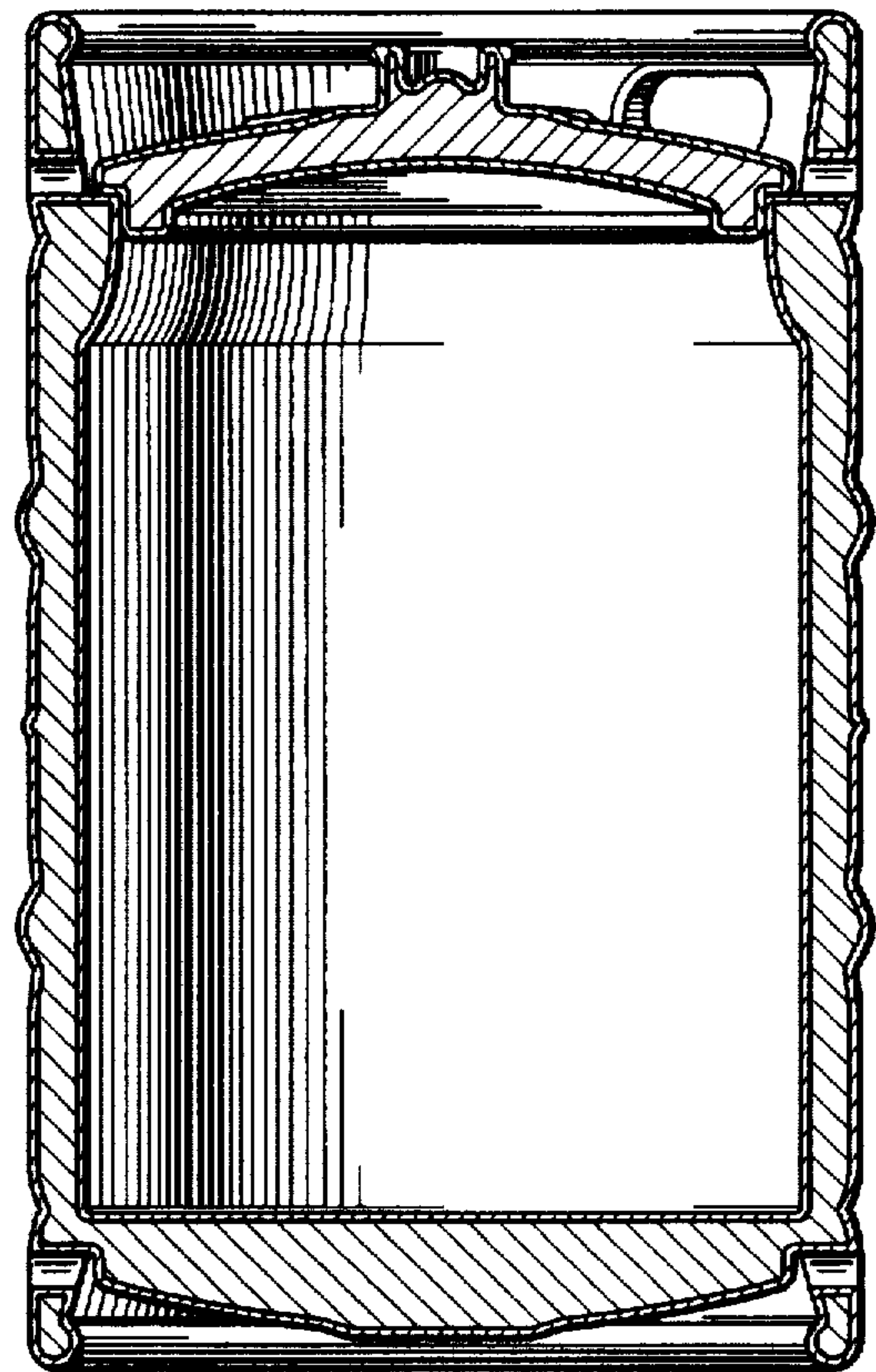
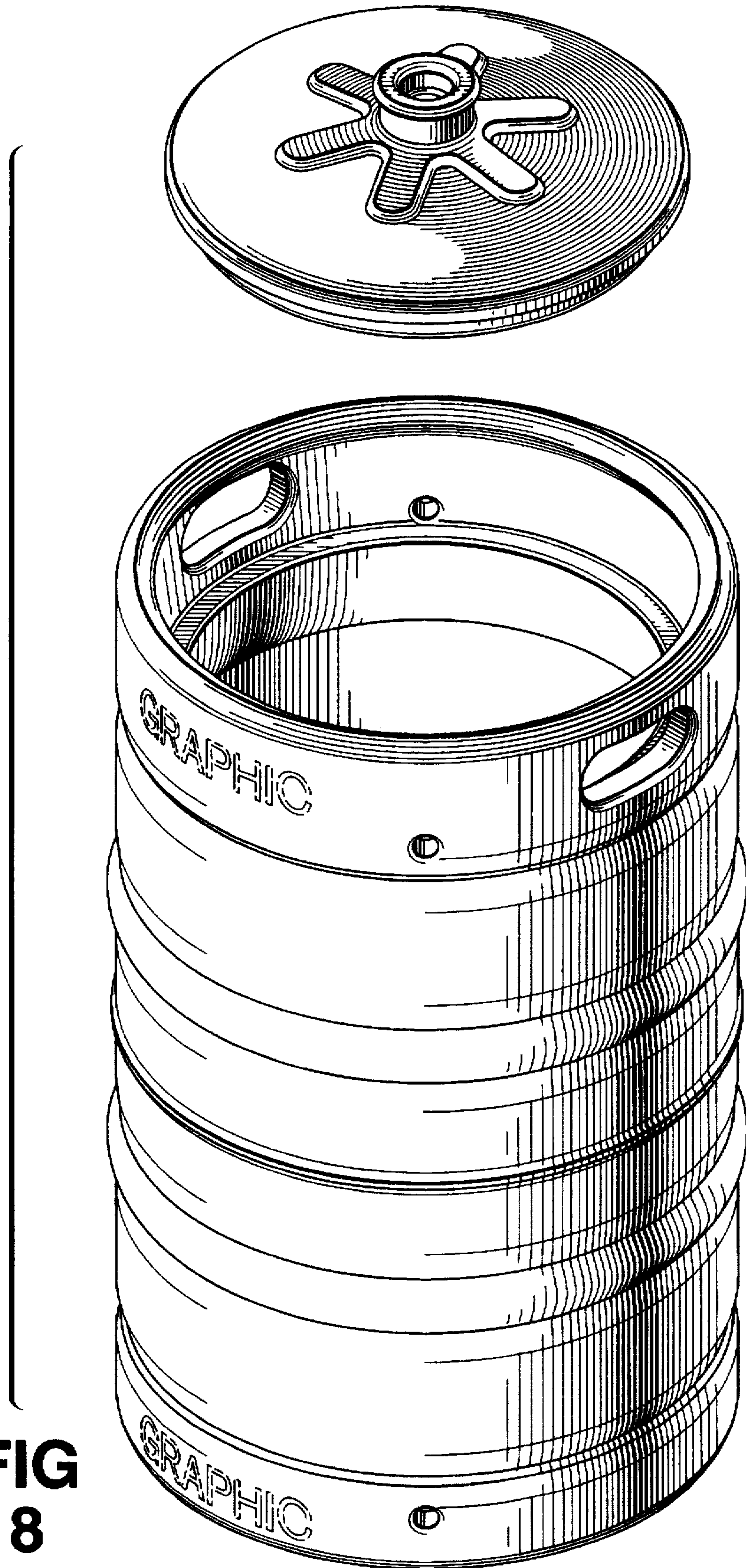


FIG 7



**FIG
8**

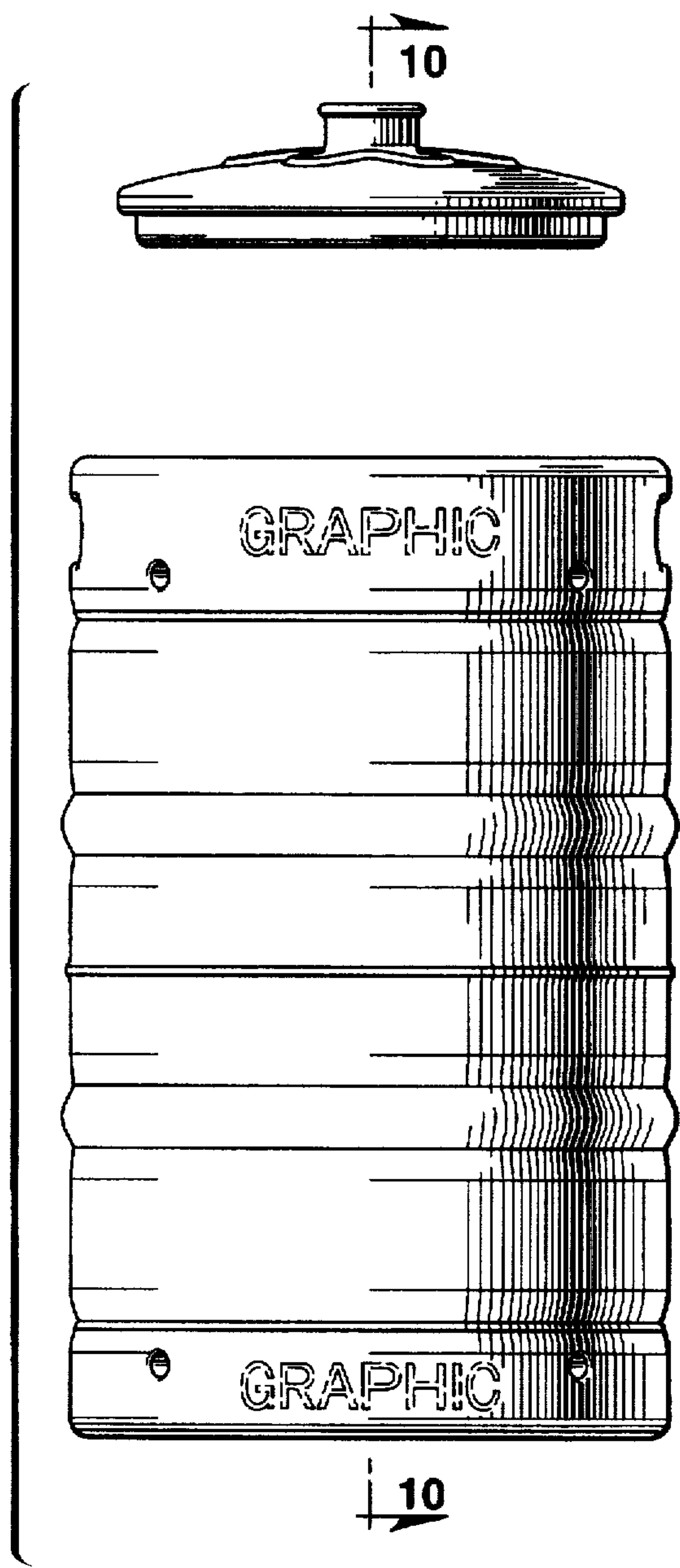


FIG 9

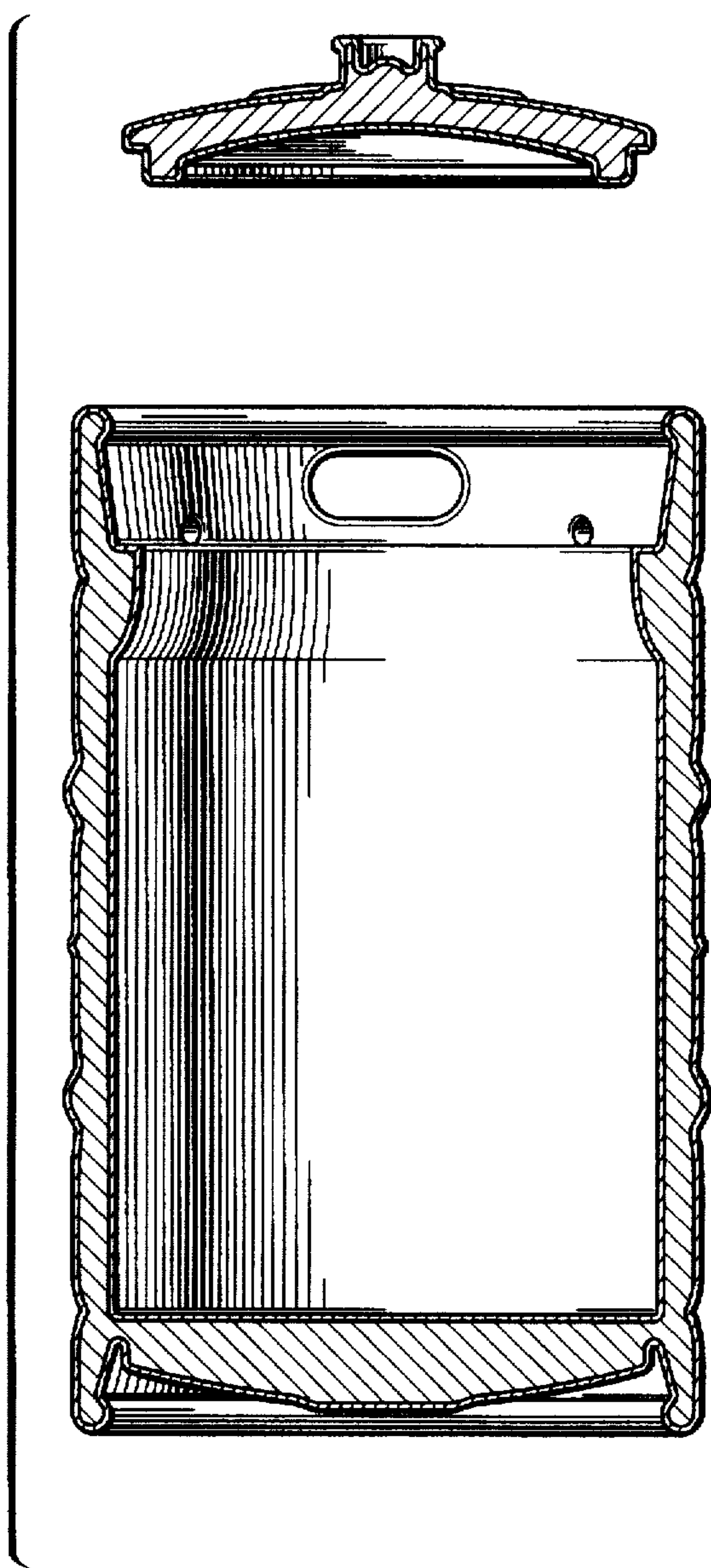


FIG 10

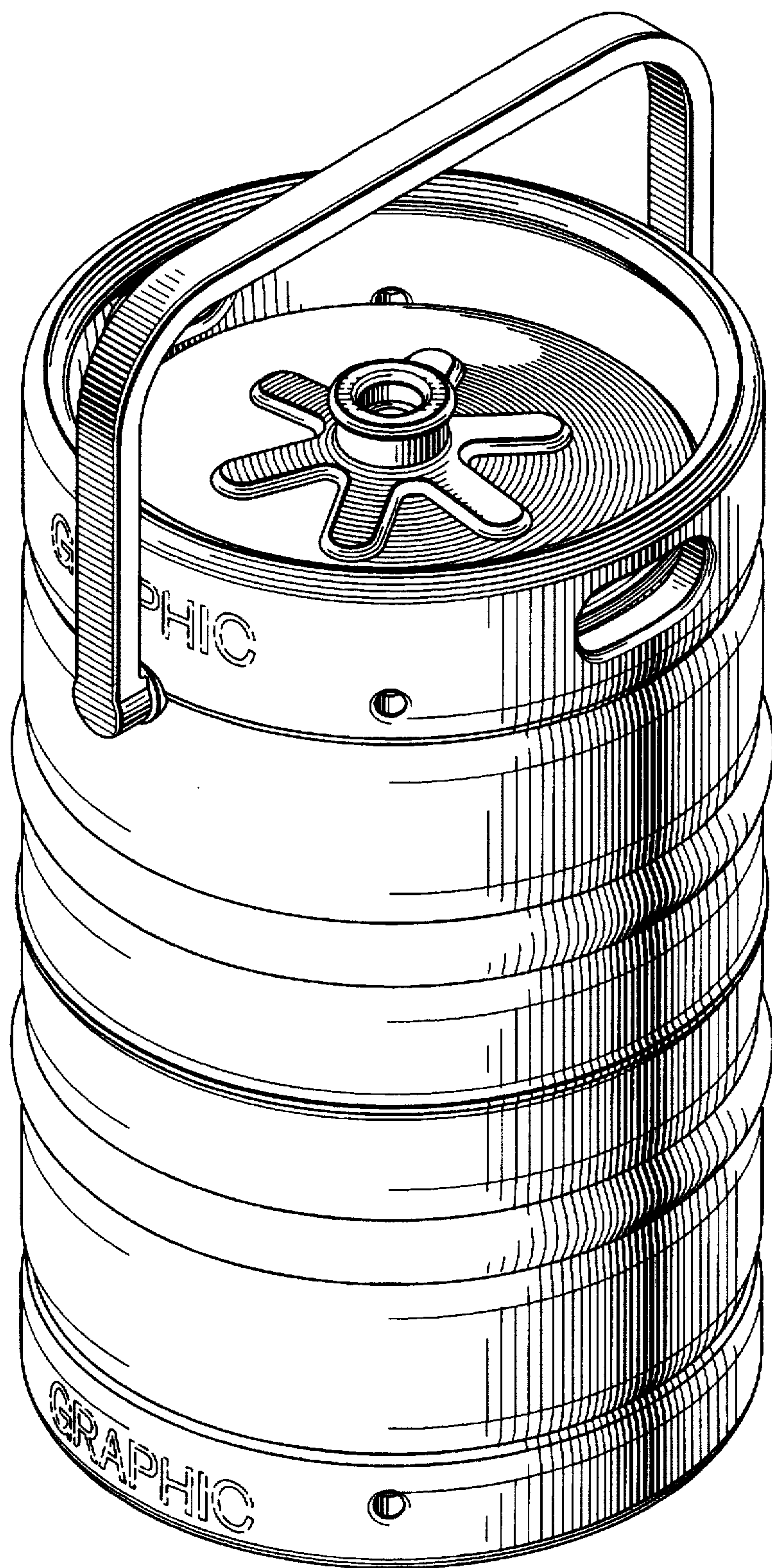


FIG 11

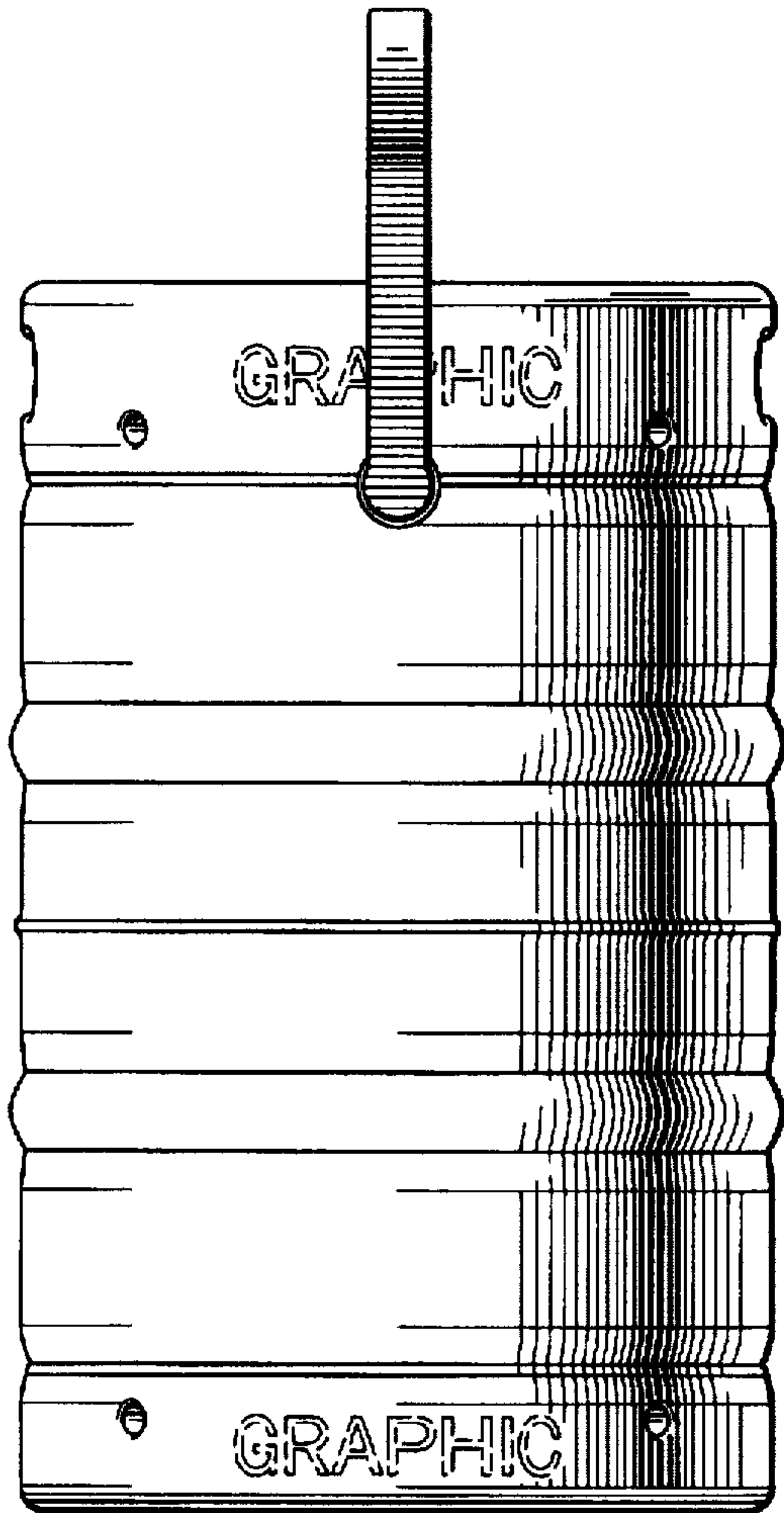


FIG 12

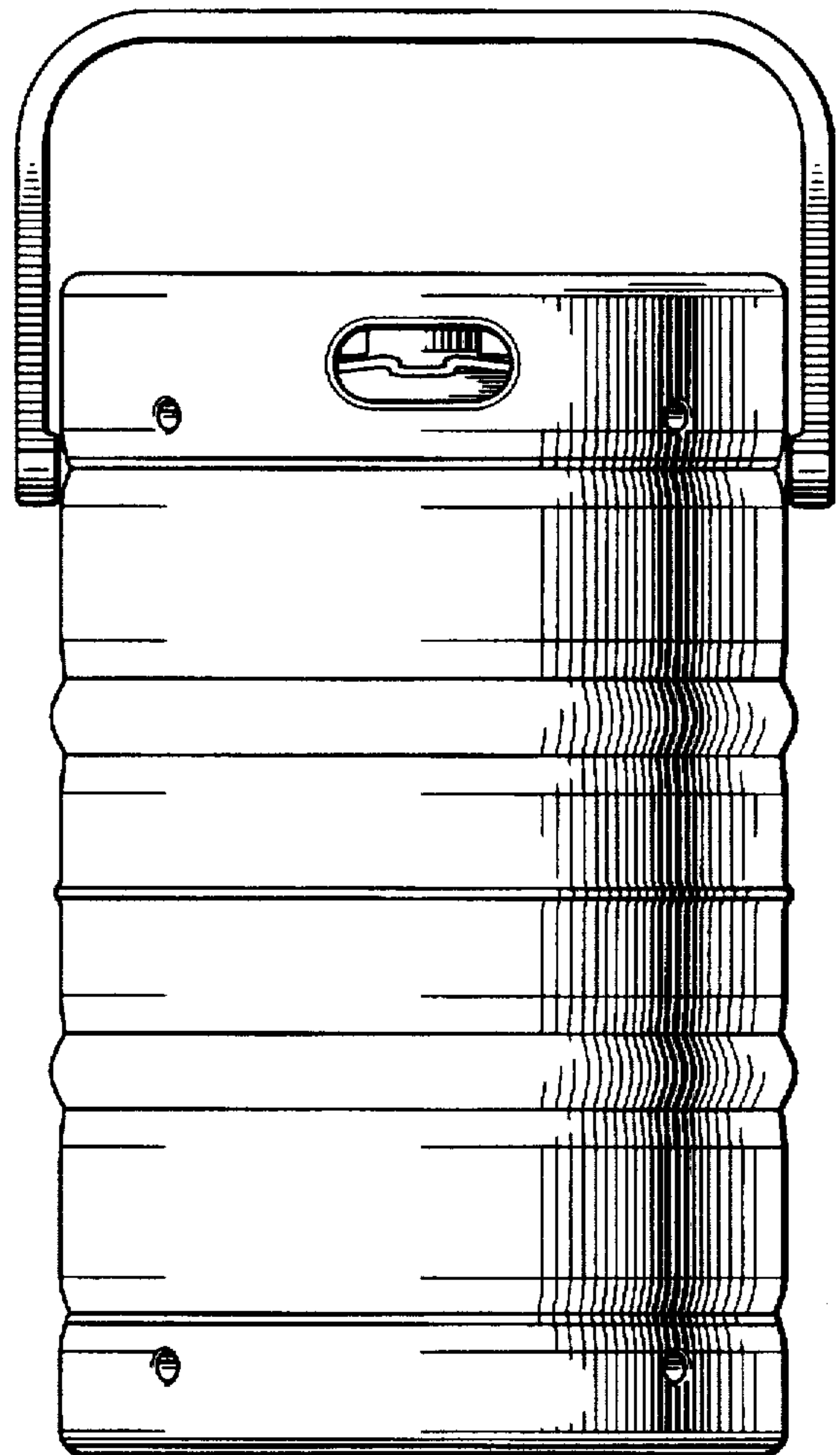


FIG 13

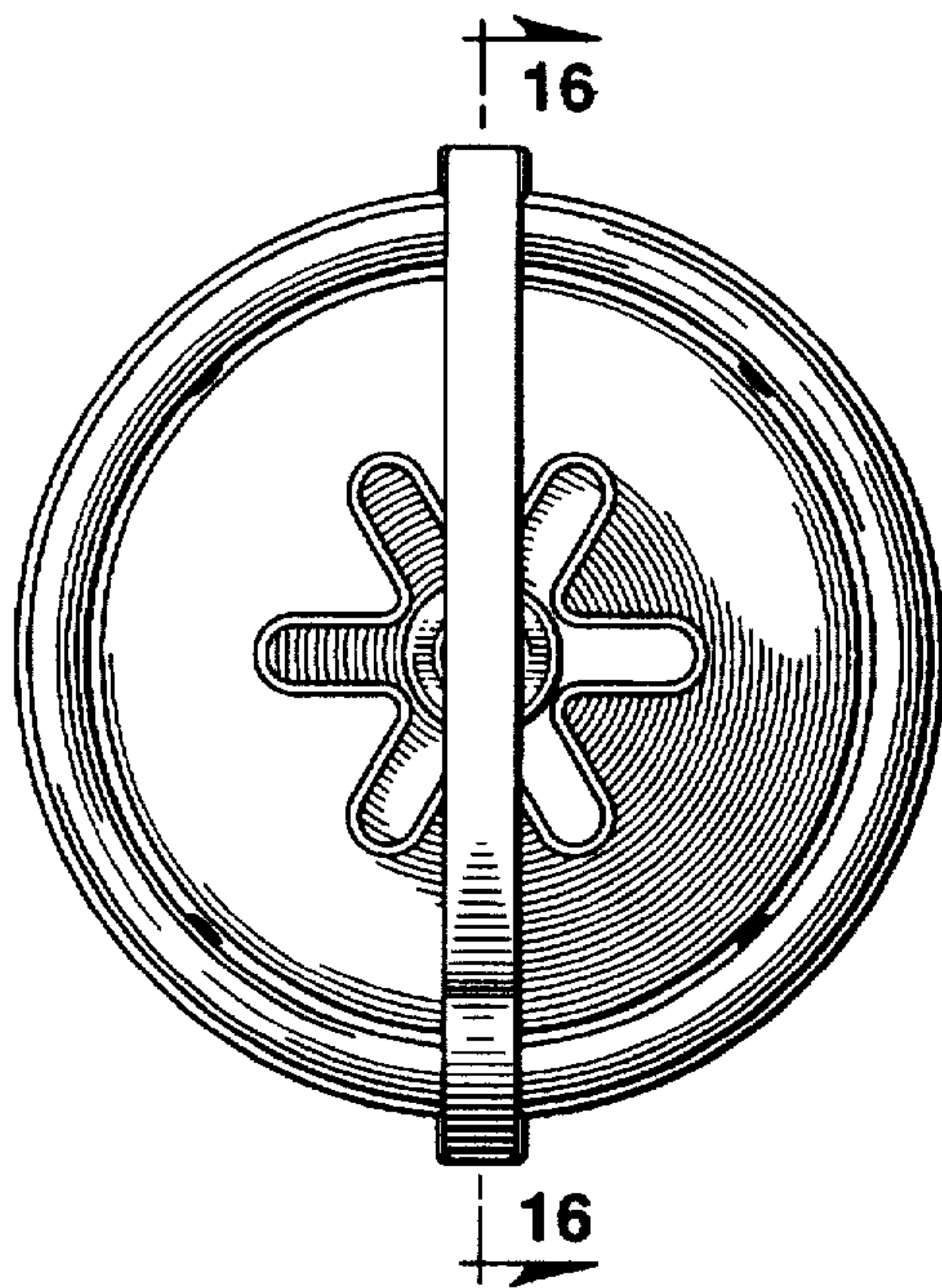


FIG 14

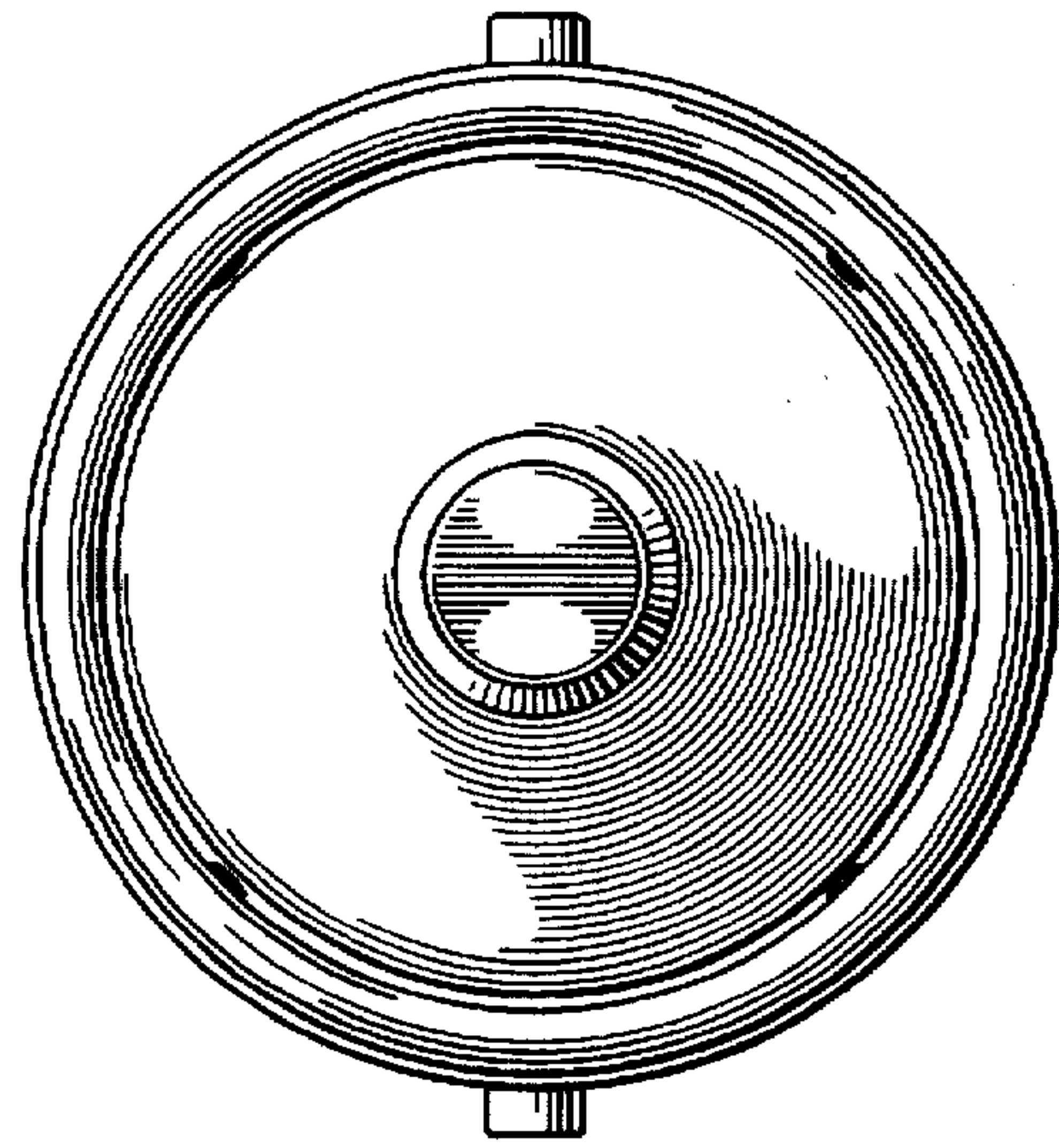


FIG 15

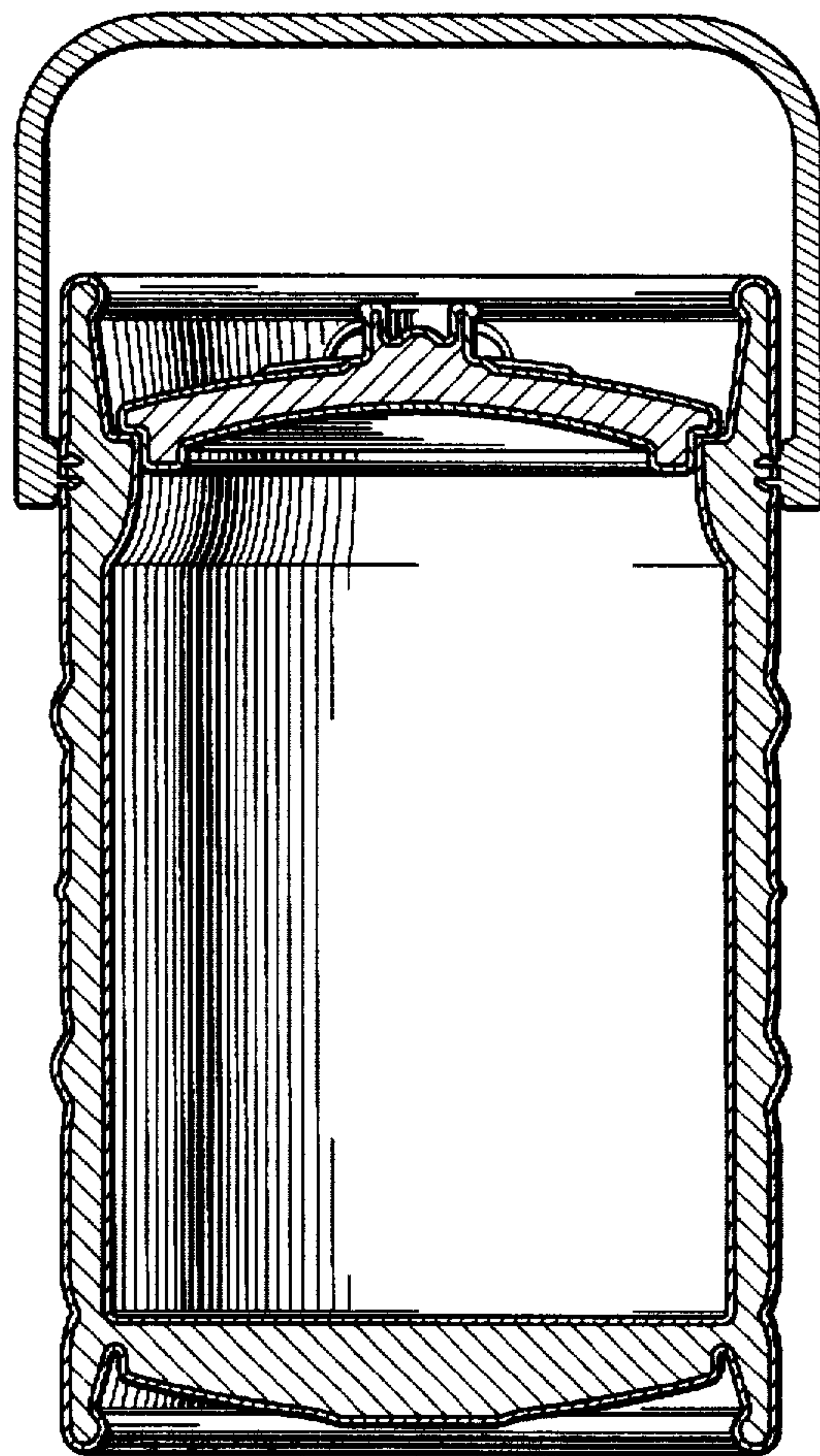


FIG 16