



US00D395198S

United States Patent [19]

Wania

[11] Patent Number: Des. 395,198

[45] Date of Patent: **Jun. 16, 1998

[54] **RADIANT GRILL HEATER**

[75] Inventor: **Darius Sean Wania**, Worcester, England

[73] Assignee: **Ceramaspeed Limited**, England

[**] Term: **14 Years**

[21] Appl. No.: **57,002**

[22] Filed: **Jul. 15, 1996**

[30] **Foreign Application Priority Data**

Mar. 15, 1996 [GB] United Kingdom 2054881

[51] LOC (6) Cl. **07-02**

[52] U.S. Cl. **D7/407; D7/362**

[58] Field of Search D7/402, 405, 407-409, D7/362-363, 367; 126/211, 214 C, 214 D, 220, 221, 214 R, 390; 219/464, 465, 458, 520; 99/422, 425, 447

[56] **References Cited**

U.S. PATENT DOCUMENTS

D. 270,805 10/1983 Goldsworthy D7/363

D. 271,367	11/1983	Goldsworthy	D7/363
D. 368,829	4/1996	Giebel et al.	D7/407
D. 369,515	5/1996	Higgins	D7/407
D. 369,720	5/1996	Giebel et al.	D7/407
2,780,708	2/1957	Glynn et al.	D7/407
2,784,287	3/1957	Glynn	D7/407
4,004,130	1/1977	Blackwood	D7/362

Primary Examiner—Ruth McInroy
Attorney, Agent, or Firm—Ira S. Dorman

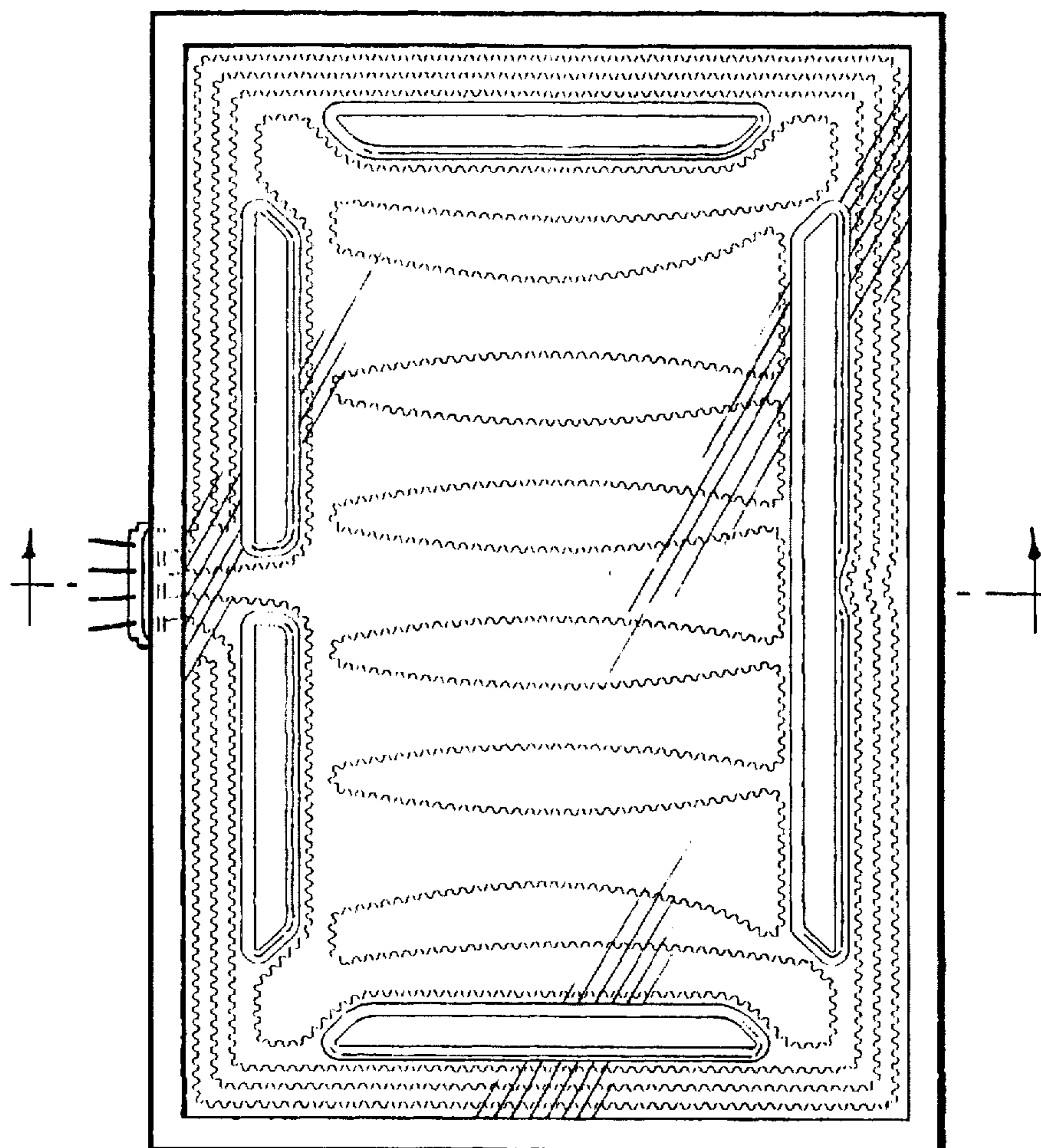
[57] **CLAIM**

The ornamental design for a radiant grill heater, as shown and described.

DESCRIPTION

FIG. 1 is a front plan view of a radiant grill heater showing my new design;
FIG. 2 is a cross-sectional view thereof;
FIG. 3 is a rear plan view thereof;
FIG. 4 is a first side elevational view thereof;
FIG. 5 is a second side elevational view thereof;
FIG. 6 is a third side elevational view thereof; and,
FIG. 7 is a fourth side elevational view thereof.

1 Claim, 2 Drawing Sheets



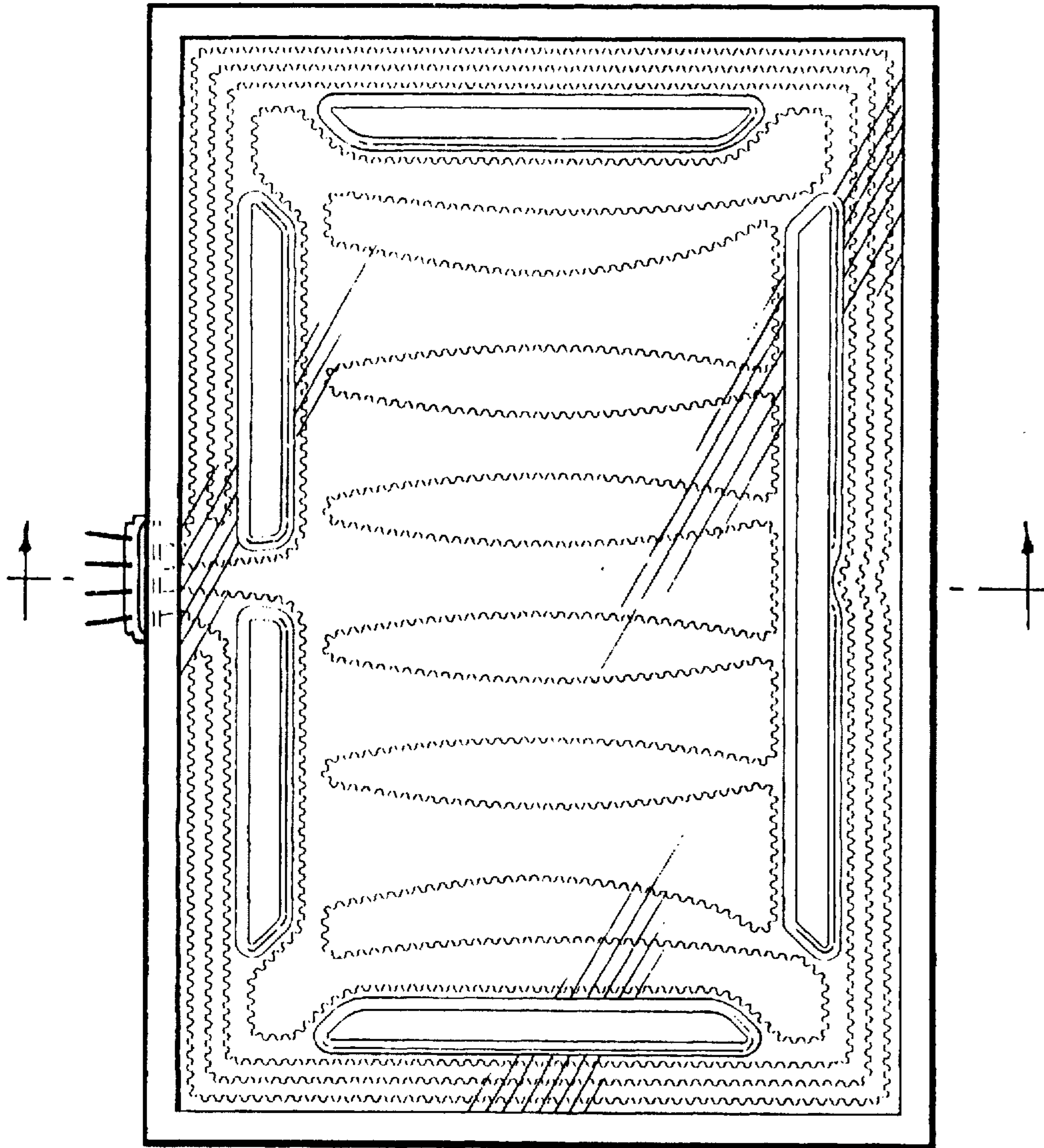


FIG 1



FIG 2

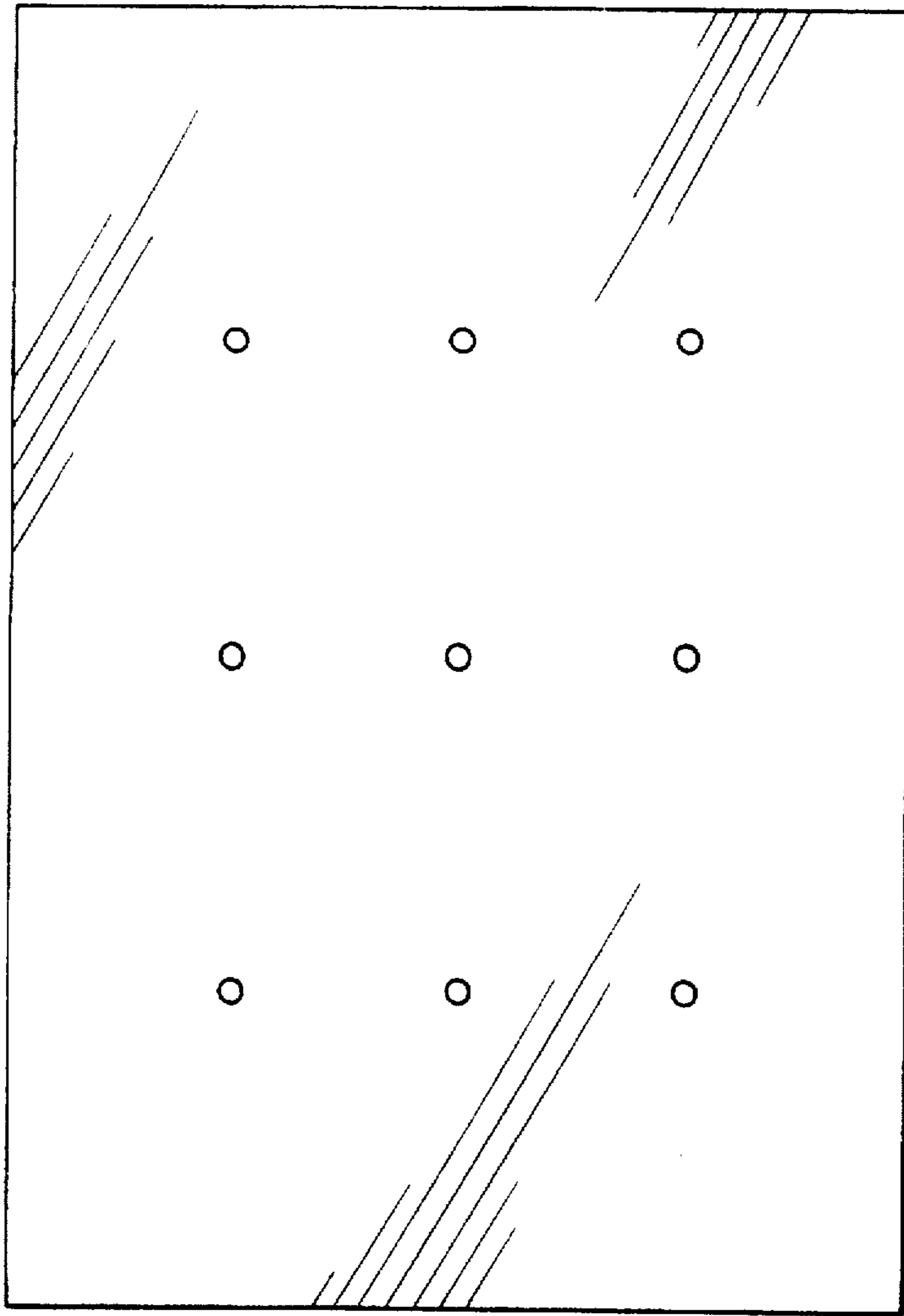


FIG 3



FIG 4

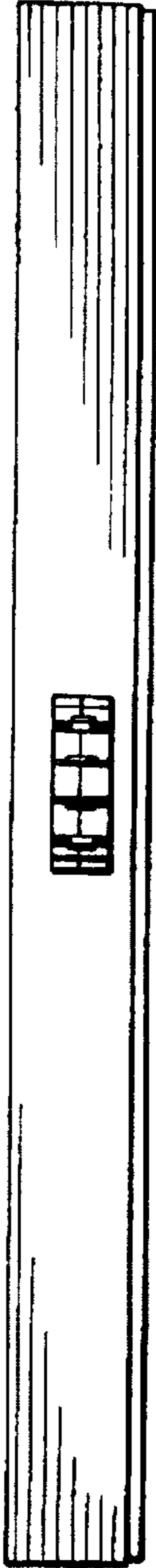


FIG 5

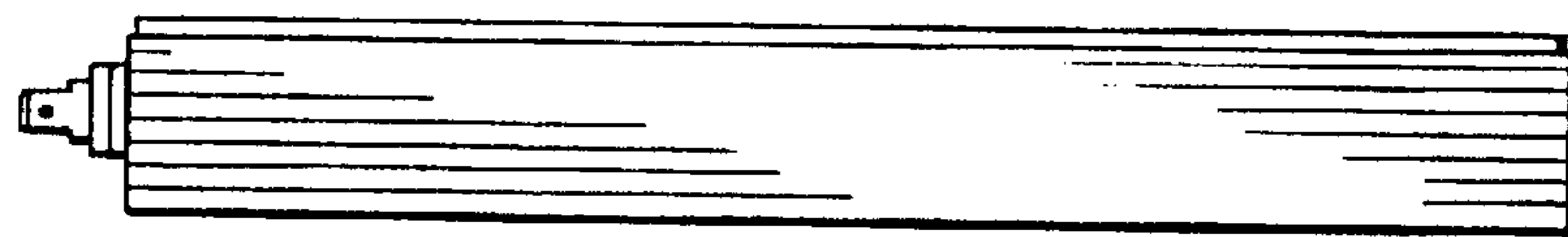


FIG 6

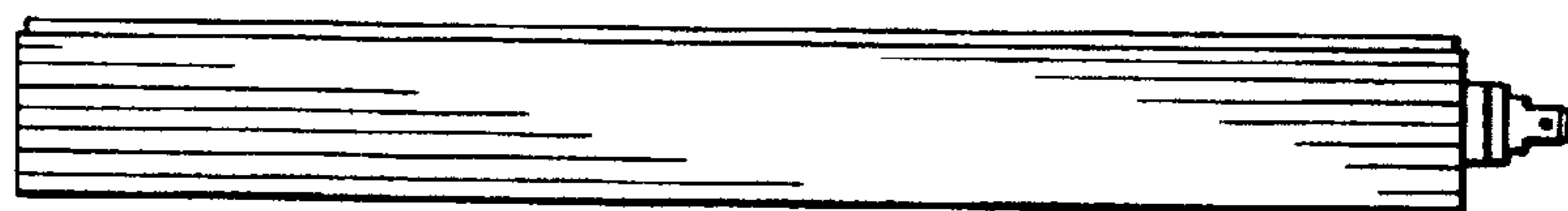


FIG 7