



US00D395197S

United States Patent [19]
Janků et al.

[11] **Patent Number: Des. 395,197**

[45] **Date of Patent: **Jun. 16, 1998**

[54] **DRINKING GLASS STEM**

[75] Inventors: **Miloš Janků**, Liberec III.; **Jiří Novotný**, Liberec I, both of Czech Rep.

[73] Assignee: **Crystalex a.s.**, Novy Bor, Czech Rep.

[**] Term: **14 Years**

[21] Appl. No.: **56,353**

[22] Filed: **Jun. 27, 1996**

[51] LOC (6) Cl. **07-99**

[52] U.S. Cl. **D7/396.6; D7/396.2; D7/528**

[58] Field of Search **D7/619, 622, 507, D7/509, 524, 531, 527, 537, 525, 522, 528, 559, 396.2, 396.6, 532**

[56] **References Cited**

U.S. PATENT DOCUMENTS

D. 65,305	7/1924	Schmidt	D7/528
D. 98,539	2/1936	McCartney	D7/522
D. 254,237	2/1980	Angelakos	D7/528
D. 283,660	5/1986	Blake et al.	D7/528
D. 284,153	6/1986	Blake et al.	D7/528
D. 284,155	6/1986	Blake et al.	D7/528
D. 285,516	9/1986	Miller	D7/528 X
D. 355,812	2/1995	Du Bow	D7/524 X

FOREIGN PATENT DOCUMENTS

18512 of 1900 United Kingdom D7/507 X

OTHER PUBLICATIONS

Caithness Glass, Tableware international, Mar. 1977, p. 17.

Primary Examiner—M. N. Pandozzi
Attorney, Agent, or Firm—Watson Cole Stevens Davis, P.L.L.C.

[57] **CLAIM**

The ornamental design for a drinking glass stem, as shown and described.

DESCRIPTION

FIG. 1 is a front elevational view of a drinking glass stem showing our new design;

FIG. 2 is a top plan view thereof;

FIG. 3 is a bottom plan view thereof;

FIG. 4 is a sectional view thereof taken along line 4—4 of FIG. 1;

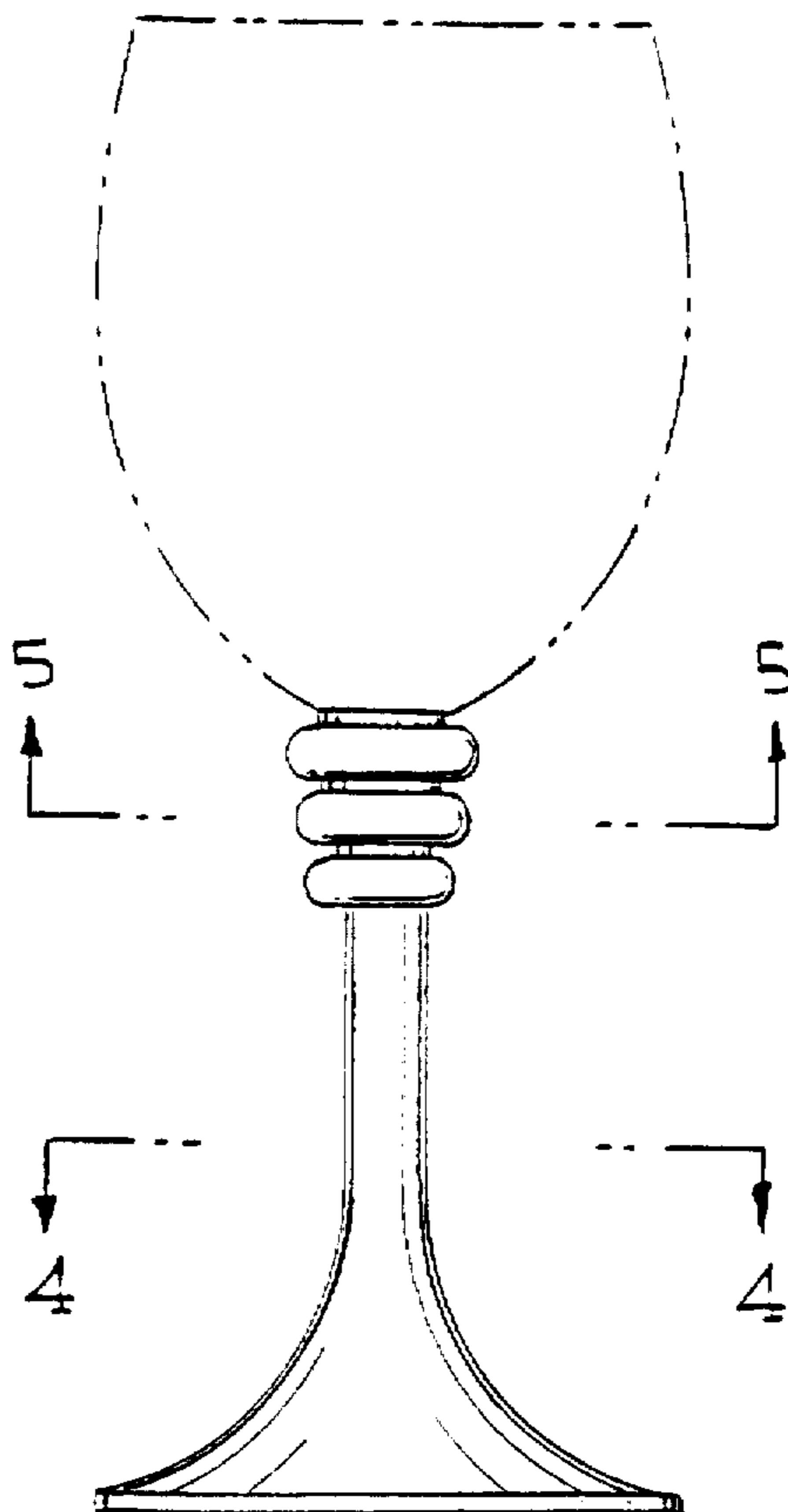
FIG. 5 is a sectional view thereof taken along line 5—5 of FIG. 1; and

FIG. 6 is a front elevational view of a drinking glass stem showing a second embodiment of our new design.

The broken line showing of an upper portion of a drinking glass in FIGS. 1 and 6 is for illustrative purposes only and forms no part of the claimed design.

The top and bottom plan views are substantially the same in the second embodiment as are shown in the first except that the diameter of the base is larger in the second embodiment.

1 Claim, 1 Drawing Sheet



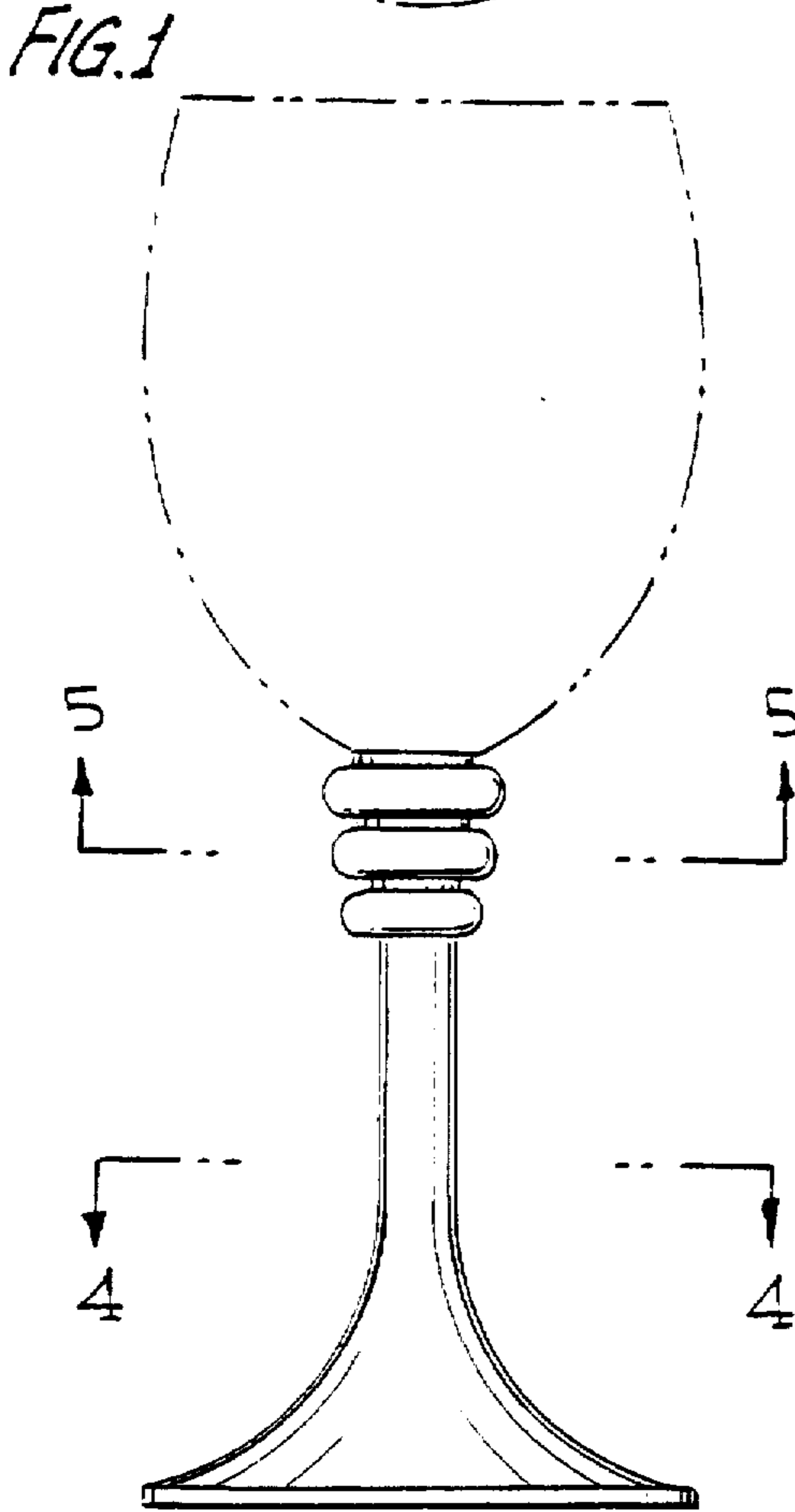
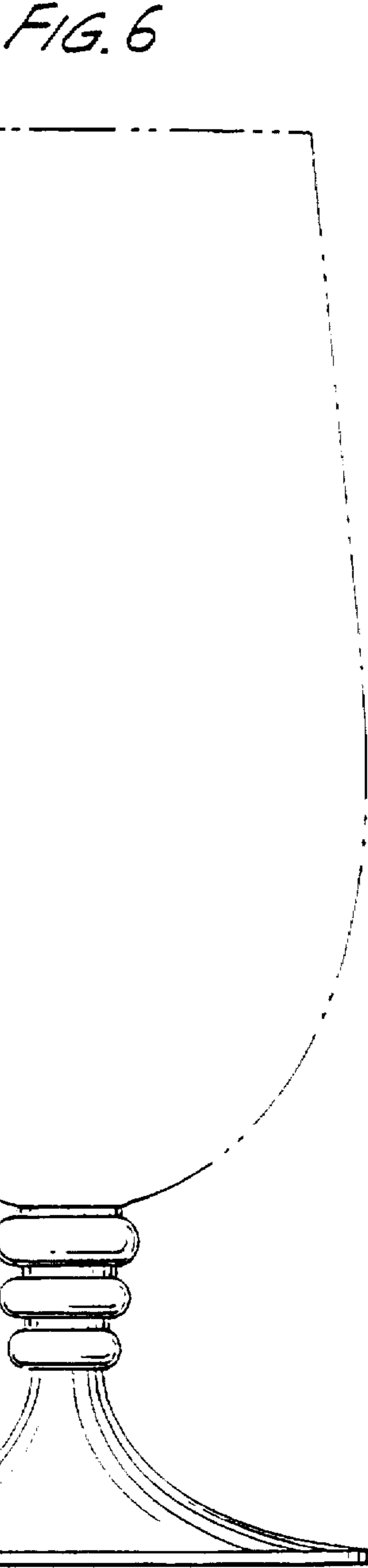
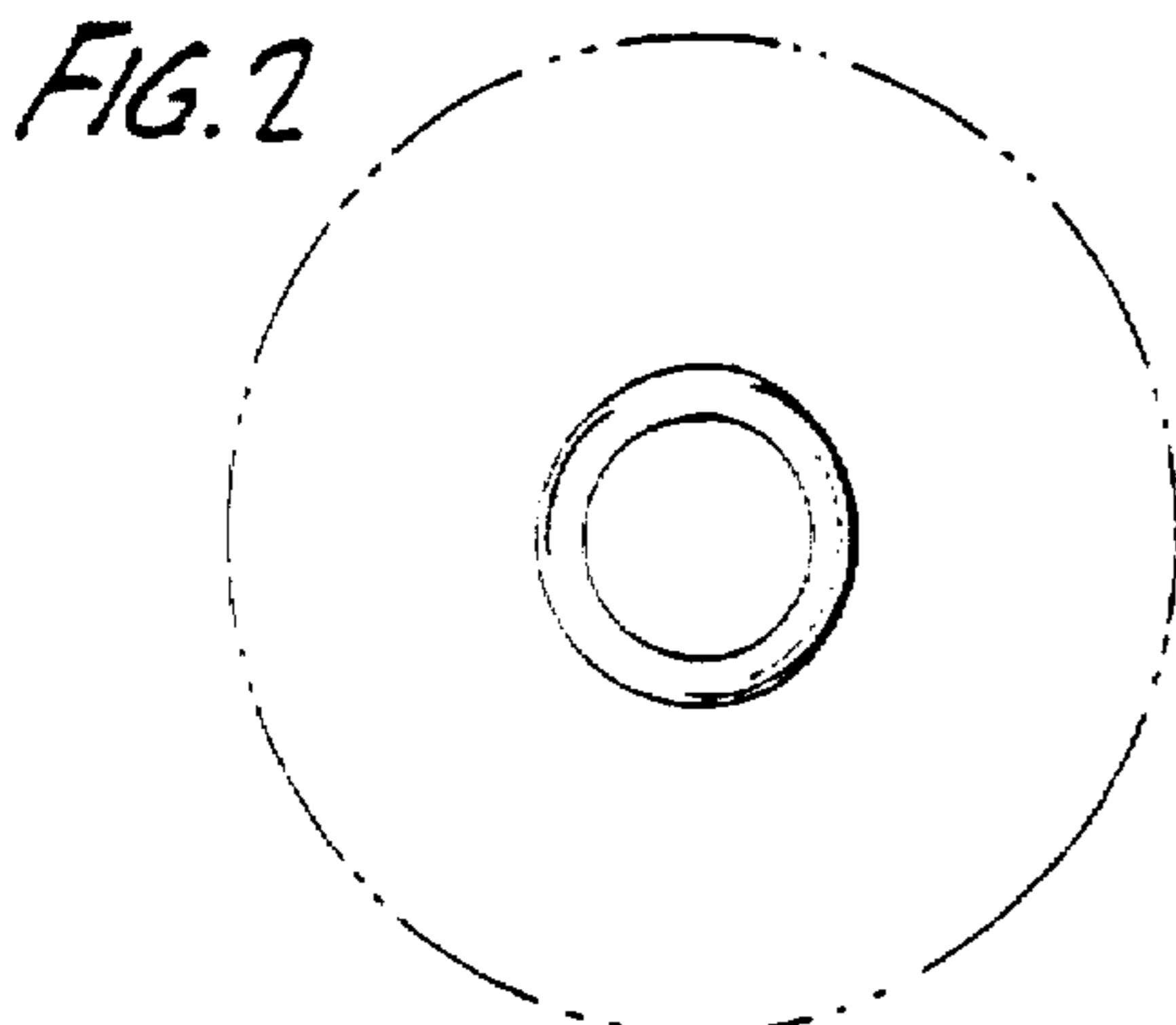


FIG. 3

FIG. 4

FIG. 5

