

US00D395195S

# United States Patent [19]

Heiberg et al.

[11] Patent Number: **Des. 395,195**

[45] Date of Patent: **\*\*Jun. 16, 1998**

[54] **SPLASH GUARD/BOWL STAND**

[75] Inventors: **Jakob Heiberg**, Charlottenlund; **Stig Lillelund**, Gentofte, both of Denmark

[73] Assignee: **Dart Industries Inc.**, Orlando, Fla.

[\*\*] Term: **14 Years**

[21] Appl. No.: **64,319**

[22] Filed: **Dec. 27, 1996**

[51] **LOC (6) Cl.** ..... **07-99**

[52] **U.S. Cl.** ..... **D7/391; D7/387; D7/388**

[58] **Field of Search** ..... **D7/387, 388, 391, D7/354; 366/343, 347; 220/237, 912, DIG. 21; 99/418**

[56] **References Cited**

**U.S. PATENT DOCUMENTS**

D. 100,343	7/1936	Zoia	.....	D7/388
D. 115,649	7/1939	Emmer	.....	D7/388
D. 169,799	6/1953	Bourne-Vanneck	.....	D7/388
D. 232,511	8/1974	Heiser et al.	.....	D7/391
D. 265,061	6/1982	Tricinella	.....	D7/391 X
D. 282,340	1/1986	Lam	.....	D7/387
D. 288,891	3/1987	Saito	.....	D7/391
D. 368,827	4/1996	Thomas	.....	D7/354
2,083,299	6/1937	Hunter	.....	D7/388 X
2,682,970	7/1954	Brothers, Jr.	.....	220/361
2,802,499	8/1957	Tupper	.....	366/347
5,409,126	4/1995	DeMars	.....	220/4.27

**FOREIGN PATENT DOCUMENTS**

834287 8/1938 France .

**OTHER PUBLICATIONS**

"Chinese Cooking Made Easy: Great Gift Idea", Woodward & Lothrop Dec. 1982.  
Popular Mechanics, Apr. 1954, p. 142.

*Primary Examiner*—Caron D. Veynar  
*Attorney, Agent, or Firm*—John A. Doninger

[57] **CLAIM**

The ornamental design for a splash guard/bowl stand, as shown and described.

**DESCRIPTION**

FIG. 1 is a top perspective view of the splash guard/bowl stand showing our new design;

FIG. 2 is an inverted perspective view thereof;

FIG. 3 is a side elevation view thereof, all side elevations being the same;

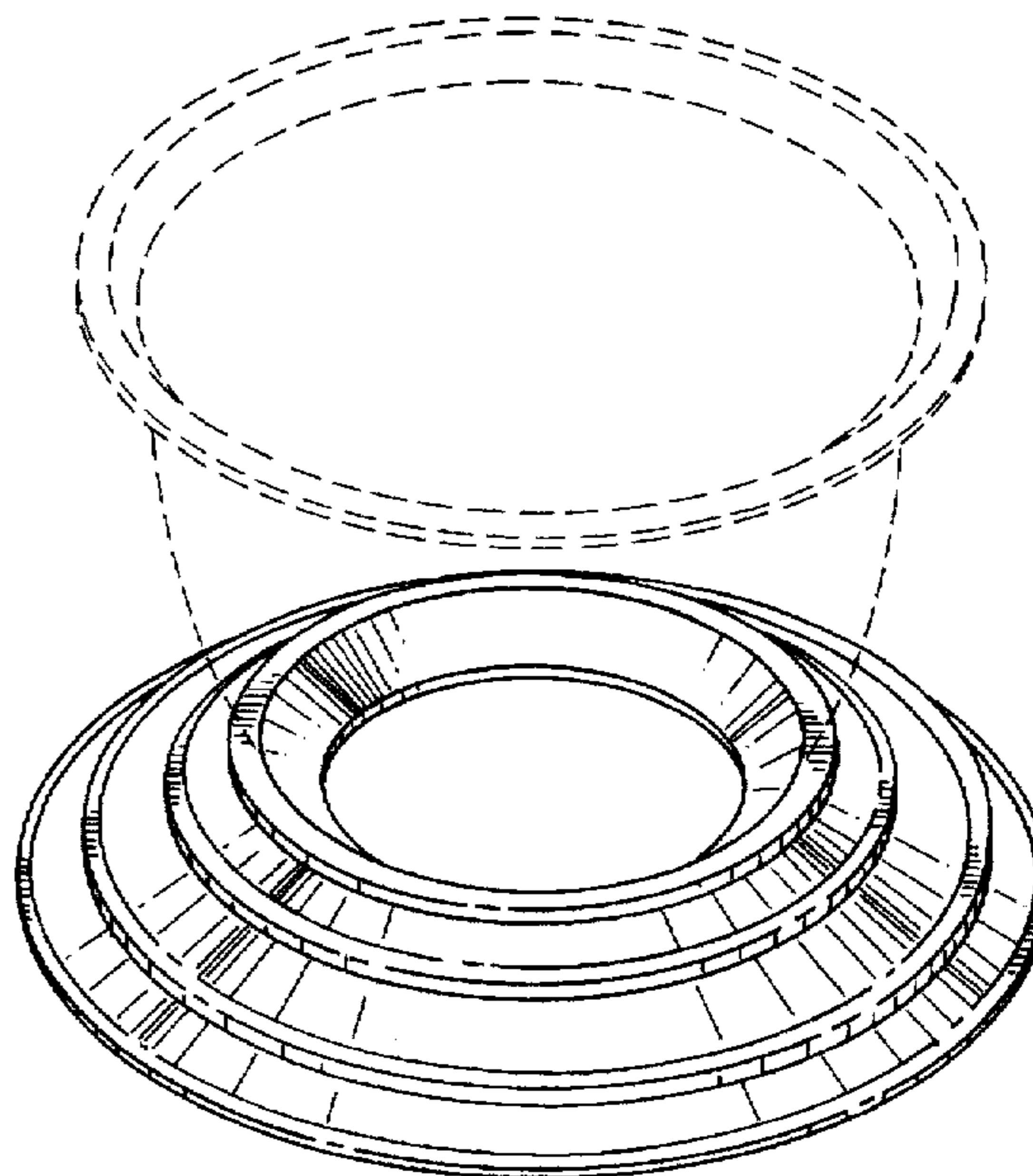
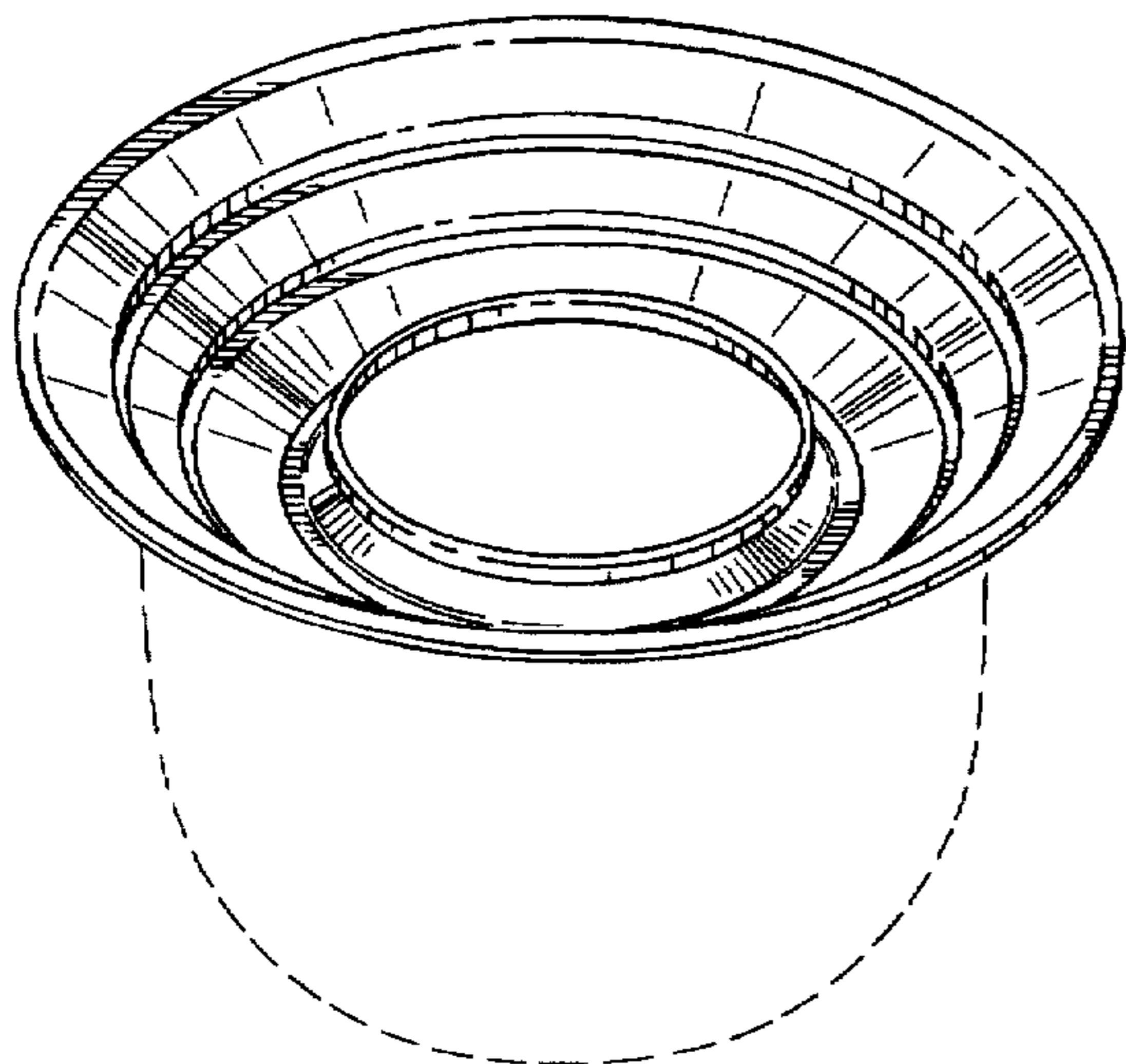
FIG. 4 is a top plan view thereof;

FIG. 5 is a bottom plan view thereof; and,

FIG. 6 is a cross section view taken along line 6—6 in FIG. 4.

The broken line showing of a bowl in FIGS. 1 and 2 are for illustrative purposes only and forms no part of the claimed design.

**1 Claim, 4 Drawing Sheets**



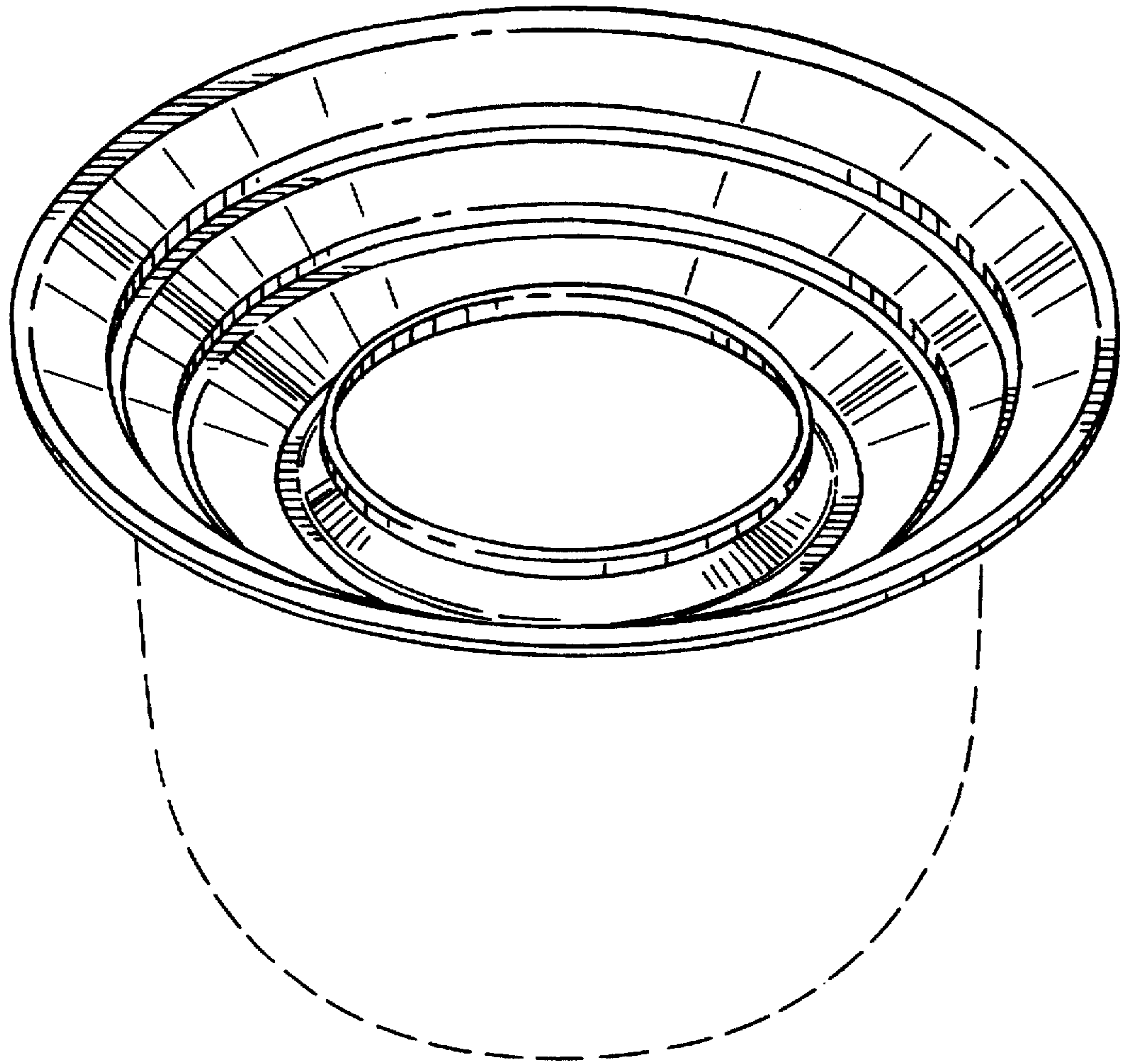


FIG. 1

FIG. 2

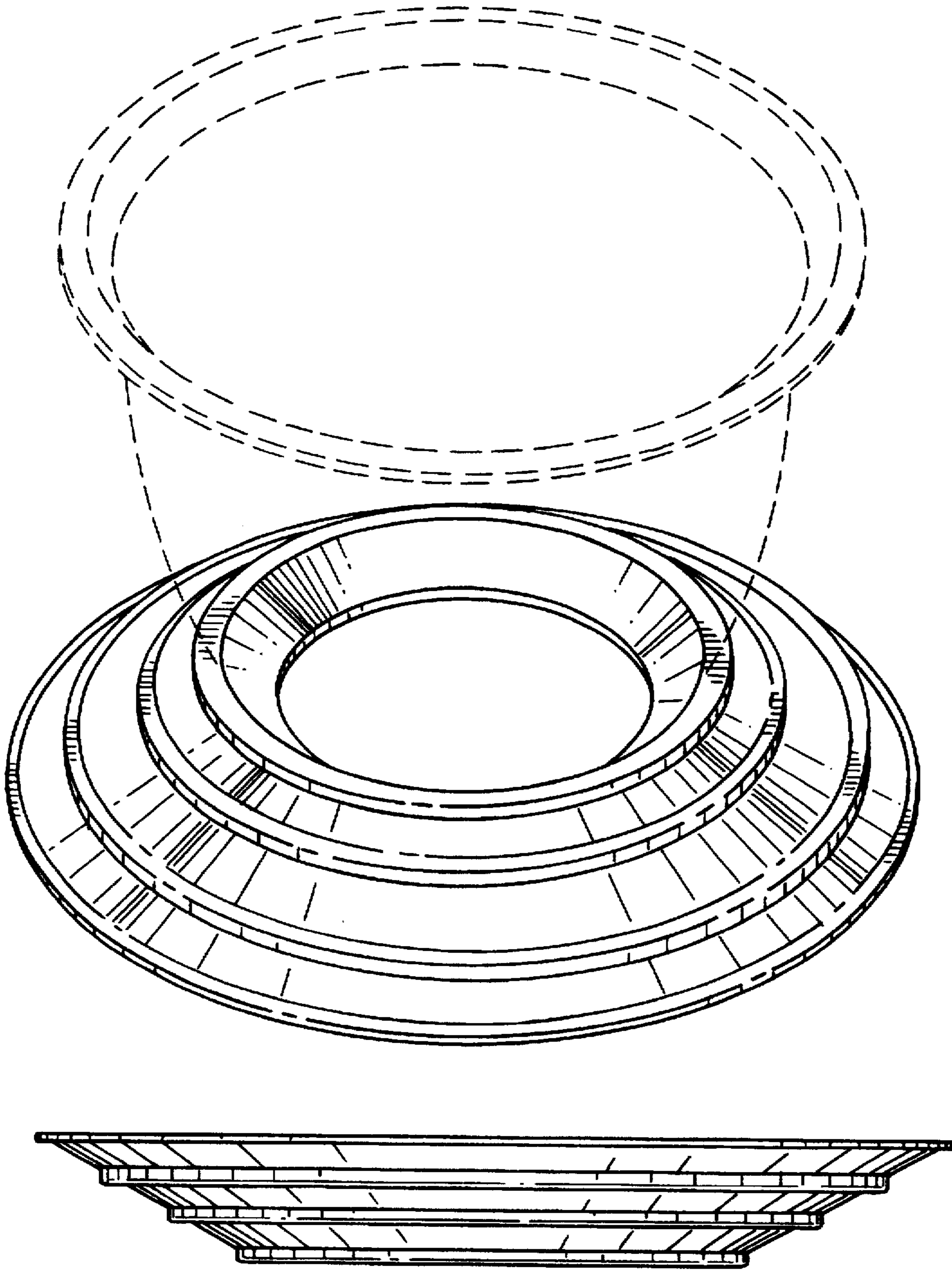


FIG. 3

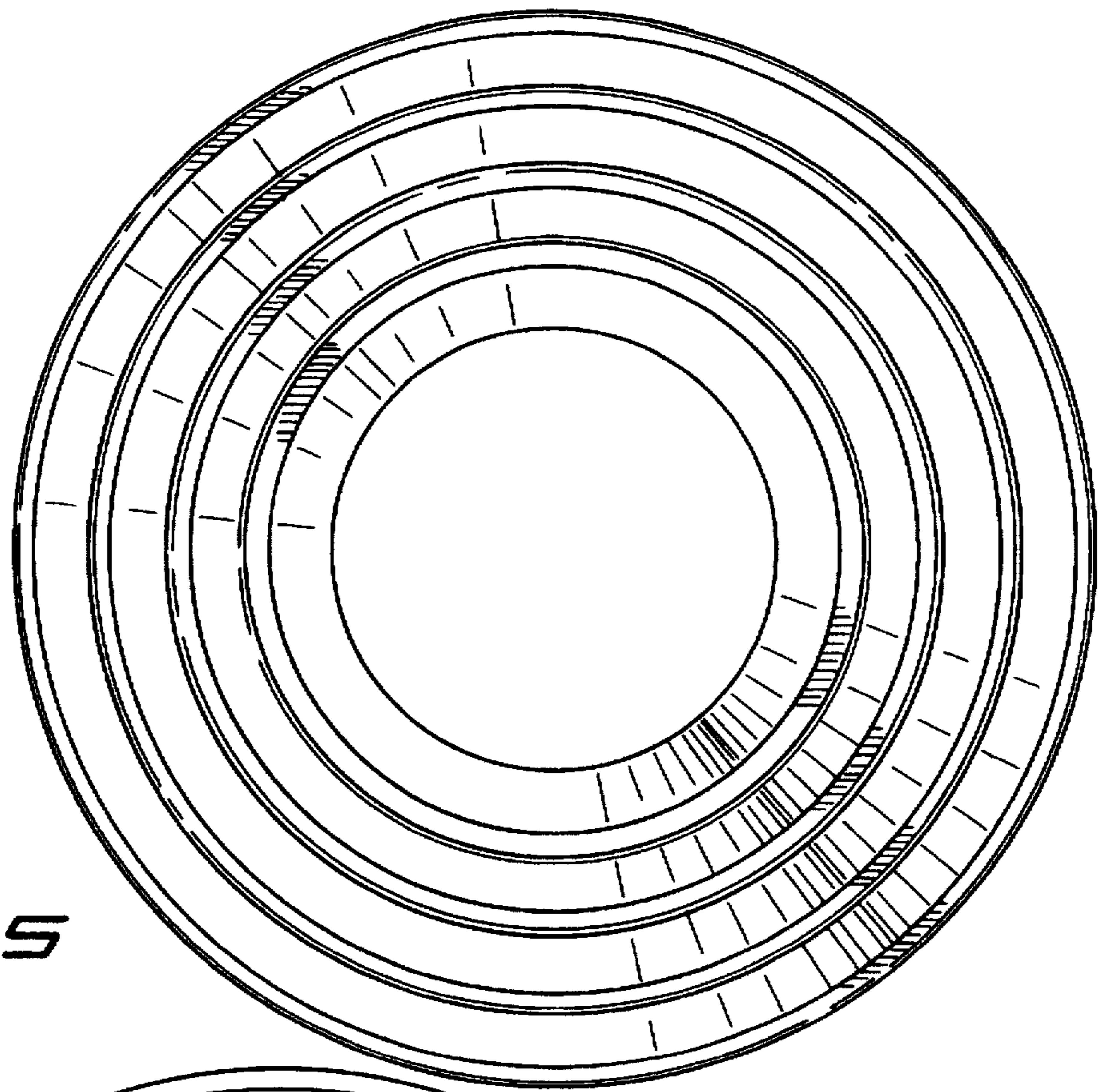


FIG. 5

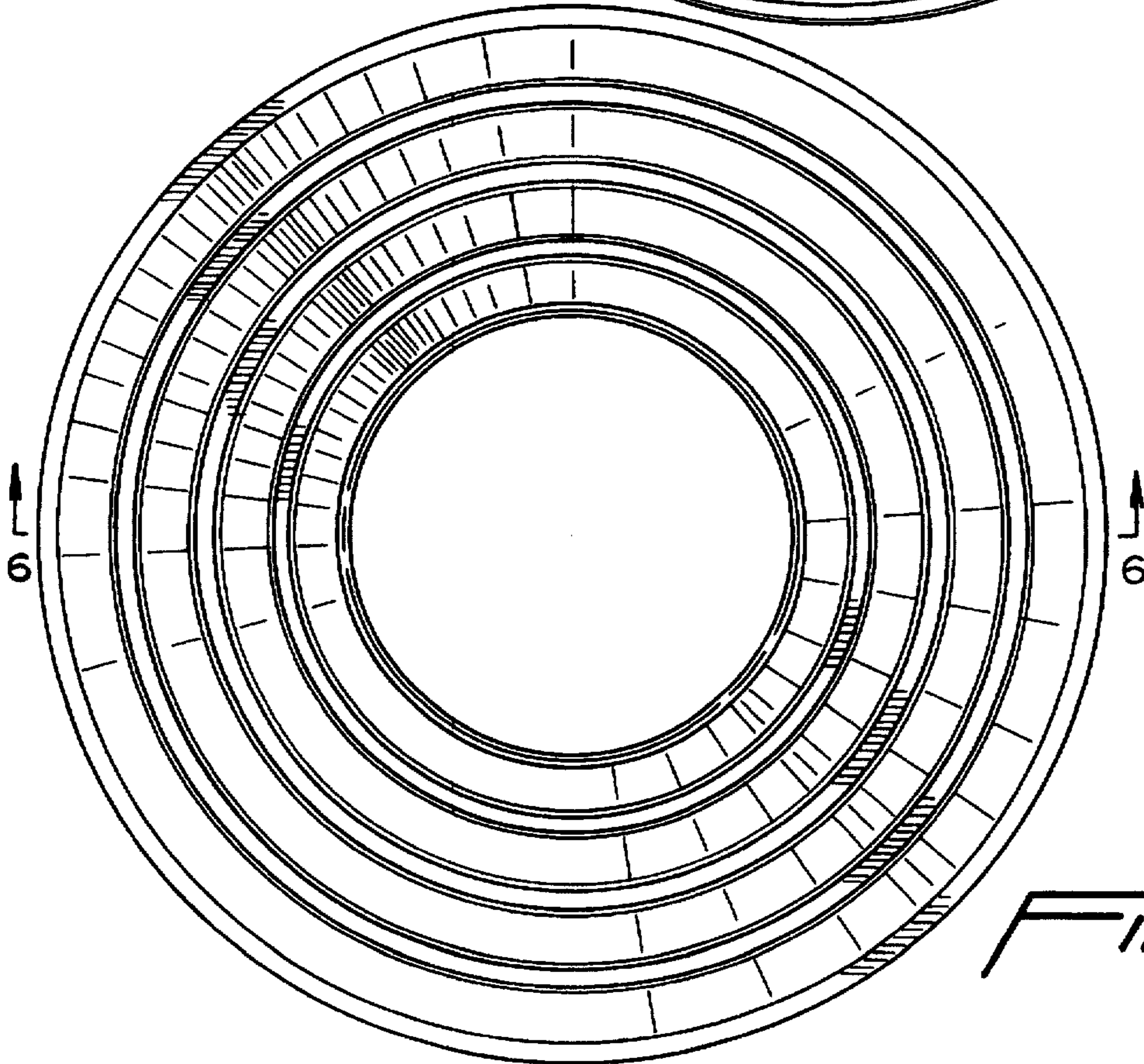


FIG. 4

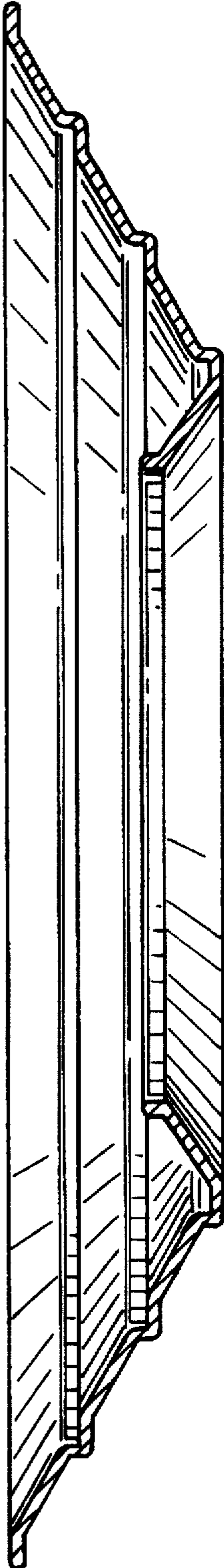


FIG. 6