



US00D395194S

United States Patent [19]

Wong

[11] Patent Number: Des. 395,194

[45] Date of Patent: **Jun. 16, 1998

[54] FOOD PROCESSOR

[76] Inventor: Yan Kwong Wong, Unit 17, 10/F
Metro Centre 11, 21 Lam Hing Street,
Kowloon Bay, Kowloon, Hong Kong

[**] Term: 14 Years

[21] Appl. No.: 64,285

[22] Filed: Dec. 26, 1996

[51] LOC (6) Cl. 31-00

[52] U.S. Cl. D7/384; D7/376

[58] Field of Search D7/376-386, 412;
366/242, 247, 244, 279, 129, 130, 197,
199, 204, 205, 314, 149; 241/282.2, 282.1,
92, 93

[56] **References Cited**

U.S. PATENT DOCUMENTS

- D. 361,694 8/1995 Wong D7/384
- D. 373,049 8/1996 Le Rouzic D7/413

- 4,149,455 4/1979 Ross 366/247 X
- 4,488,817 12/1984 Uesaka et al. 366/149
- 5,156,084 10/1992 Lin 366/279 X

Primary Examiner—Caron D. Veynar
Attorney, Agent, or Firm—Salter & Michaelson

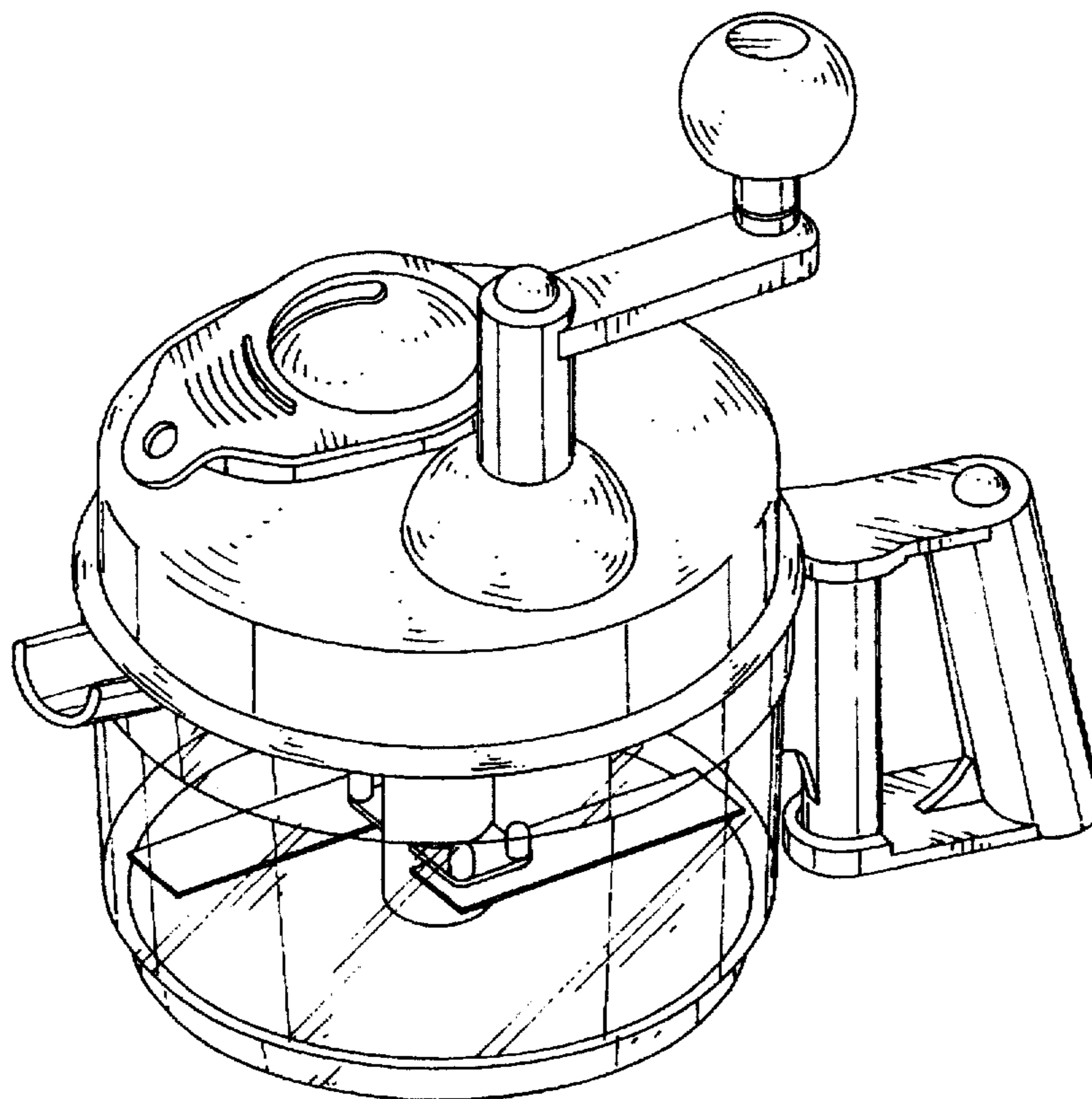
[57] **CLAIM**

The ornamental design for a food processor, as shown and described.

DESCRIPTION

FIG. 1 is a perspective view of a food processor showing my new design;
FIG. 2 is a right side elevational view thereof;
FIG. 3 is a left side elevational view thereof;
FIG. 4 is a rear elevational view thereof;
FIG. 5 is a front elevational view thereof;
FIG. 6 is a top plan view thereof; and,
FIG. 7 is a bottom plan view thereof.

1 Claim, 3 Drawing Sheets



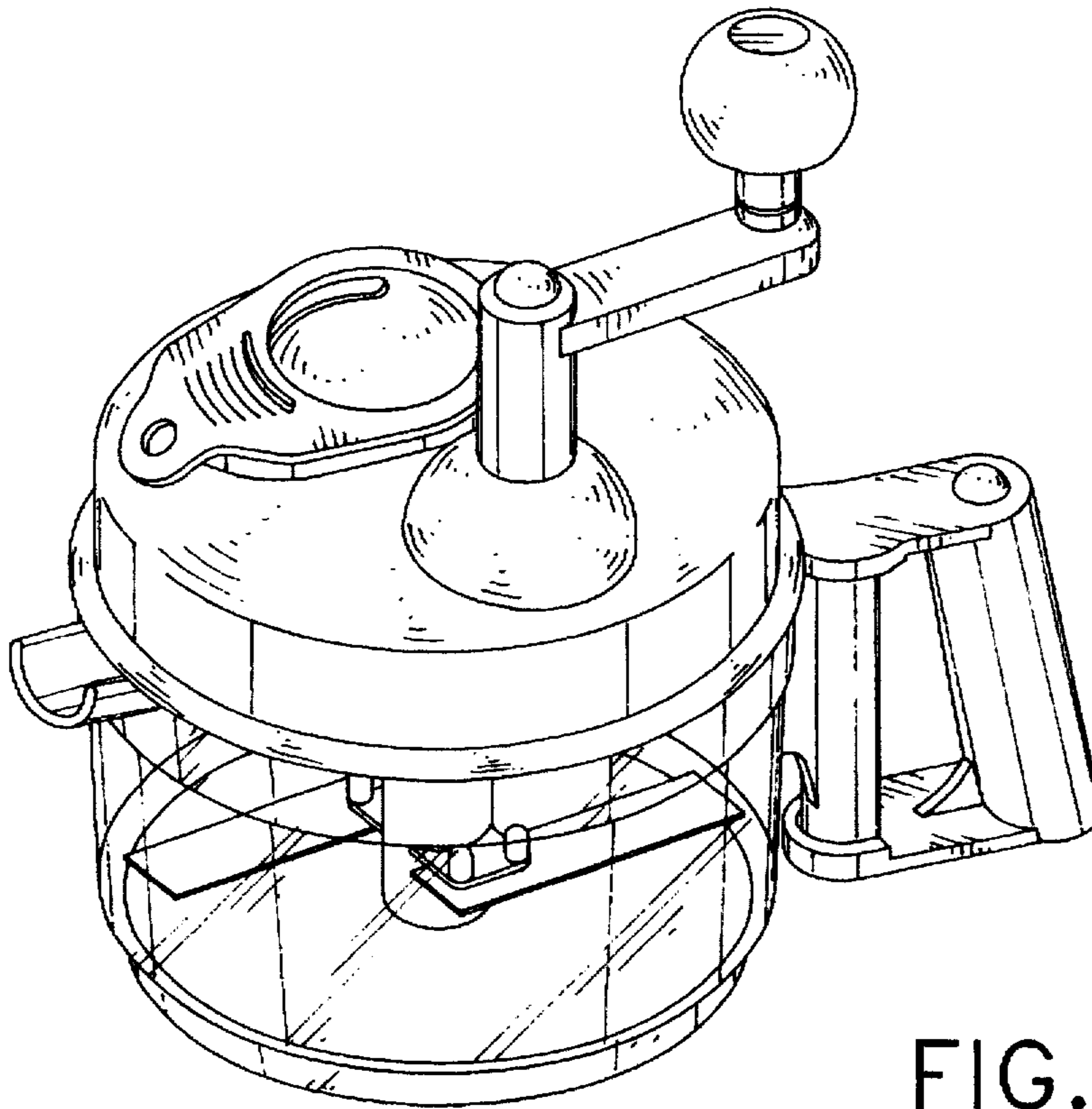


FIG. 1

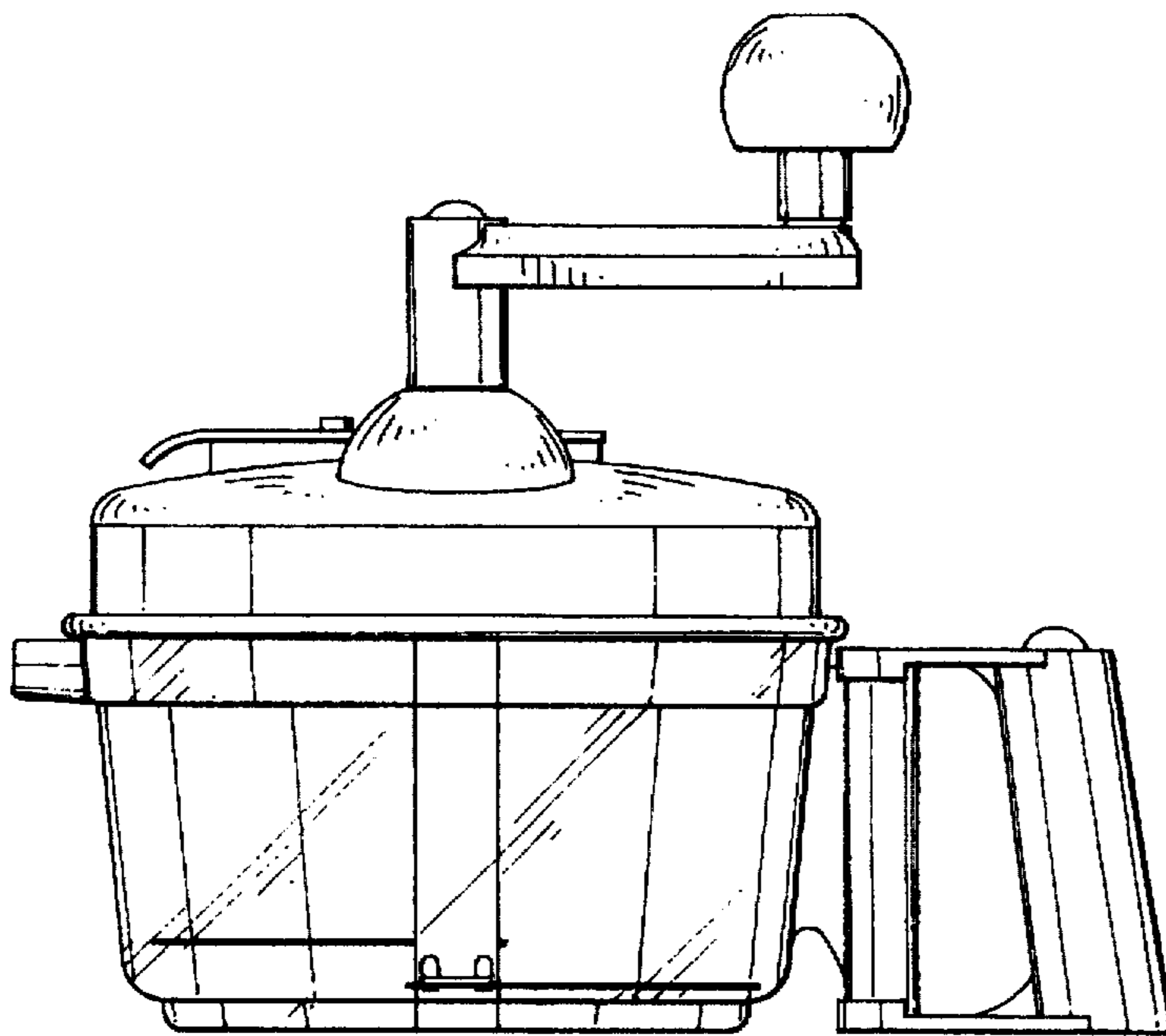


FIG. 2

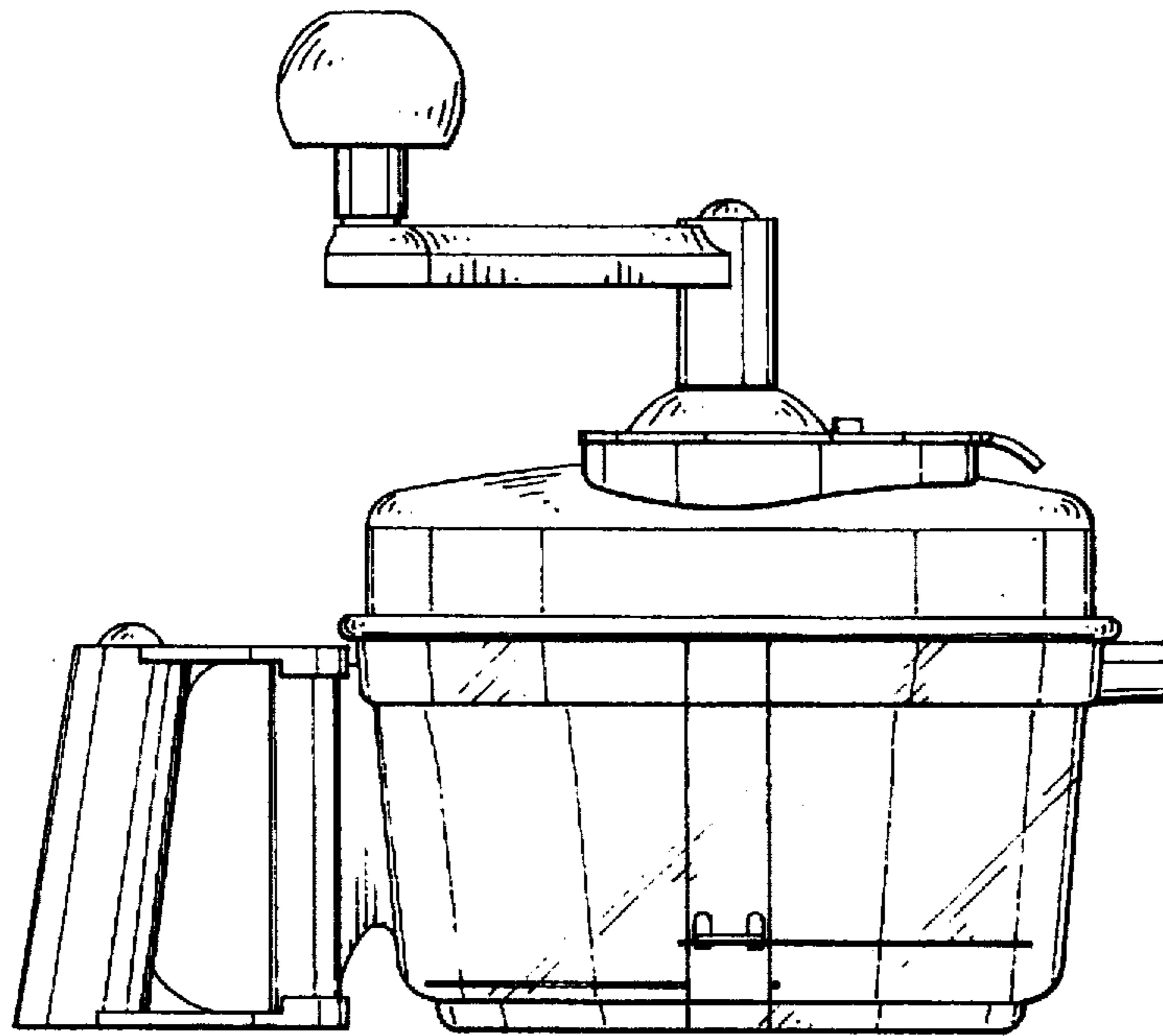


FIG. 3

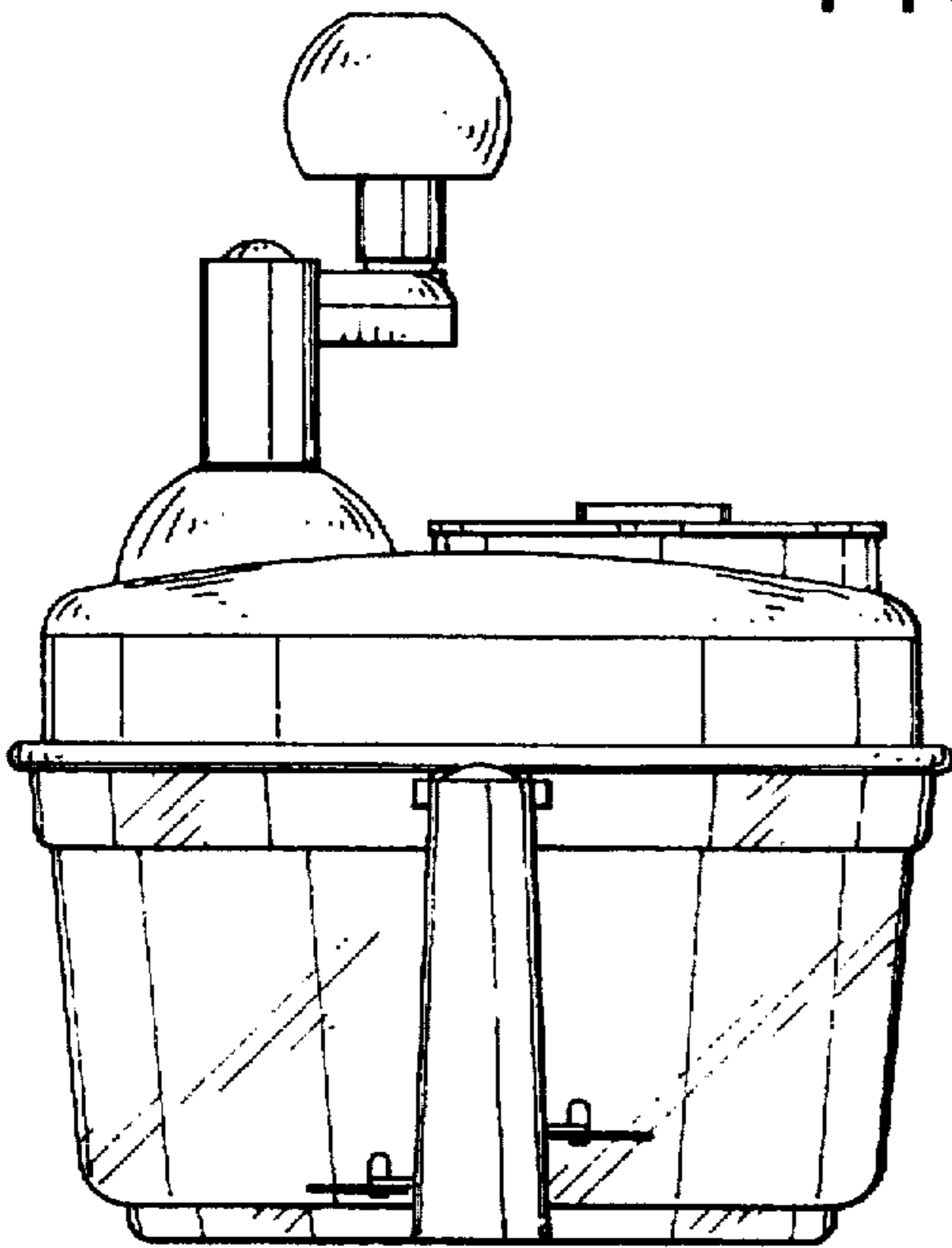


FIG. 4

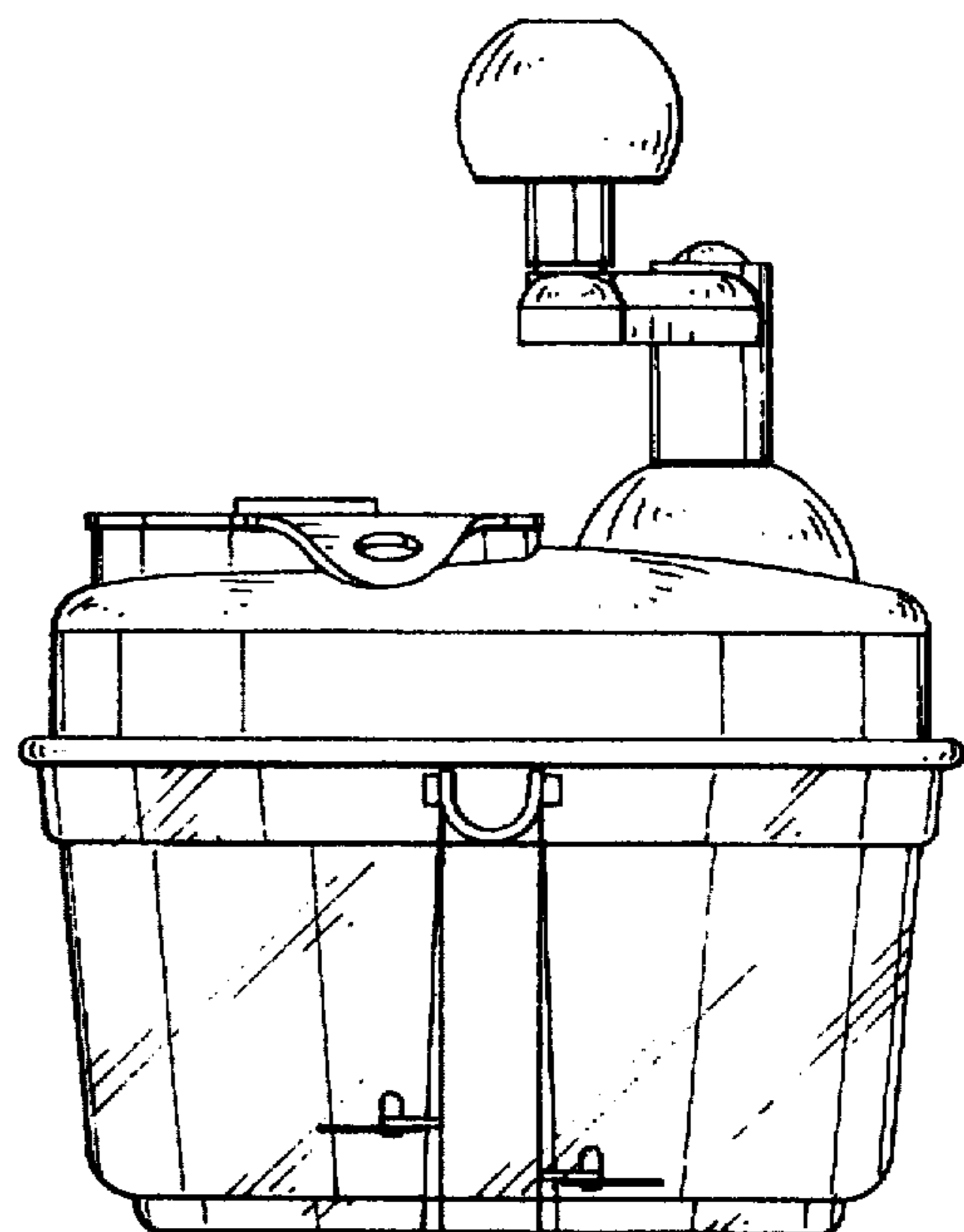


FIG. 5

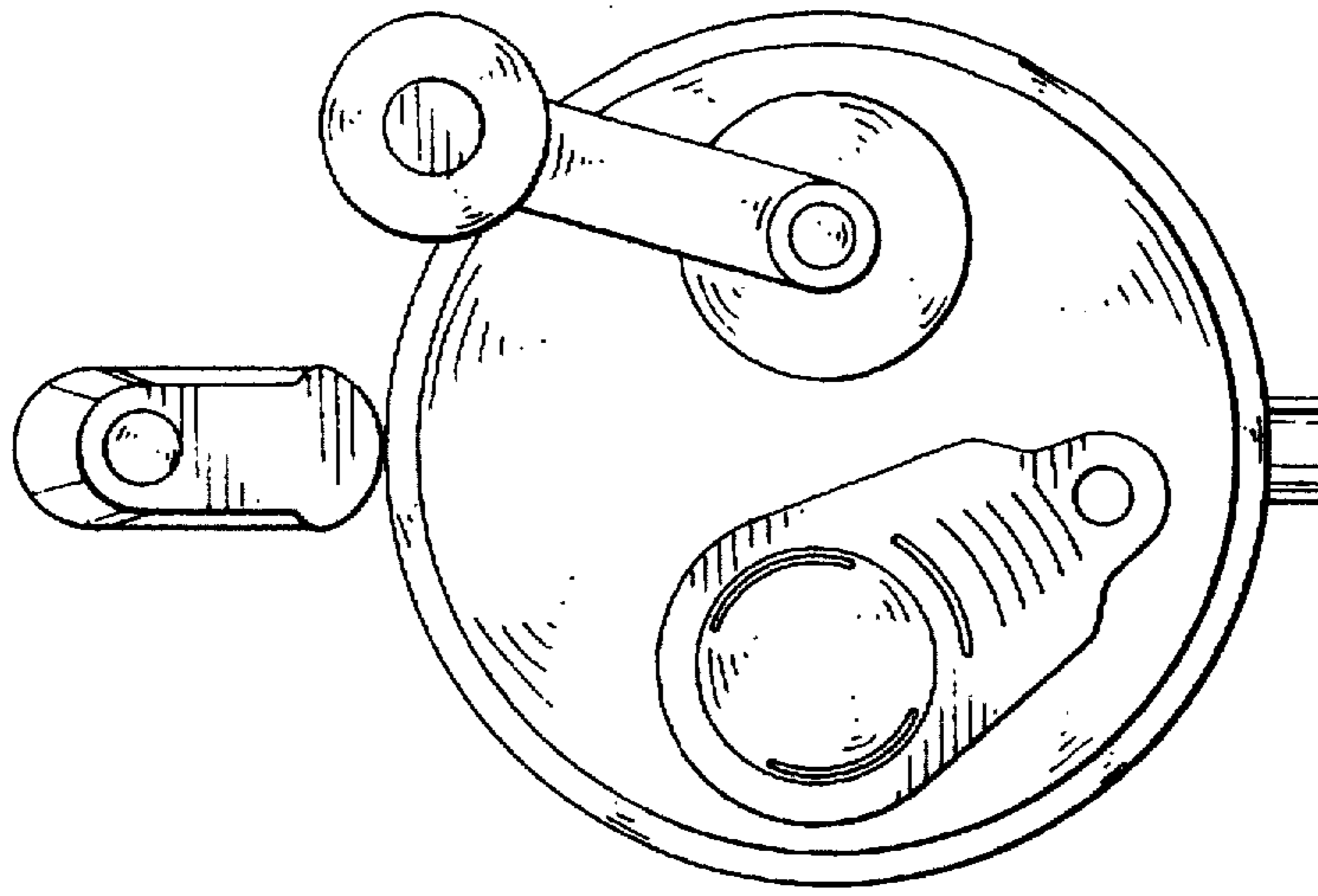


FIG. 6

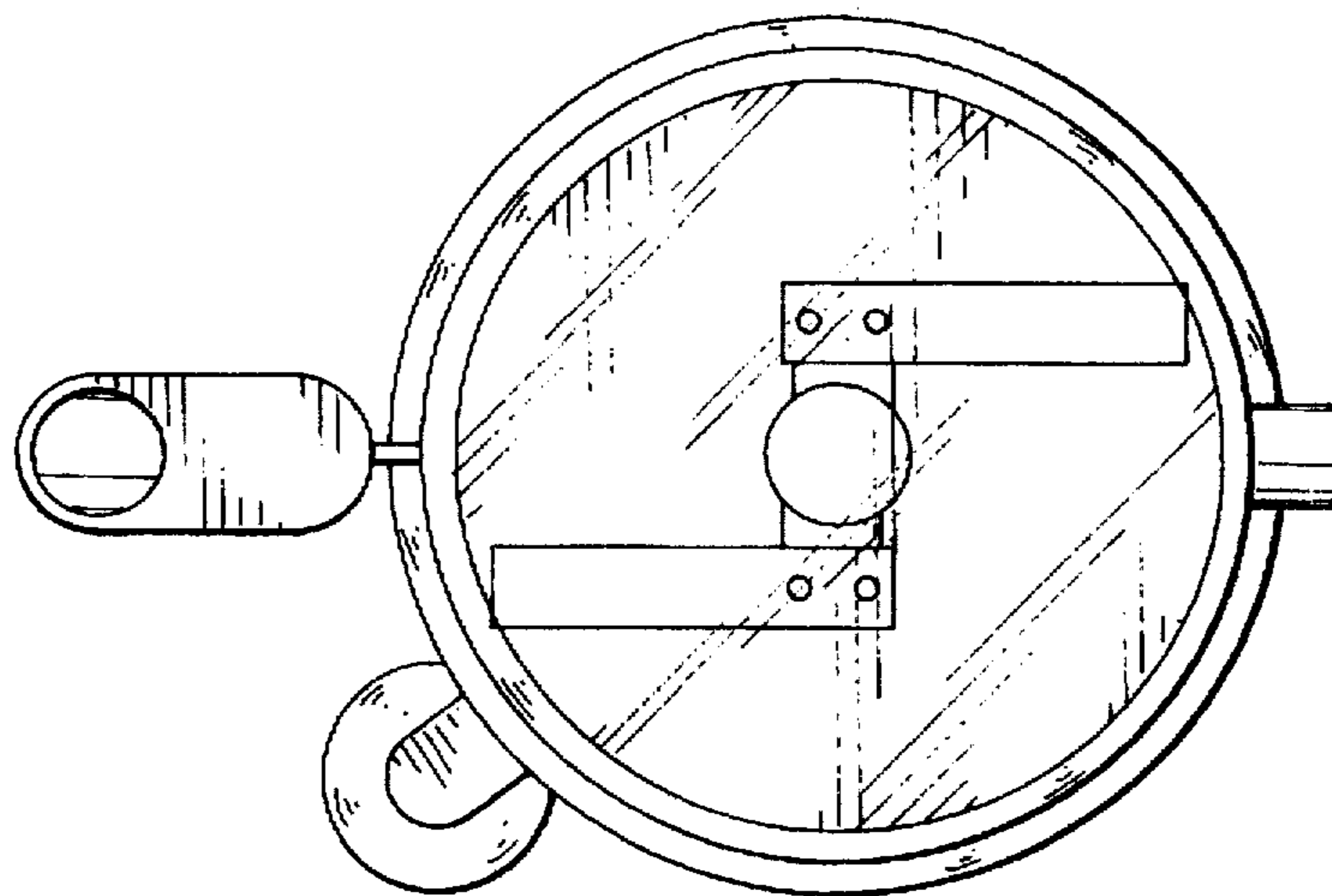


FIG. 7