



US00D395191S

United States Patent [19]
Chang

[11] **Patent Number: Des. 395,191**

[45] **Date of Patent: **Jun. 16, 1998**

[54] **COFFEE MAKER**

[76] **Inventor: Kwei-Tang Chang**, No. 14, Lane 54,
Luong Chuan St., Panchiao, Taipei
Hsien, Taiwan

[**] **Term: 14 Years**

[21] **Appl. No.: 64,290**

[22] **Filed: Dec. 26, 1996**

[51] **LOC (6) Cl. 07-01**

[52] **U.S. Cl. D7/309; D7/311**

[58] **Field of Search D7/305, 307, 311,
D7/392, 397, 306, 300, 309, 310, 507,
362, 363; 99/279**

[56] **References Cited**

U.S. PATENT DOCUMENTS

- D. 229,882 1/1974 Lloveras D7/362 X
- D. 249,863 10/1978 Fischer D7/363
- D. 330,276 10/1992 Mitchum, Jr. D7/362 X
- D. 356,712 3/1995 Brady D7/309

- D. 365,491 12/1995 Hui D7/311
- D. 367,201 2/1996 Joergensen D7/305
- D. 369,268 4/1996 Assmann et al. D7/310 X

Primary Examiner—M. N. Pandozzi
Attorney, Agent, or Firm—Morton J. Rosenberg; David I. Klein; Jun Y. Lee

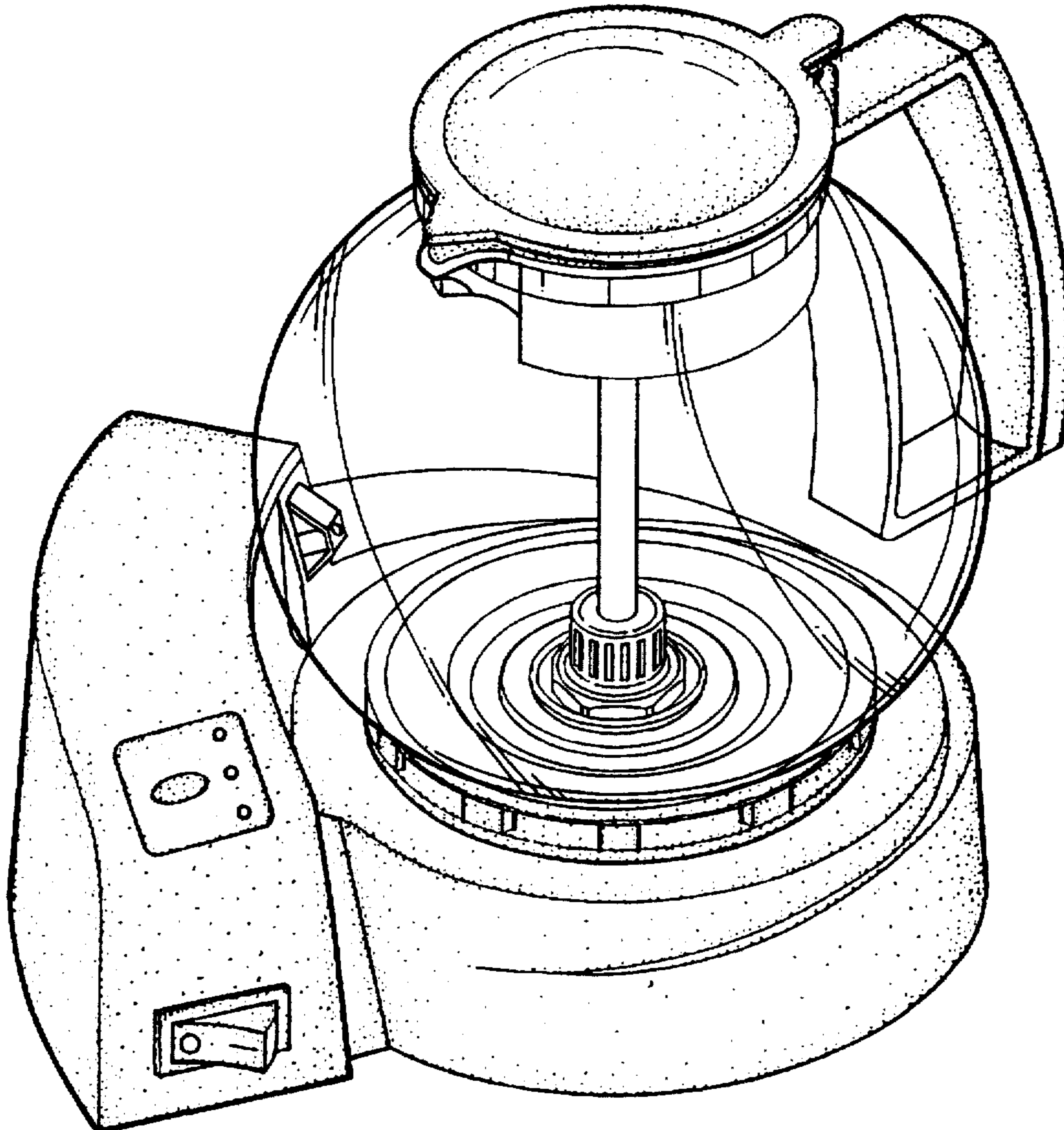
[57] **CLAIM**

The ornamental design for a “coffee maker”, as shown and described.

DESCRIPTION

FIG. 1 is a top perspective view of a coffee maker showing my new design;
FIG. 2 is a left side elevation view thereof;
FIG. 3 is a right side elevation view thereof;
FIG. 4 is a front elevation view thereof;
FIG. 5 is a rear elevation view thereof;
FIG. 6 is a top plan view thereof; and,
FIG. 7 is a bottom plan view thereof.

1 Claim, 7 Drawing Sheets



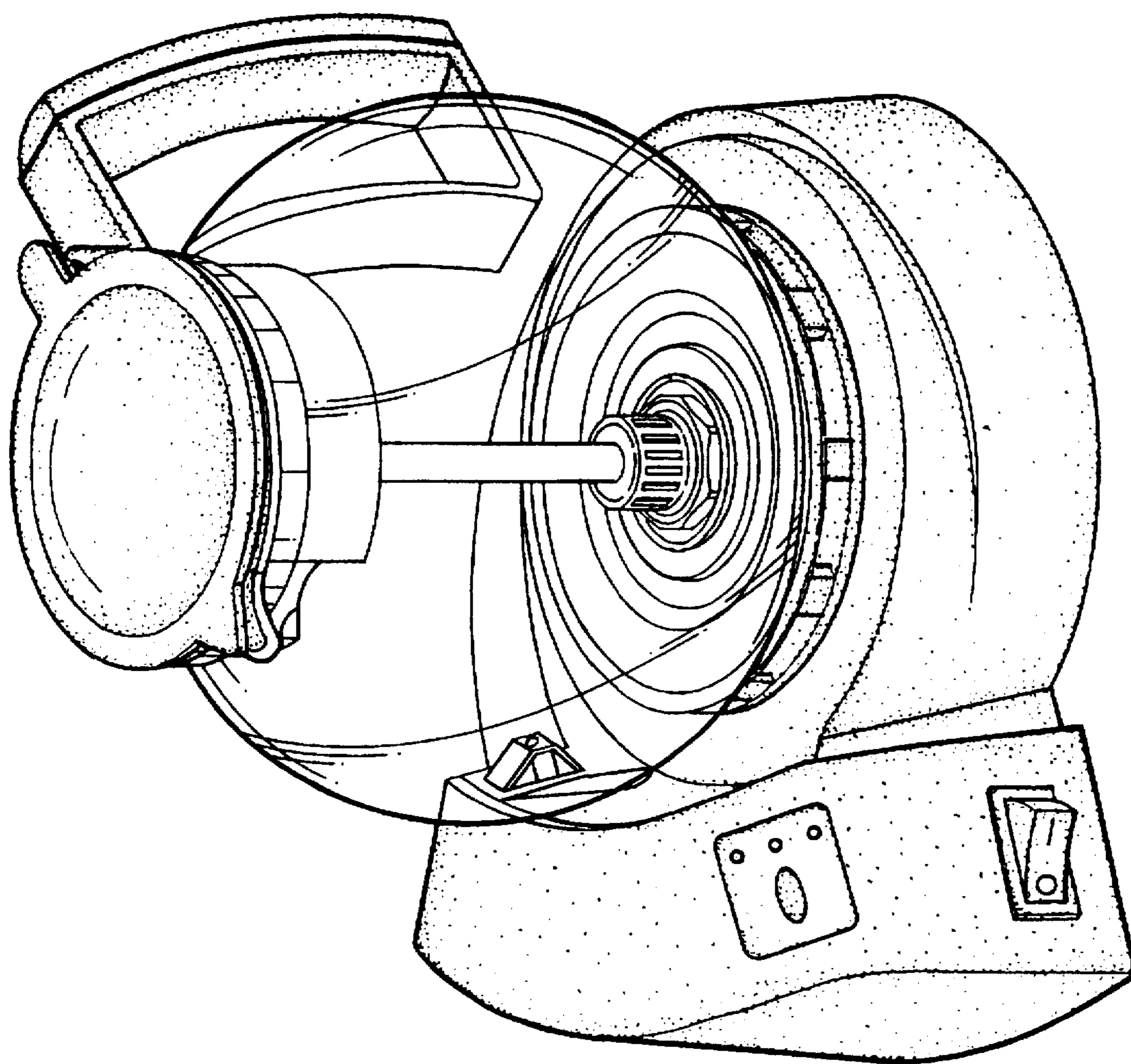


FIG. 1

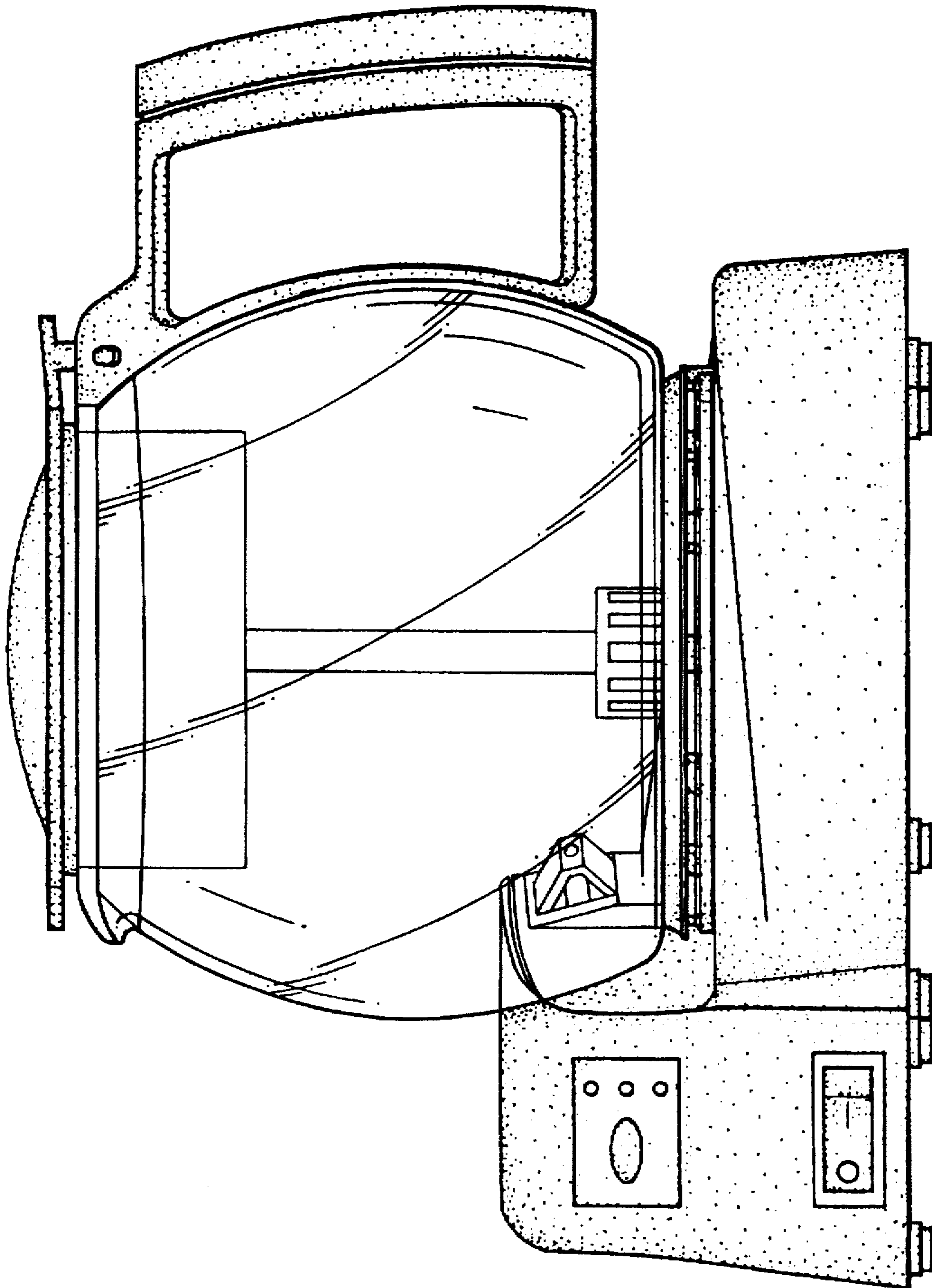


FIG. 2

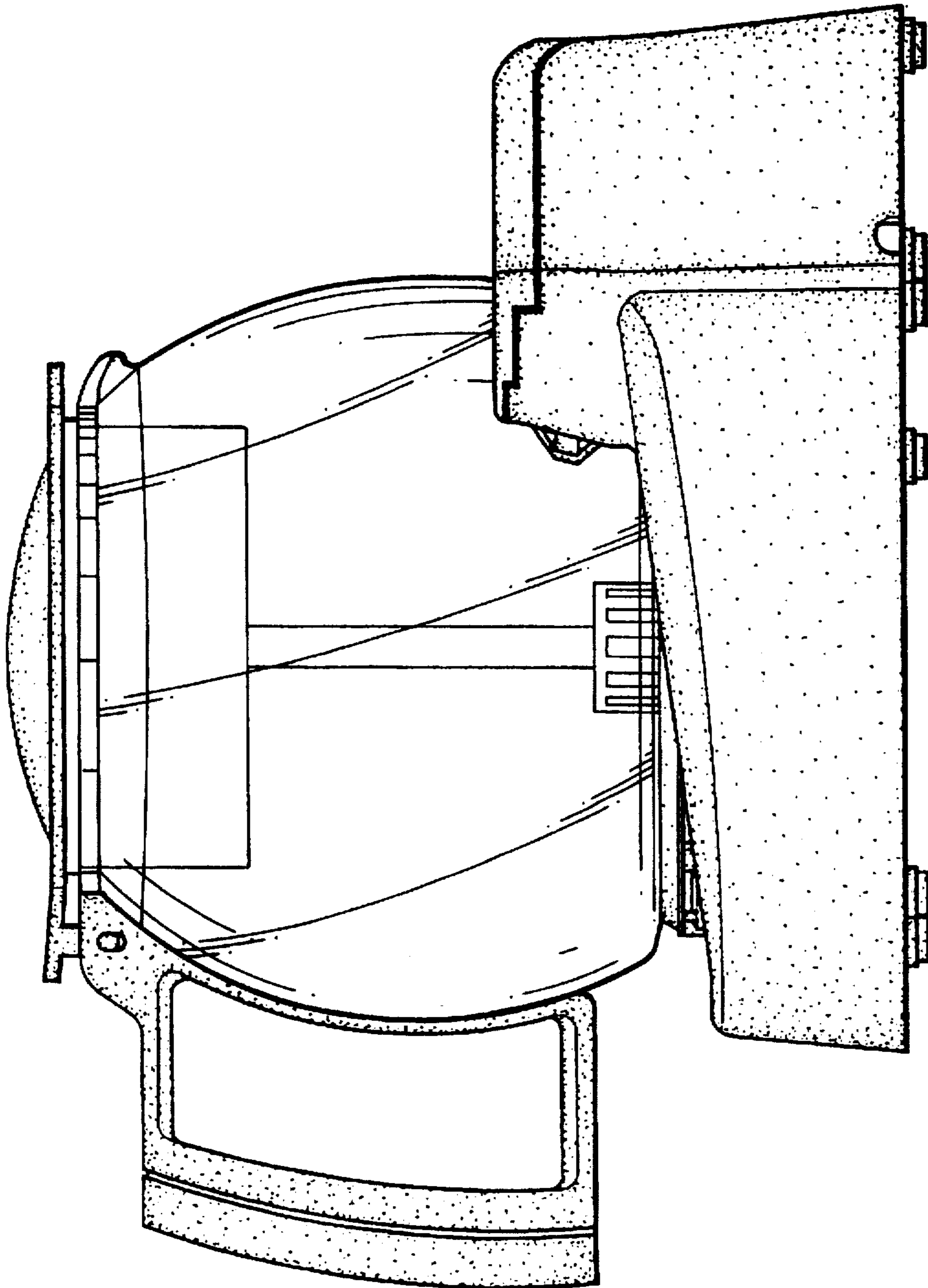


FIG. 3

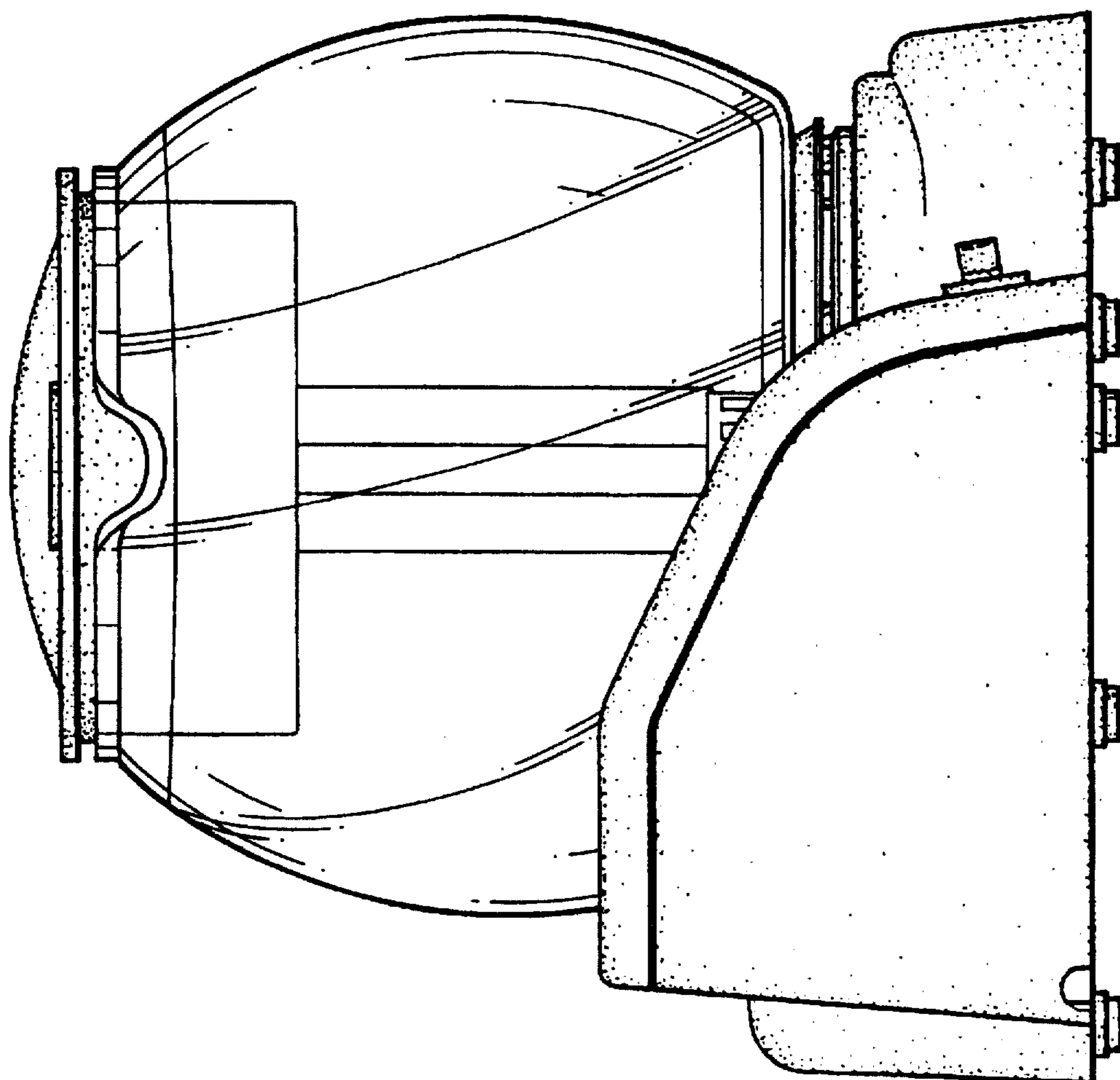


FIG. 4

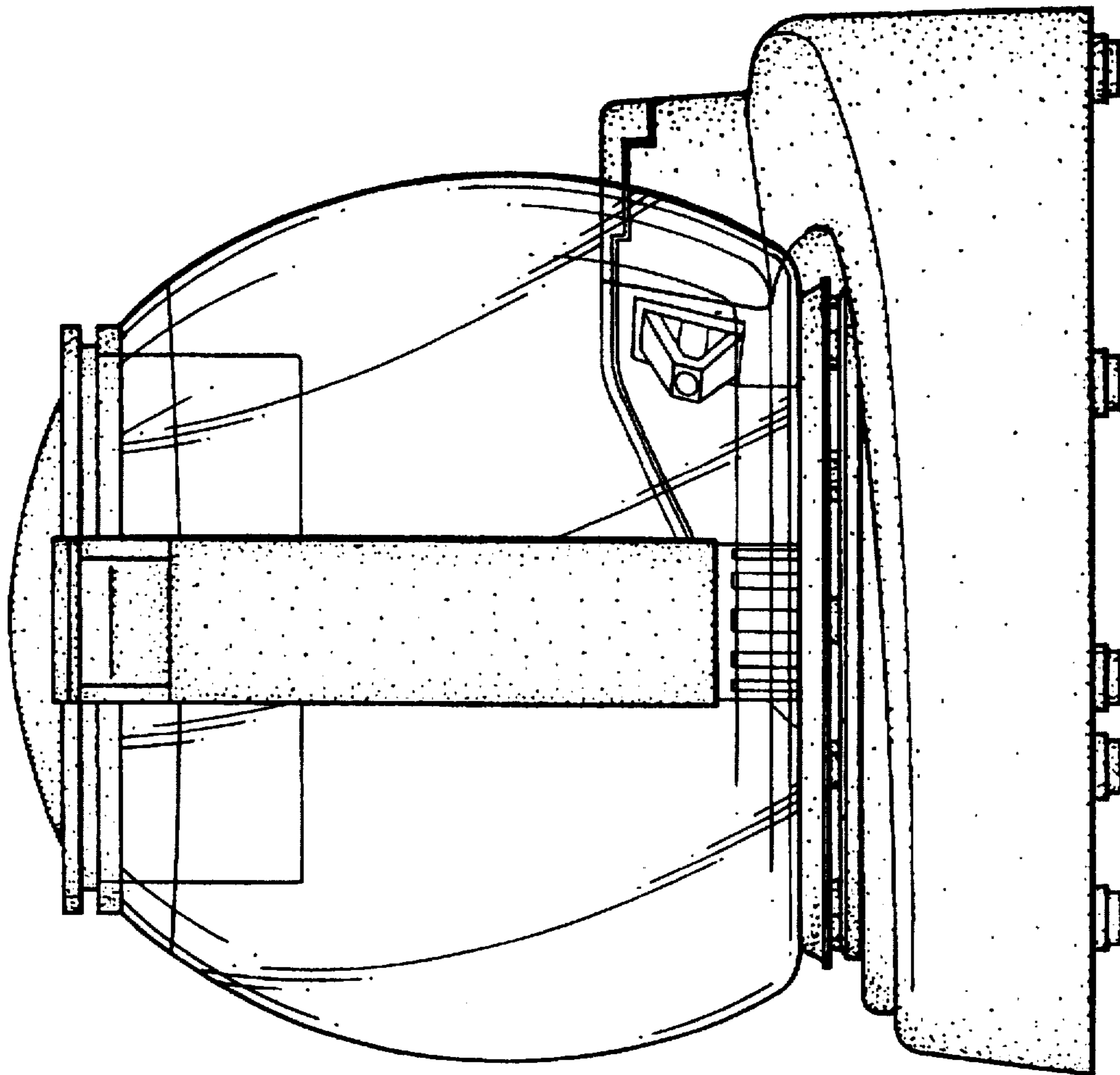


FIG. 5

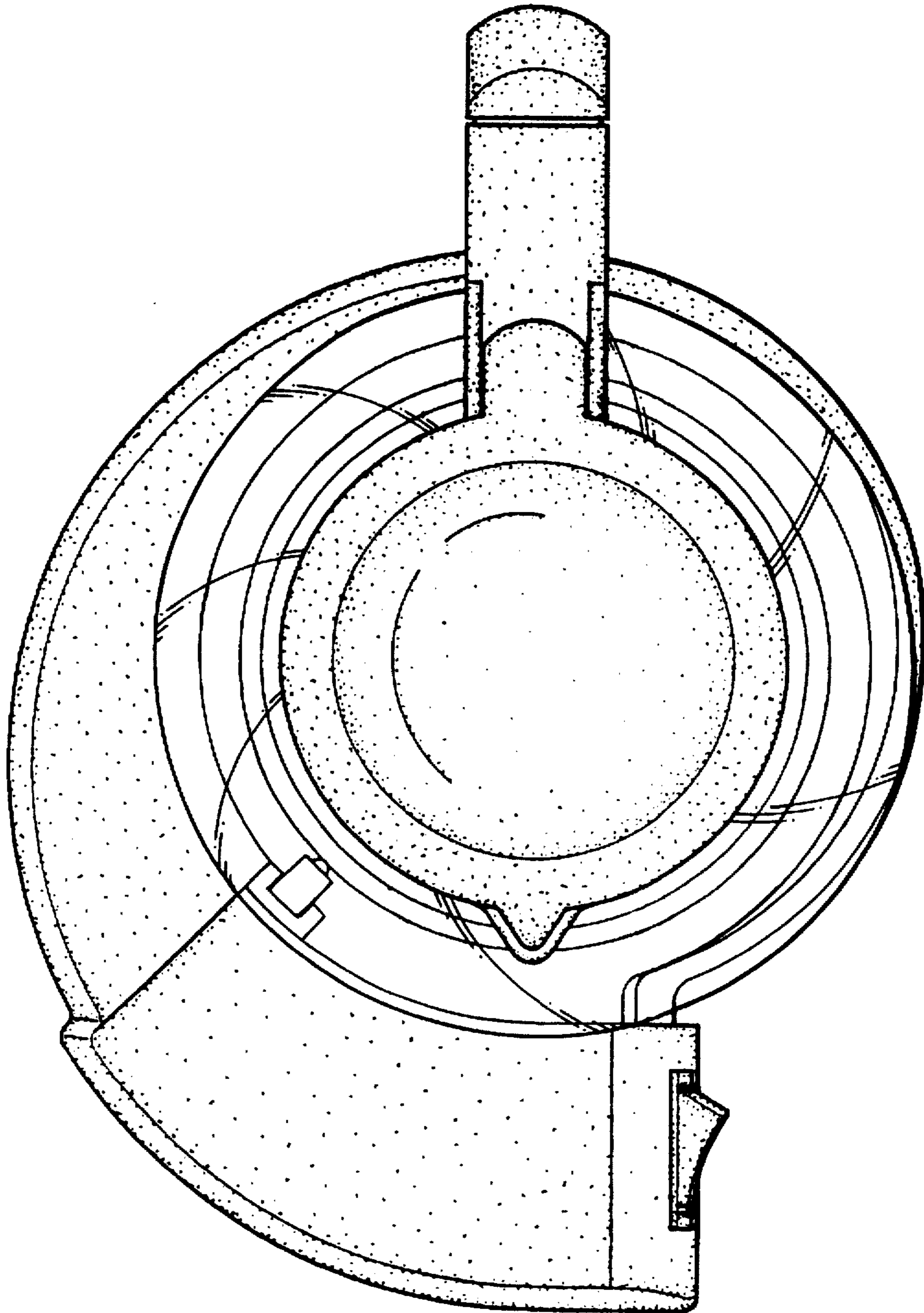


FIG. 6

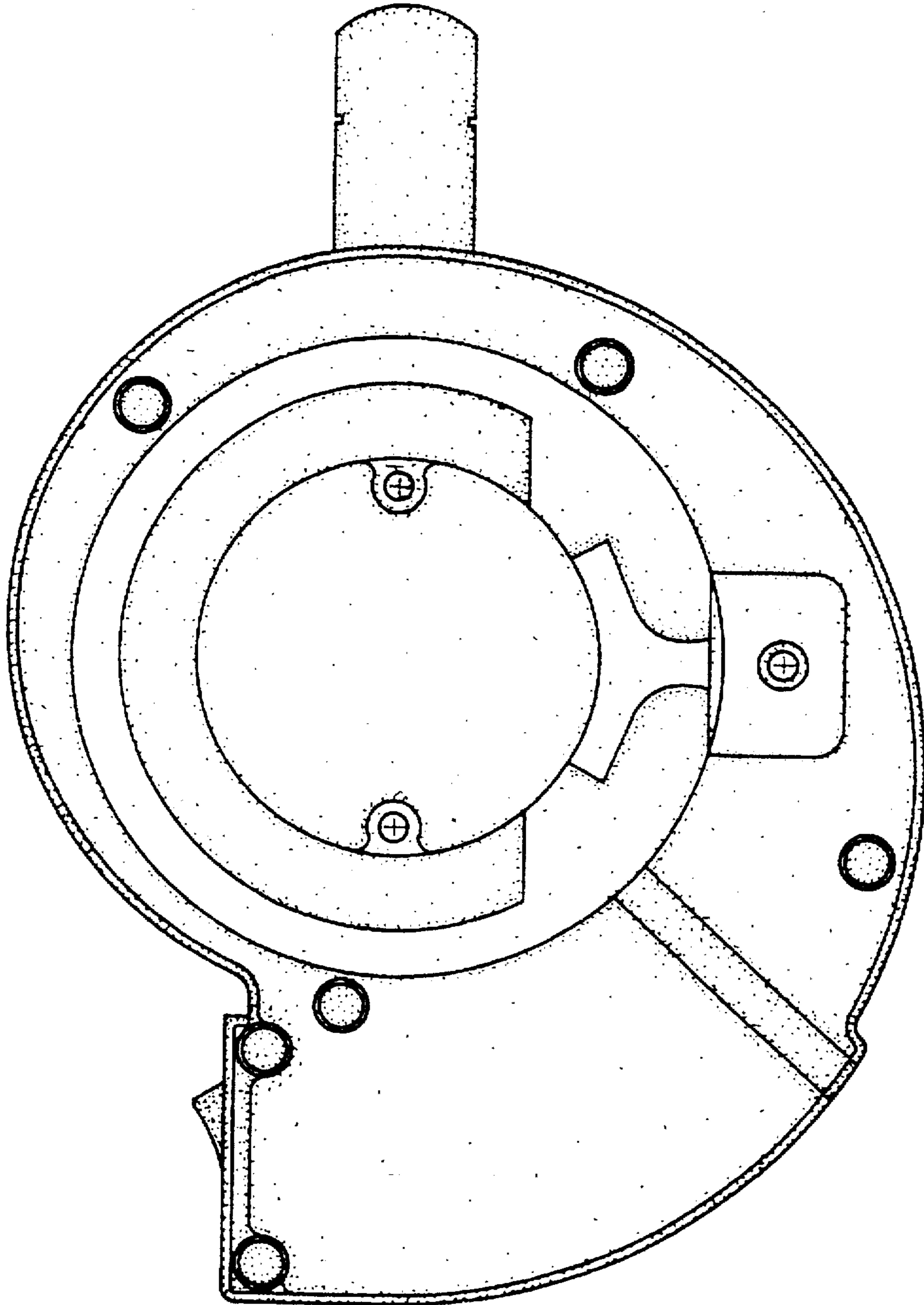


FIG. 7