



US00D395190S

United States Patent [19]

Roth et al.

[11] Patent Number: **Des. 395,190**

[45] Date of Patent: ****Jun. 16, 1998**

[54] **DIGITAL VIDEO DISK STORAGE PACKAGE**

[75] Inventors: **Richard Roth; William L. Plumb,**
both of New York, N.Y.

[73] Assignee: **Queens Group, Inc.,** Long Island City,
N.Y.

[**] Term: **14 Years**

[21] Appl. No.: **41,662**

[22] Filed: **Jul. 20, 1995**

4,874,085	10/1989	Grobecker et al.	206/308.1
5,101,971	4/1992	Grobecker et al.	206/232
5,168,991	12/1992	Whitehead et al.	206/45.15
5,188,230	2/1993	O'Brien et al.	206/308.1
5,205,405	4/1993	O'Brien et al.	206/308.2
5,219,417	6/1993	O'Brien et al.	206/308.1
5,244,085	9/1993	Lammerant et al.	206/308.1
5,253,751	10/1993	Wipper	206/45.19
5,284,242	2/1994	Roth et al.	206/310
5,377,825	1/1995	Sykes et al.	206/313 X
5,377,827	1/1995	Roth et al.	206/310
5,385,231	1/1995	Nowotny	206/309
5,433,319	7/1995	Tang	206/310 X

Related U.S. Application Data

[63] Continuation-in-part of Ser. No. 29,548, Oct. 11, 1994.

[51] **LOC (6) Cl. 06-04**

[52] **U.S. Cl. D6/634**

[58] **Field of Search D6/407, 626-635,**
D6/448, 468; D3/207, 218, 249; D19/26,
74-76; D9/424-425, 432; 206/307, 307.1-308.1,
308.3, 309-313, 316.1, 387.1, 408, 411,
425, 45.23; 312/9.1-9.2; 211/40-42

FOREIGN PATENT DOCUMENTS

0337181	3/1989	European Pat. Off. .
0344829	12/1989	European Pat. Off. .
0420350	4/1991	European Pat. Off. .
0515342	11/1992	European Pat. Off. .
0564155	10/1993	European Pat. Off. .
0576256	12/1993	European Pat. Off. .
2688483	3/1992	France .
4124135	8/1990	Germany .
2154550	9/1985	United Kingdom .
8607182	4/1986	WIPO .

[56] **References Cited**

U.S. PATENT DOCUMENTS

D. 260,122	8/1981	Turner	D6/634
D. 304,880	12/1989	Philosophe	D6/634
D. 332,048	12/1992	Pennell	D9/423
D. 335,215	5/1993	Stumpf	D6/634
D. 347,320	5/1994	Du Corday	D6/634
D. 347,727	6/1994	Du Corday	D6/634
D. 351,963	11/1994	Lim	D6/631
D. 352,199	11/1994	Stumpff et al.	D6/407
2,663,416	12/1953	Hirsch	206/310
3,415,407	12/1968	Alden et al.	220/4.23
4,176,744	12/1979	Borzak	206/303
4,327,831	5/1982	Inaba et al.	206/310
4,519,500	5/1985	Perchak	206/312
4,535,888	8/1985	Nusselder	206/311
4,627,531	12/1986	Clemens	206/312 X
4,643,301	2/1987	Hehn et al.	206/232
4,702,369	10/1987	Philosophe	206/312
4,709,812	12/1987	Kosterka	206/308.1
4,802,601	2/1989	Pijanowski et al.	220/4.01
4,867,302	9/1989	Takahashi	206/45.13

Primary Examiner—James Gandy

Assistant Examiner—Stacia Sinuik

Attorney, Agent, or Firm—Ostrolenk, Faber, Gerb & Soffen,
LLP

[57] **CLAIM**

The ornamental design for a digital video disk storage package, as shown and described.

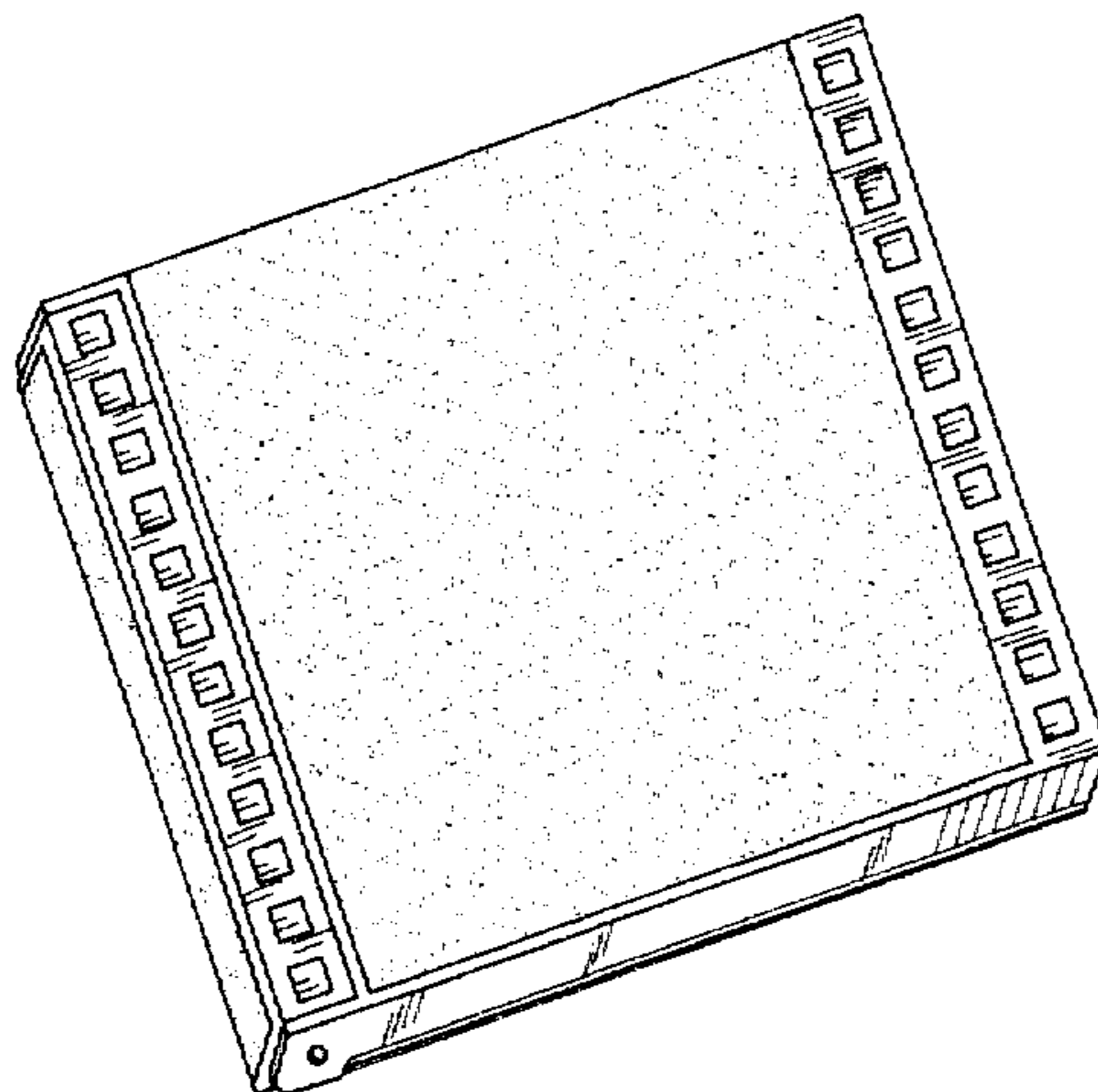
DESCRIPTION

FIG. 1 is a perspective view of a digital video disk storage package illustrating our new design;

FIG. 2 is a perspective open view of the lid and tray of the storage package of the claimed design;

FIG. 3 is an enlarged front plan view of the tray of the storage package of the claimed design, shown separately and with the cover omitted for ease of illustration; and,

FIG. 4 is an enlarged front plan view of the lid of the storage package of the claimed design, shown separately for ease of illustration.



The label indicated by the stippled surface in FIG. 1 has been removed in FIG. 4 for clarity of illustration. The exterior surface of the top edge of the tray of the package is the same as the bottom edge shown in FIG. 2. The exterior surface of the top edge of the lid is the same as the bottom edge shown in FIG. 2. The exterior surface of the outer ends of the tray and lid shown in FIG. 2 are flat and unornamented.

The broken lined letters in FIG. 1 are included only for the purpose of illustrating the environment of the design per se and form no part of the claimed design.

The bottom of the digital video disk storage package forms no part of the claimed design.

1 Claim, 4 Drawing Sheets

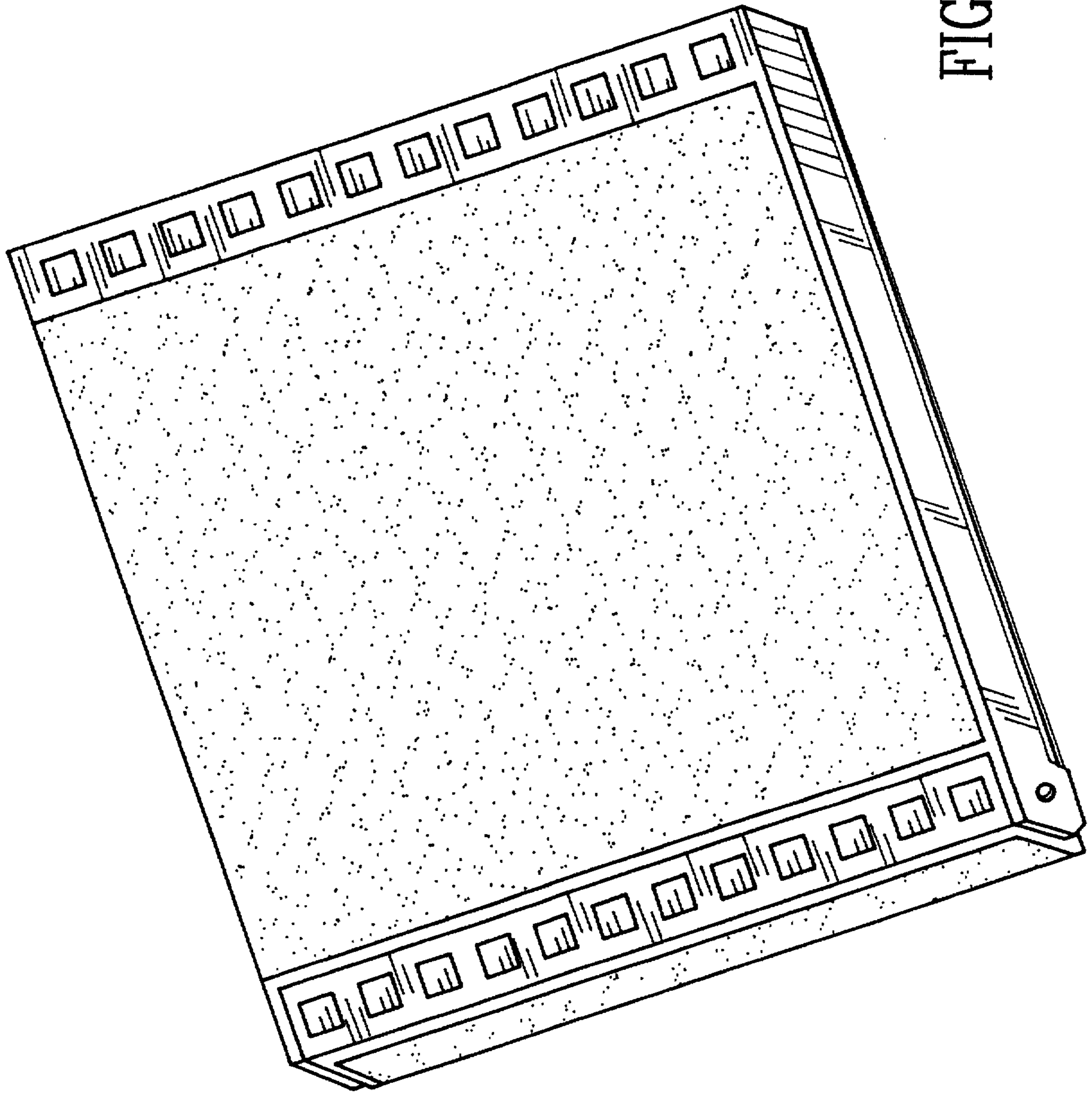


FIG. 1

FIG. 2

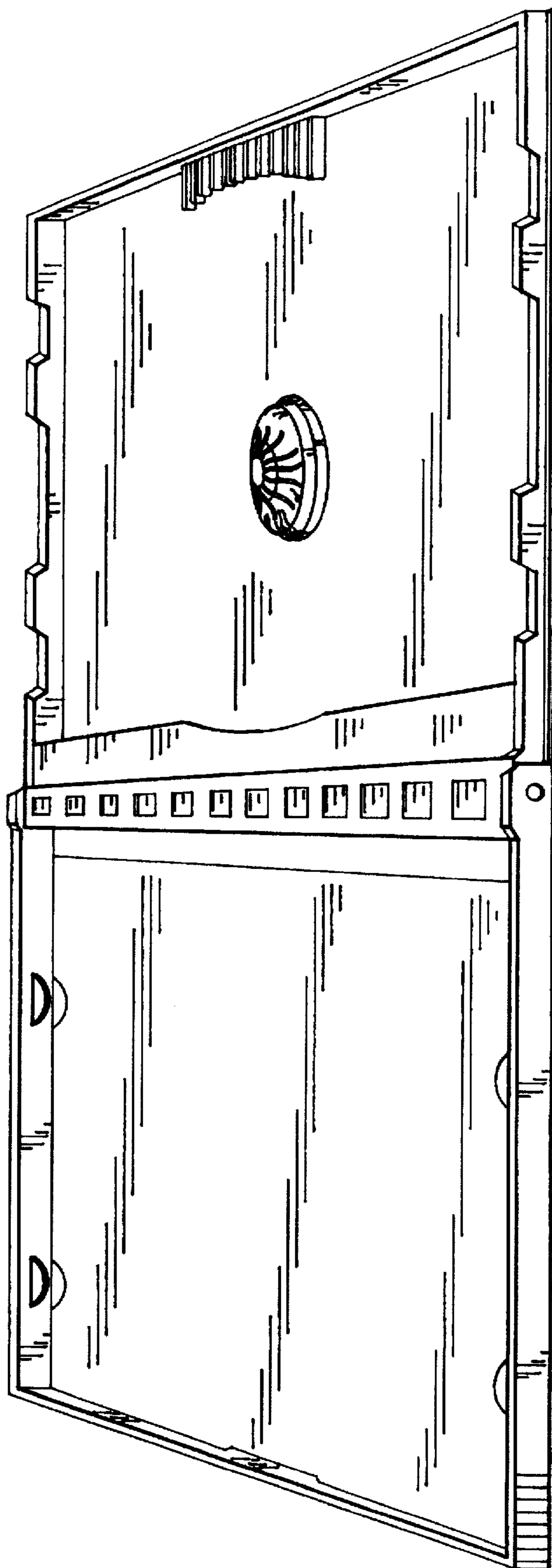


FIG. 3

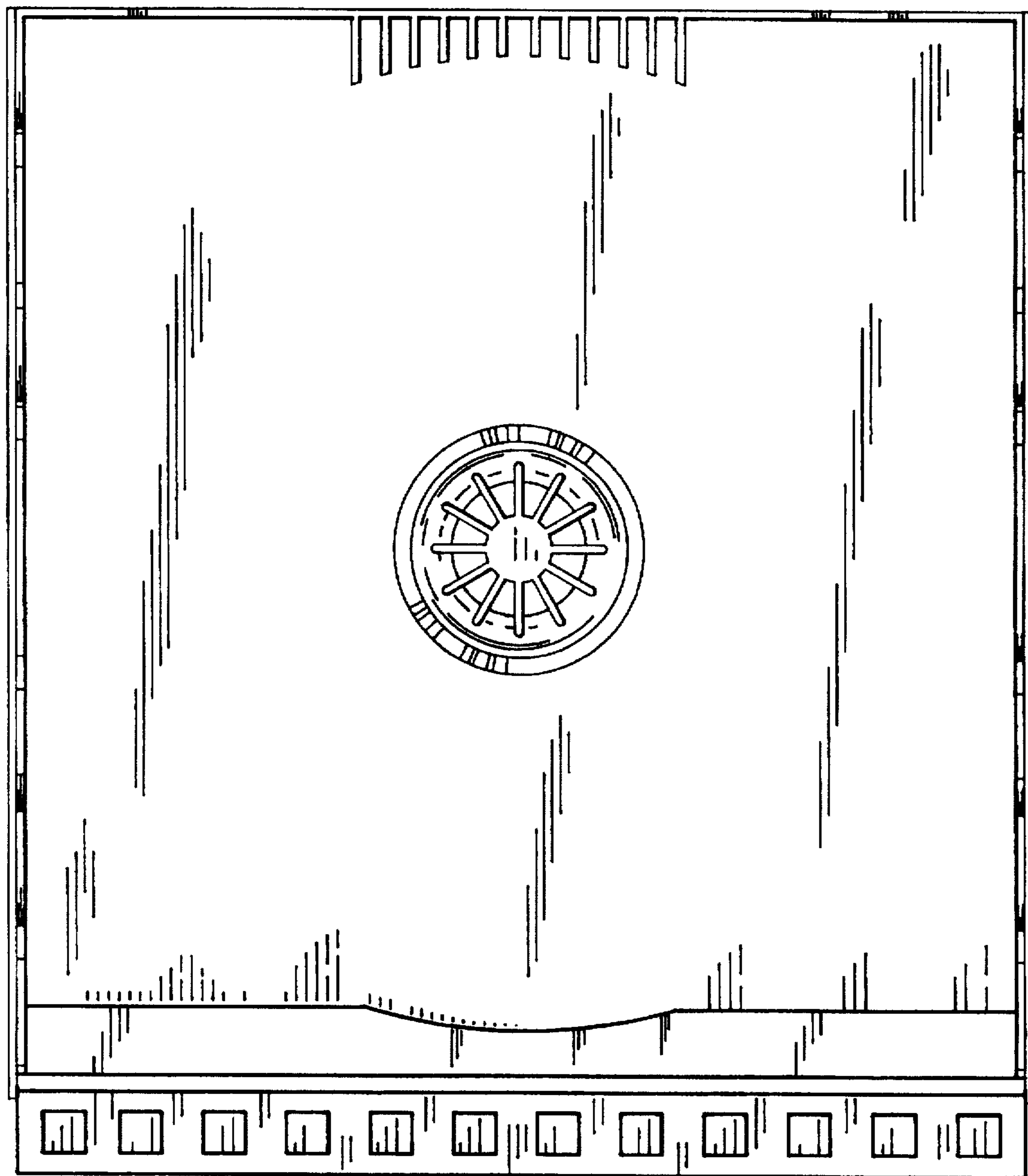


FIG. 4

