



US00D395189S

# United States Patent [19] Chow

[11] Patent Number: **Des. 395,189**

[45] Date of Patent: **\*\*Jun. 16, 1998**

[54] **CD RACK**

[75] Inventor: **Tat-Chi Chow, Kowloon, Hong Kong**

[73] Assignee: **Sunhing Millennium Limited, Hong Kong**

[\*\*] Term: **14 Years**

[21] Appl. No.: **67,664**

[22] Filed: **Mar. 6, 1997**

[51] LOC (6) CL ..... **06-04**

[52] U.S. Cl. .... **D6/630**

[58] Field of Search ..... D6/407, 626-635, D6/477-479, 466-468; D19/90, 92, 75, 86; 108/108, 180, 153; 211/133.1, 40, 41.1, 41.4, 41.12; D32/55-57, 58; 206/387.1, 387.15, 307.1, 308.3, 308.1, 313, 425; 312/9.1-9.64

[56] **References Cited**

**U.S. PATENT DOCUMENTS**

D. 287,981	1/1987	Mcally	.....	D6/474
D. 295,705	5/1988	Cornelius	.....	D6/479
D. 319,741	9/1991	Sylvester	.....	D6/407
D. 342,395	12/1993	Huang	.....	D6/407
D. 351,512	10/1994	Thielen	.....	D6/407
D. 353,958	1/1995	Hirsch	.....	D6/468 X
D. 371,259	7/1996	Herbst	.....	D6/479
D. 374,359	10/1996	Liu	.....	D6/479

D. 381,548	7/1997	Goodman	.....	D6/630
4,236,768	12/1980	Morrone	.....	211/40
5,195,642	3/1993	Dardashti	.....	211/40 X
5,370,242	12/1994	Huang	.....	211/40
5,393,226	2/1995	Groom	.....	211/41.2
5,642,815	7/1997	Mundorf et al.	.....	211/40

**OTHER PUBLICATIONS**

Page titled "Reliable Home Office", p. 104, curving metal CD rack, Dec. 1995.

*Primary Examiner*—Jeffrey Asch  
*Attorney, Agent, or Firm*—Burns, Doane, Swecker & Mathis, L.L.P.

[57] **CLAIM**

The ornamental design for a "CD rack", as shown and described.

**DESCRIPTION**

FIG. 1 is a front view of "a CD rack" showing my new design;  
FIG. 2 is a rear view thereof;  
FIG. 3 is a left side elevational view thereof;  
FIG. 4 is a right side elevational view thereof;  
FIG. 5 is a top plan view thereof;  
FIG. 6 is a bottom plan view thereof; and,  
FIG. 7 is a perspective view from front, above and right side thereof.

**1 Claim, 6 Drawing Sheets**

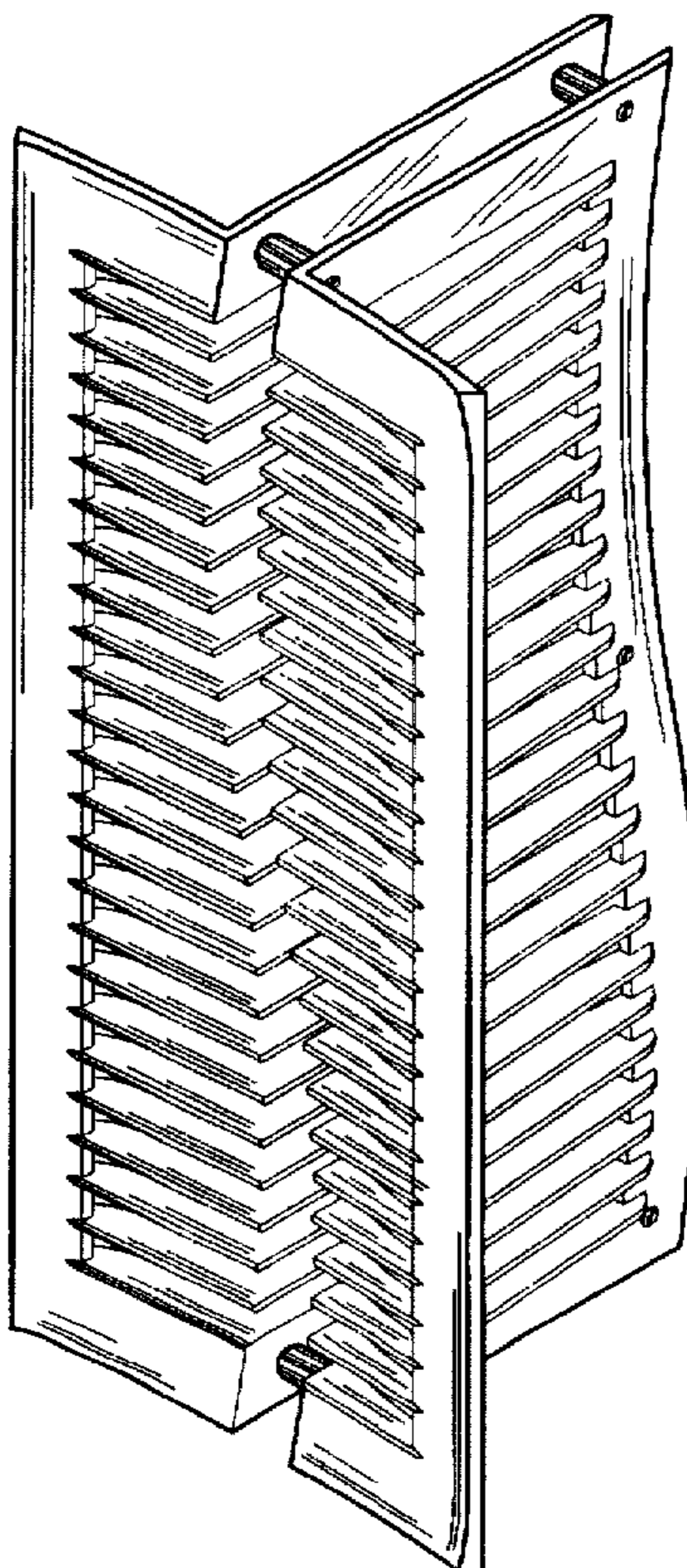


FIG. 1

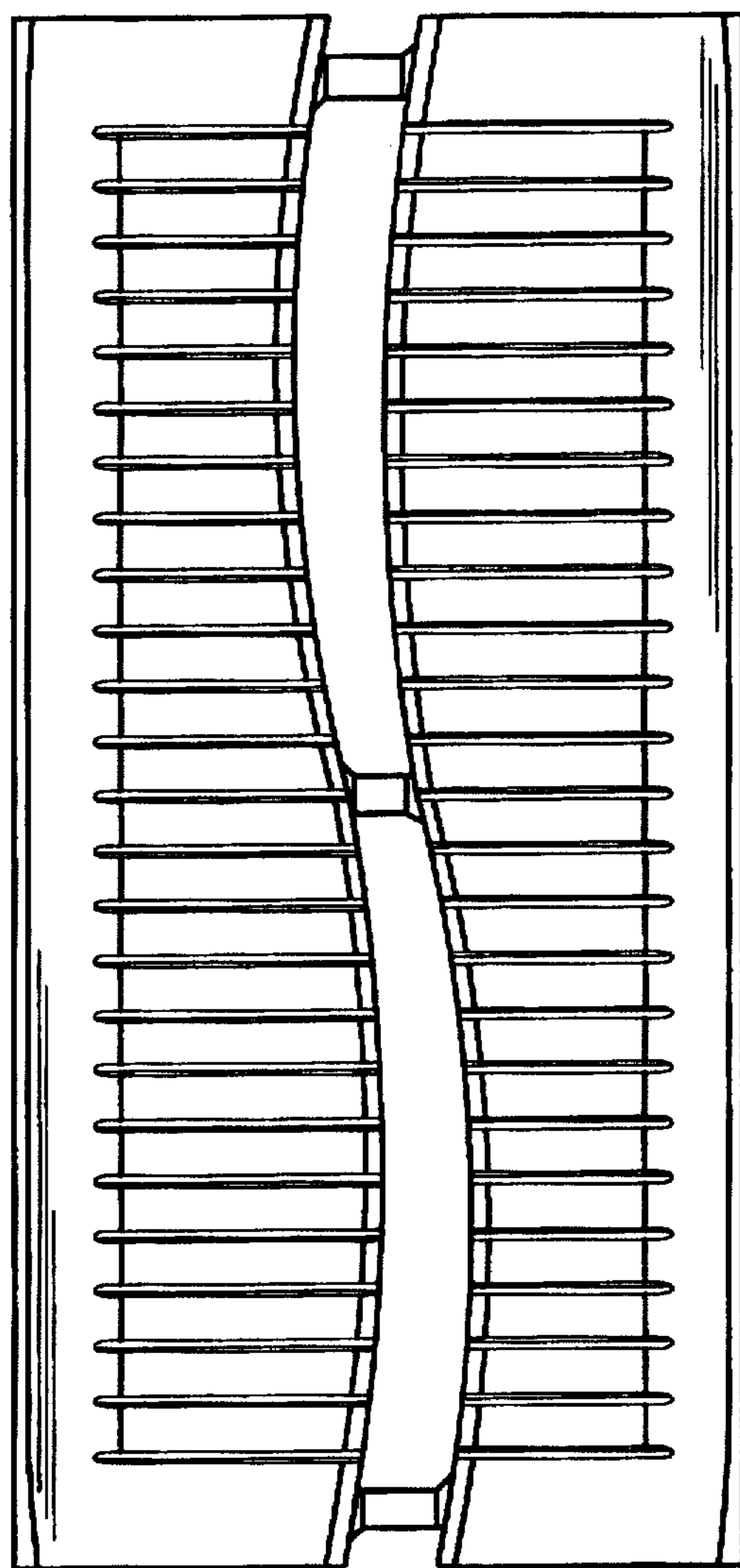


FIG. 2

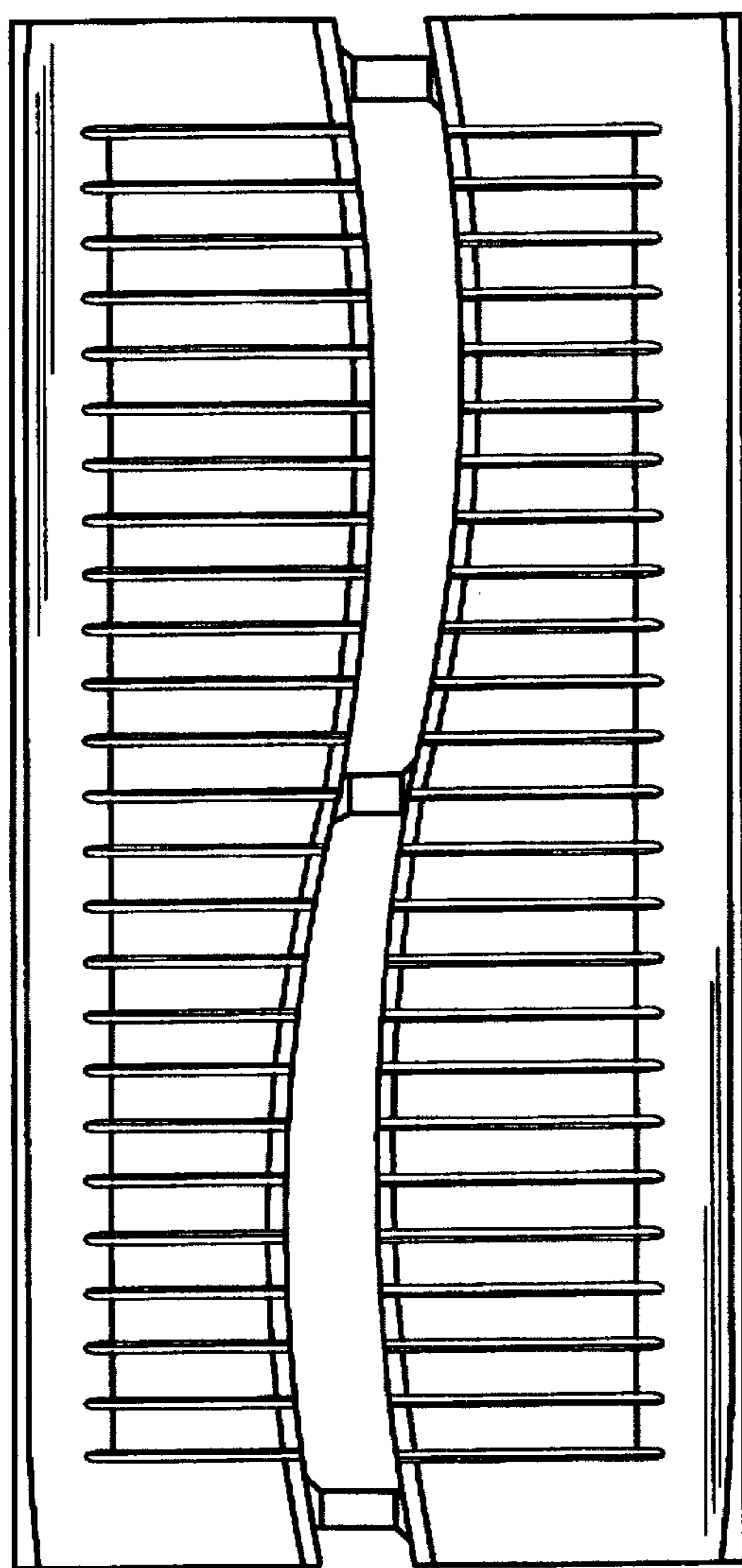


FIG. 3

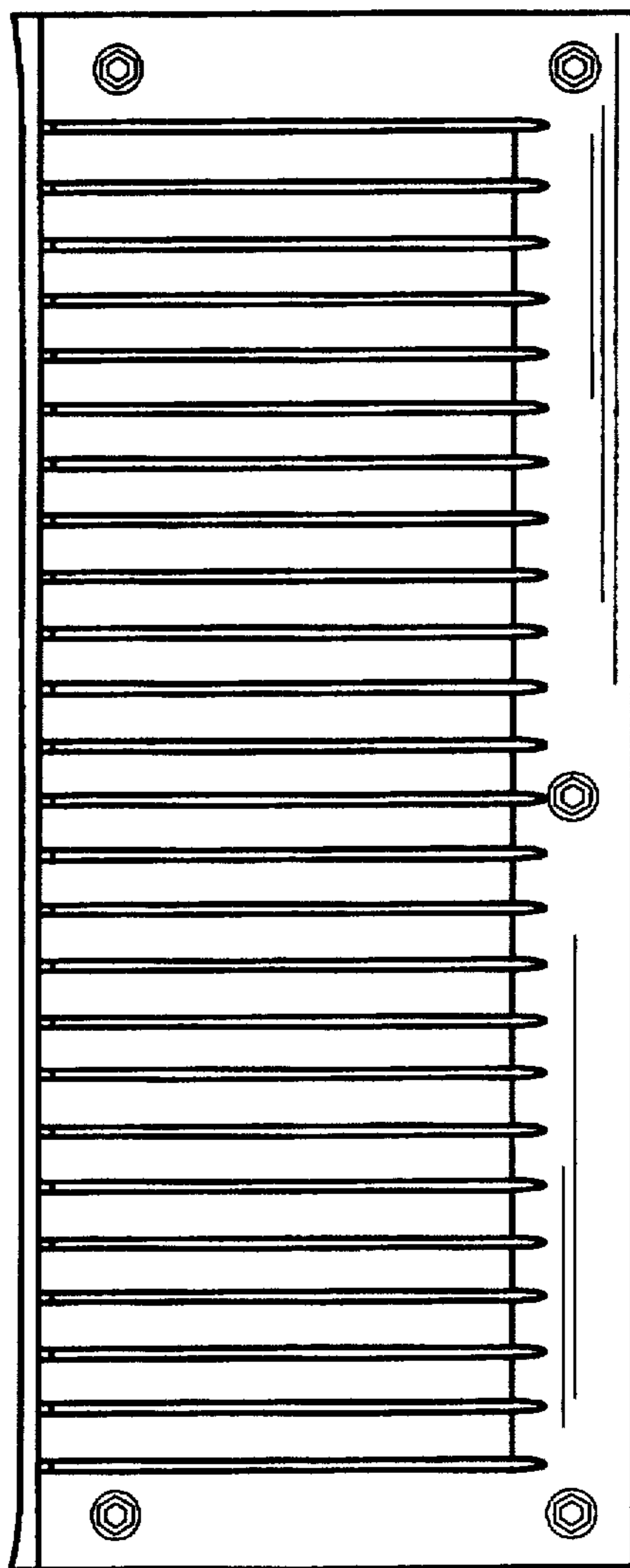


FIG. 4

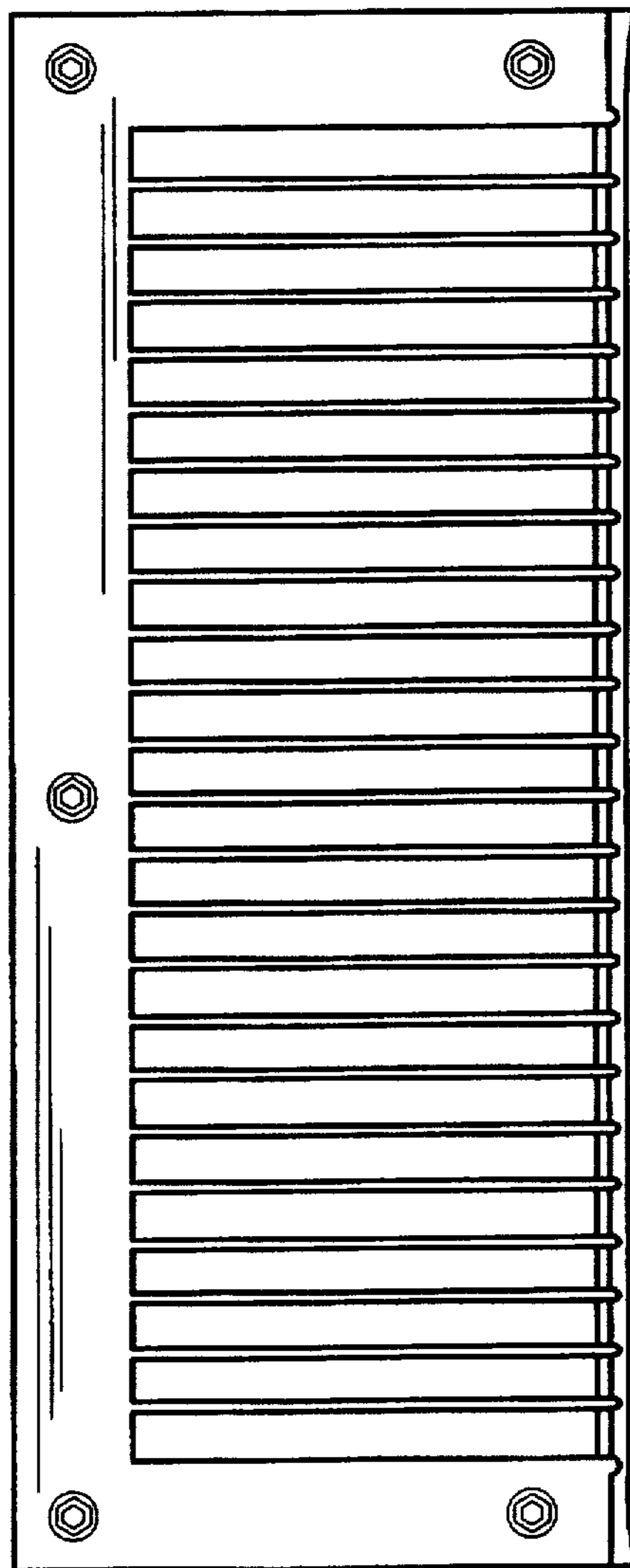


FIG. 5

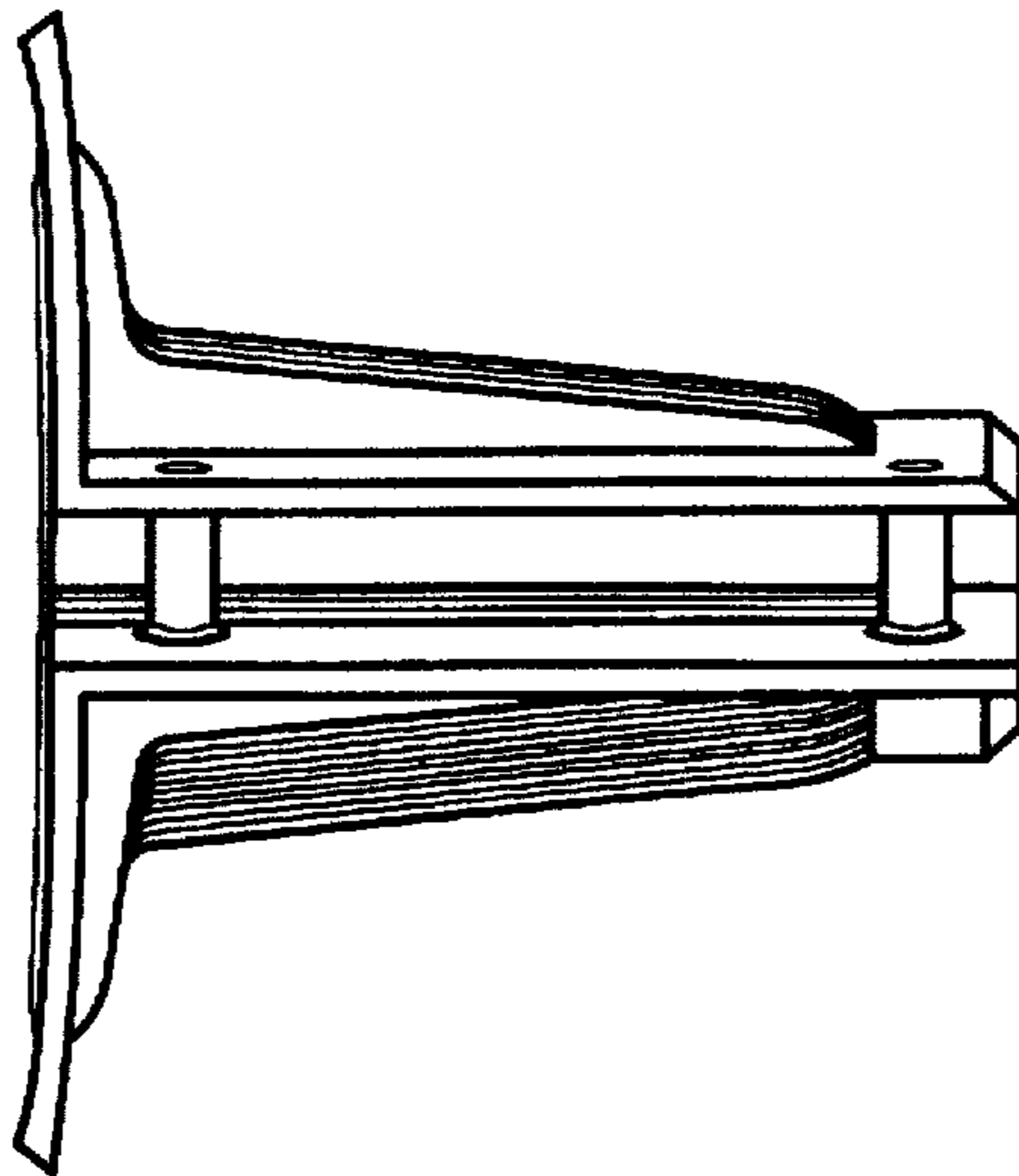


FIG. 6

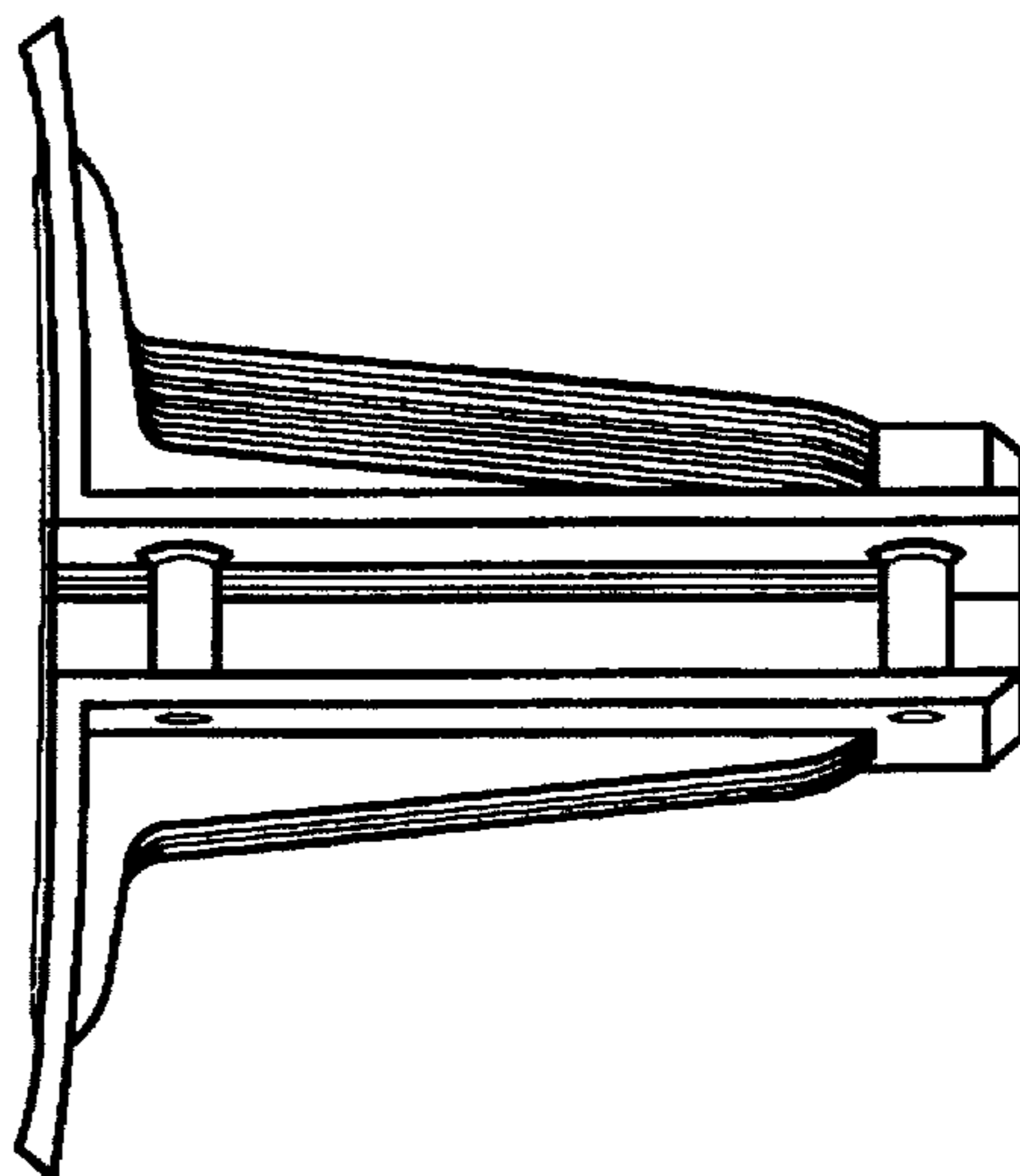




FIG. 7

