



US00D395185S

United States Patent [19]

[11] Patent Number: **Des. 395,185**

Neufeld et al.

[45] Date of Patent: ****Jun. 16, 1998**

[54] SELF-RETRACTING WALL-MOUNTED DESK AND CHART HOLDER

DESCRIPTION

[75] Inventors: **Vida Jo Neufeld**, Dallas, Tex.; **Bill J. Hawks, Jr.**, Wichita, Kans.

FIG. 1 is a perspective view of the self-retracting, wall-mounted desk and chart holder, illustrating the desktop in the vertically closed position;

[73] Assignee: **Via Christi Research Inc.**, Wichita, Kans.

FIG. 2 is a front elevational view of the self-retracting, wall-mounted desk and chart holder, illustrating the desktop in the vertically closed position;

[**] Term: **14 Years**

FIG. 3 is a right side elevational view of the self-retracting, wall-mounted desk and chart holder, illustrating the desktop in the vertically closed position;

[21] Appl. No.: **50,070**

FIG. 4 is a top view of the self-retracting, wall-mounted desk and chart holder, illustrating the desktop in the vertically closed position;

[22] Filed: **Feb. 8, 1996**

FIG. 5 is a rear elevational view of the self-retracting, wall-mounted desk and chart holder, illustrating the desktop in the vertically closed position;

[51] LOC (6) Cl. **06-04**

[52] U.S. Cl. **D6/555**

[58] Field of Search D6/555, 567, 570, D6/571, 512, 515, 553; 211/13, 50, 59, 59.2, 88; 221/22, 33, 45, 92, 282-283

FIG. 6 is a left side elevational view of the self-retracting, wall-mounted desk and chart holder, illustrating the desktop in the vertically closed position;

[56] References Cited

U.S. PATENT DOCUMENTS

D. 167,458	8/1952	Gulotta	D6/570
D. 325,313	4/1992	Evenson	D6/567 X
D. 354,646	1/1995	Weinstein	D6/567
D. 365,714	1/1996	Masello	D6/526
965,019	7/1910	Schandern et al.	211/55 X

FIG. 7 is a bottom view of the self-retracting, wall-mounted desk and chart holder, illustrating the desktop in the vertically closed position;

OTHER PUBLICATIONS

Wend-Wood, Inc.—Catalog, Front conversheet and p. 14-1, publication date circa 1992.

Carstens Health Industries, Inc.—1994 General Catalog (#CHI-94), front and back coversheets and page showing the Wallaroo and Wallaroo Jr. Work Stations.

FIG. 8 is a perspective view of the self-retracting, wall-mounted desk and chart holder, illustrating the desktop in the horizontally open-use position;

FIG. 9 is a top view of the self-retracting, wall-mounted desk and chart holder, illustrating the desktop in the horizontally open-use position;

Primary Examiner—Pamela J. Burgess

Attorney, Agent, or Firm—Hovey, Williams, Timmons & Collins

FIG. 10 is a front elevational view of the self-retracting, wall-mounted desk and chart holder, illustrating the desktop in the horizontally open-use position;

FIG. 11 is a bottom view of the self-retracting, wall-mounted desk and chart holder, illustrating the desktop in the horizontally open-use position;

[57] CLAIM

The ornamental design for a self-retracting, wall-mounted desk and chart holder, as shown and described.

FIG. 12 is a right side elevational view of the self-retracting, wall-mounted desk and chart holder, illustrating the desktop in the horizontally open-use position;

FIG. 13 is a left side elevational view of the self-retracting, wall-mounted desk and chart holder, illustrating the desktop in the horizontally open-use position;

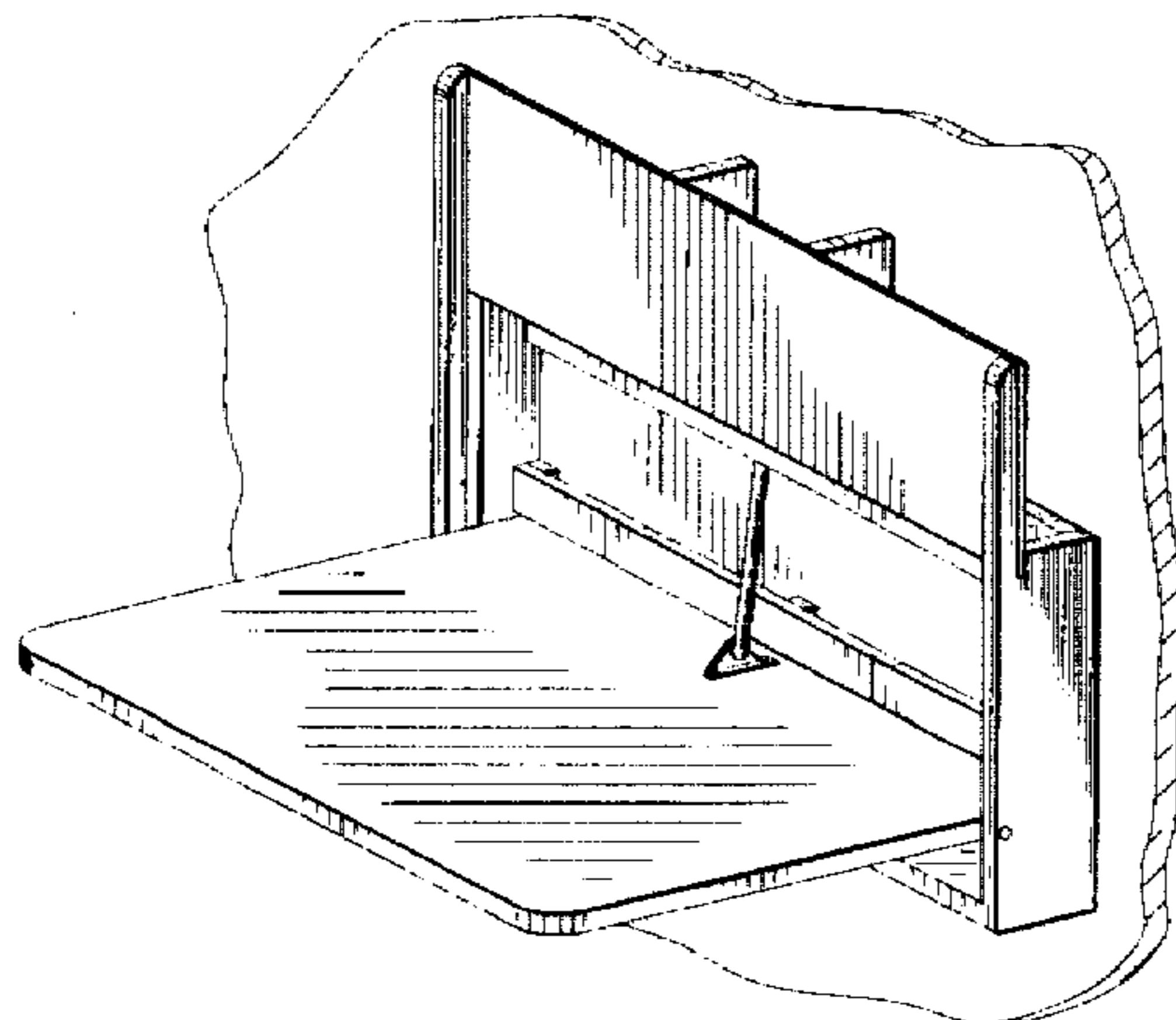


FIG. 14 is a rear elevational view of the self-retracting, wall-mounted desk and chart holder, illustrating the desktop in the horizontally open-use position;

FIG. 15 is a rear perspective view of the self-retracting, wall-mounted desk and chart holder, illustrating the desktop in the horizontally open use position; and,

FIG. 16 is a rear perspective view of the self-retracting, wall-mounted desk and chart holder, illustrating the desktop in the vertically closed position.

1 Claim, 6 Drawing Sheets

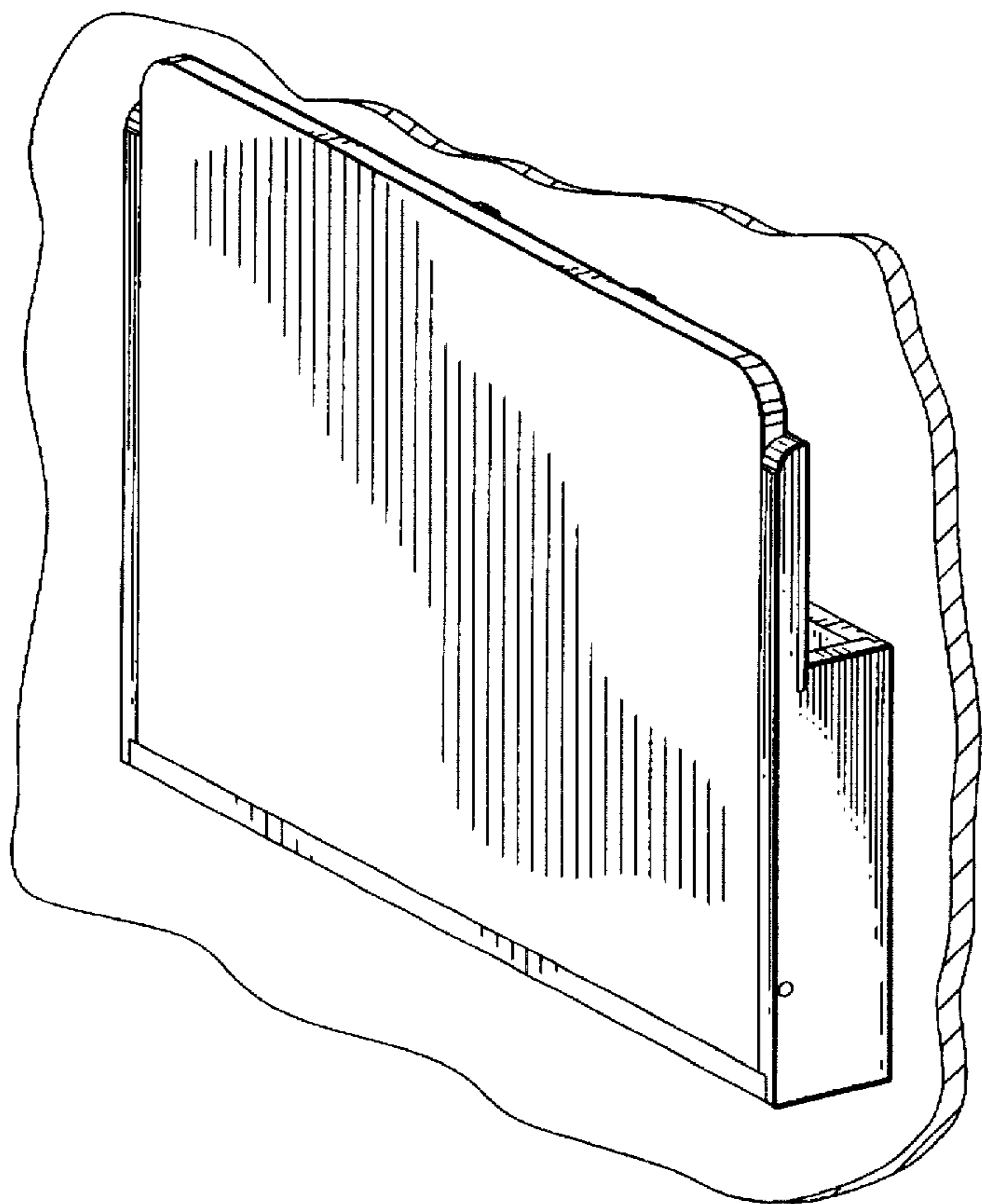


Fig. 1.

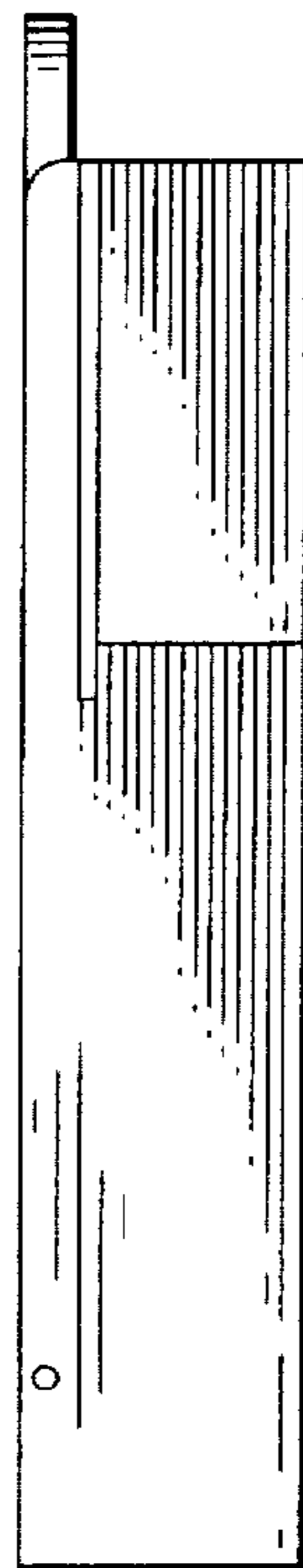


Fig. 3.

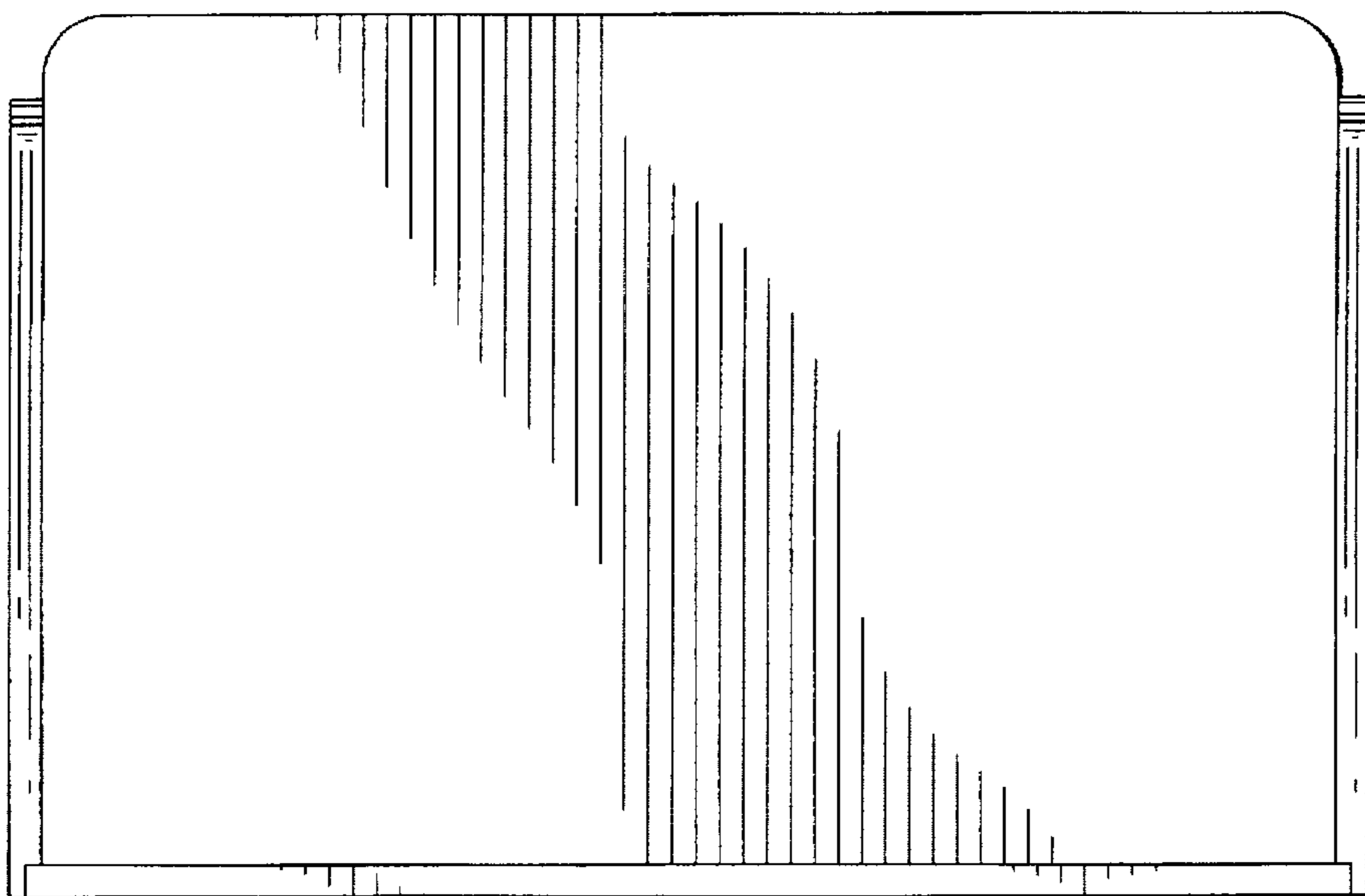


Fig. 2.



Fig. 4.

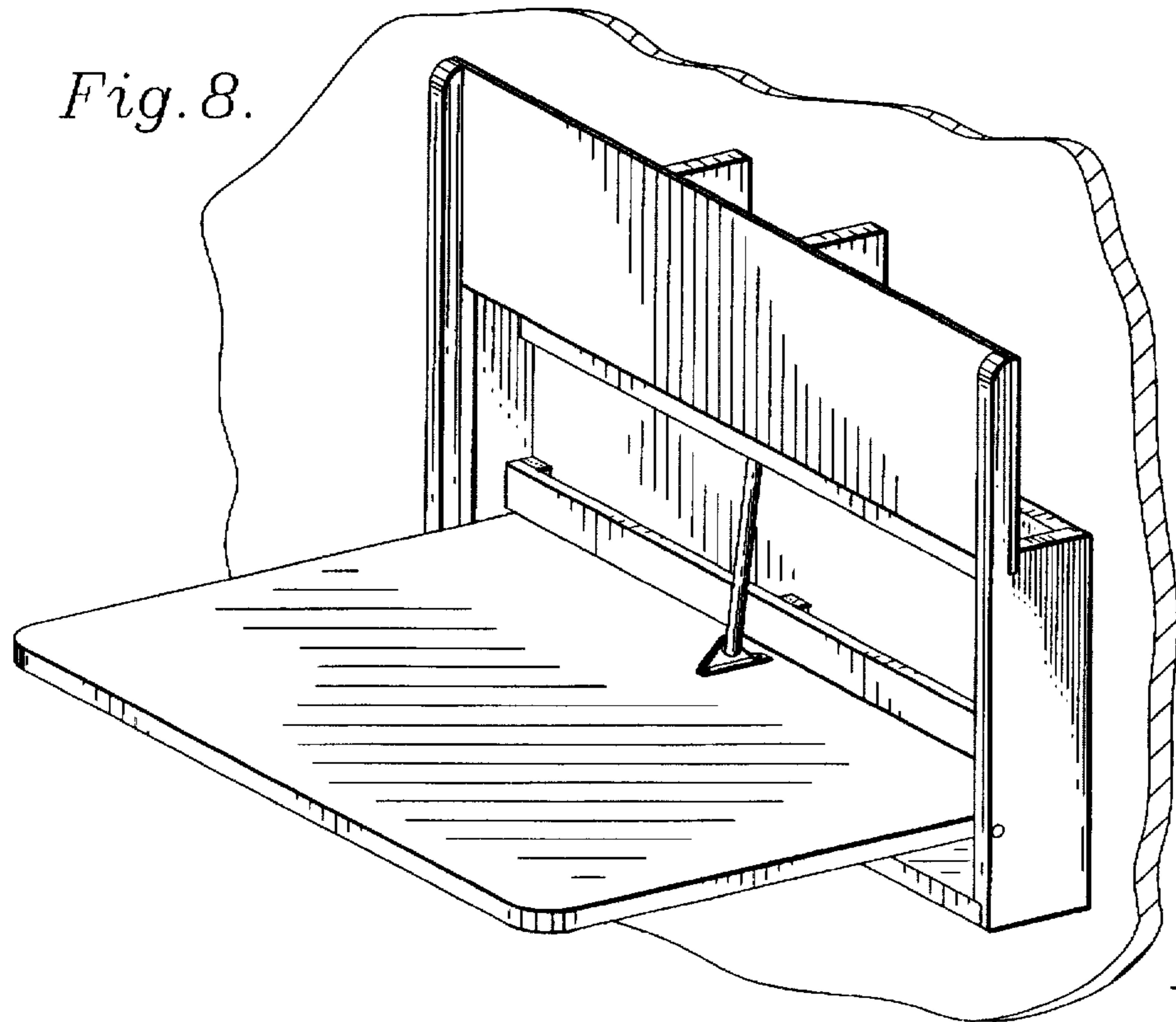


Fig. 6.

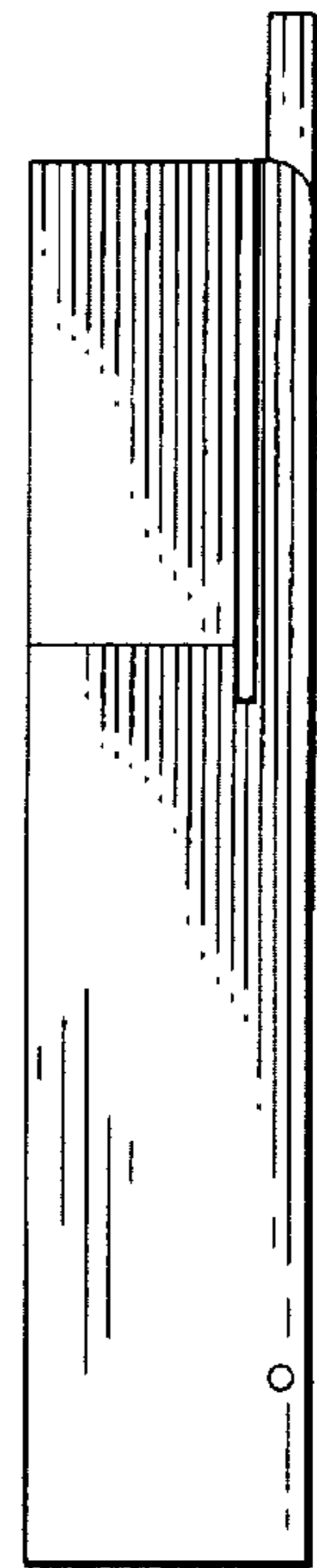
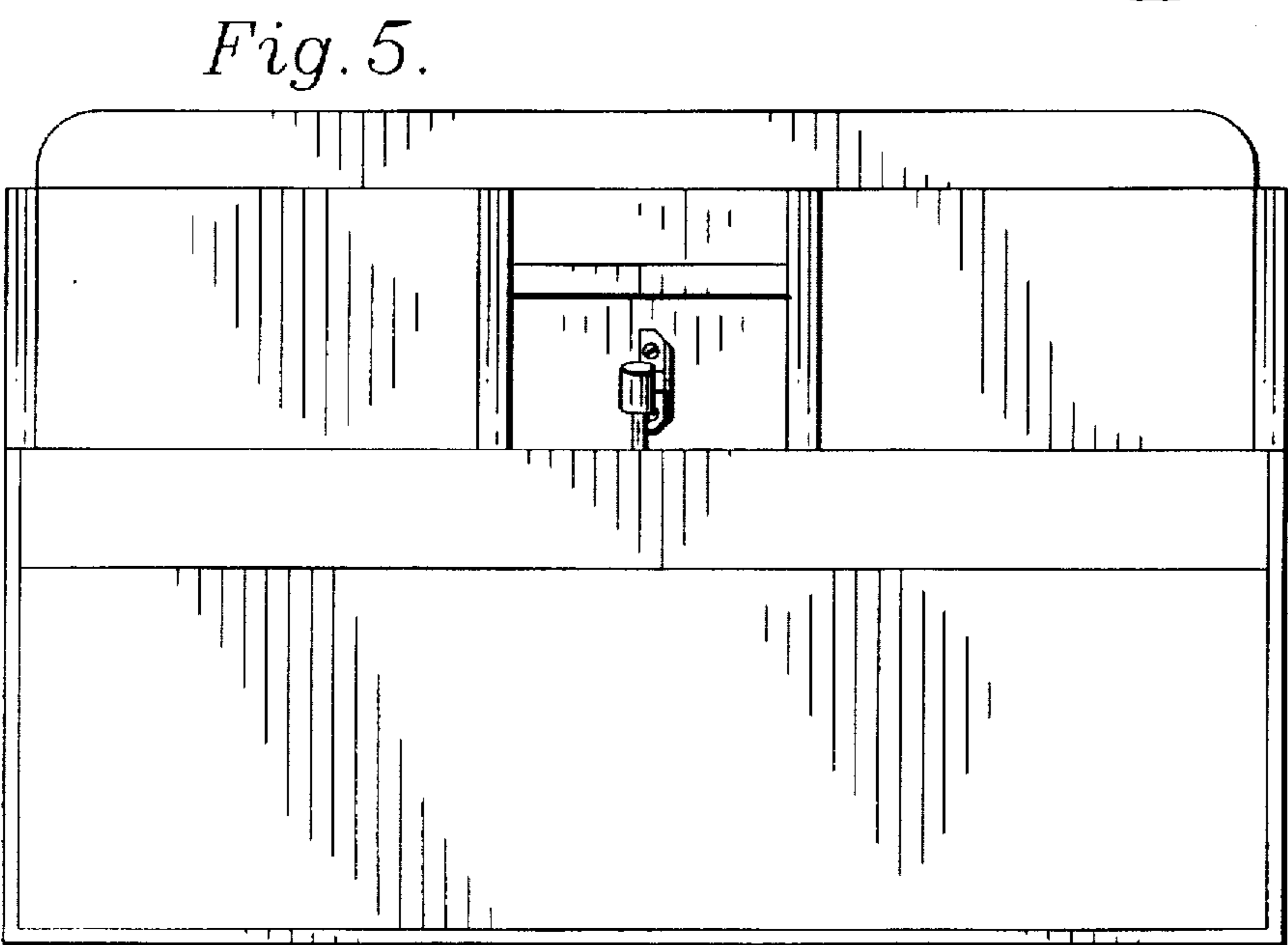


Fig. 7.

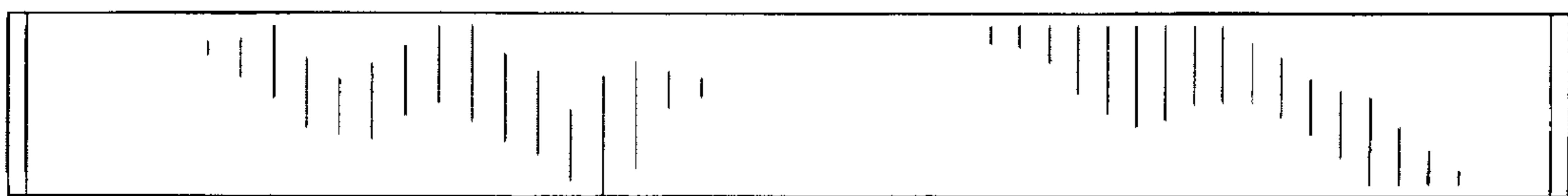


Fig. 9.

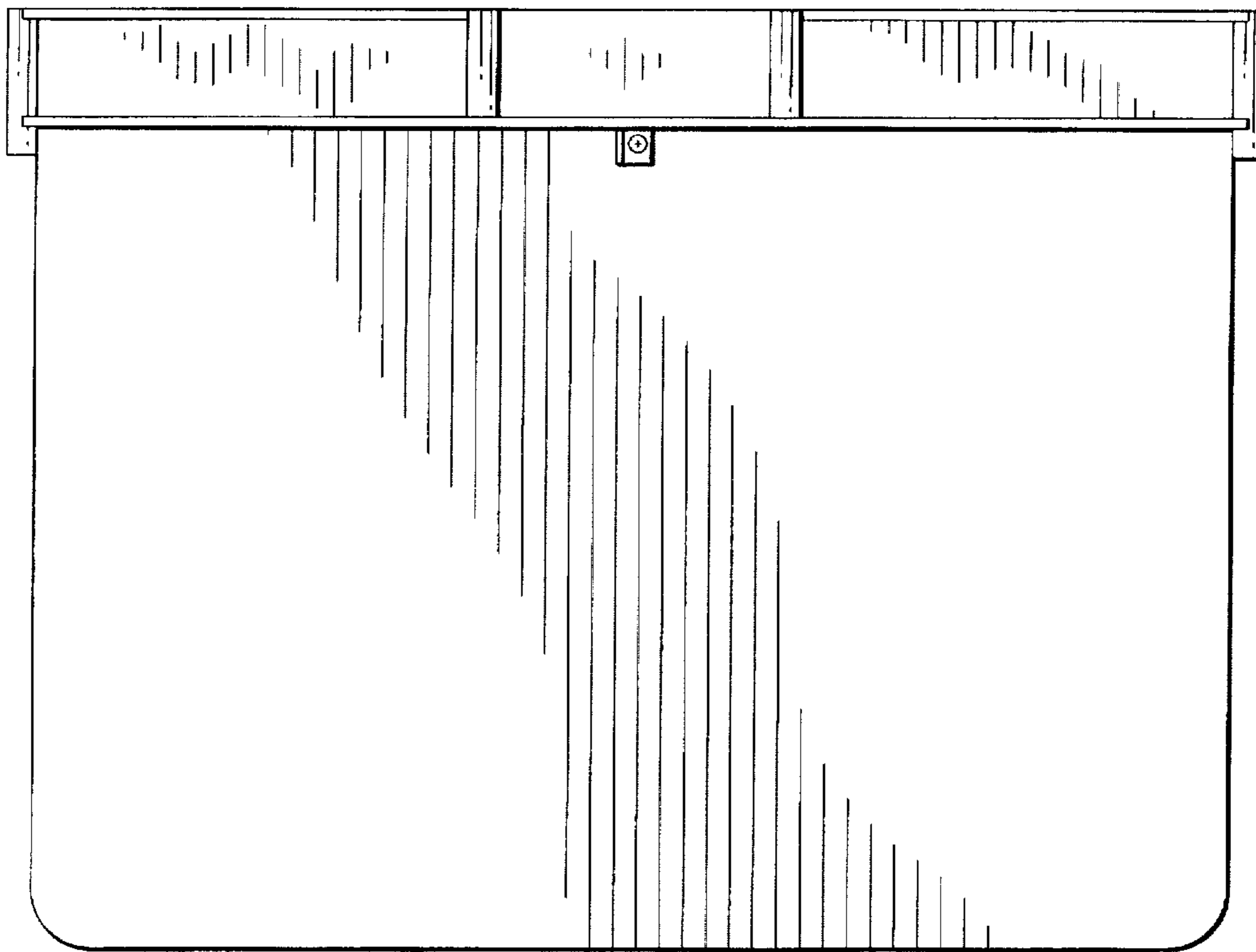
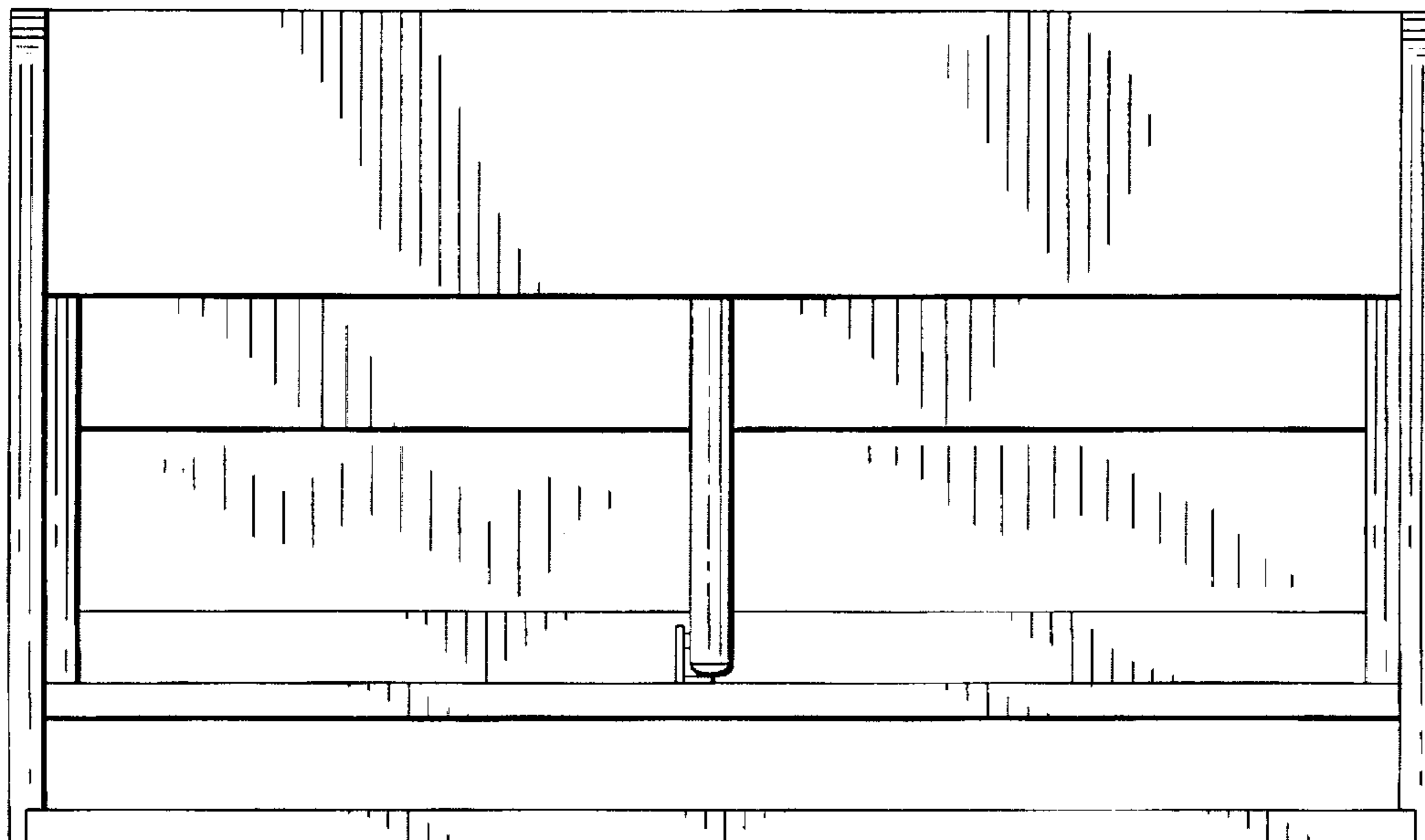


Fig. 10.



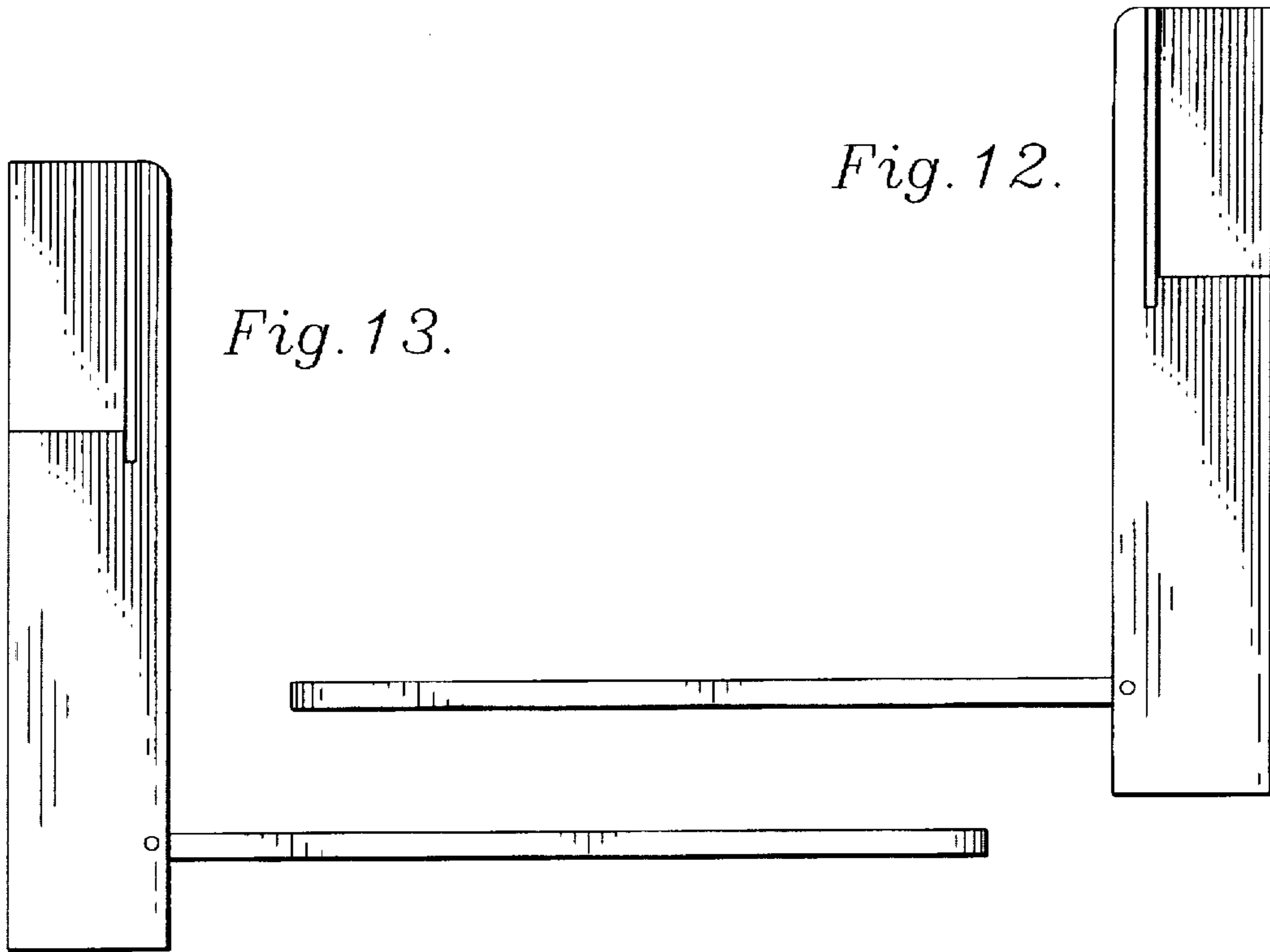


Fig. 12.

Fig. 13.

Fig. 11.

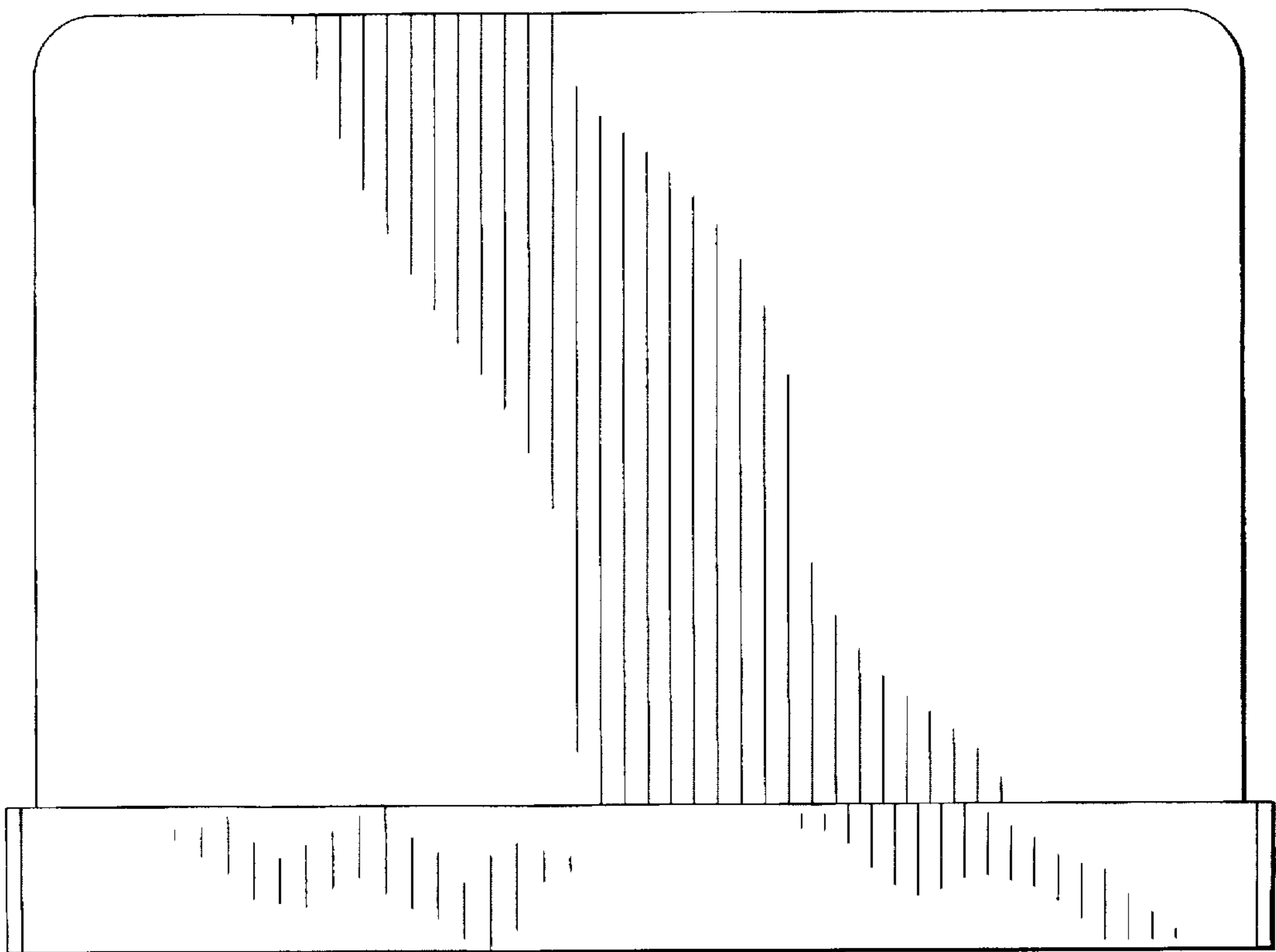


Fig. 14.

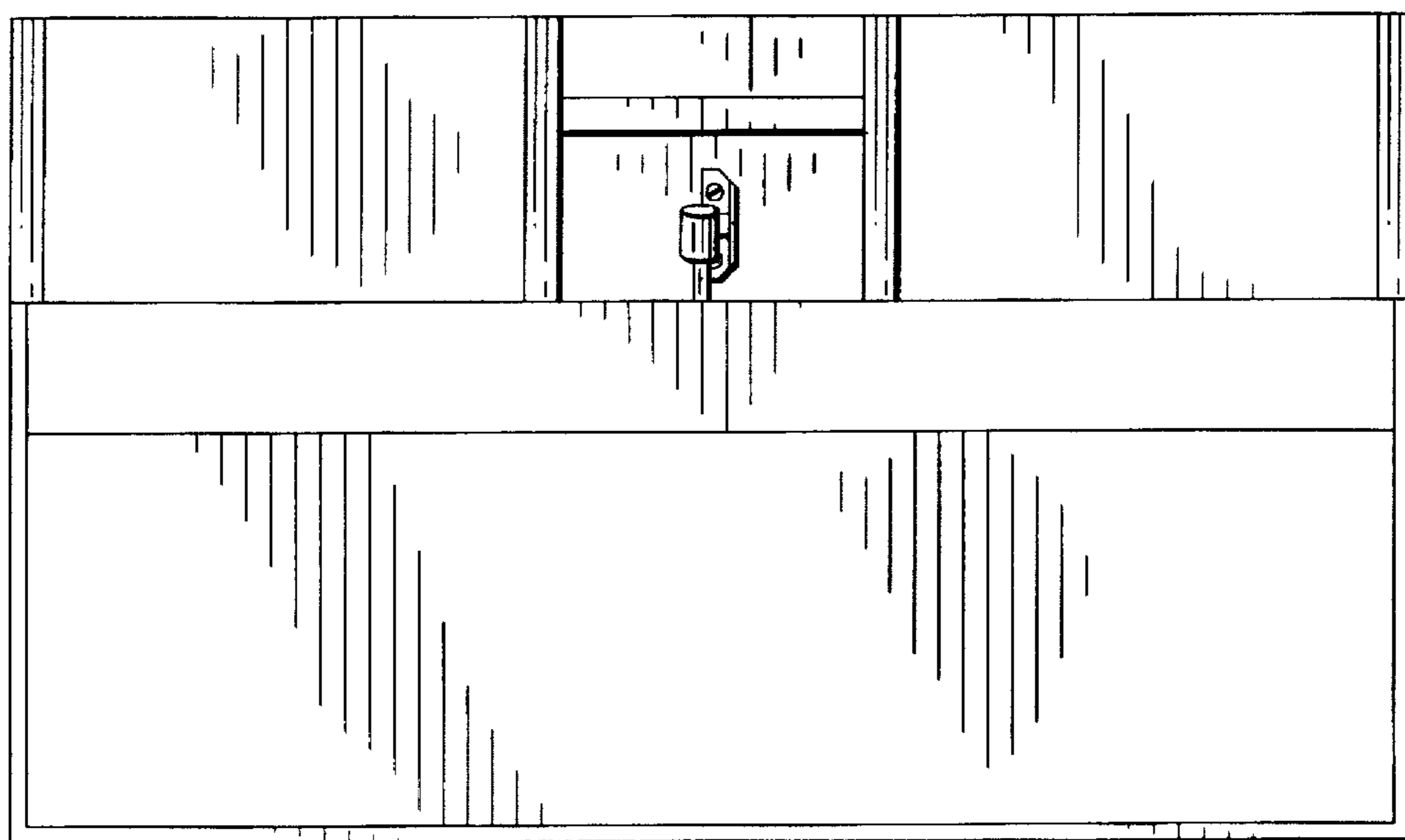


Fig. 15.

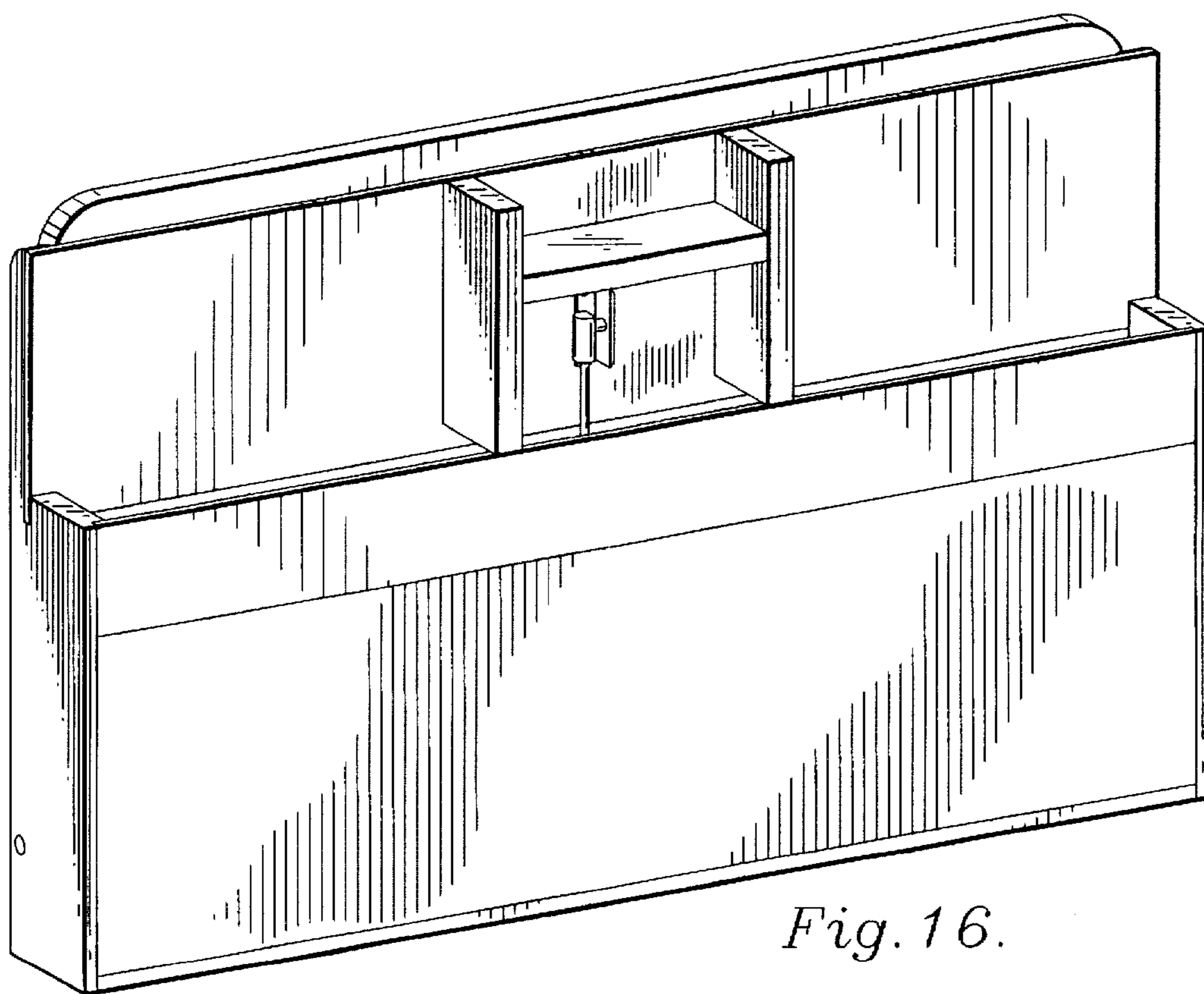
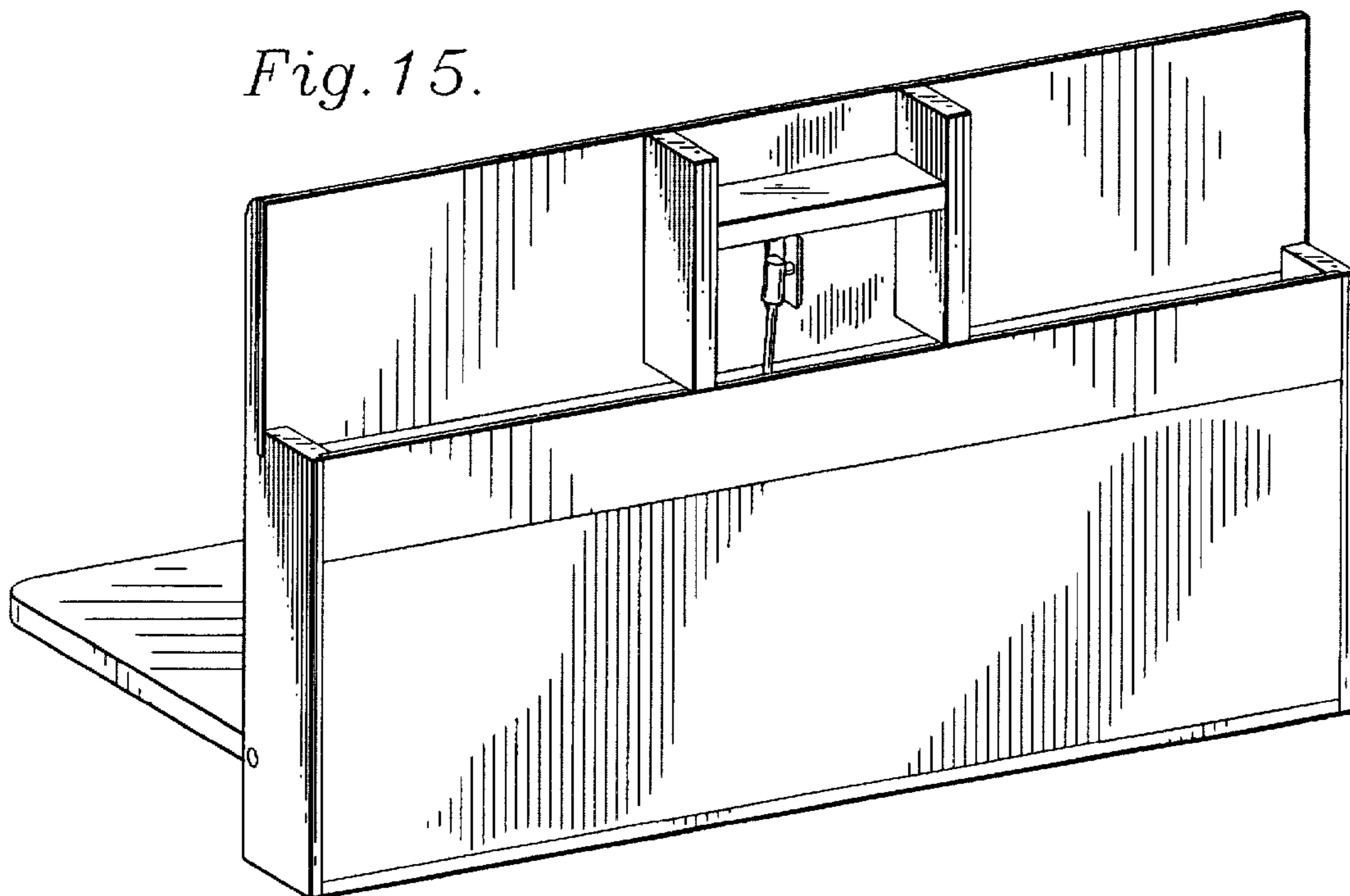


Fig. 16.