



US00D395182S

United States Patent [19]
Singleton

[11] **Patent Number: Des. 395,182**

[45] **Date of Patent: **Jun. 16, 1998**

[54] **HAIR STYLIST CART**

4,898,281 2/1990 Cherry 211/13

[75] **Inventor: Mark Singleton, French Camp, Calif.**

Primary Examiner—James Gandy

Assistant Examiner—Linda Brooks

[73] **Assignee: Salon Easel Inc., Stockton, Calif.**

Attorney, Agent, or Firm—Madson & Metcalf

[**] **Term: 14 Years**

[57] **CLAIM**

[21] **Appl. No.: 55,193**

The ornamental design for a hair stylist cart, as shown and described.

[22] **Filed: May 31, 1996**

DESCRIPTION

[51] **LOC (6) Cl. 06-04**

[52] **U.S. Cl. D6/469; D28/73**

[58] **Field of Search** D6/460-469, 473-480, D6/482-487, 449, 455-459; 206/562, 563; 248/127, 121, 133, 138, 146, 149, 152, 371, 157, 129, 176; 211/13, 99.172, 134, 135, 186, 188, 153, 190, 107, 71-74, 60.1, 70.1, 133, 14, 128; 108/32, 8, 25, 150, 28, 59, 152, 91-93, 103, 96, 180, 183, 191, 153, 157; D9/341, 347; 280/79.3, 188

FIG. 1 is a perspective view of the hair stylist cart according to the present invention. The trays are removable and can be inter-changed. The embodiment shown is particularly adapted for use in performing hair coloring procedures.

FIG. 2 is a front view of the embodiment illustrated in FIG. 1.

FIG. 3 is a rear view of the embodiment illustrated in FIG. 1.

FIG. 4 is a left side view of the embodiment illustrated in FIG. 1, the right side view being a mirror image.

FIG. 5 is a top view of the embodiment illustrated in FIG. 1.

FIG. 6 is a bottom view of the embodiment illustrated in FIG. 1.

FIG. 7 is a perspective view of a second embodiment of the hair stylist cart shown in FIG. 1, the only difference being the removal of the bottom two trays.

FIG. 8 is a perspective view of a third embodiment of the hair stylist cart shown in FIG. 1, the only differences being the number, spacing, and alternative configuration of the trays; and,

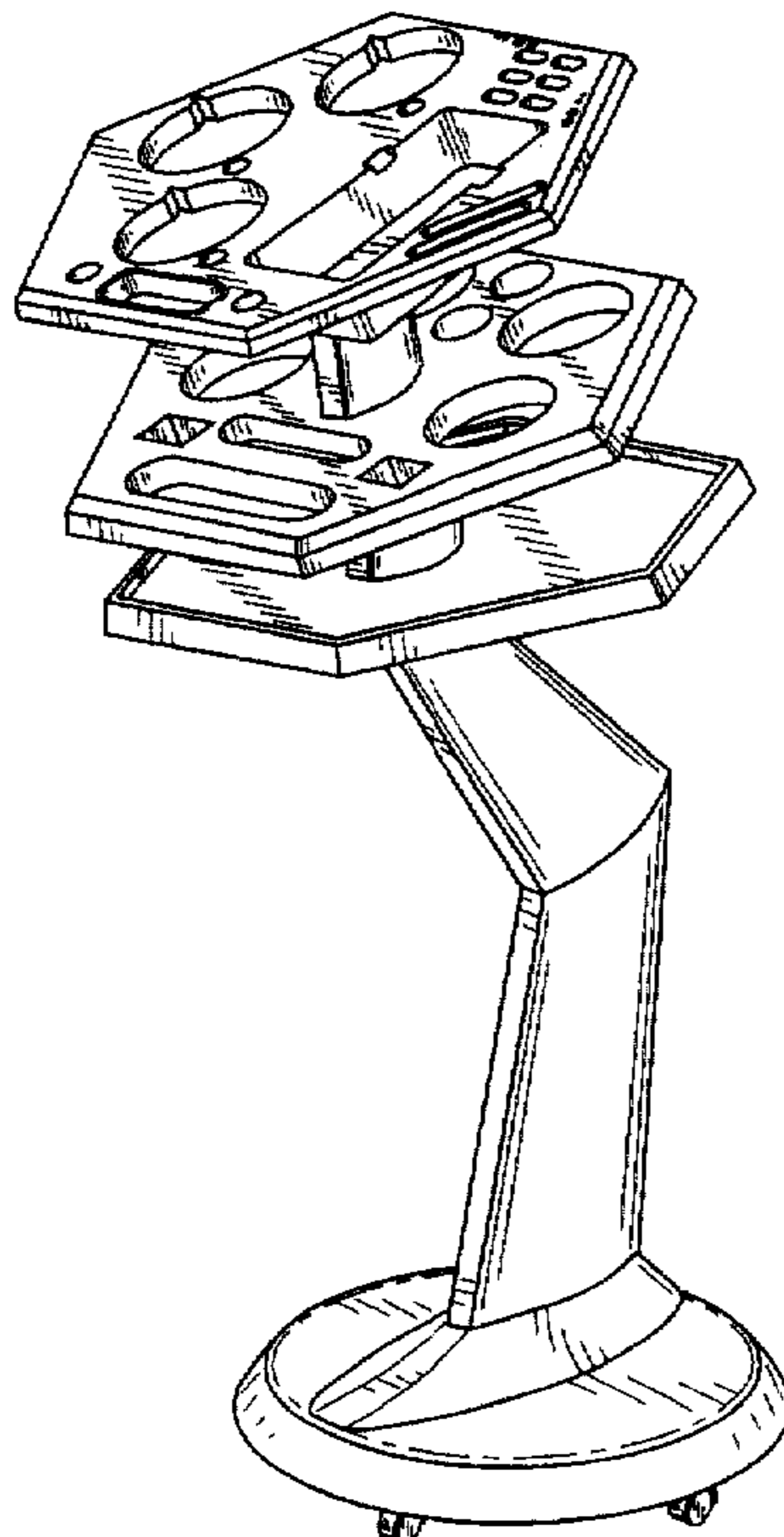
FIG. 9 is a perspective view of the embodiment illustrated in FIG. 8 showing the opposite side of the embodiment.

[56] **References Cited**

U.S. PATENT DOCUMENTS

D. 189,535	1/1961	Rath	D6/469
D. 216,713	3/1970	Buchwach	D6/457
D. 234,381	2/1975	Berger	D6/469
D. 284,149	6/1986	Rose	D6/467
D. 307,088	4/1990	Frieden, Jr.	D6/570
D. 354,862	1/1995	Goldberg	D6/461
D. 375,580	11/1996	Giedd	D28/73
1,643,735	9/1927	Baker	211/13
3,601,443	8/1971	Jones	108/103 X
4,068,760	1/1978	Johnson, Jr.	211/74
4,232,789	11/1980	Springer	206/562

1 Claim, 8 Drawing Sheets



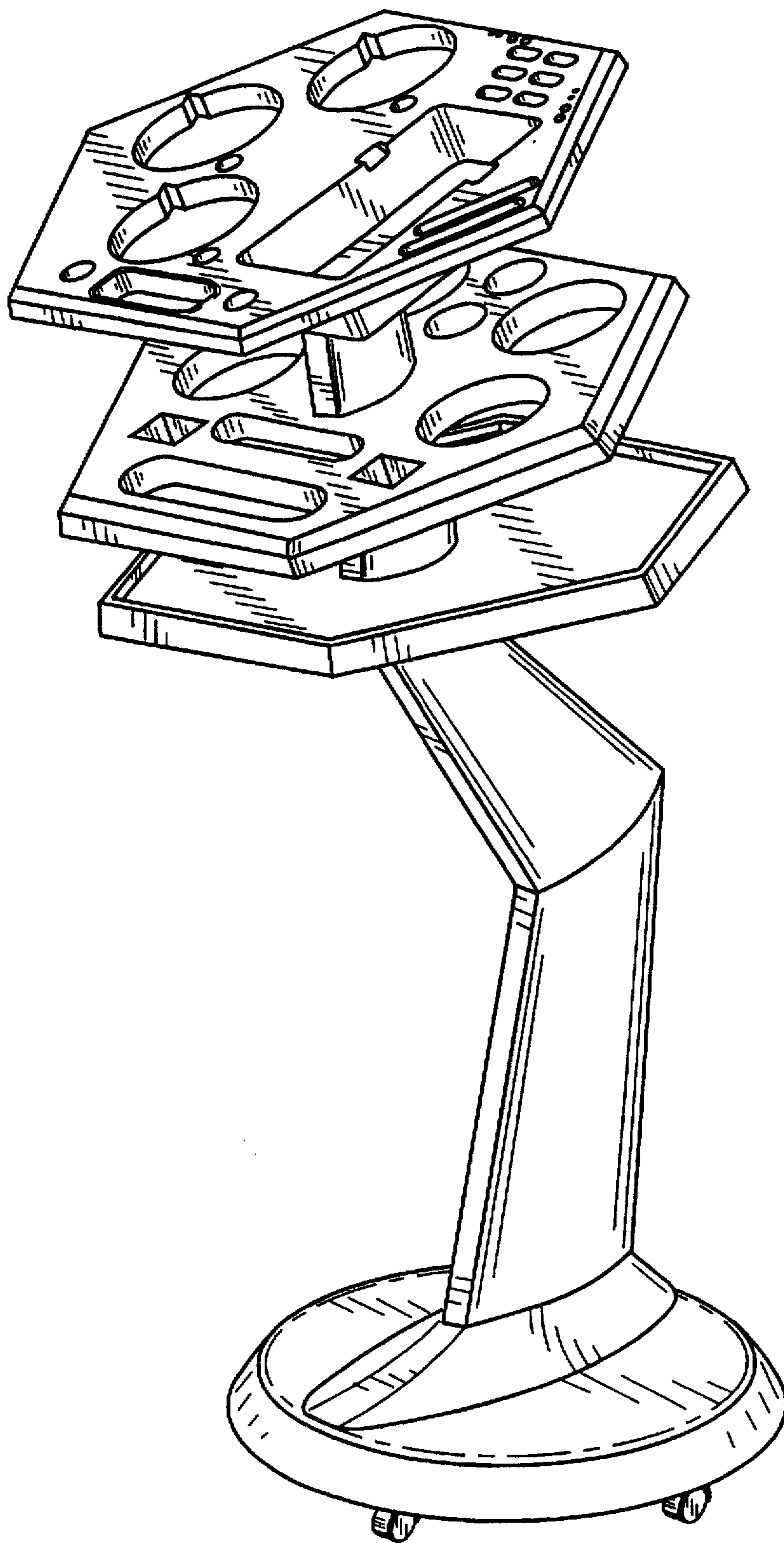


Fig. 1

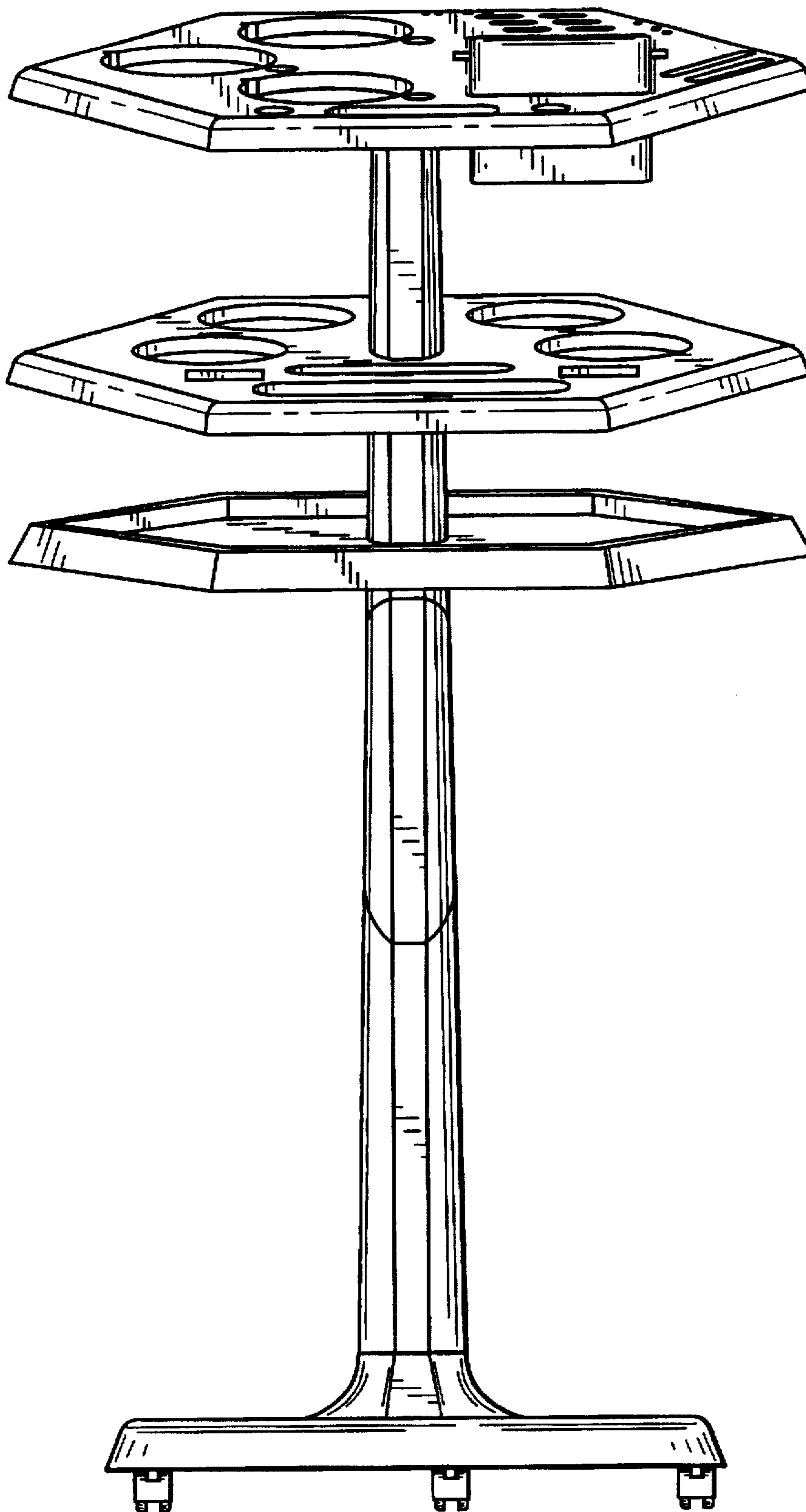


Fig. 2

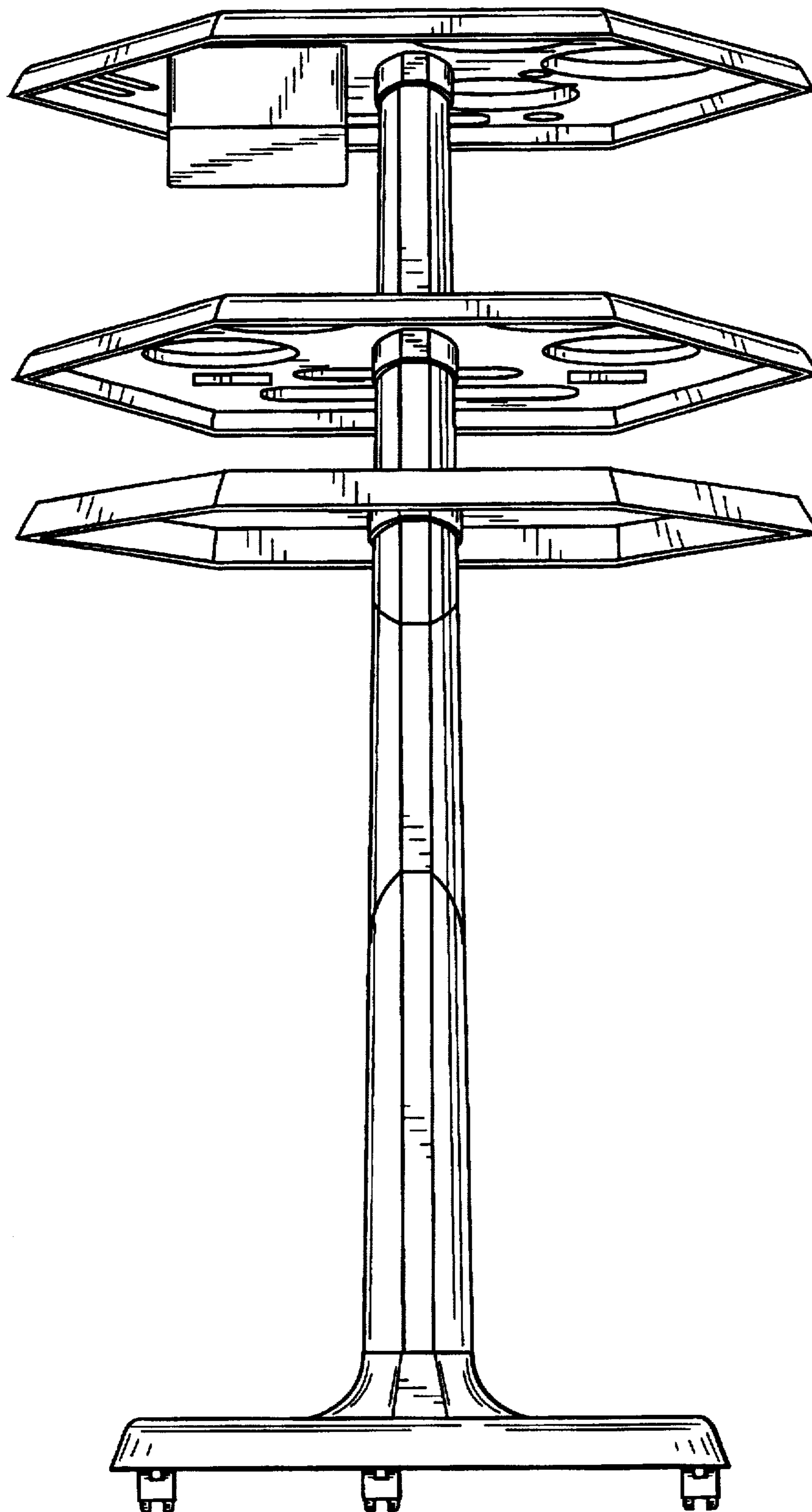


Fig. 3

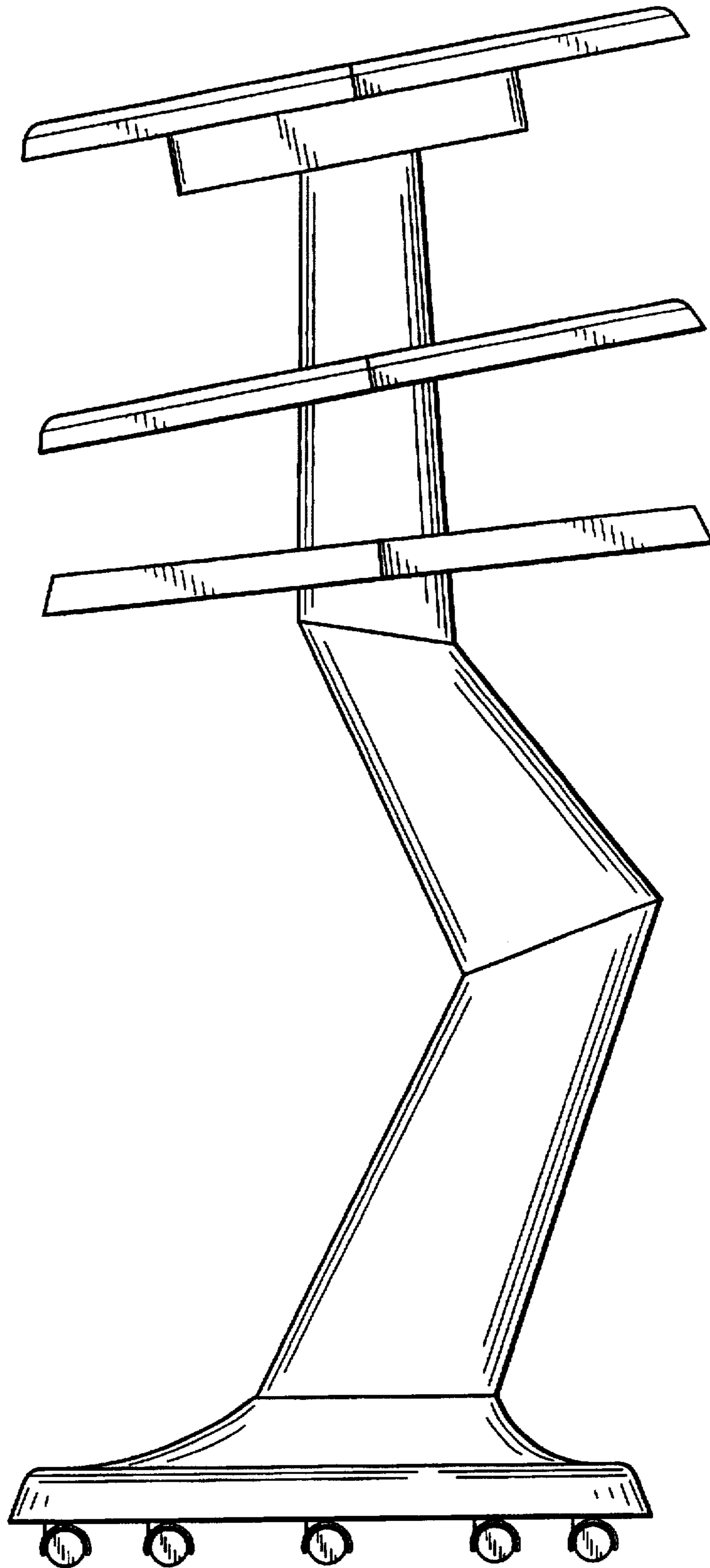


Fig. 4

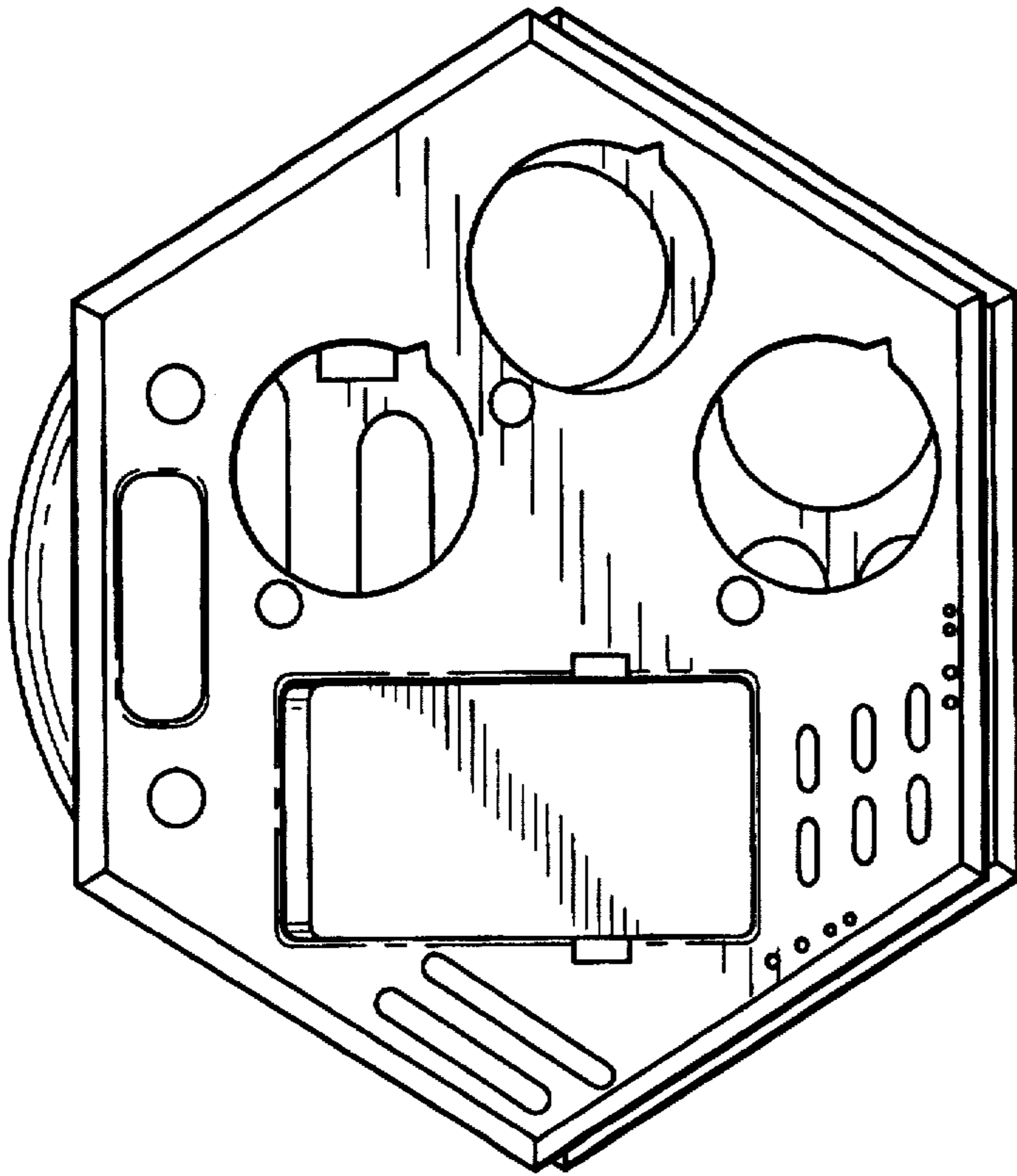


Fig. 5

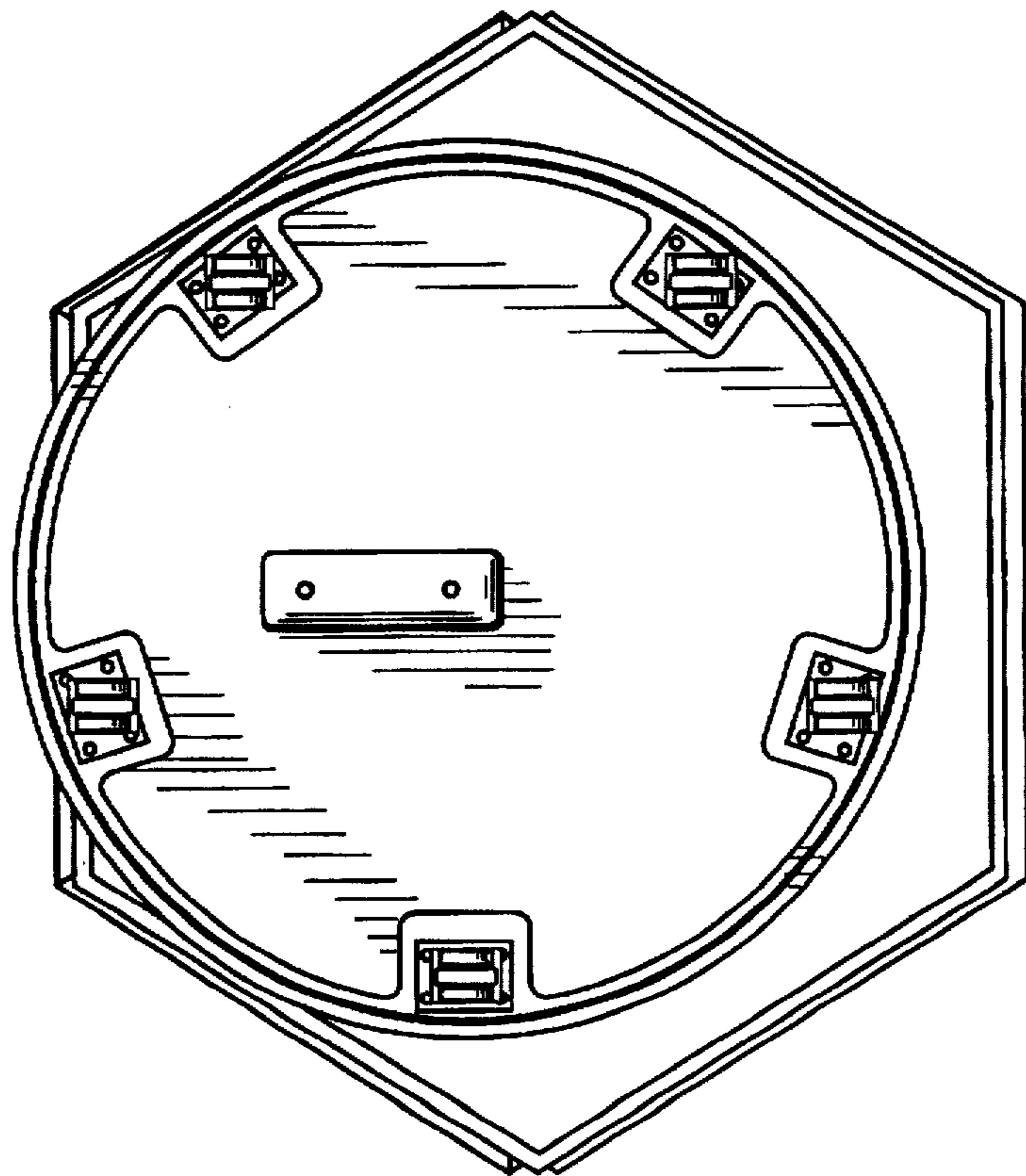


Fig. 6

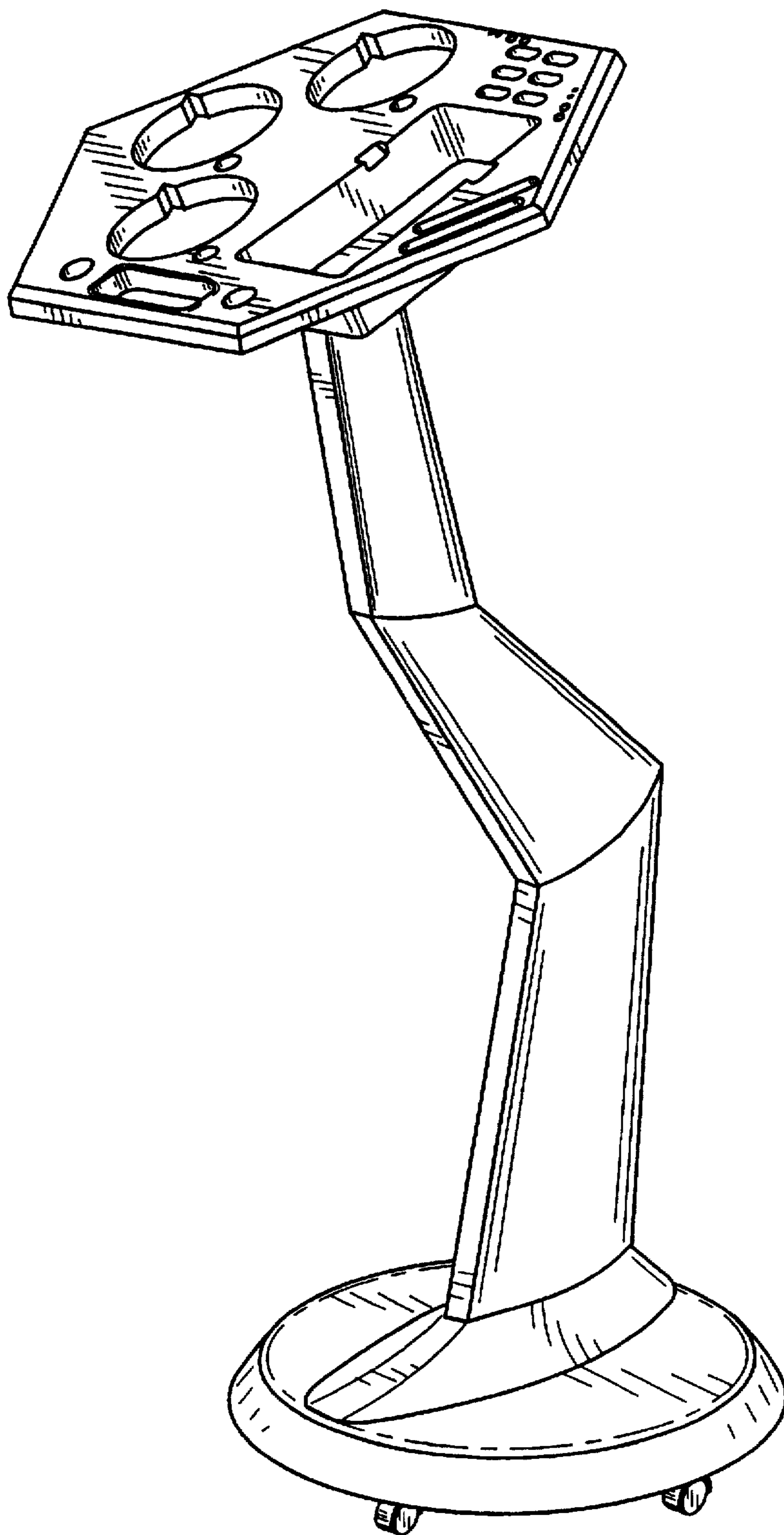


Fig. 7

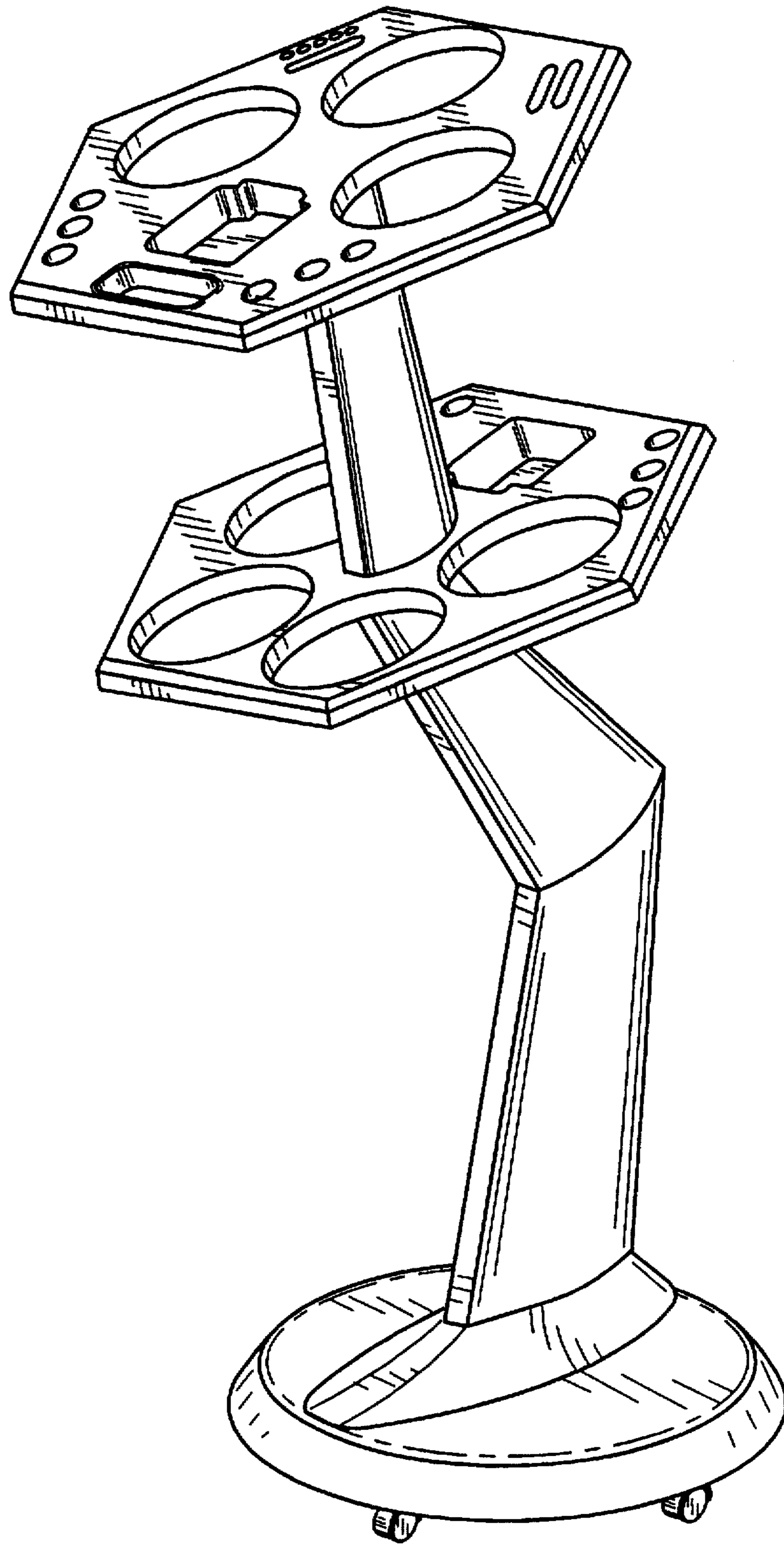


Fig. 8

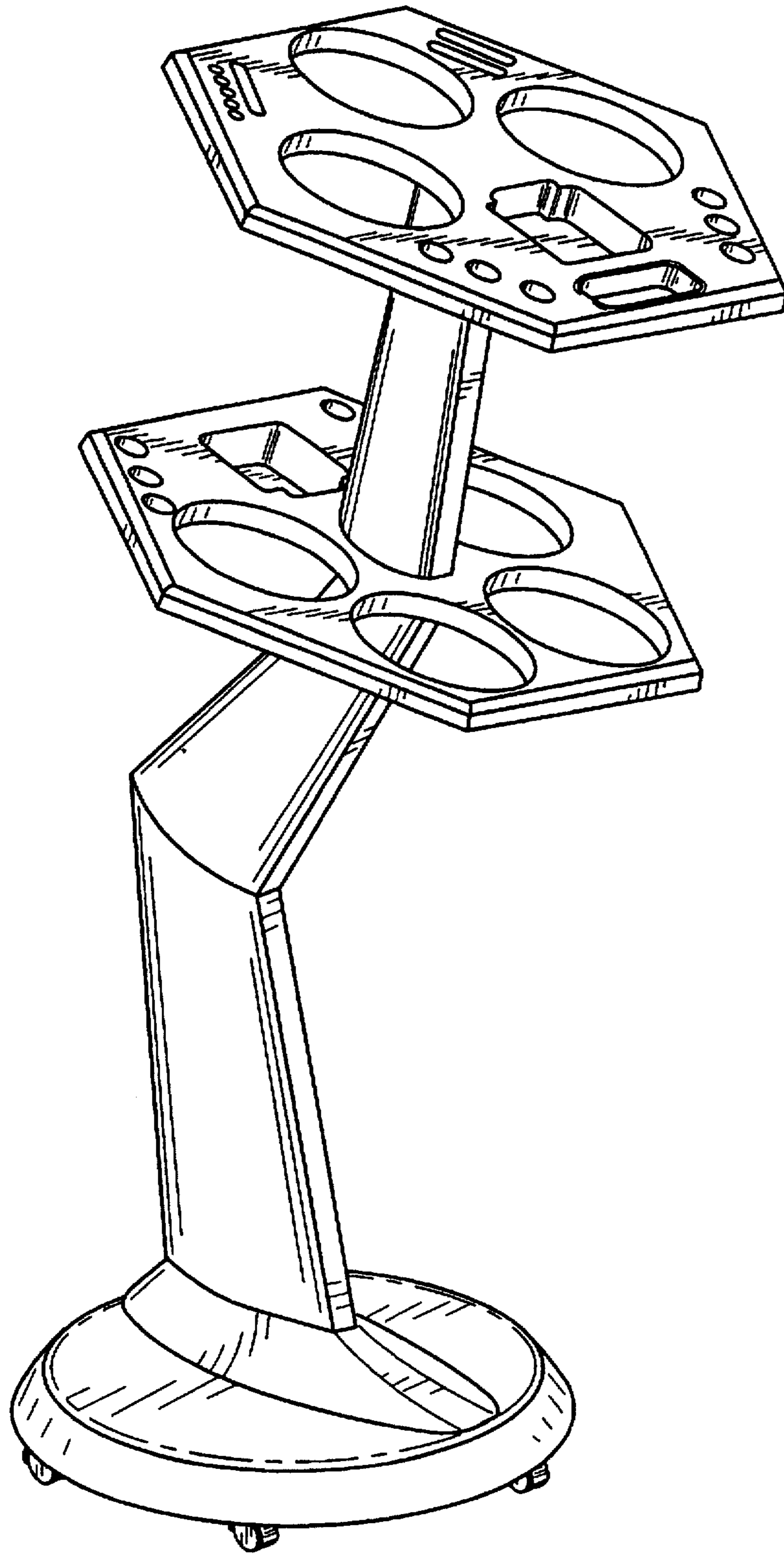


Fig. 9