



US00D395171S

**United States Patent** [19]  
**Schwartz**

[11] **Patent Number:** **Des. 395,171**  
[45] **Date of Patent:** **\*\*Jun. 16, 1998**

[54] **FIBER**

[75] **Inventor:** **Larry Schwartz, Franklin Lakes, N.J.**

[73] **Assignee:** **Sun Isle Casual Furniture, LLC,**  
**Franklin Lakes, N.J.**

[\*\*] **Term:** **14 Years**

[21] **Appl. No.:** **56,425**

[22] **Filed:** **Jun. 28, 1996**

[51] **LOC (6) CL** ..... **05-99**

[52] **U.S. Cl.** ..... **D5/99; D1/126**

[58] **Field of Search** ..... **D1/126; D5/47,**  
**D5/50, 99; D6/369; 57/248, 253; 264/176.1,**  
**177.1, 177.13, 177.15; 297/451.9, 452.63,**  
**452.64; 428/15, 17, 373, 397**

[56] **References Cited**

**U.S. PATENT DOCUMENTS**

|            |         |                       |            |
|------------|---------|-----------------------|------------|
| D. 15,252  | 8/1884  | Williams .            |            |
| D. 32,542  | 4/1900  | Tyler .               |            |
| D. 91,125  | 11/1933 | Thomas .              |            |
| D. 217,601 | 5/1970  | Borichevsky .         |            |
| D. 220,906 | 6/1971  | Borichevsky .         |            |
| D. 272,020 | 1/1984  | Baty .                |            |
| D. 316,338 | 4/1991  | Frinier .             |            |
| D. 328,981 | 9/1992  | Wisner .              |            |
| D. 337,094 | 7/1993  | Bernstein .           |            |
| D. 345,262 | 3/1994  | Caldwell .            |            |
| 3,226,795  | 1/1966  | Swerdloff et al. .... | 264/177.13 |
| 3,436,870  | 4/1969  | Sellman .             |            |
| 3,691,749  | 9/1972  | McKay .               |            |

(List continued on next page.)

**OTHER PUBLICATIONS**

Mezzani Rigati Pasta #9, Colored Insert Facing p. 29,  
Encyclopedia of Food, A. Ward, 1923.

*Primary Examiner*—James Gandy  
*Assistant Examiner*—Robert M. Spear  
*Attorney, Agent, or Firm*—Lerner, David, Littenberg,  
Krumholz & Mentlik

[57] **CLAIM**

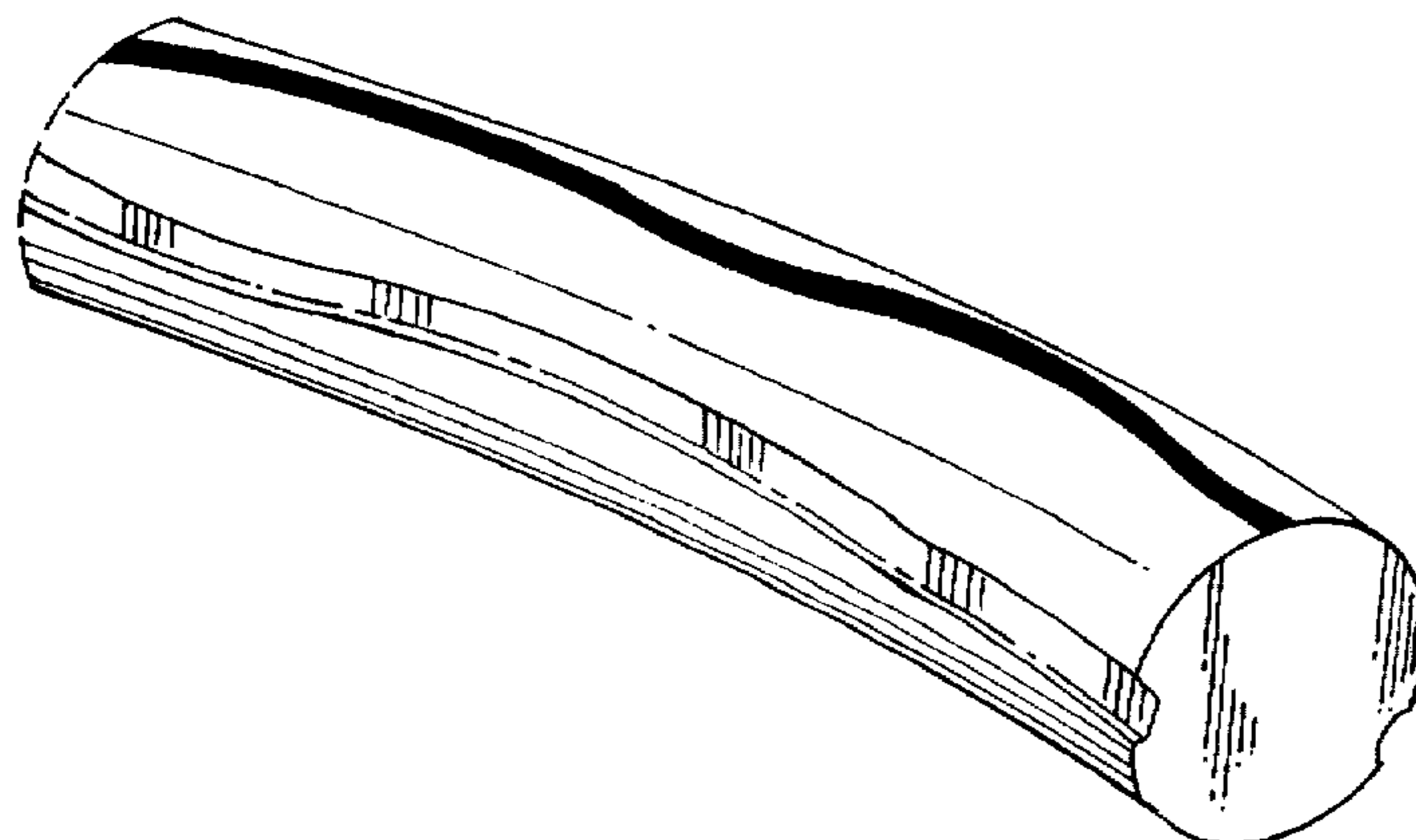
The ornamental design for a fiber, as shown and described.

**DESCRIPTION**

FIG. 1 is a front perspective view of a fiber of indeterminate length showing my new design;  
 FIG. 2 is an end view thereof, it being understood that the opposite end elevational view is a mirror image of that shown;  
 FIG. 3 is a front elevational view;  
 FIG. 4 is a rear elevational view;  
 FIG. 5 is a top plan view;  
 FIG. 6 is a bottom plan view;  
 FIG. 7 is a front perspective view of a second embodiment of a fiber of indeterminate length showing my new design;  
 FIG. 8 is an end view thereof, it being understood that the opposite end elevational view is a mirror image of that shown;  
 FIG. 9 is a front elevational view;  
 FIG. 10 is a rear elevational view;  
 FIG. 11 is a top plan view;  
 FIG. 12 is a bottom plan view;  
 FIG. 13 is a front perspective view of a third embodiment of a fiber of indeterminate length showing my new design;  
 FIG. 14 is an end view thereof, it being understood that the opposite end elevational view is a mirror image of that shown;  
 FIG. 15 is a front elevational view;  
 FIG. 16 is a rear elevational view;  
 FIG. 17 is a top plan view;  
 FIG. 18 is a bottom plan view;  
 FIG. 19 is a front perspective view of a fourth embodiment of a fiber of indeterminate length showing my new design;  
 FIG. 20 is an end view thereof, it being understood that the opposite end elevational view is a mirror image of that shown;  
 FIG. 21 is a front elevational view;  
 FIG. 22 is a top plan view;  
 FIG. 23 is a top plan view; and,  
 FIG. 24 is a bottom plan view.

In the drawings, the broken lines indicate that the fiber has indeterminate length and form no part of the claimed design.

**1 Claim, 8 Drawing Sheets**

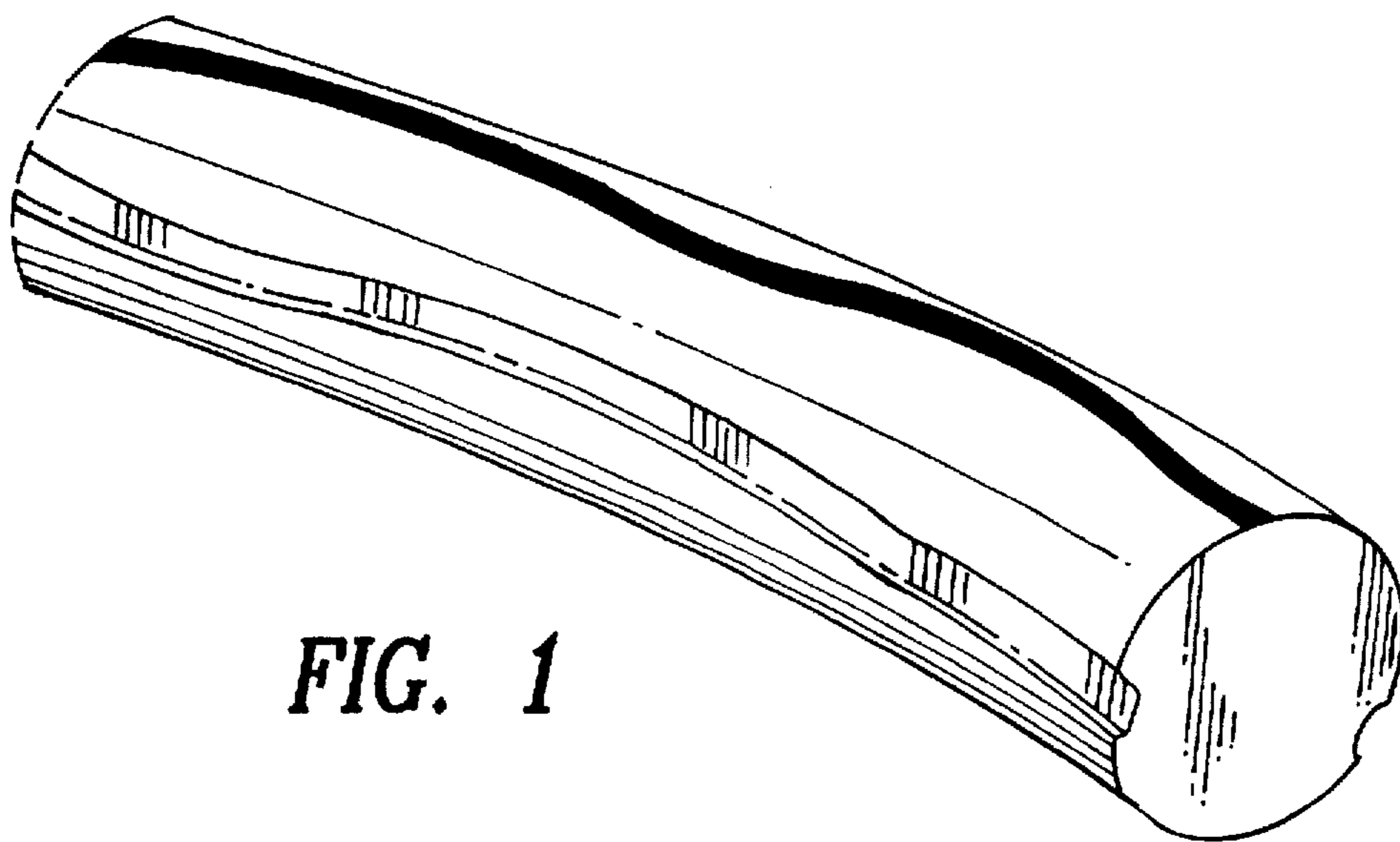


# Des. 395,171

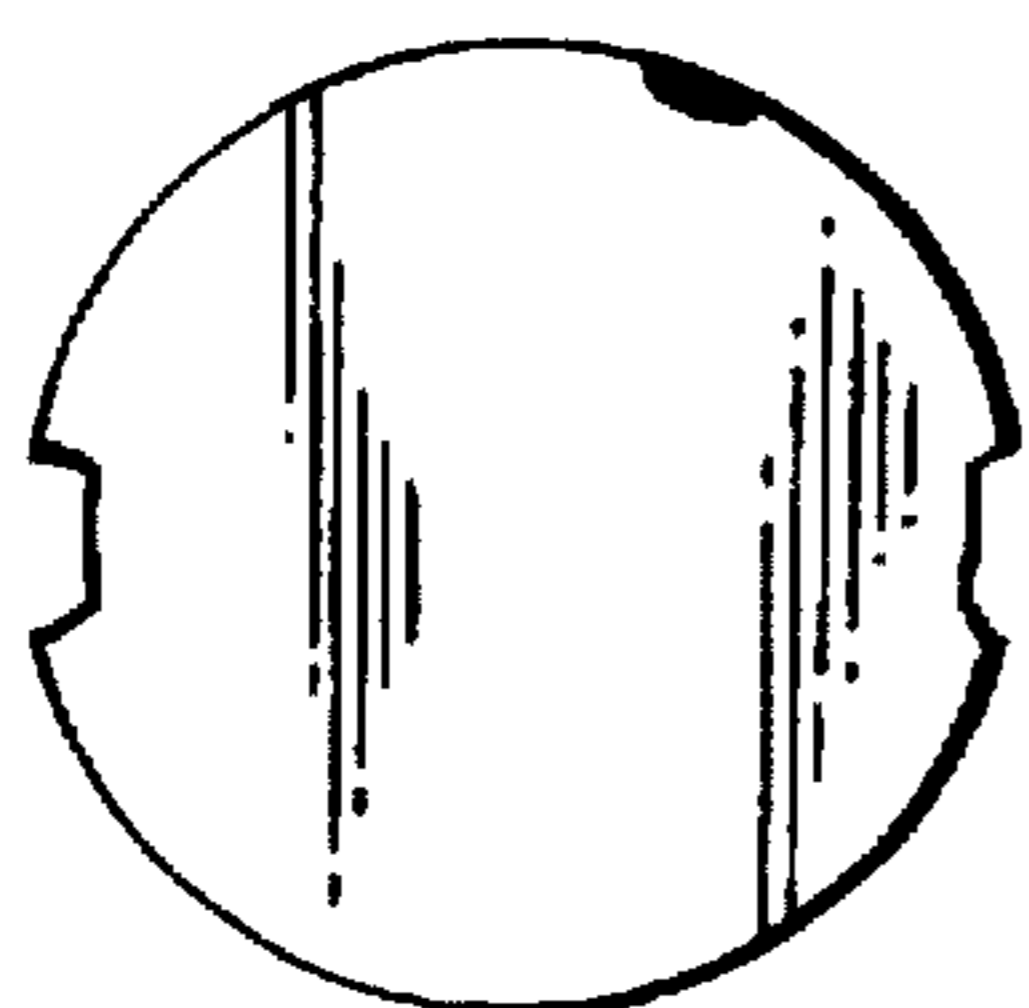
Page 2

---

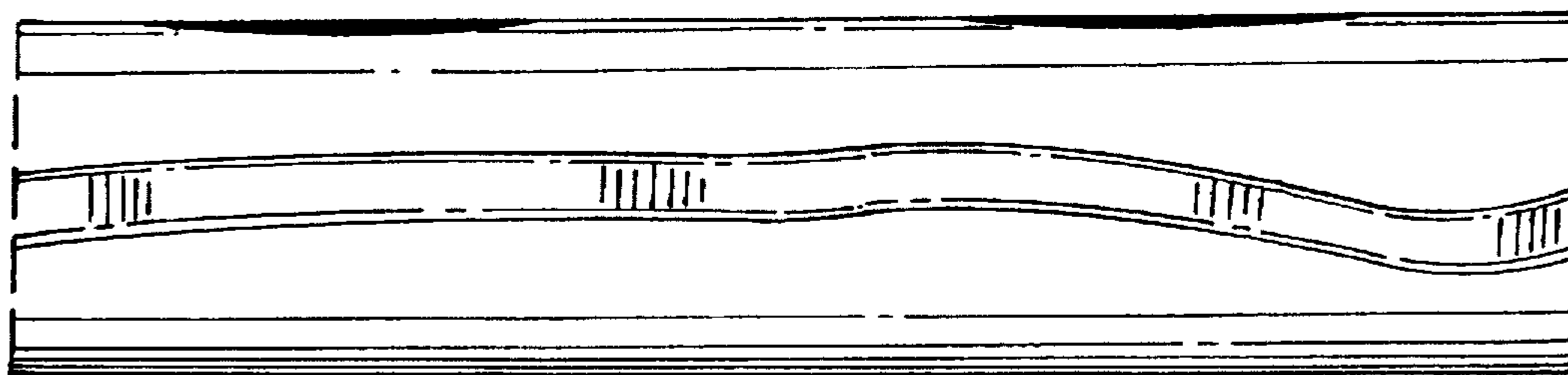
| U.S. PATENT DOCUMENTS |         |           |        |                     |            |
|-----------------------|---------|-----------|--------|---------------------|------------|
|                       |         | 4,455,347 | 6/1984 | Ochi et al. ....    | 264/177.13 |
|                       |         | 4,460,649 | 7/1984 | Park et al. .       |            |
| 3,700,544             | 10/1972 | 4,950,519 | 8/1990 | Huang .....         | 428/17     |
| 3,839,526             | 10/1974 | 5,433,805 | 7/1995 | Schmidmeier .....   | 428/17     |
| 4,176,150             | 11/1979 | 5,607,766 | 3/1997 | Berger .....        | 428/373    |
|                       |         |           |        | Bromley et al. .... | 264/177.13 |



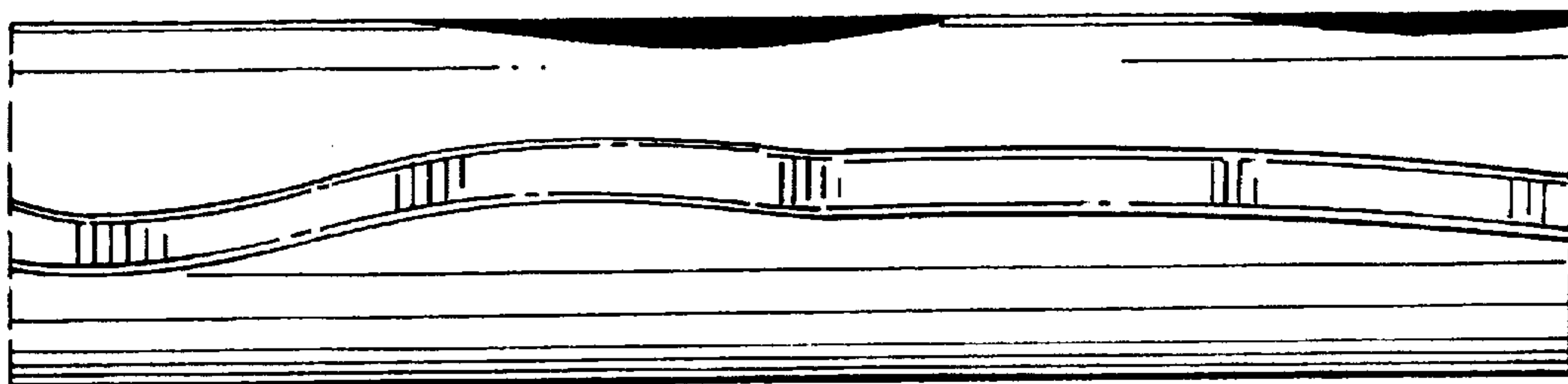
**FIG. 1**



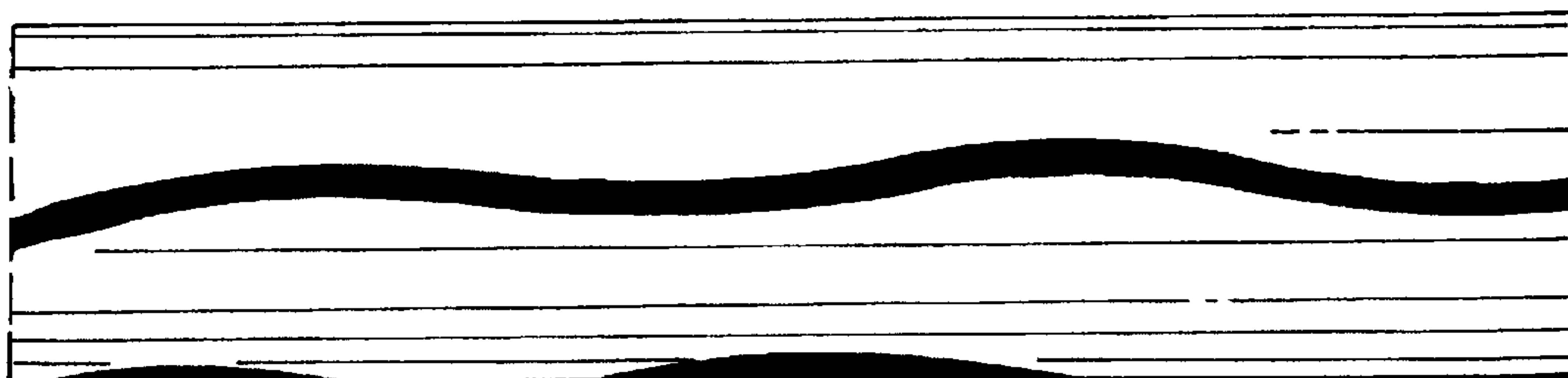
**FIG. 2**



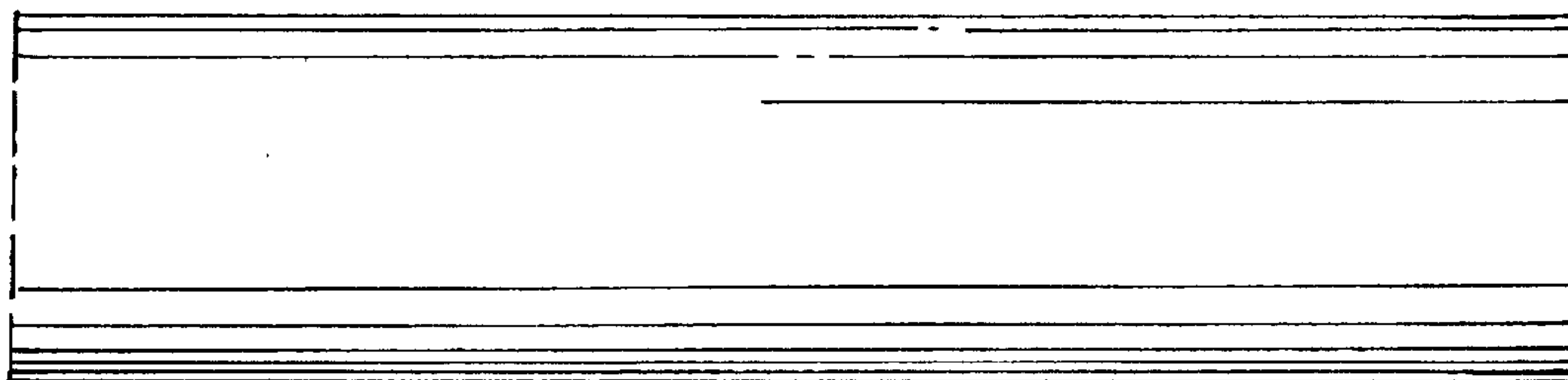
**FIG. 3**



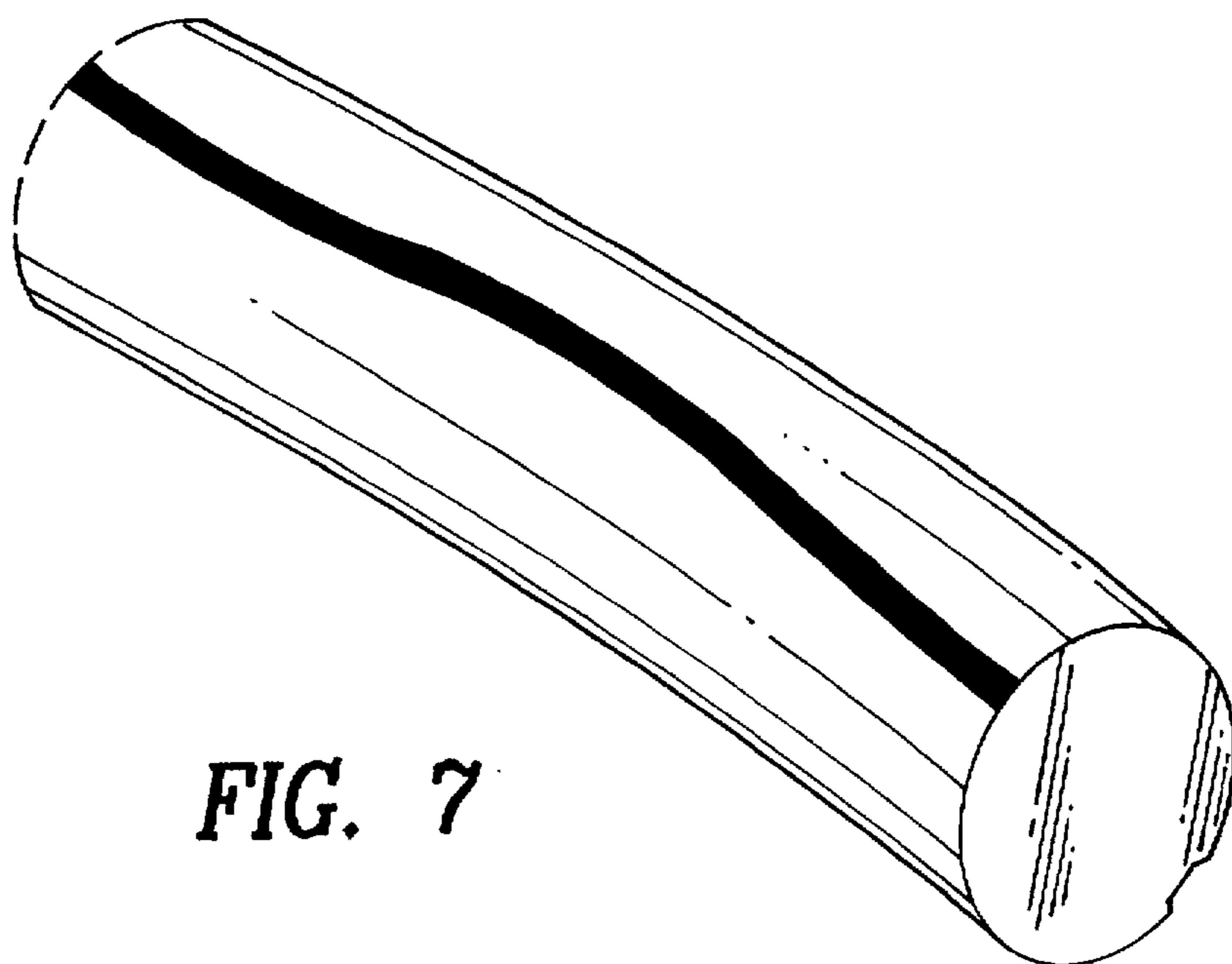
*FIG. 4*



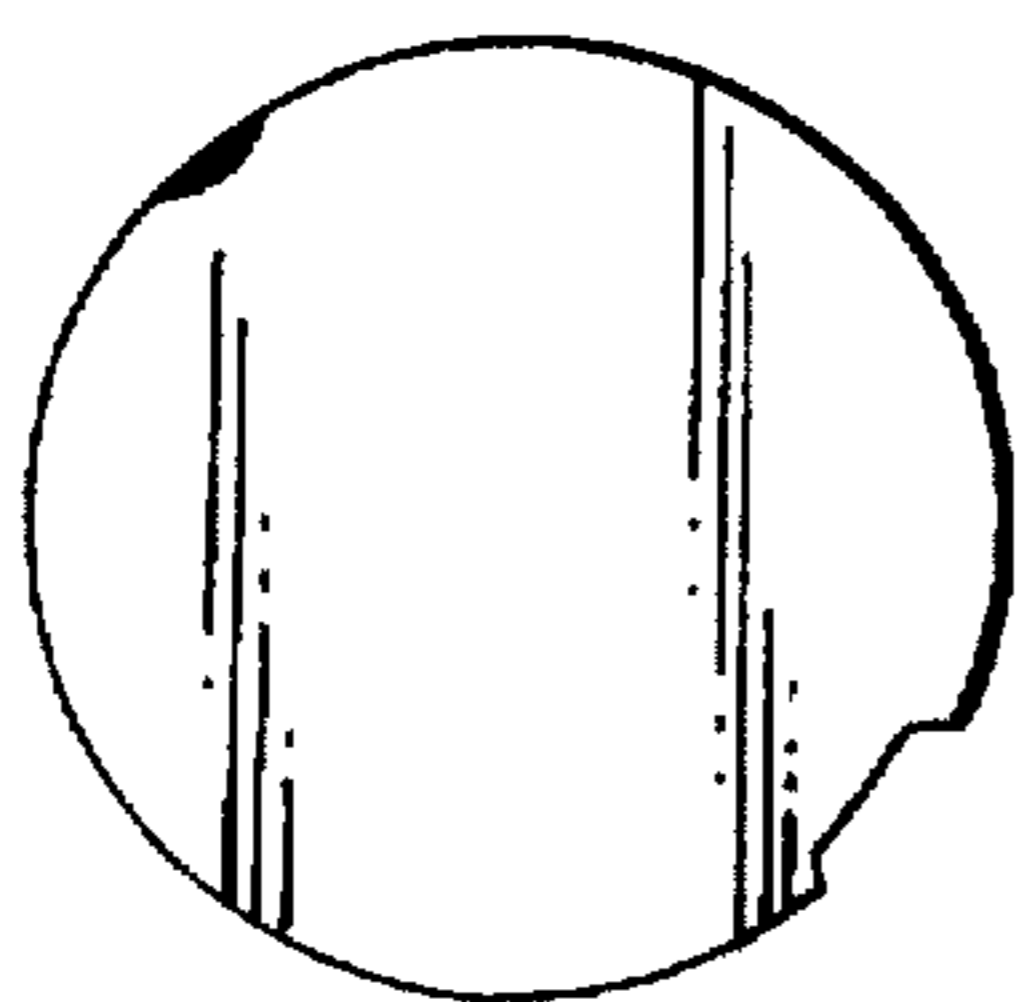
*FIG. 5*



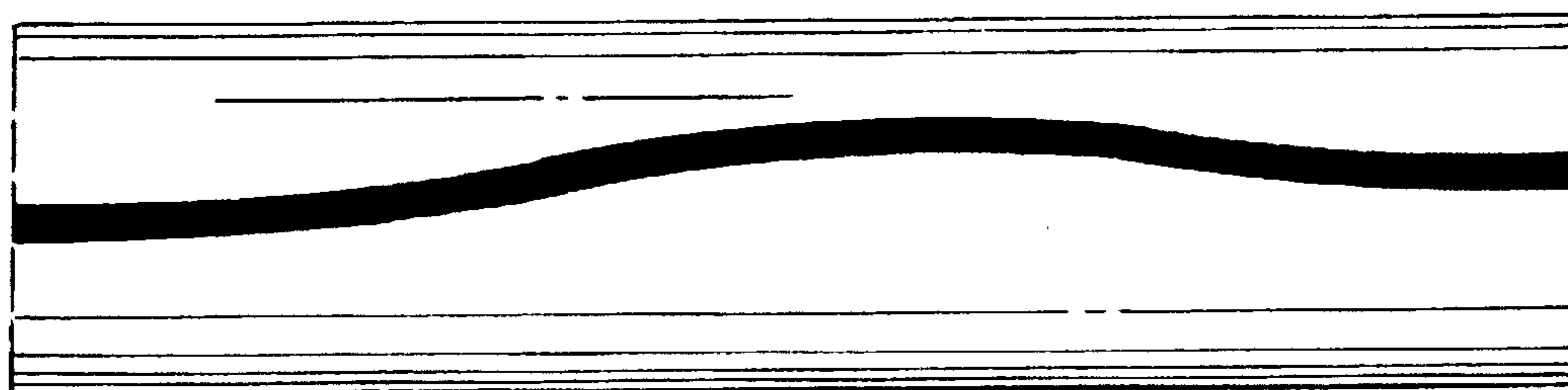
*FIG. 6*



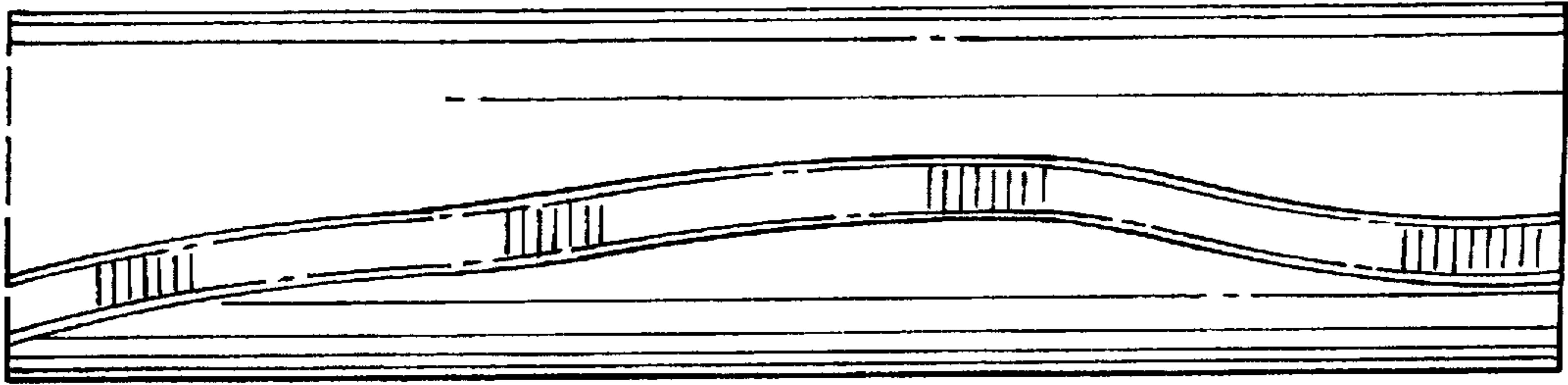
**FIG. 7**



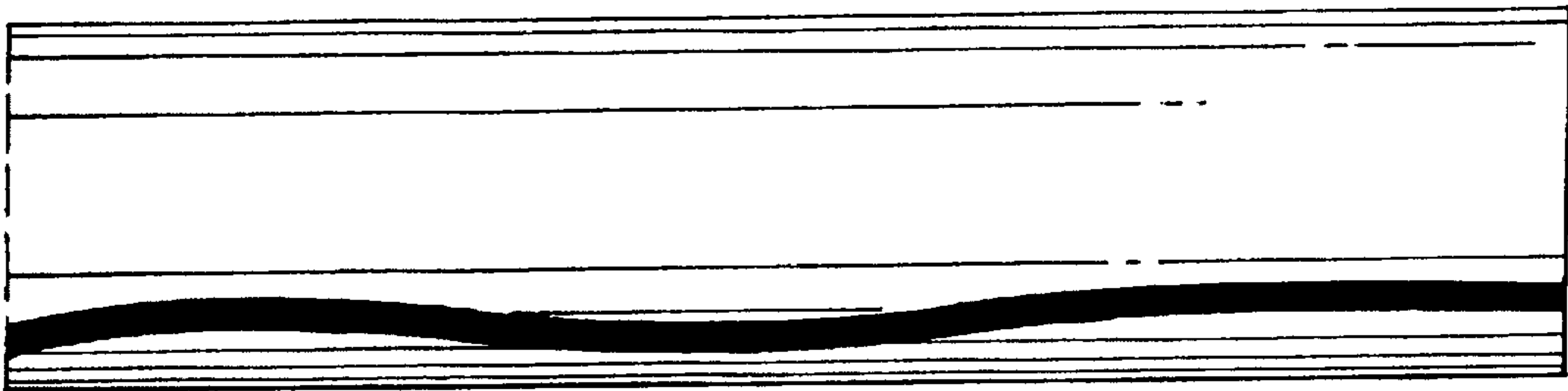
**FIG. 8**



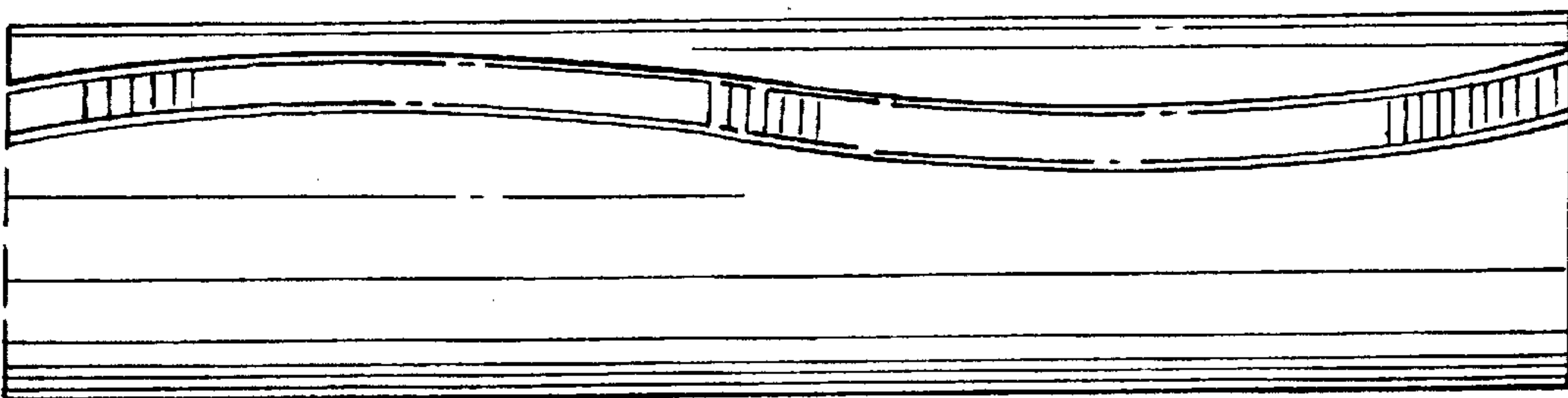
**FIG. 9**



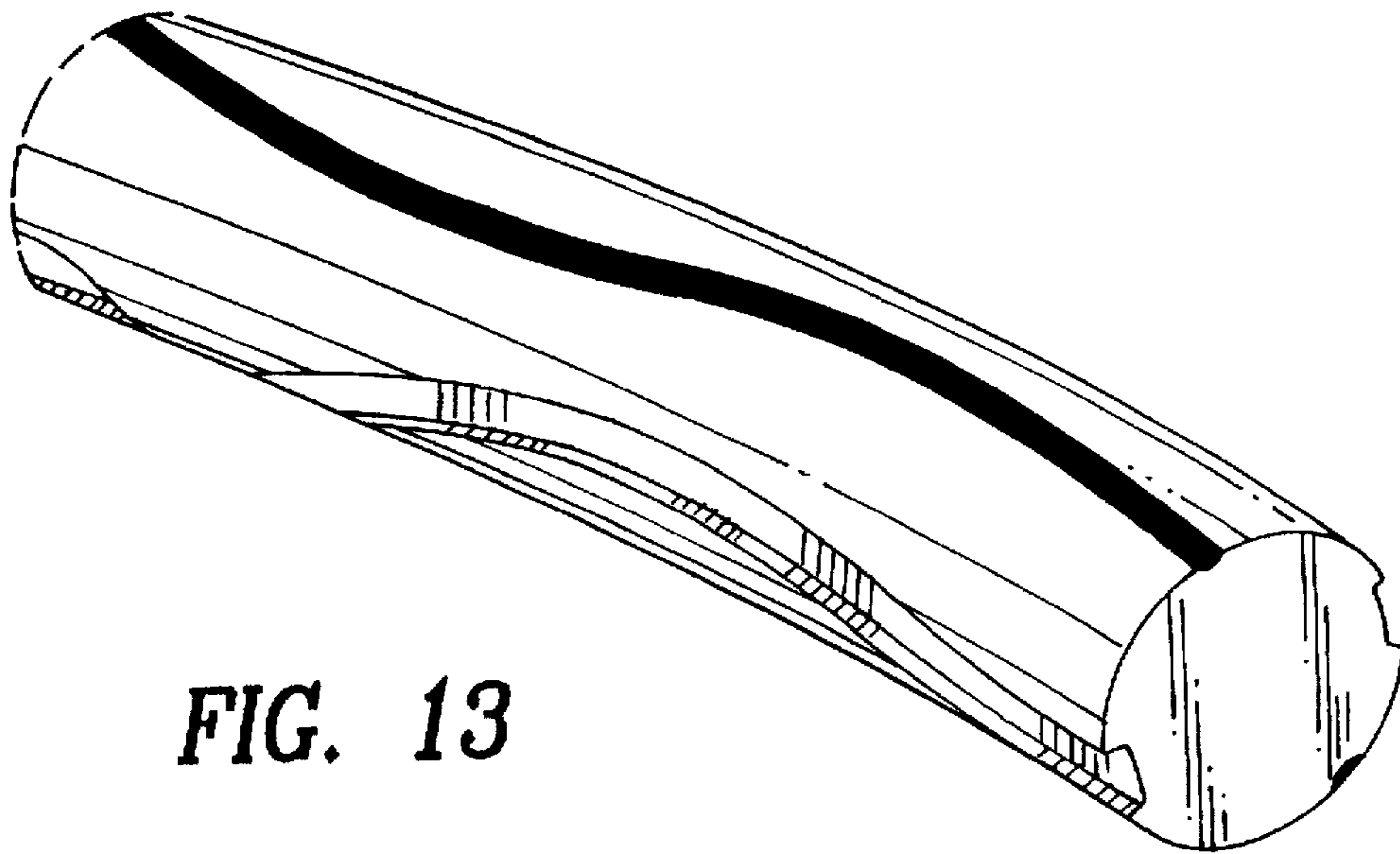
*FIG. 10*



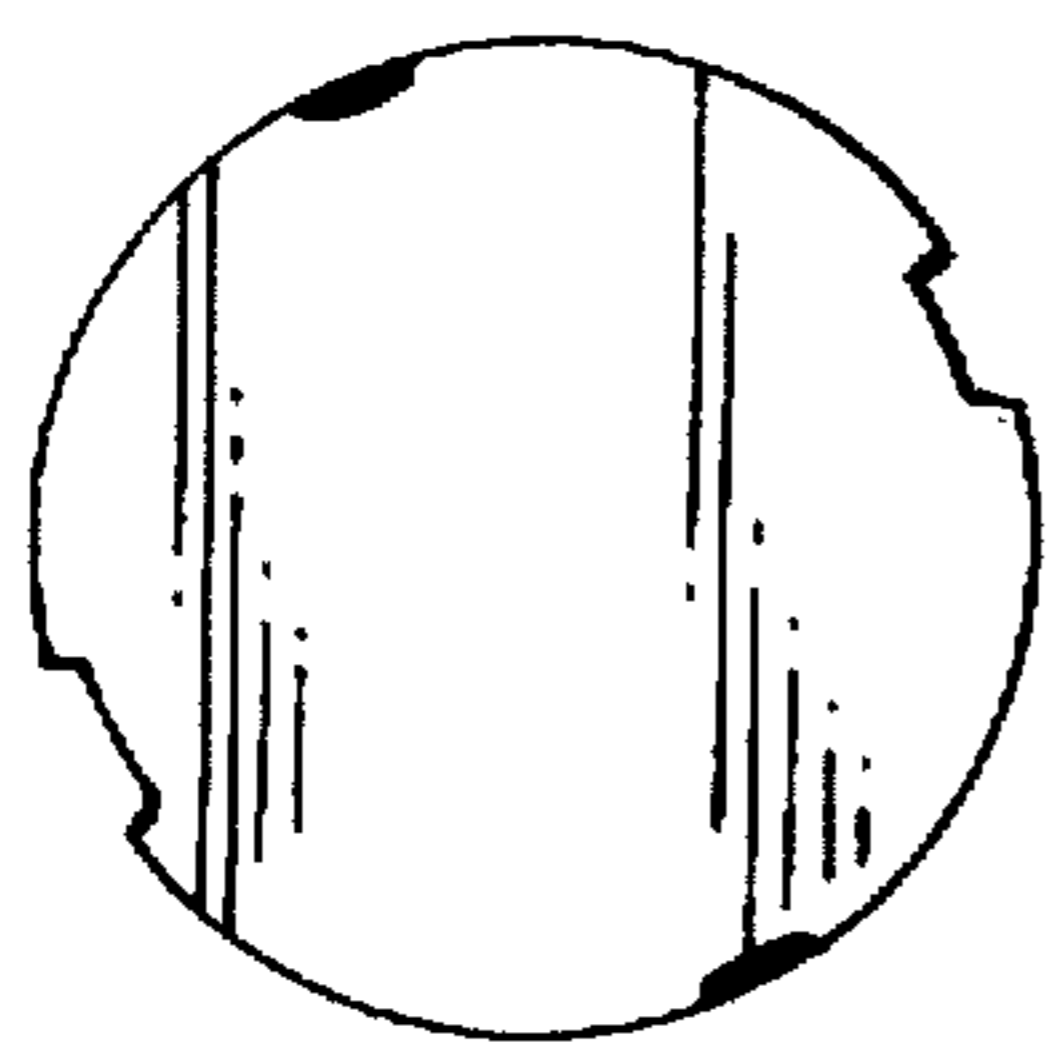
*FIG. 11*



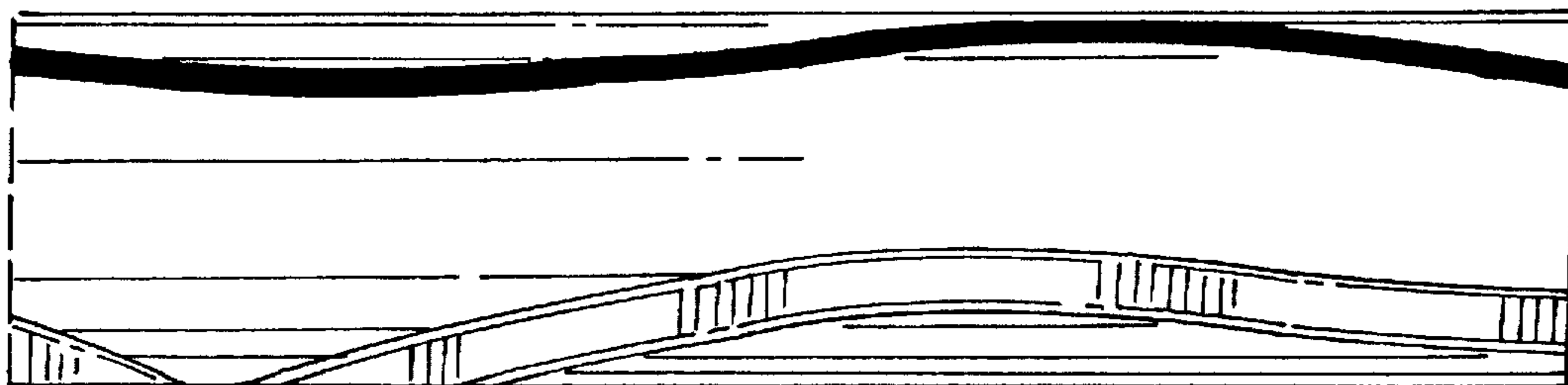
*FIG. 12*



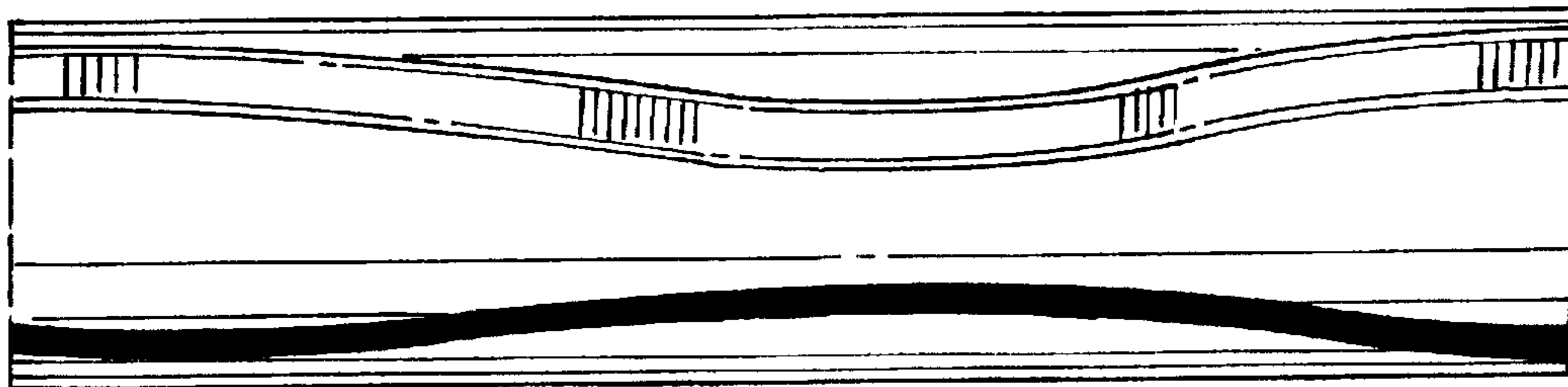
**FIG. 13**



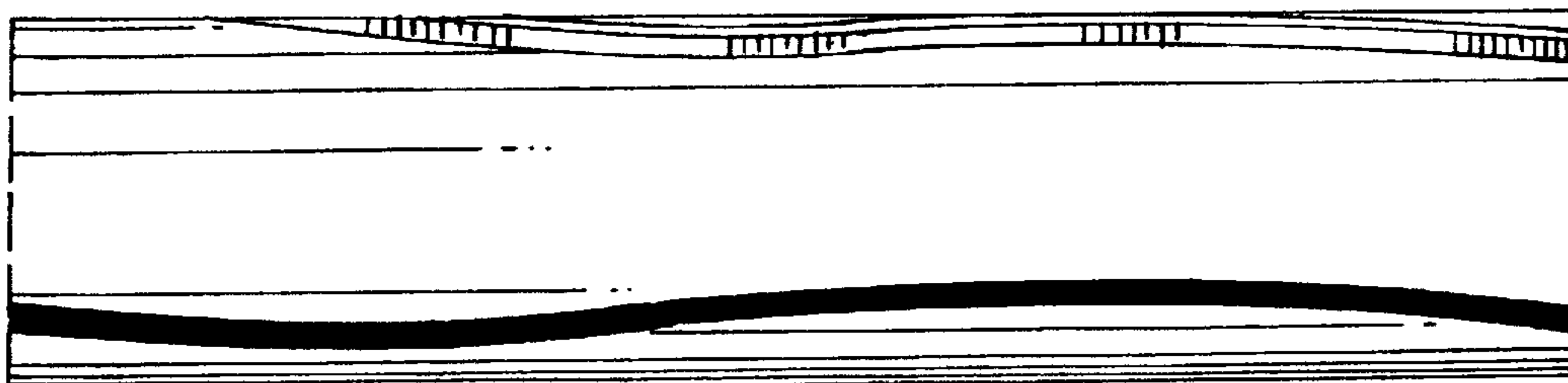
**FIG. 14**



**FIG. 15**



*FIG. 16*

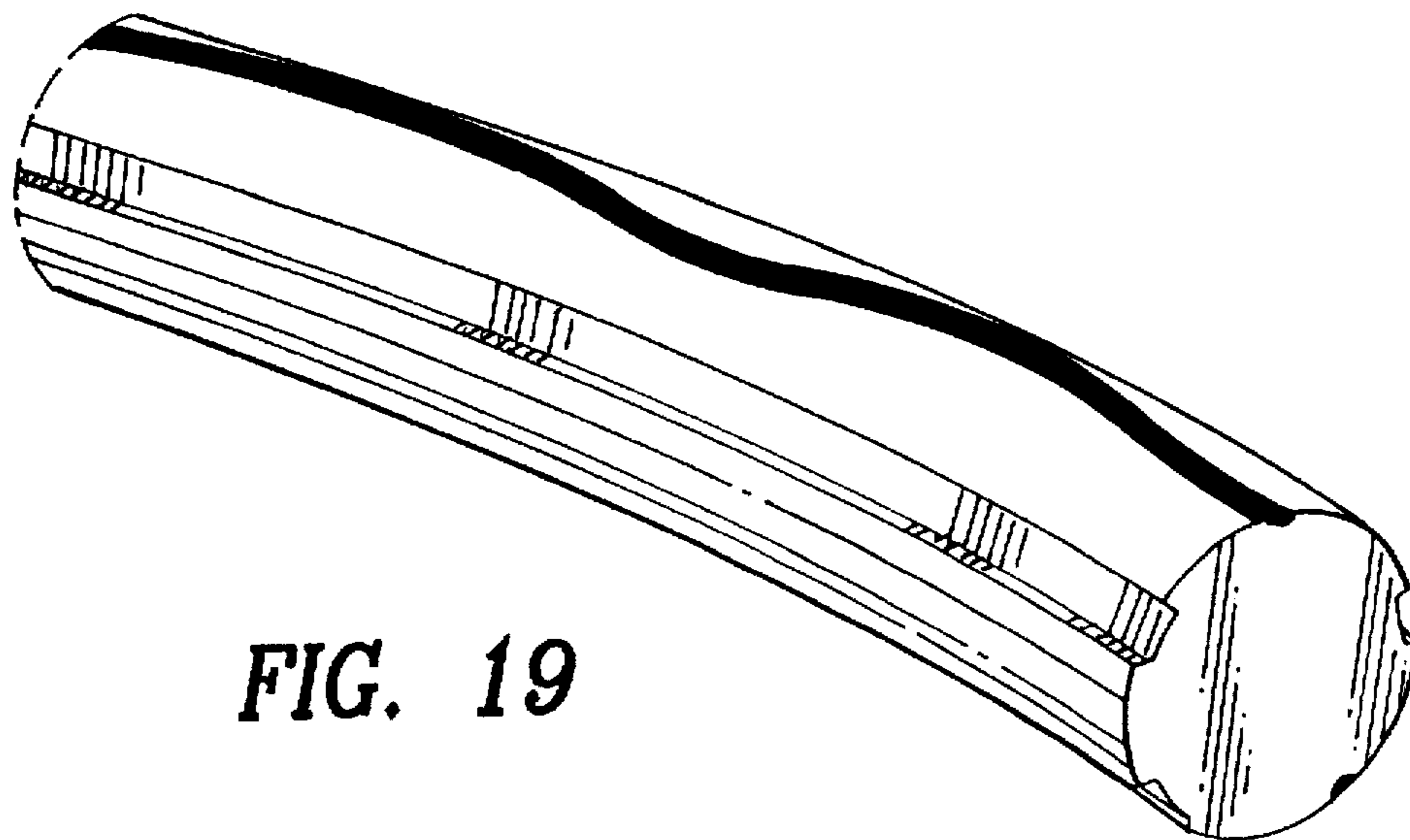


*FIG. 17*

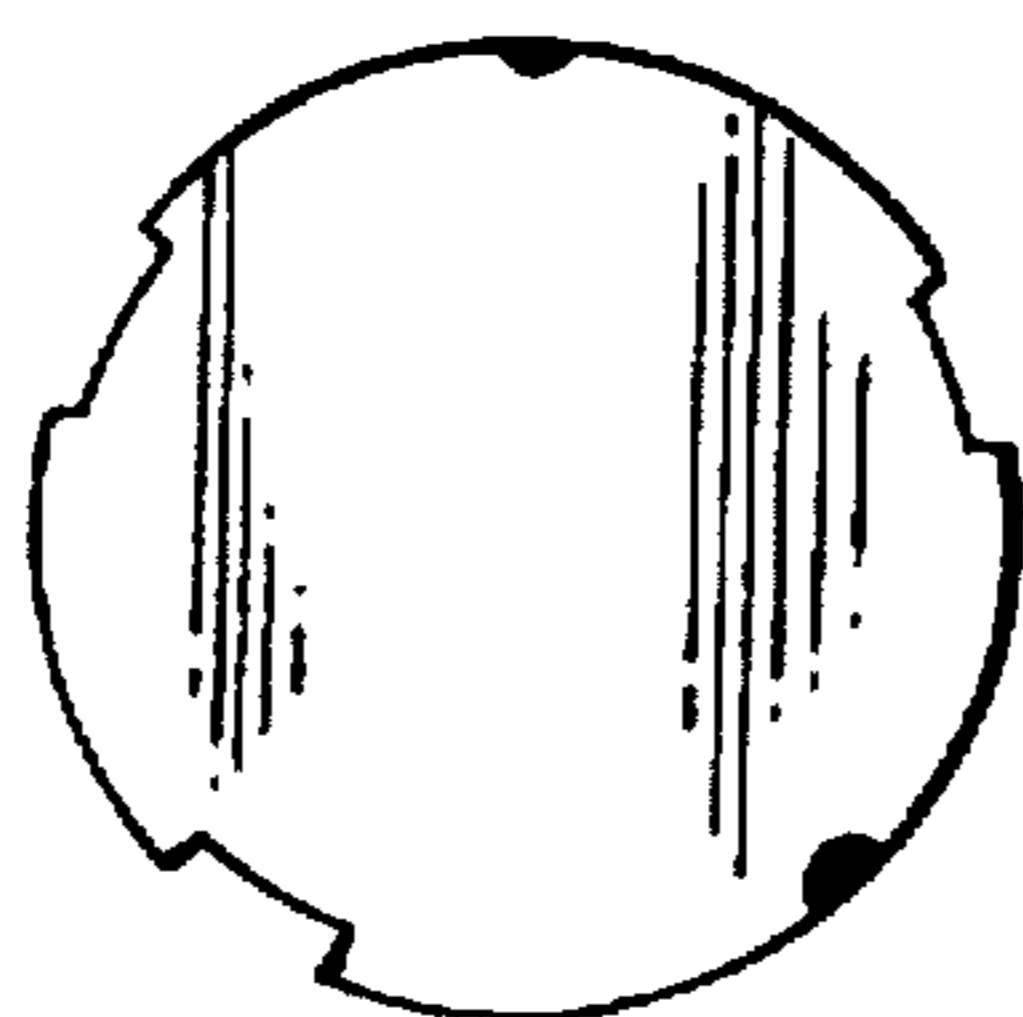


*FIG. 18*

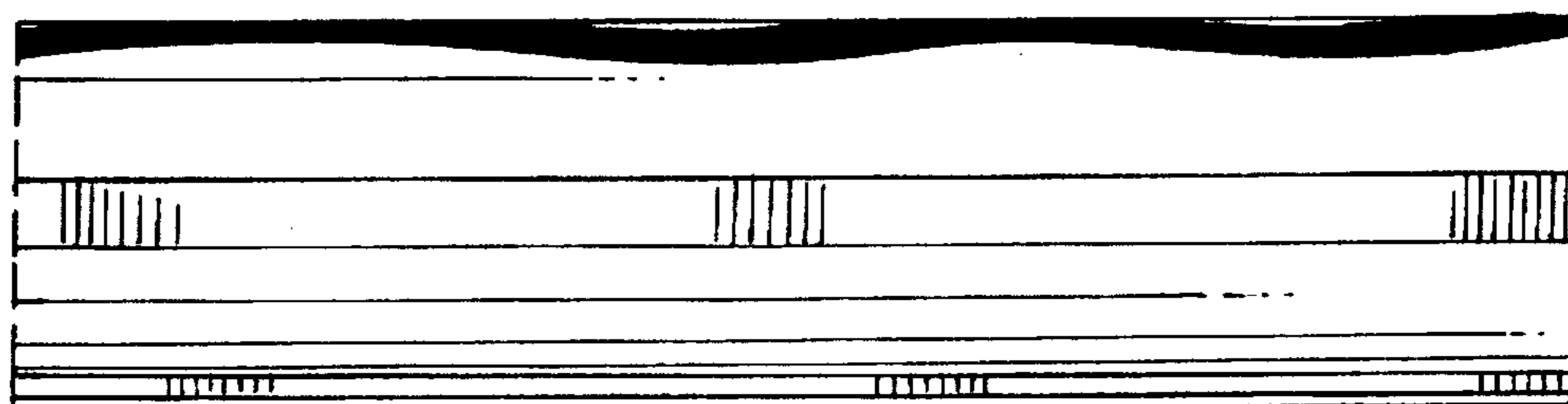




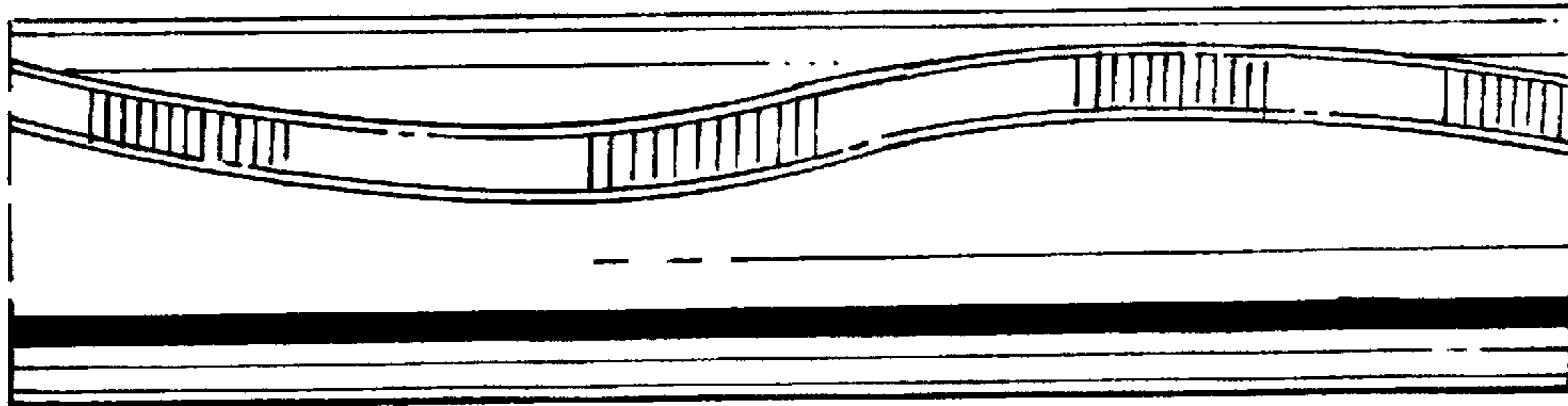
**FIG. 19**



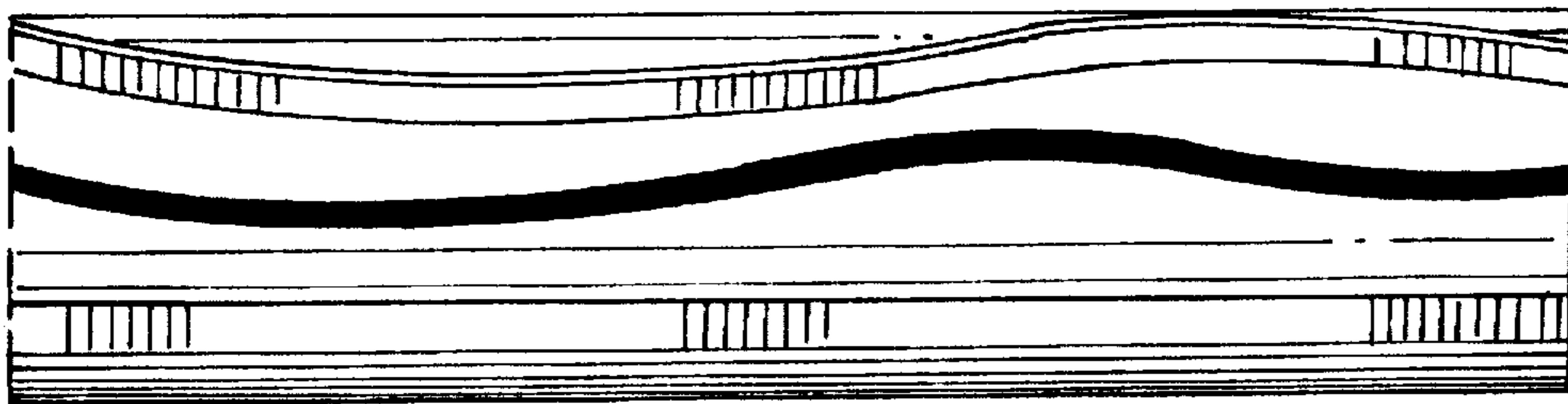
**FIG. 20**



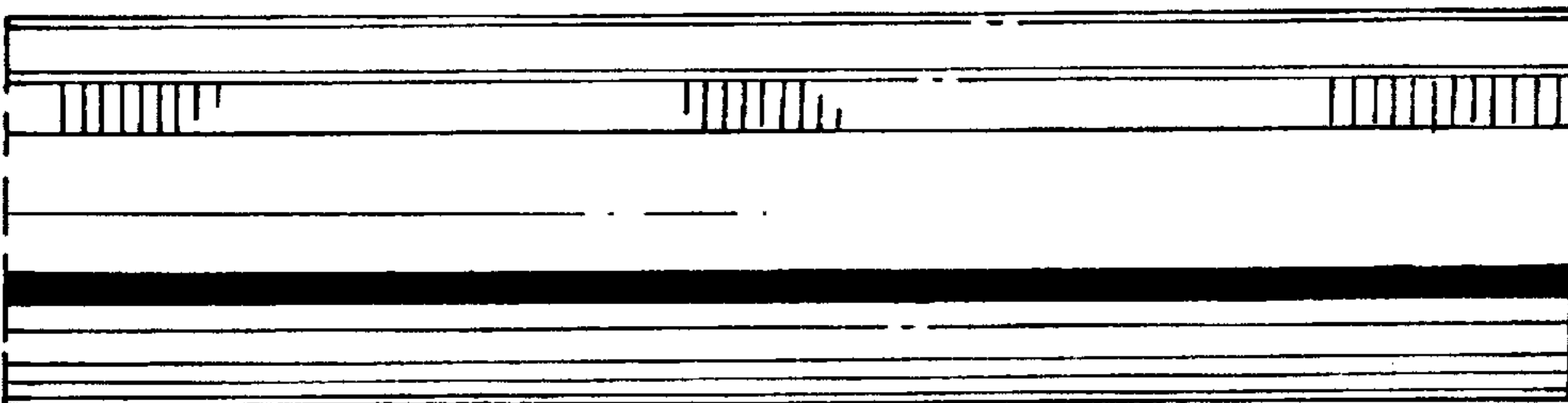
**FIG. 21**



*FIG. 22*



*FIG. 23*



*FIG. 24*

UNITED STATES PATENT AND TRADEMARK OFFICE  
**CERTIFICATE OF CORRECTION**

PATENT NO. : DES. 395,171

DATED : June 16, 1998

INVENTOR(S) : Schwartz

It is certified that error appears in the above-identified patent and that said Letters Patent is hereby corrected as shown below:

On the Title Page, in the Description, line 34 "FIG. 22 is a top plan view;"  
should read -- FIG. 22 is a rear elevational view;--.

Signed and Sealed this  
Thirteenth Day of October 1998

*Attest:*



BRUCE LEHMAN

*Attesting Officer*

*Commissioner of Patents and Trademarks*