



US00D395169S

United States Patent [19]
Yang

[11] **Patent Number:** **Des. 395,169**

[45] **Date of Patent:** ****Jun. 16, 1998**

[54] **PAINT BRUSH**

4,219,899 9/1980 Zurawin et al. 15/210.1 X
4,658,461 4/1987 Roe et al. 15/210.1

[75] **Inventor:** **Wu-Tsang Yang, Taipei, Taiwan**

Primary Examiner—Alan P. Douglas
Assistant Examiner—Lavone D. Tabor
Attorney, Agent, or Firm—Brooks & Kushman P.C.

[73] **Assignee:** **Safeguard Enterprise Co., Ltd., Taipei, Taiwan**

[**] **Term:** **14 Years**

[57] **CLAIM**

[21] **Appl. No.:** **77,364**

The ornamental design for paint brush, as shown and described.

[22] **Filed:** **Sep. 17, 1997**

DESCRIPTION

[51] **LOC (6) Cl.** **04-04**

FIG. 1 is a perspective view of paint brush showing my new design;

[52] **U.S. Cl.** **D4/137; D4/132**

FIG. 2 is a front elevational view thereof;

[58] **Field of Search** **D4/132, 137; 15/114,**

FIG. 3 is a rear elevational view thereof;

15/145, 159.1, 176.1, 176.6, 209.1, 210.1

FIG. 4 is a left side elevational view thereof;

[56] **References Cited**

FIG. 5 is a right side elevational view thereof;

U.S. PATENT DOCUMENTS

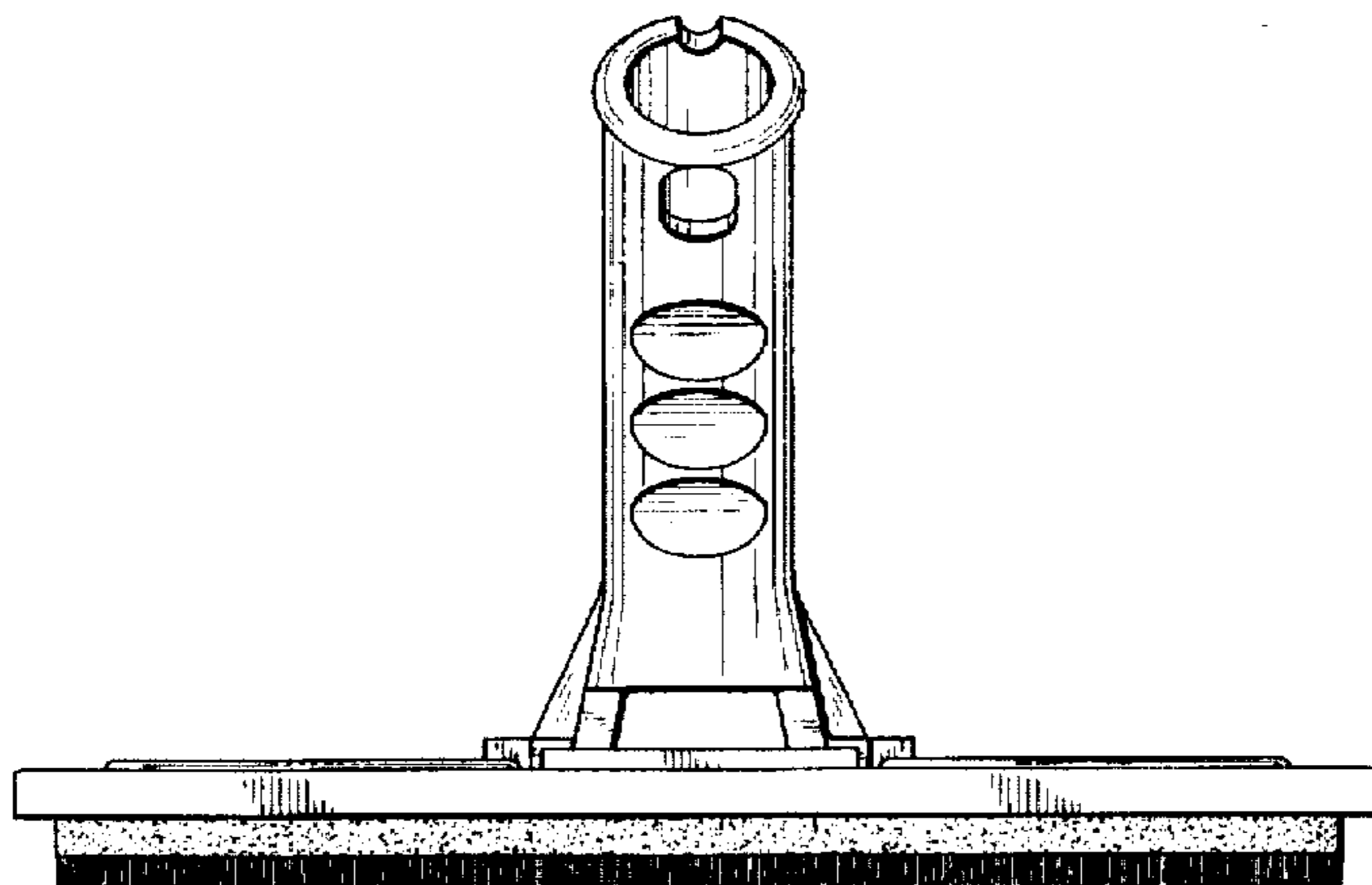
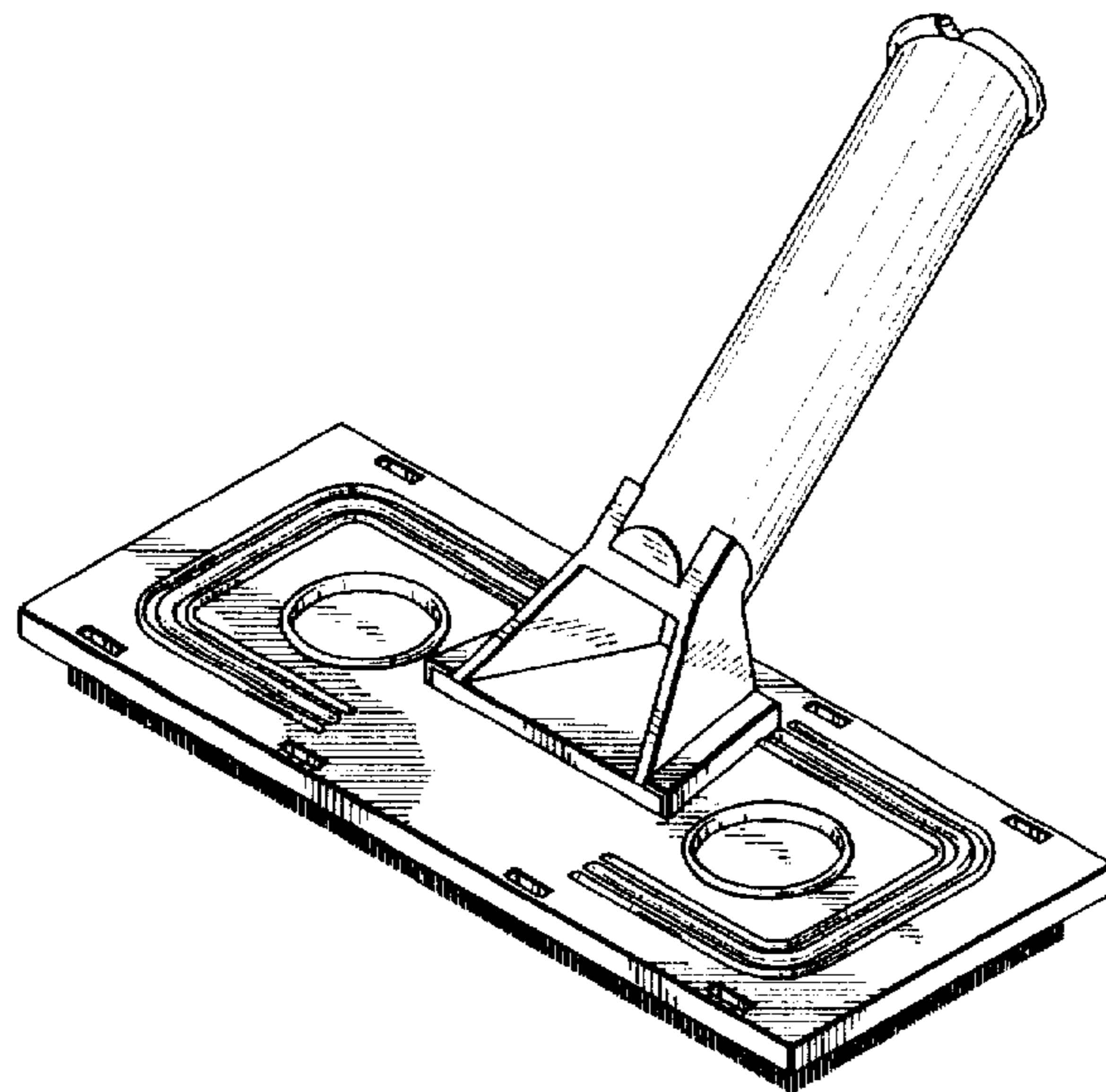
FIG. 6 is a top plan view thereof; and,

D. 249,821 10/1978 Cooke et al. D4/137

FIG. 7 is a bottom plan view thereof.

4,127,911 12/1978 Cupp et al. 15/210.1

1 Claim, 5 Drawing Sheets



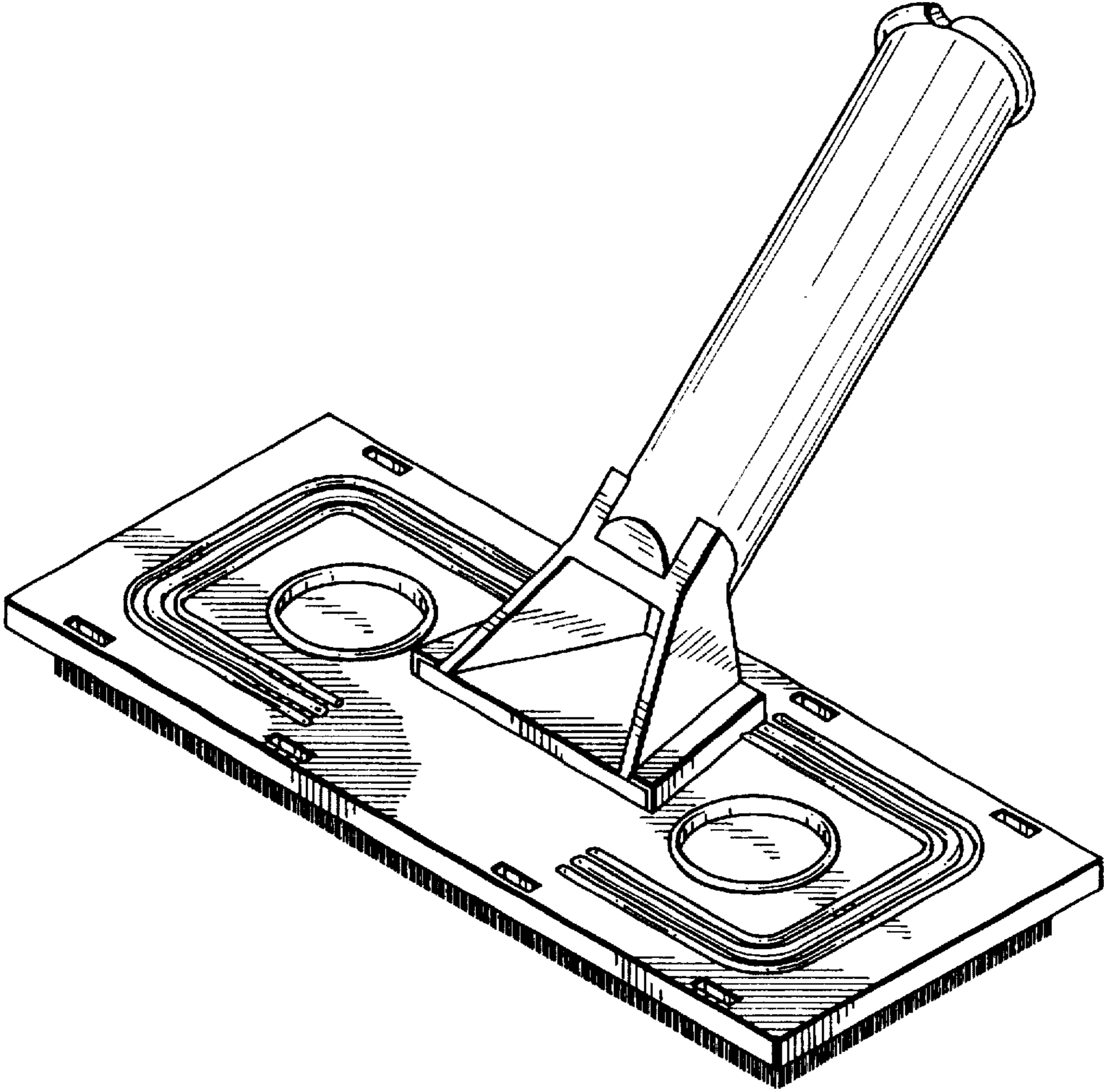


FIG. 1

FIG. 2

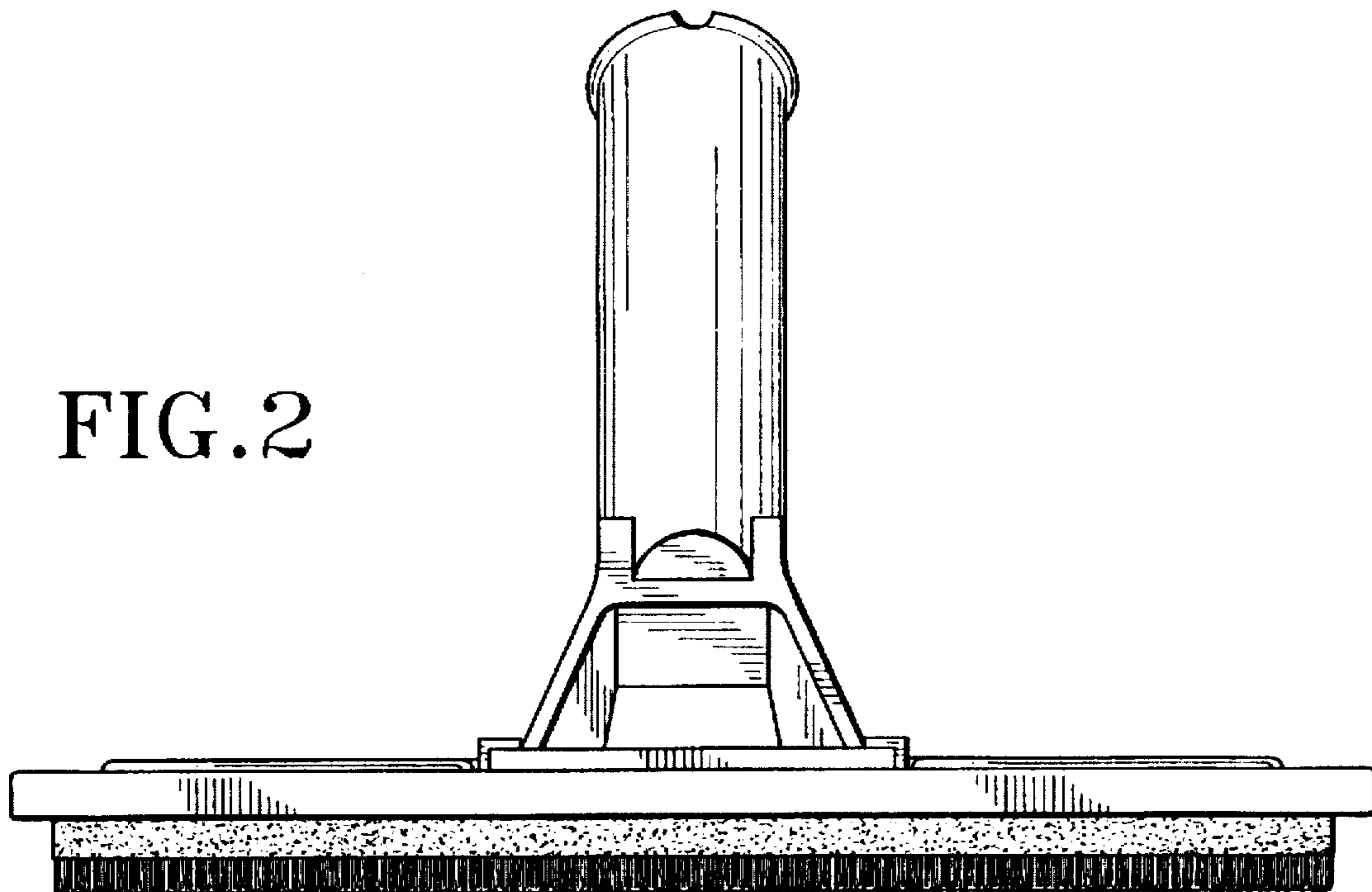
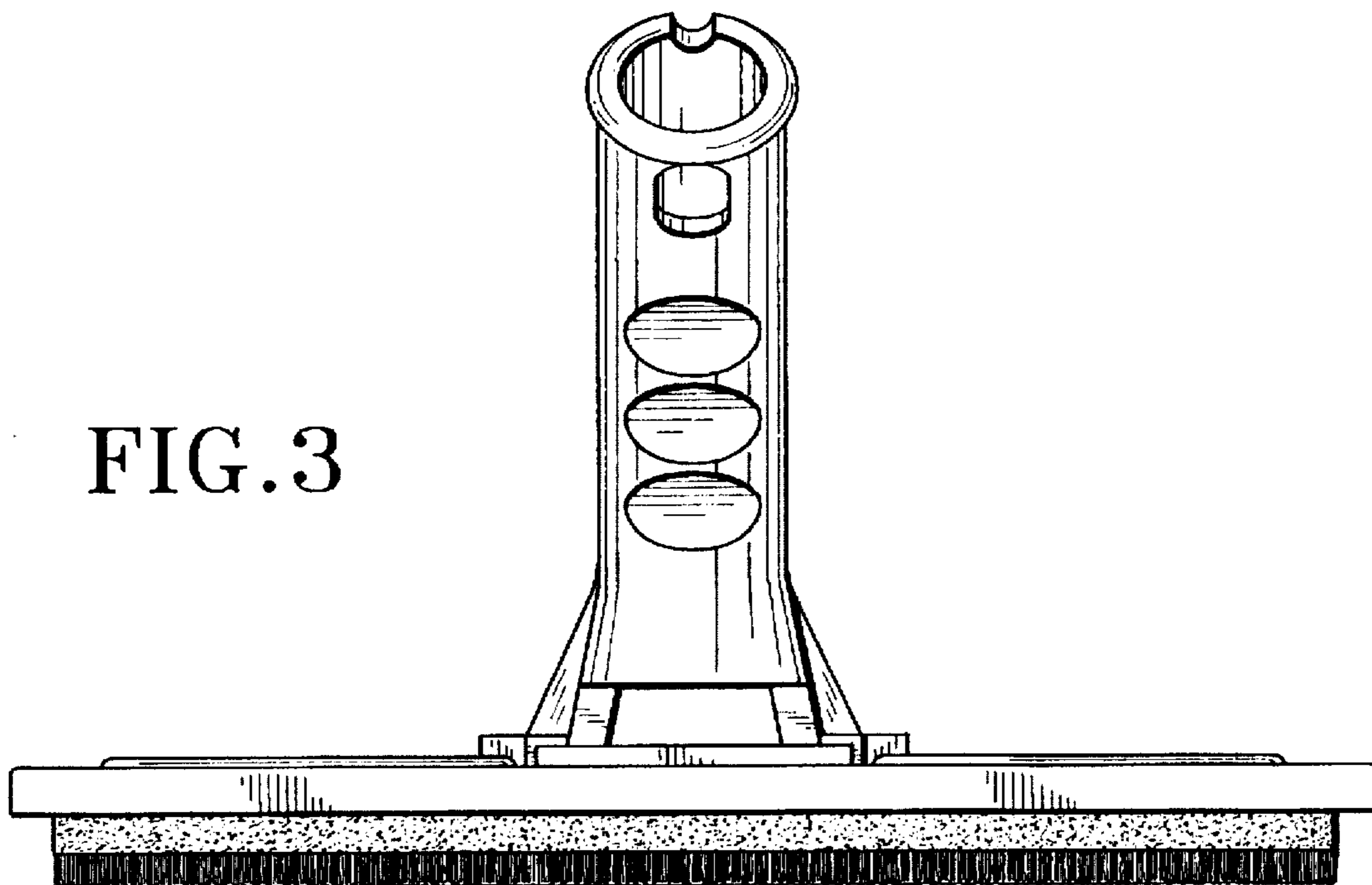
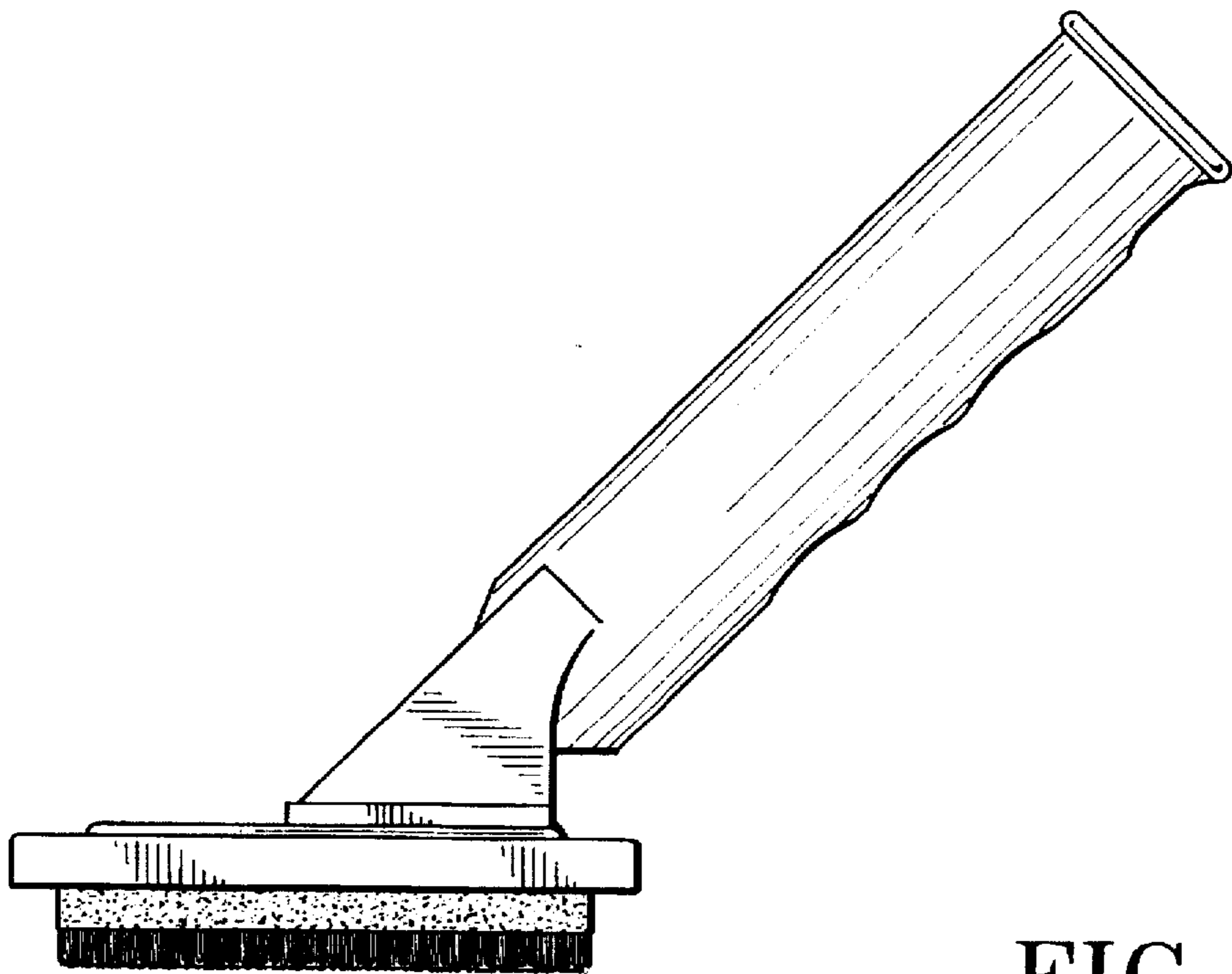
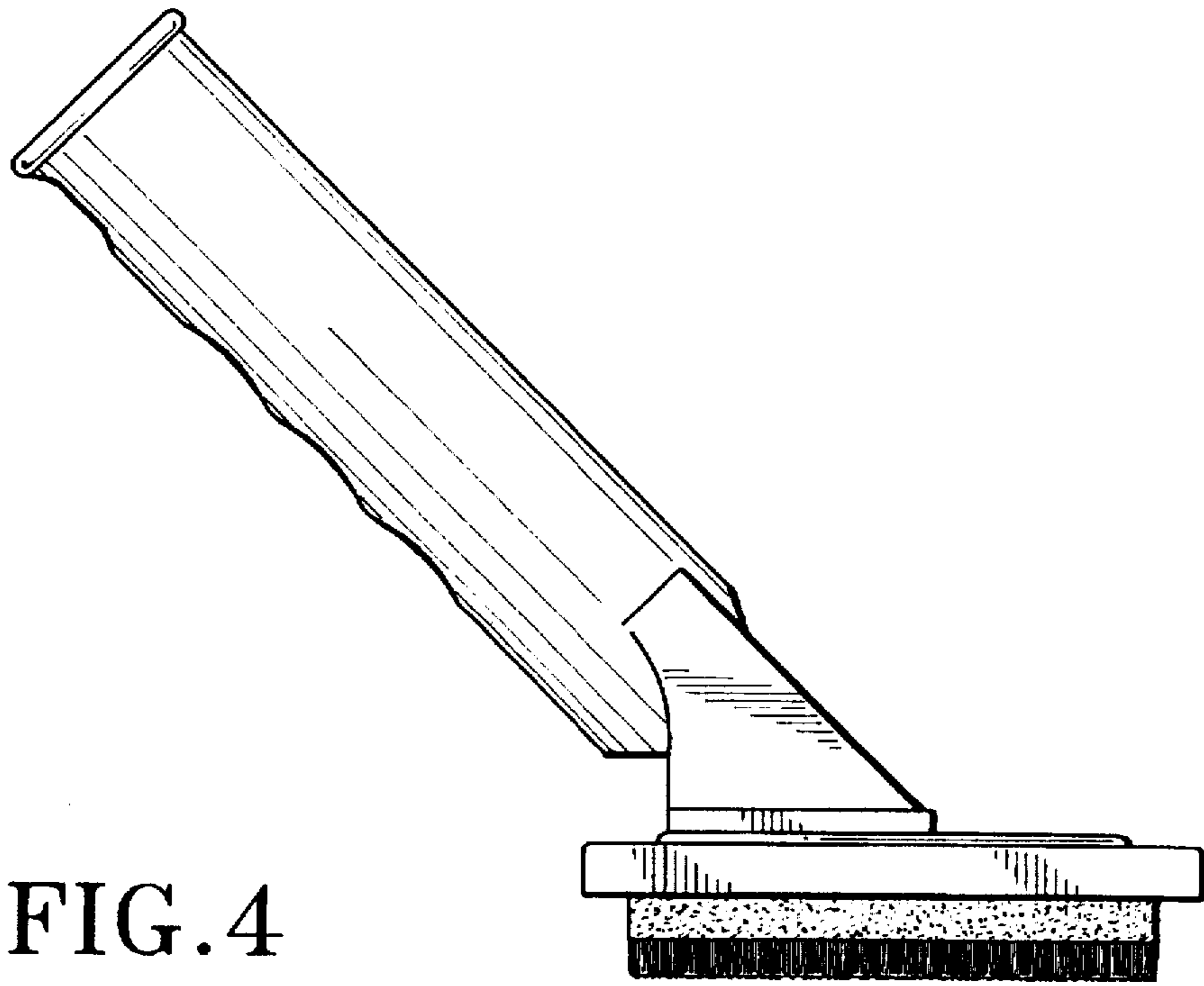


FIG. 3





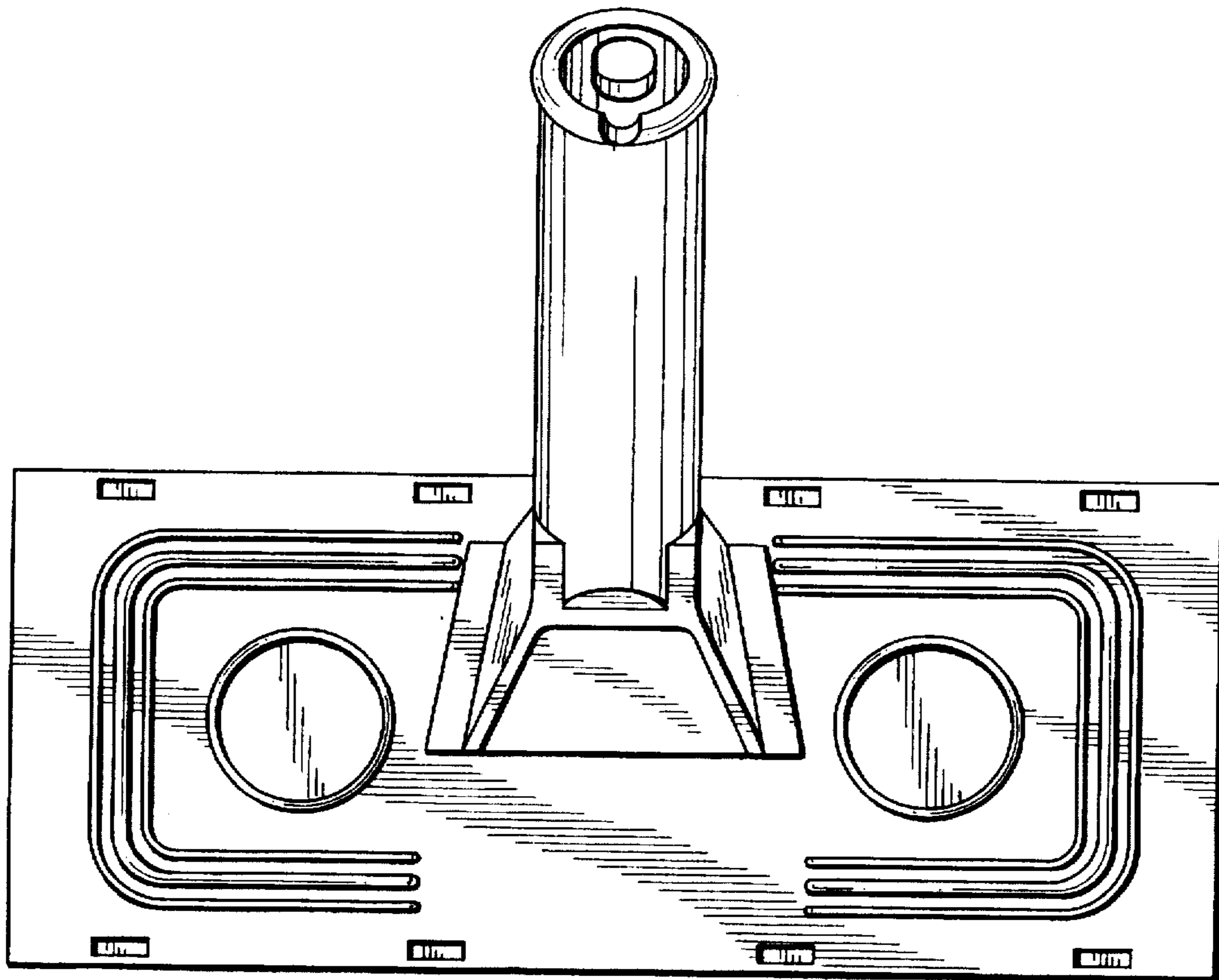


FIG. 6

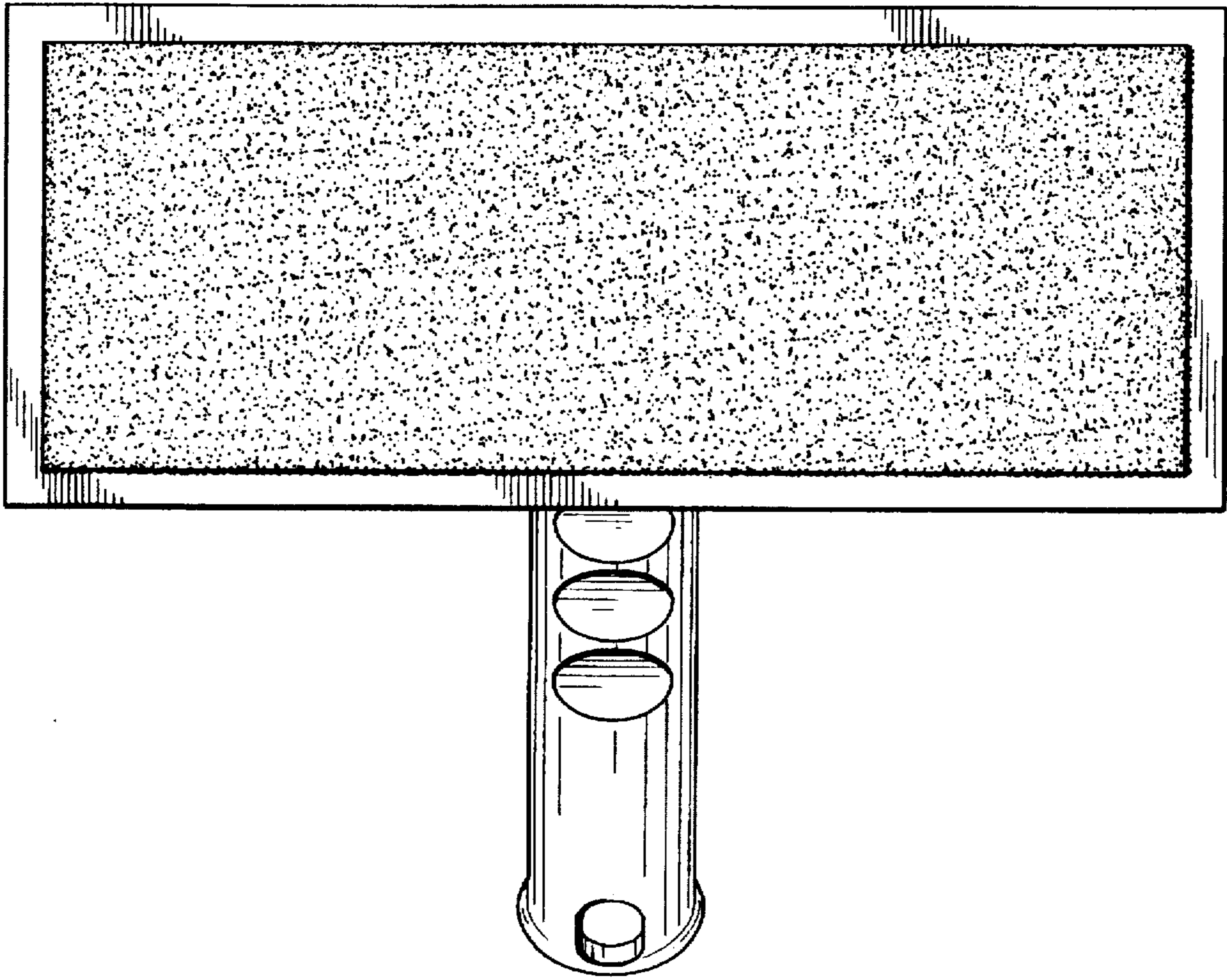


FIG. 7